

modern verve®

2909 16th Ave. S., Seattle, WA. 98144
(206) 265-2844
sales@modernverve.com
www.modernverve.com

Like musical notes traveling across open ceiling spaces, this beautiful light exhilarates and celebrates the experience of any space. Handcrafted in Seattle, Washington.

Stock Number - FLEW2-23AB52

Designer - Shea Bajaj

Materials

Machined brass and aluminum with hand formed milk glass cylinders.

Lamping

(6) 120 volt 5 watt (30 watts total) E12 LED 3000 kelvin, 80 CRI, 15,000 hour, 500 lumens each lamp. Lamps included. Fully dimmable & re-lampable. 2700 kelvin lamps & 240 or 277 volt options available.

Certifications

UL & cUL Listed. Rated for dry locations and noncombustible surfaces.

Finish options

- Brushed nickel w/ milk glass.
- Brushed black w/ milk glass.
- Brushed brass w/ milk glass.
- Custom finishes and mixed finishes available upon request.

Size

36" standard stem can be field adjusted. Longer custom stem lengths available.

Canopy - 5" diameter.

Linear canopy option available.

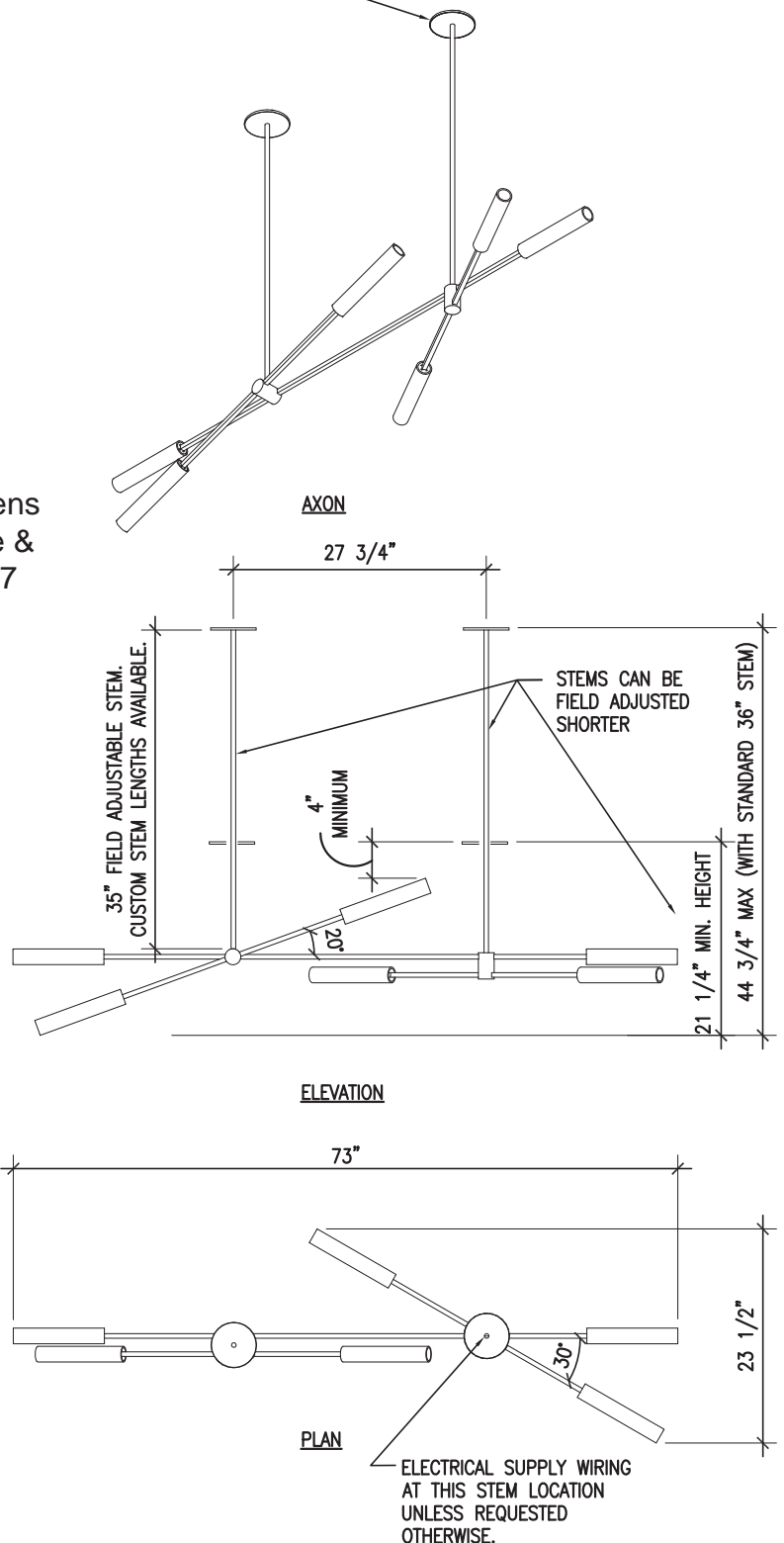
Weight - 25 pounds, 35 pounds in brass.

Availability

6 to 8 weeks. See Terms and Conditions

Flute Series Endless Wand Fixture FLEW2-23AB52 LED

ONLY (1) ELECTRICAL SUPPLY NEEDED.
ELECTRICAL SUPPLY WIRING WILL BE
AT THIS STEM LOCATION UNLESS
REQUESTED OTHERWISE.



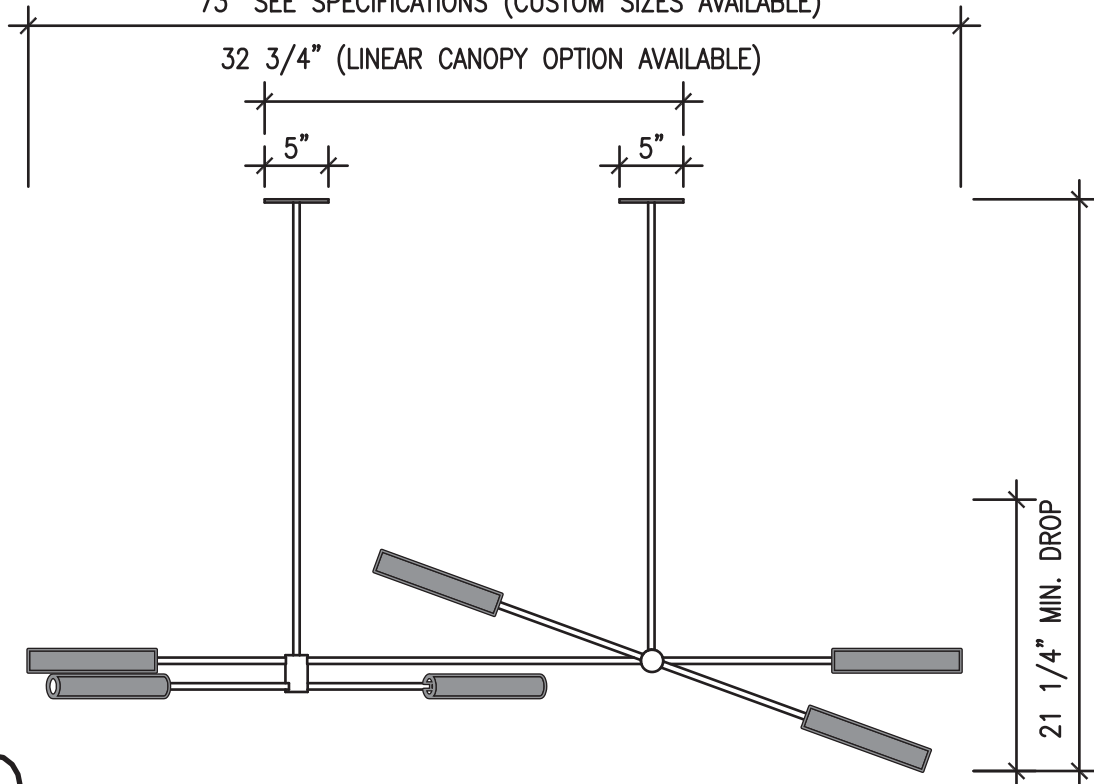
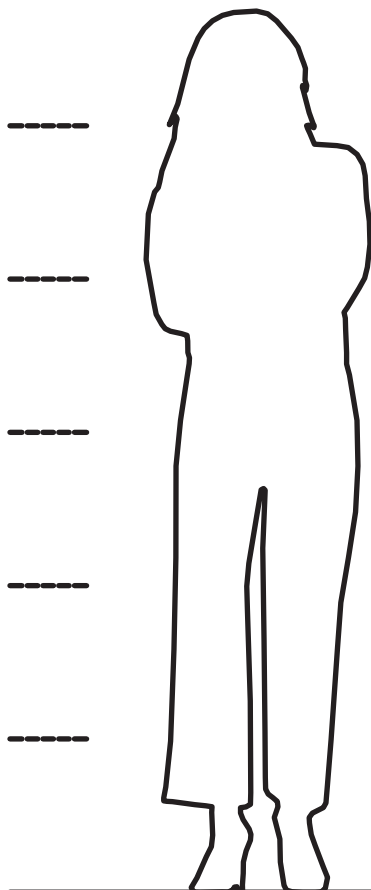
73" SEE SPECIFICATIONS (CUSTOM SIZES AVAILABLE)

32 3/4" (LINEAR CANOPY OPTION AVAILABLE)

9'-0"

8'-0"

7'-0"



21 1/4" MIN. DROP

44 3/4" W/ STEMS SUPPLIED (CUSTOM LENGTHS AVAILABLE)

Flute Series Endless
Wand LED Fixture

Model Number;
FLEW2-23AB52

modern verve
lighting
seattle, wa. USA
www.modernverve.com
design copyright;
modern verve