

modern verve®

2909 16th Ave. S., Seattle, WA. 98144
(206) 265-2844
sales@modernverve.com
www.modernverve.com

Like musical notes traveling across open ceiling spaces, this beautiful light exhilarates and celebrates the experience of any space. Handcrafted in Seattle, Washington.

Stock Number - FL3-HS

Designer - Shea Bajaj

Materials

Machined brass and aluminum with hand formed milk glass cylinders.

Lamping

(12) 120 volt 5 watt (60 watts total) E12 LED 3000 kelvin, 80 CRI, 15,000 hour, 500 lumens each lamp (equivalent to a 40 watt incandescent light bulb each). Lamps included. Fully dimmable & re-lampable. 2700 kelvin lamps, 240 volt & 277 volt version available.

Certifications

UL & cUL Listed for dry locations.

Finish options

- Brushed nickel w/ milk glass (standard).
- Brushed black w/ milk glass (standard).
- Brushed brass w/ milk glass (custom).
- Custom finishes available upon request.

Size

35" standard stem can be field adjusted shorter. Custom stem lengths and sizes available.

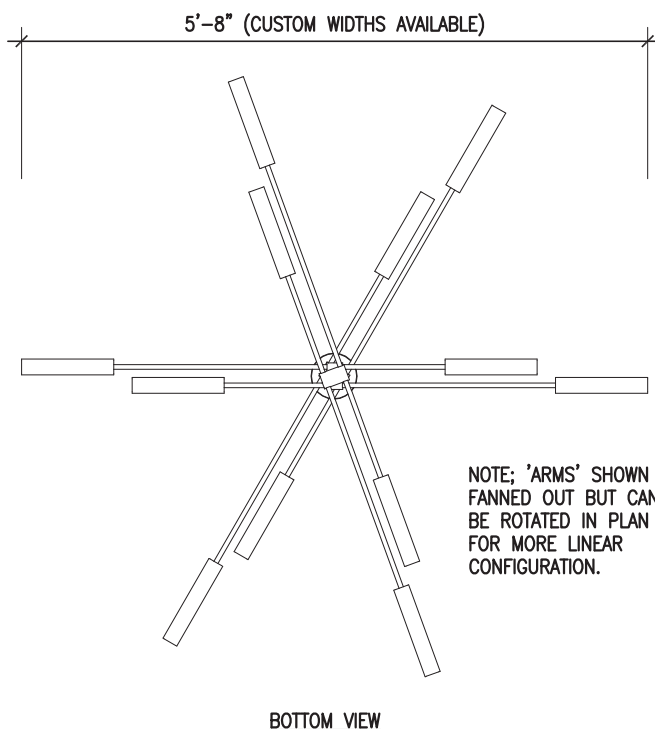
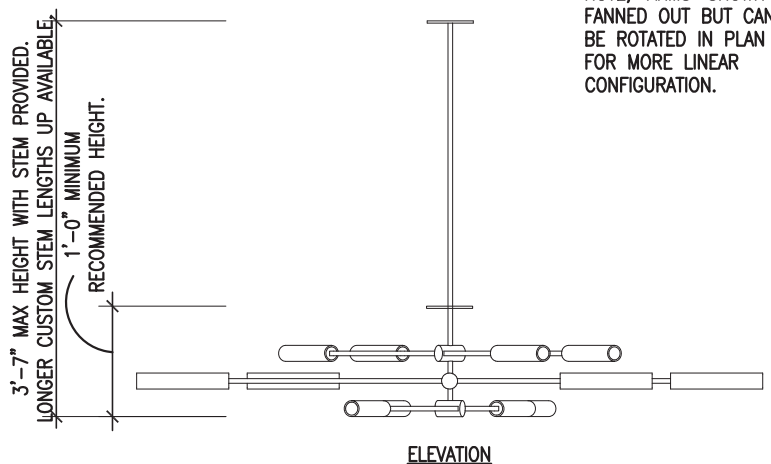
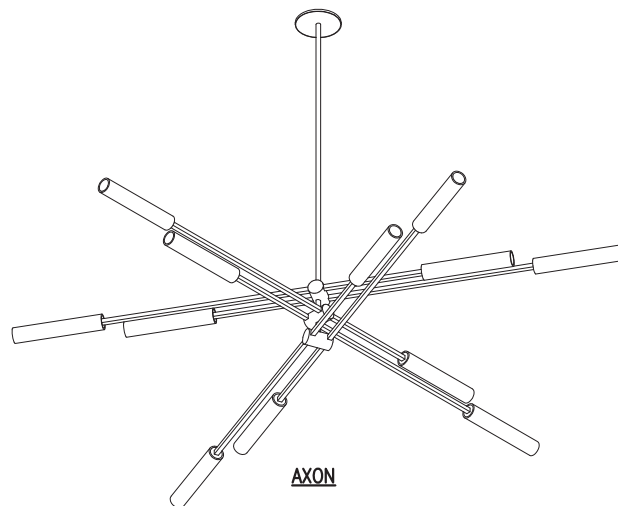
Canopy - 5" diameter.

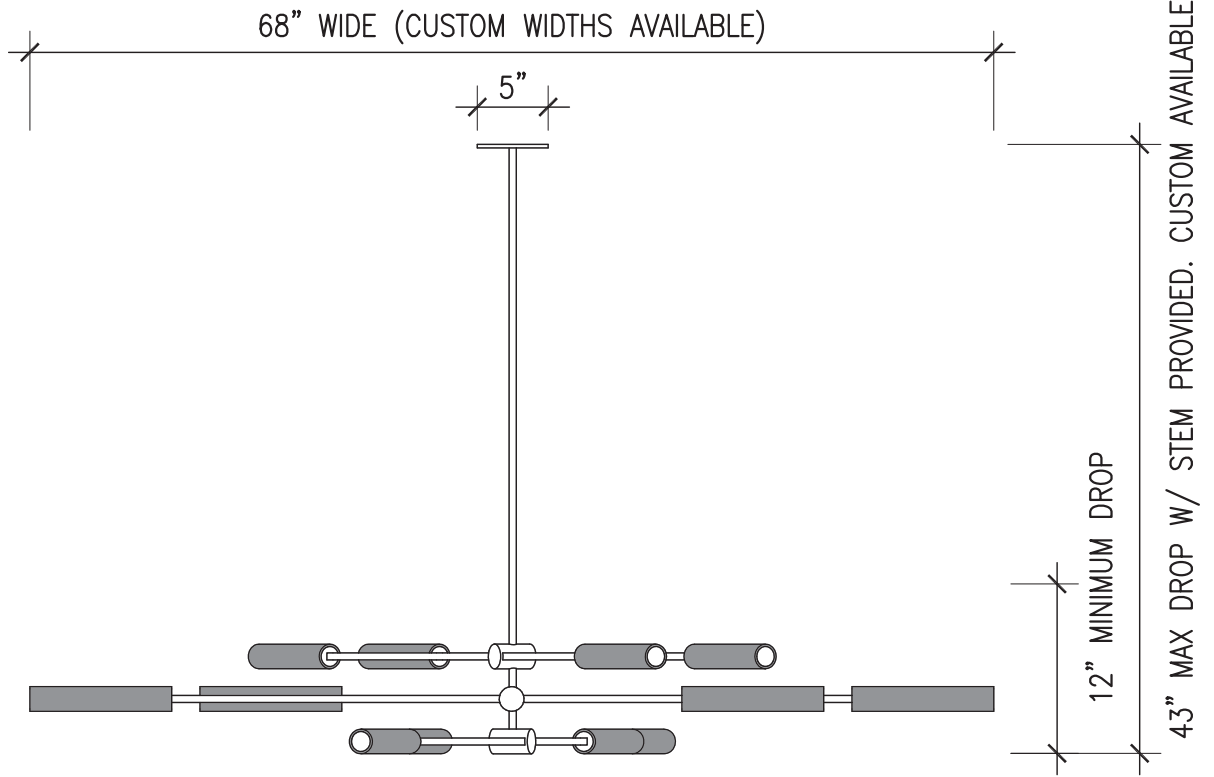
Weight - 25 pounds

Availability

6 to 8 weeks. See Terms and Conditions

Flute Series Chandelier 3-HS LED





Flute Series
Chandelier
3-30 LED

Model Number;
FL3-30

modern verve
lighting
seattle, wa. USA
www.modernverve.com
design copyright;
modern verve