

# modern verve®

2909 16th Ave. S., Seattle, WA. 98144  
(206) 265-2844  
sales@modernverve.com  
www.modernverve.com

Like musical notes traveling across open ceiling spaces, this beautiful light exhilarates and celebrates the experience of any space. Handcrafted in Seattle, Washington.

Stock Number - FL3-30

Designer - Shea Bajaj

## Materials

Machined brass and aluminum with hand formed milk glass cylinders.

## Lamping

(12) 120 volt 5 watt (60 watts total) E12 LED 3000 kelvin, 80 CRI, 15,000 hour, 500 lumens each lamp. Lamps included. Fully dimmable & re-lampable. 2700 kelvin lamps & 240 or 277 volt options available.

## Certifications

UL & cUL Listed. Rated for dry locations and noncombustible surfaces.

## Finish options

- Brushed nickel w/ milk glass.
- Brushed black w/ milk glass.
- Brushed solid brass w/ milk glass.
- Custom finishes and mixed finishes available upon request.

## Size

36" standard stem can be field adjusted. Custom stem lengths available.

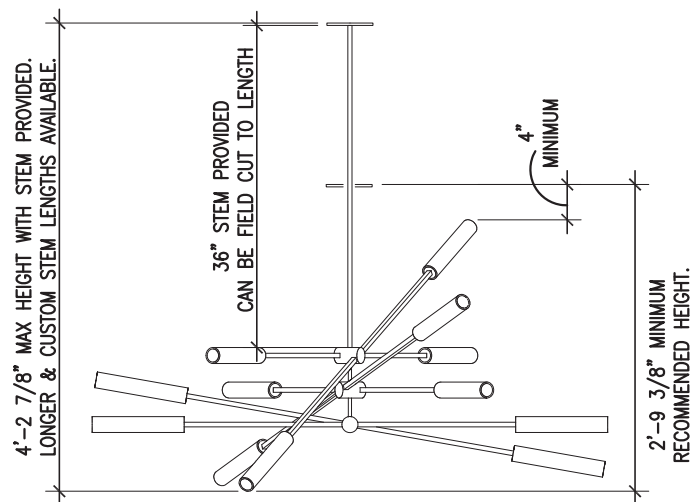
Canopy - 5" diameter.

Weight - 25 pounds, 35 pounds in brass.

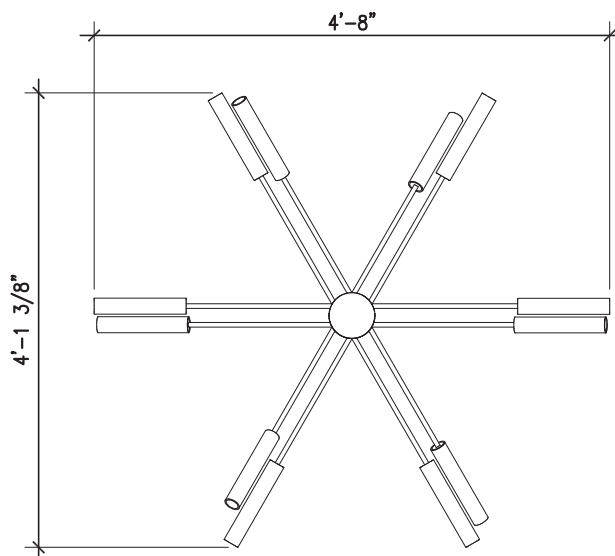
## Availability

6 to 8 weeks. See Terms and Conditions

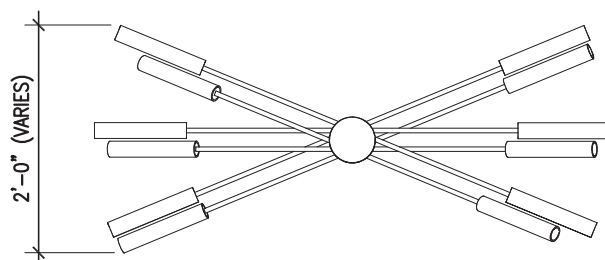
# Flute Series Chandelier 3-30 LED



ELEVATION



PLAN OPTION 1 - WANDS FULLY ROTATED



PLAN OPTION 2 - WANDS PARTIALLY ROTATED

