

modern verve®

2909 16th Ave. S., Seattle, WA. 98144
(206) 265-2844
sales@modernverve.com
www.modernverve.com

Like musical notes traveling across open ceiling spaces, this beautiful light exhilarates and celebrates the experience of any space. Handcrafted in Seattle, Washington.

Stock Number - FL2-HS

Designer - Shea Bajaj

Materials

Machined brass and aluminum with hand formed milk glass cylinders.

Lamping

(8) 120 volt 5 watt (40 watts total) E12 LED 3000 kelvin, 80 CRI, 15,000 hour, 500 lumens each lamp (equivalent to a 60 watt incandescent light bulb). Lamps included. Fully dimmable & re-lampable. 2700 kelvin lamps, 240 volt & 277 volt version available.

Certifications

UL & cUL Listed for dry locations.

Finish options

- Brushed nickel w/ milk glass (standard).
- Brushed black w/ milk glass (standard).
- Brushed brass w/ milk glass (custom).
- Custom finishes available upon request.

Size

35" standard stem can be field adjusted
Custom stem lengths available.

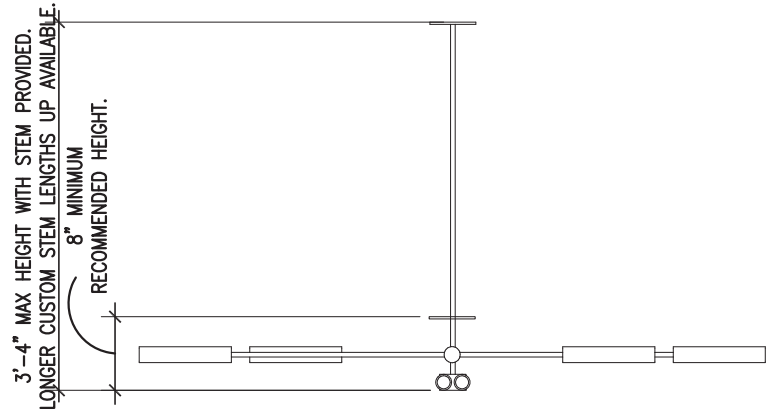
Canopy - 5" diameter.

Weight - 25 pounds

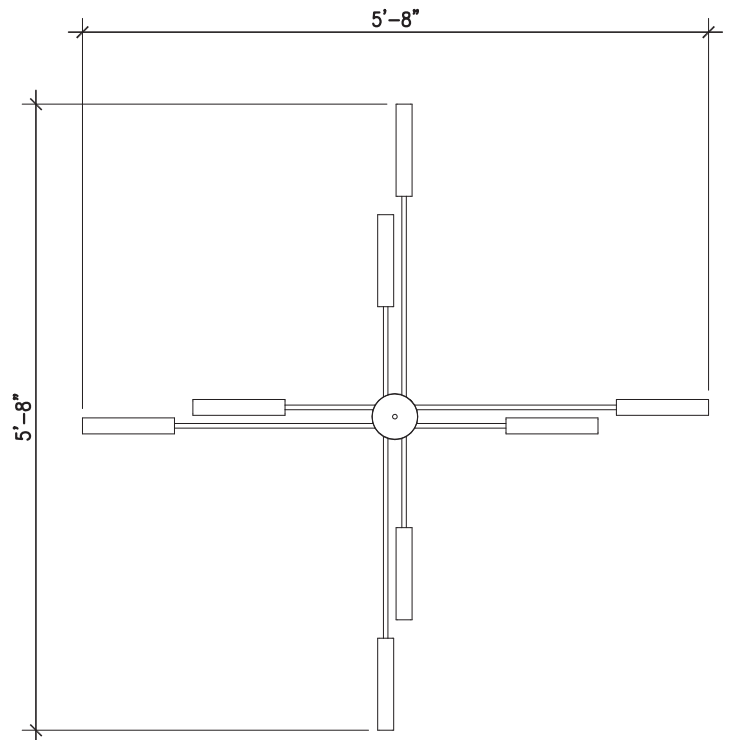
Availability

6 to 8 weeks. See Terms and Conditions

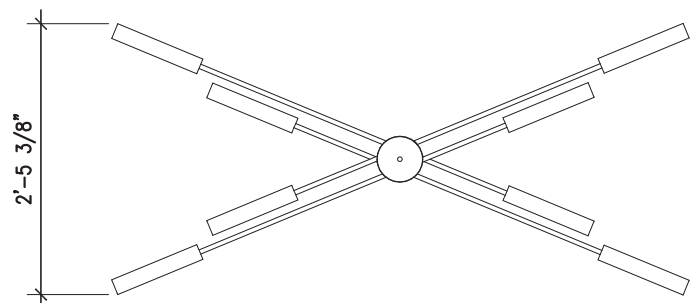
Flute Series Chandelier 2-HS LED



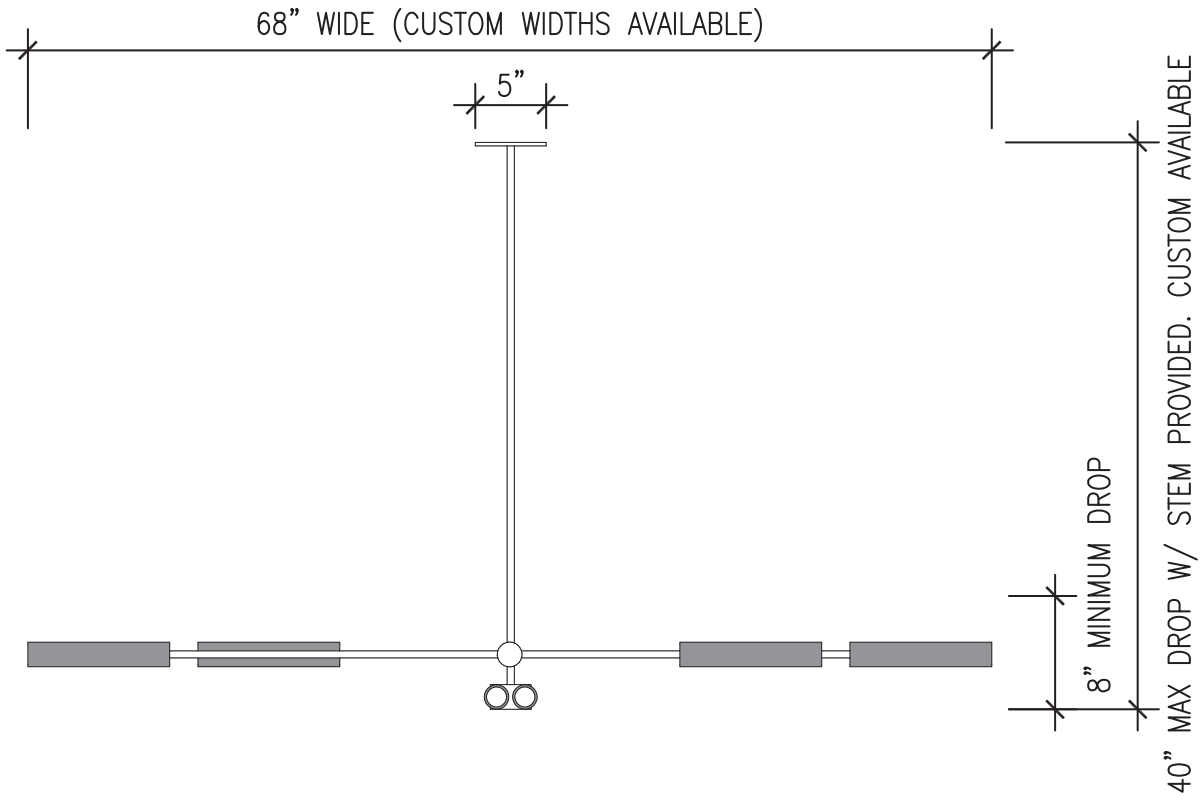
ELEVATION



PLAN OPTION 1 - WANDS FULLY ROTATED



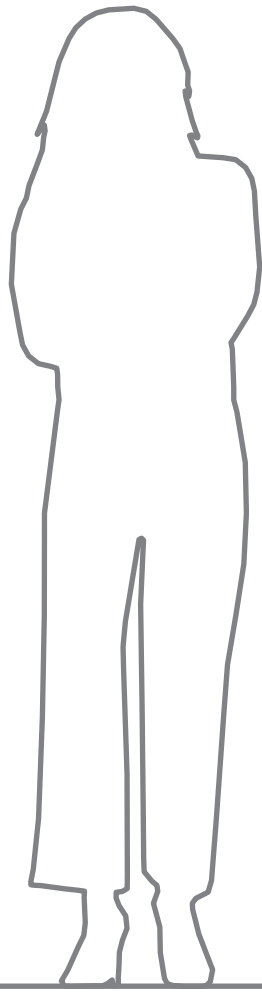
PLAN OPTION 2 - WANDS PARTIALLY ROTATED



8'-0"

7'-0"

6'-0"



Flute Series
Chandelier
2-HS LED

Model Number;
FL2-HS

modern verve
lighting
seattle, wa. usa
www.modernverve.com
design copyright;
modern verve