

# modern verve®

2909 16th Ave. S., Seattle, WA. 98144  
(206) 265-2844  
sales@modernverve.com  
www.modernverve.com

## Balance Series 48-3 LED fixture.

Mobile inspired branches of the balance fixture; create a sense of calm. The playful gesture of the two forms coming together in a delicate balance adds to any space as a visual focal point. Handcrafted in Seattle, Washington.

Stock Number - BLS 48-3

Designer - Shea Bajaj

### Materials

Machined brass and aluminum with hand crafted porcelain shades.

### Lamping

(3) 120 volt 4 watt (12 watts total) E26 LED 2700 kelvin, 80 CRI, 15,000 hour, 400 lumens each lamp. Lamps included. Fully dimmable and re-lampable. 240 volt version available upon request.

### Certifications

UL & cUL Listed for dry locations.

### Finish options

- Brushed nickel w/ white porcelain (standard).
- Brushed black w/ white porcelain (standard).
- Brushed bronze w/ white porcelain (custom).
- Polished nickel w/ white porcelain (custom).
- Brushed brass w/ white porcelain (custom).
- Oil rubbed bronze w/ white porcelain (custom).
- Brushed copper w/ white porcelain (custom).

### Size

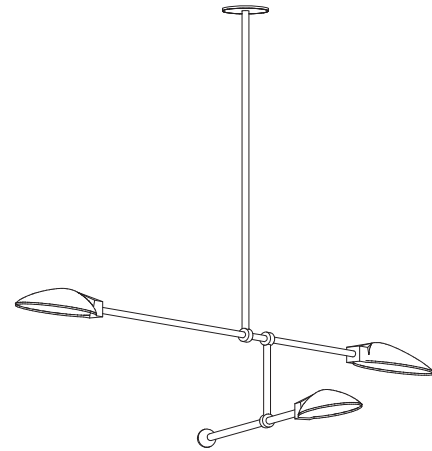
35" standard stem can be field adjusted  
Custom stem lengths available.

Canopy - 5" diameter.

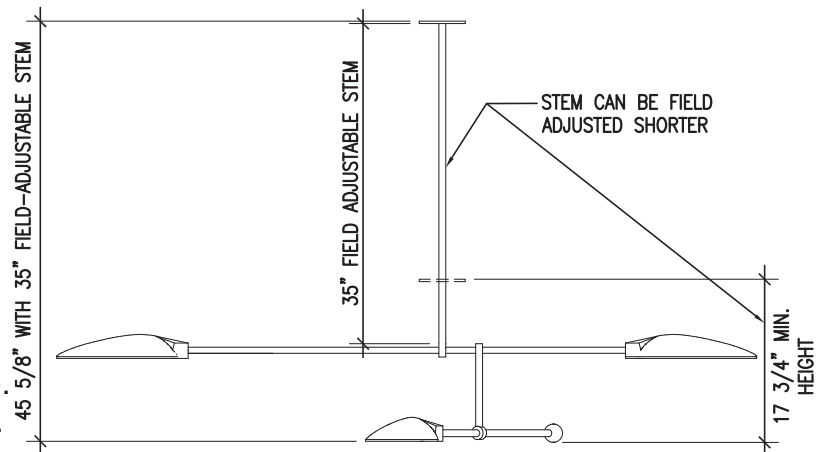
Weight - 20 pounds

### Availability

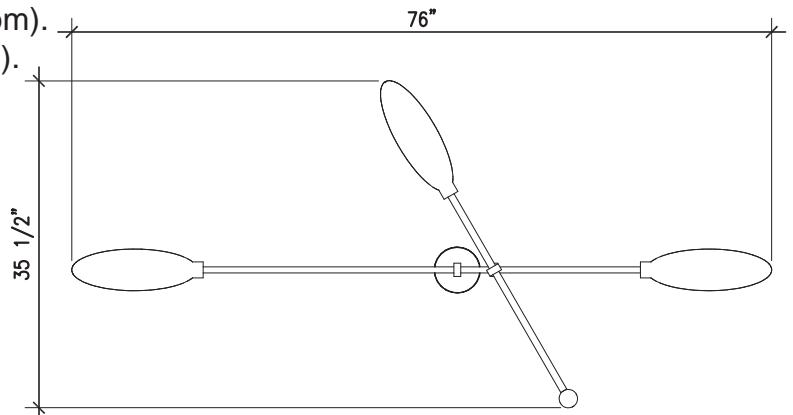
6 to 8 weeks. See Terms and Conditions



AXON



ELEVATION



PLAN

