

# User Manual

## Contents

1.WARNING	2
2.NOTICE	2
3.PRODUCT INTRODUCTION	2
4.OPERATING INSTRUCTIONS	3
5.TROUBLE SHOOTING	7

### 1.WARNING

#### Shooting Hazard

recommends that you should not put inside a gun that has been loaded.

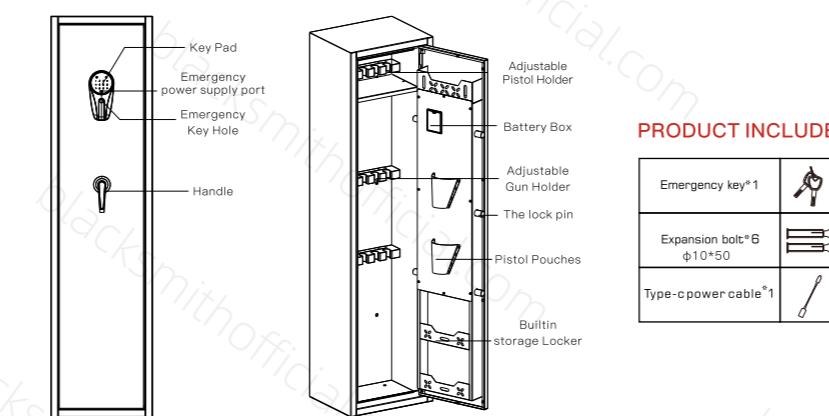
#### Tip Over Hazard

A child or adult can tip the safe and be killed or seriously injured. Serious injury may occur to children and adults if not secured before installation. Children should not play with or around the safe at any time.

### 2.NOTICE

- To reduce the risk, the gun safe must be installed on the wall or floor to ensure safety.
- Please keep the emergency key carefully. Do not leave the key in the gun safe, otherwise the emergency key will not be able to open the safe after the battery runs out.
- Please do not spill liquid on the control panel, otherwise it will damage the internal electronic components and make it work wrong.
- Please do not disassemble the product by yourself. Unprofessional disassembly and installation may damage the circuit and affect its performance.

### 3.PRODUCT INTRODUCTION



-2-

Product Name	Basic-SE0104	Basic-SE0106
Product size	1380*300*280mm	1380*350*280mm
Net Weight	30.2KG	33KG

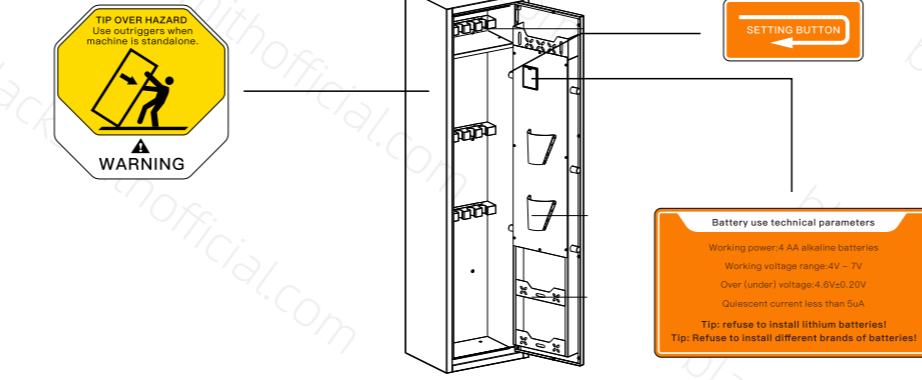
### Features:

- Full coverage flannel provide better protection for guns
- Adjustable Support Frame for 5/6 guns
- 2 Separate Pistol Pouches on the door
- 3 Ammunition Racks
- LED Light inside

### 4.OPERATING INSTRUCTIONS

#### a. GETTING STARTED

- Slide the emergency lock cover and the emergency key hole is exposed.
- Insert the emergency key into the keyhole and turn it 35° counterclockwise.
- Turn Handle clockwise to open the safe.



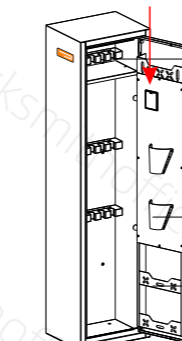
**NOTICE:** Use the emergency key when opening the door for the first time. After installing the battery, set the fingerprint password and key password in time.

-3-

### b. INSTALL BATTERIES

- Open the battery box cover plate.
- Insert 4 \*AA batteries and close battery cover.

⚠ (Caution: Do not use Lithium Battery or different brand of recharging batteries.)

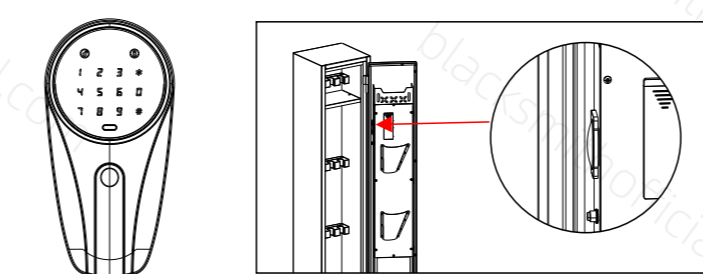


### c. PASSWORD SETTING

- The Original administrator password is :123456#
- Administrator password Registration : after the door opens, touch and wake up the key pad. Press the number 00, then press the setting button (green button), enter 3-12 bits password and end with the # key.
- Ordinary user password Registration : after the door opens, touch and wake up the key pad. Press the number 11, then press the setting button (green button), enter 3-12 bits password and end with the # key.

### d. RESTORE FACTORY SETTINGS

- In the standby state, long press the setting button for 5 seconds(green button), hear a long "beep" sound, means the system returns to the initial state (fingerprint cleared, password returned to 123456).



-4-

### e. OPEN THE SAFE

- Touch and wake up the key pad, enter the correct 3-12 bits password, hear the "beep" a long sound (Hear the "beep beep beep" three short sound, means password incorrect) , then turn the handle clockwise to open the door successfully.
- Slide the emergency lock cover and insert the emergency key into the keyhole and then turn handle clockwise to open the safe.

### f. ALARM FUNCTION

- Password/Fingerprint alarm: If you input the wrong password 3 times incorrect password, activate the alarm for 30 seconds. Enter the correct password to stop. And 5 times incorrect fingerprint, activate the alarm. Enter the correct fingerprint to stop.
- Vibrates alarm: Touch and wake up the key pad., press "\*" to hear the sound of "beep", and the digital button light goes out, indicating that it has entered the alert state. When the safe vibrates, it alarm. After the alarm, enter the correct fingerprint or password, the alert state is automatically lifted. If the correct fingerprint is not input for 30 seconds, the alarm will be automatically stopped, but the alert will not be lifted.

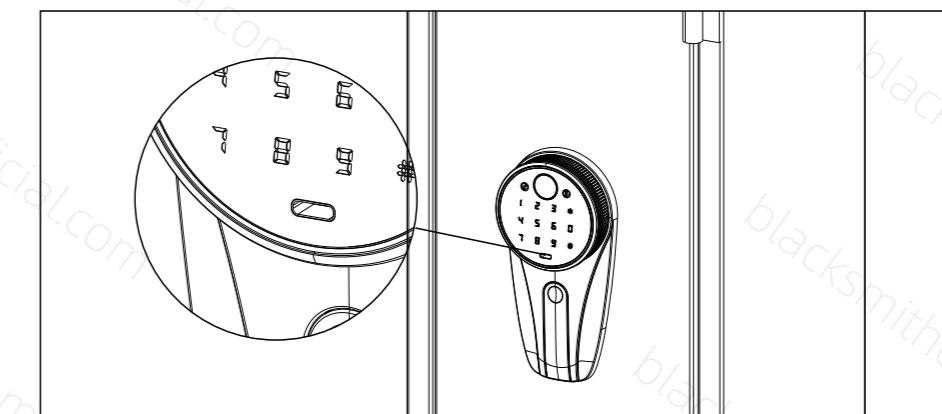
### g. MUTE FUNCTION

- Touch and wake up the key pad, enter "11 # " to turn on or off the mute function.
- Power off the device and then power on the device again. The sound is normal.

-5-

### h. POWER SHORTAGE PROMPT

- If the voltage is insufficient, after opening the door, the buzzer will remind "beep, beep, beep", three short sounds and two short sounds , to remind the user to replace the battery in time.
- If the battery voltage is insufficient, you can use the emergency interface TYPE-C (power bank or 5V voltage adapter ) or the mechanical emergency key to open the door.
- This electronic lock has the function of power loss protection, registered fingerprint and password never delete by power off.



### i. TECHNICAL PARAMETERS

- Working power: 4 x AA Batteries
- Working voltage: 4.2V-6.8V
- Working undervoltage point: 4.5V ± 0.20V
- Quiescent current is less than 50uA

### j. MOUNTING INSTRUCTIONS

The safe could be mounted to a wall or floor. Drill the appropriate size holes for the anchors you are using. Mount the safe by running screws from inside of the safe and securing to anchors; ensure the safe is mounted securely Floor Mounting. Use proper drill tools depending on the type of floor you are mounting the safe (wood, tile, or concrete).

-6-

### k. MOUNTING HOLES

- Choose a suitable location for your quick opening and closing the gun safe. Place the safe box in a proper place and mark the hole to be drilled on the surface
- Move the safe when you drill the marked hole on the surface of the safe.
- Drill holes in the surface using the appropriate hardware type and the diameter and depth of the mounting surface used.

### 5.TROUBLE SHOOTING

#### Problem: The door can not be closed.

- Check if there is an obstacle blocking the door inside the gun cabinet.
- Check if the lock bolt on the door is sticking out, if so, unlock it in the right way to make the bolt retract to close the door.

-7-