


尺寸: 140*100mm(单页)
 材质: 157g铜版纸





User Manual

High Precision Fingerprint Two Pistol Gun Safe (S1020)

WARNING

- Shooting Hazard
- Blacksmith recommends that you should not put inside a gun that has been loaded.
- Tip Over Hazard
- A child or adult can tip the safe and be killed or seriously injured.
- Serious injury may occur to children and adults if not secured before installation.
- Children should not play with or around the safe at any time.

NOTICE

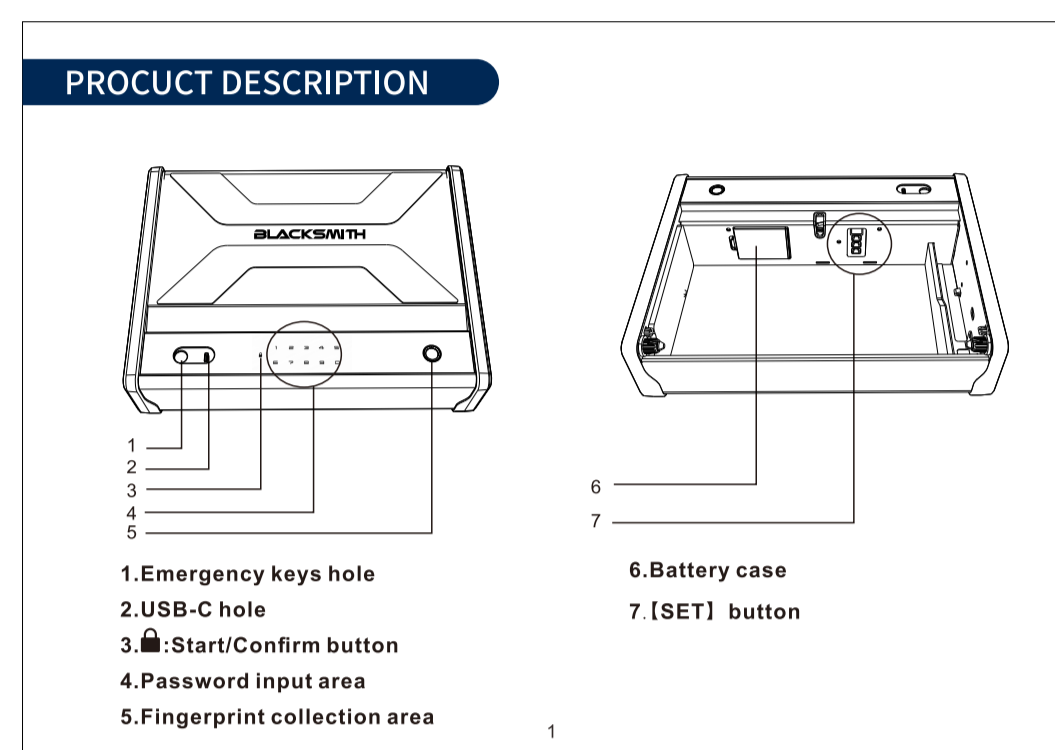
- To reduce the risk, the gun safe must be installed on the wall or floor to ensure safety.
- Please keep the emergency key out of box carefully. Do not leave the key in the safe.
- Please do not spill liquid on the control panel, otherwise it will damage the internal electronic components and make it work wrong.
- Please do not disassemble the product by yourself. Unprofessional disassembly and installation may damage the circuit and affect its performance.

CONTENTS	
Product Description	1
The First Time To Open	2
Modify Password	7
Modify Fingerprint	9
Normal Use	11
System Initialization	12
Mute Function	12
Low Battery Warning	13
Error Code Prompt	13
Pistol Safes Fixed	14

PACKING ACCESSORIES

After open the package, please first check whether the accessories are consistent with the following table.

Gun Safe	1	Product Manual	1
Emergency Keys	2	Security Cable	1
USB C Cable(Charger not included)	1	Mounting Screws	2
AAA Batteries	4		

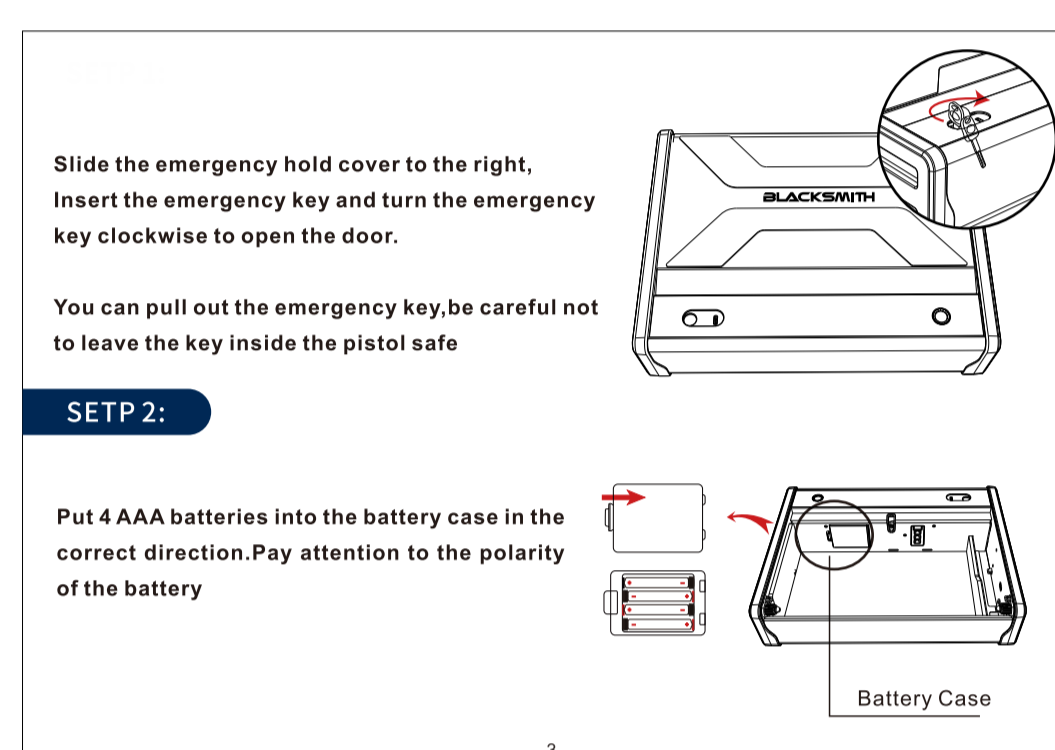


THE FIRST TIME TO OPEN

△Prompt:
 You have two ways to open the new pistol safe: [Emergency keys open] or [External power supply open].
Factory State: New pistol safe is in the factory state.
 -The original password is: 1234
 -No fingerprint can open the pistol safe before setting.
About key: When you use the password to open the pistol, the key has two functions.
 1. Press the lock key for the first time mean wake up the system (Tell the system that you are ready to enter the password)
 2. Press the key for the second time mean confirm the password (Tell the system that your password has been entered)
 For example:
 123456 123456 means correct password

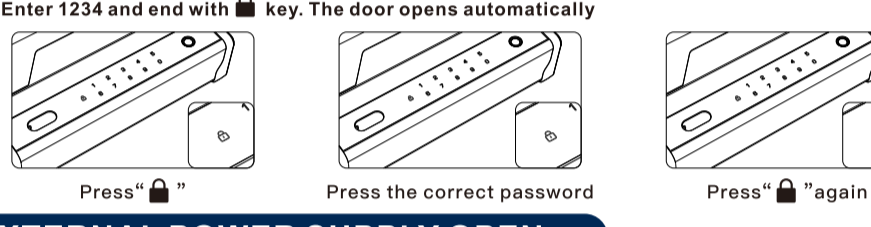
EMERGENCY KEYS OPEN

△Prompt:
 When the electronic system is abnormal or the password is forgotten or the battery is exhausted, you can use the emergency key to open the pistol safe. In order to be able to take out the contents in any abnormal situation, please don't put the emergency keys in the pistol safe, but store it separately hidden place.



SETP 3:

After the battery is correctly installed, you can use the password or fingerprint to open the safe. Before you change the password, you can use the factory password. No fingerprint works before input.
Password Open:
 1. Press the key, you will notice the screen lights up and hear "DI-DI" sound.
 2. Enter 1234 and end with key. The door opens automatically.

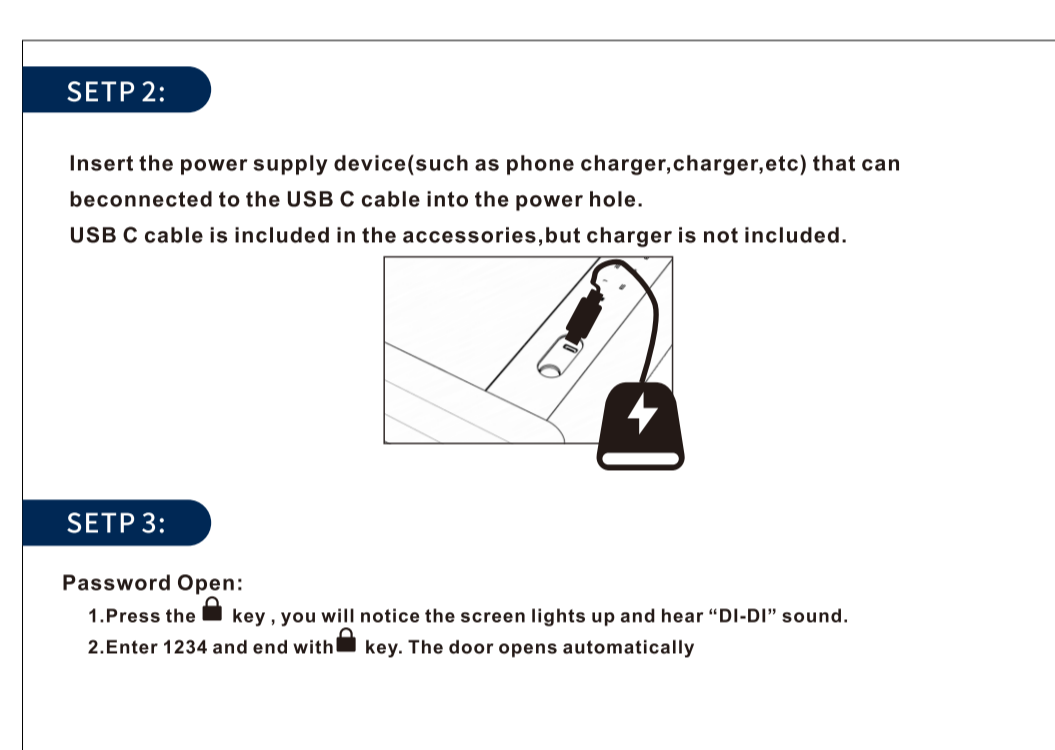


EXTERNAL POWER SUPPLY OPEN

△Prompt:
 When you have correct password or fingerprint, but there is no battery in it or the battery is run out, you can use the external power supply to open the safe.
 The premise of this method is that you have the password or fingerprint of the pistol safe.

SETP 1:

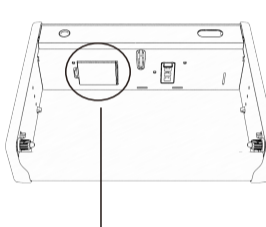
Slide the emergency hold cover to the right, you will see a keyhole and a USB-C hole.



SETP 4:

Put 4 AAA batteries into the battery case in the correct direction. Pay attention to the polarity of the battery. The pistol safe can be used normally.

How to modify the password or fingerprint refer to [Modify password], [Modify fingerprint].



MODIFY PASSWORD

△Prompt:

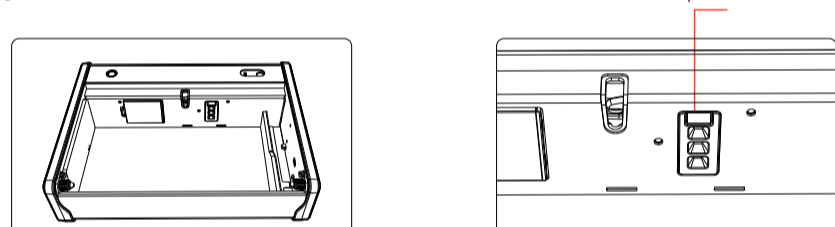
- The number of digitals you can set is 4-10 digitals. If it is less than 4 digitals or greater than 10 digitals, the setting will be unsuccessful.
- The new password will override the previous password.
- If a new password is set, but no fingerprint is set, in this case, the new password can be used to open the pistol safe, any fingerprint is invalid. Conversely, if a new fingerprint is set but no new password is set, the original factory password "1234" becomes invalid.
- For easy of use, we recommend setting a new password and setting a new user fingerprint. After this setting, the pistol safe can be opened with the correct password or the correct fingerprint.

SETP 1:

Make sure that 4 AAA batteries have been installed in the box and the door of the pistol safe is open. If you can't open the door, you can refer to [The FIRST TIME TO OPEN].

SETP 2:

Short press the "SET" button about 1 second and then release it, you can hear two "DI-DI" beeps and the screen flickers.



SETP 3:

Enter a new password of 4-10 digits, and end with key after entering, then you will hear a long beep, indicating that the password is set successfully. Before closing the door, please test whether the new password is changed successfully.

MODIFY FINGERPRING

△Prompt:

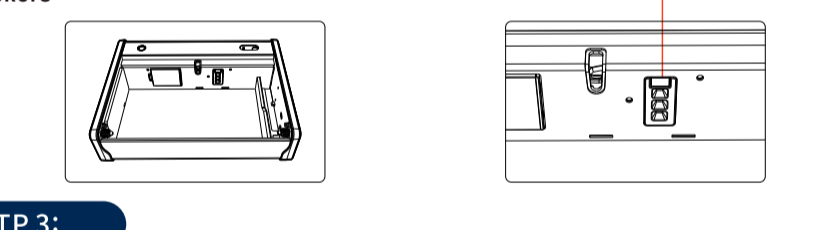
- Place your finger in the center of the scanner (This allows the fingerprint collector to read most of fingerprint details).
- Adjust your finger slightly between scans to improve accuracy.
- Excessive moisture, stains or dust will affect the accuracy of your fingerprint recognition.
- If you are experiencing difficult try different fingers. Each finger is unique, and some fingers such as your thumb contain more readable information than others.
- For ease of use, you can enter multiple fingerprints with one hand.
- Up to 20 fingerprints can be recorded.

SETP 1:

- Make sure that 4 AAA batteries have been installed in the pistol safe and the door is open state. If you can't open the door, please refer to [The first time to open].


SETP 2:

- Short press the "SET" button about 1 second and then release it, you can hear two "DI-DI" beeps and the screen flickers.



SETP 3:

- Place your finger in the fingerprint recognition area 3 times, and the system will emit a beep each time you place your finger. After 3 consecutive placements, you will hear a long beep, indicating that the fingerprint setting is successful.



NORMAL USE

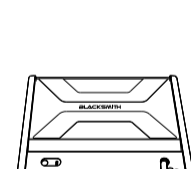
- Normal use means that you have set your own password or fingerprint, and the battery has been installed inside.

Password Open

- Press the button to wake up the system and enter the correct password. After the password is entered, end with key.
 Eg: 123456 123456
 XXXX means correct password

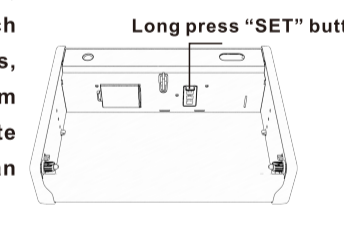
Fingerprint Open

- Put the correct fingerprint in the fingerprint recognition area, and the door will open automatically.
- Pay attention to the following points:
 - Let the fingerprint fully contact the recognition area.
 - Don't remove your finger as soon as the fingerprint touches the recognition area, and pause for 1 second for system to recognize.



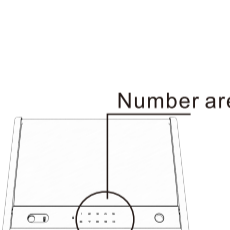
SYSTEM INITIALIZATION

- Long press the "SET" button about 4 seconds, when you hear a "DI" beep, and the light of touch screen starts to flash, after flashing three times, emitted a long "DI" beep, indicates that the system was initialized successfully. Restore to factory state means password is 1234, and any fingerprint can open the pistol safe.




MUTE FUNCTION

- Touch the number key area (Not include key) with your hand. The screen will light up, but not emitted "DI" beep.
- Long press the "1" key for about 3-4 seconds, the screen flashes twice and goes out, indicating that the mute function is turned on.
- If you need to turn off the mute function, you only need to repeat the above operation to switch the mode.



LOW BATTERY WARNING

When the battery is under voltage, the light will be yellow when the door is opened. You need to replace 4 AAA new batteries to ensure its normal use.



ERROR CODE PROMPT

- If the password or fingerprint is entered incorrectly for 5 times, the system will be locked for 100 seconds during this period, no operation can be performed, and an alarm will be sounded until the lock state is over.
- If you want to quickly release the locked state, you can use the emergency key to open the pistol safe, and remove the internal battery. Through this operation the locked state can be released.

PISTOL SAFES FIXED

You have two ways to fix it to ensure that the pistol safe will not be easily taken away: bottom screw fixation and password steel cable fixation.

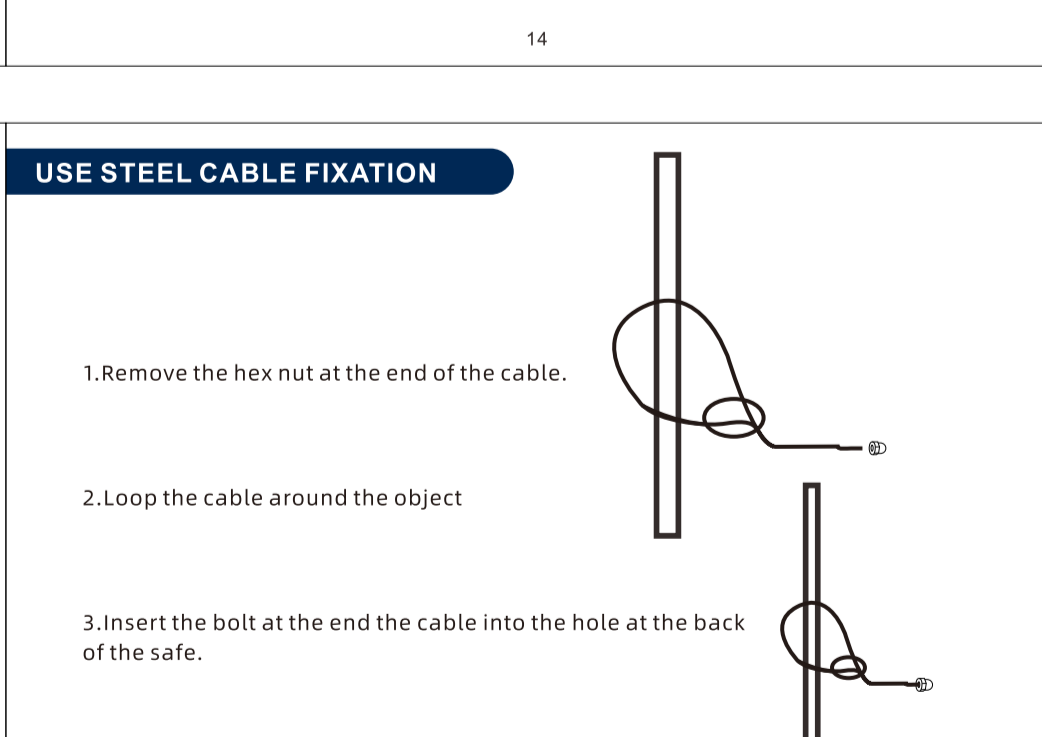
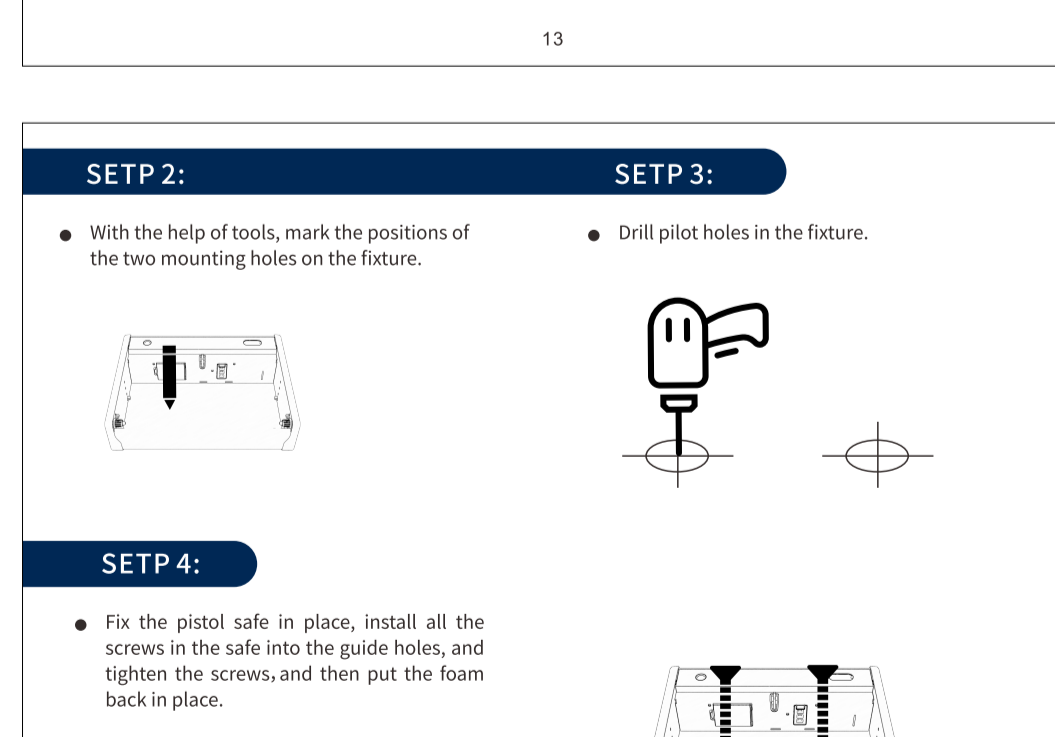
BOTTOM SCREW FIXATION

△Prompt:

- Before fixing the pistol safe, please make sure that you have enough space for the lid to be fully opened (Especially fixed in narrow spaces such as drawers).

SETP 1:

- Position the pistol safe on a flat surface where you want to mount it. Take out the foam inside and you will see two screw holes.



12 Months Warranty

This product is warranted by the original purchaser for 12 Months from the date of purchase. If the product is within 12 Months since you bought it, any part of the product or the whole product is damaged due to production process or materials, BlackSmith will, at its sole discretion, repair or replace the product or part for the original purchaser. This warranty applies only to the damage which is caused by materials or workmanship, and does not include damage caused by misuse and conversion. This warranty also does not include fire (except fire protection products), water logging (except waterproof products) or theft as well as vandalism. The sole responsibility of the Company shall be limited to the repair or replacement (in its sole discretion) of any component of the BlackSmith safe which fails to conform to this warranty at no cost to the purchaser for the period of the warranty.

