



COMPUTER MOUNT

STEM CAPOT

TOOL NEEDED

1. 2 / 4 mm Hex Allen keys



STEP 1

If you have a Garmin computer, go to STEP 3, on page 4.

1. Remove the 2 screws by using Hex Allen key 2 mm.



2. Remove the Garmin insert.



STEP 2

If you have a Garmin computer, go to STEP 3, on page 4.

- 1.1** If you have a Bryton computer, take the **(B)** insert.

To properly position your insert, help you with the letter B



- 1.2** If you have a Wahoo computer, take the **(W)** insert.

To properly position your insert, help you with the letter W

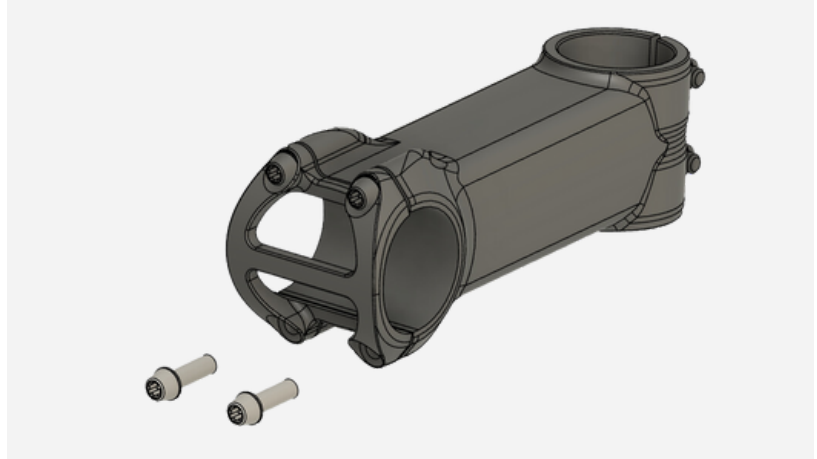


- 2.** Put the insert in the computer mount and fix it with the 2 screws by using Hex Allen key 2 mm.



STEP 3

1. Remove the 2 bottom screw of the cap of your stem by using the corresponding key (Torx or Allen hexagonal).



2. Put the 5 mm spacers between the computer mount and your stem.

If the computer mount touch your stem, you need to use the 10 mm spacers.



2. Insert and screw the 2 screws by using the Hex Allen key 4 mm to fix your computer mount.



WARRANTY TERMS

Nova Ride warrants all products to be free from defects in materials and workmanship. The warranty is effective from the original date of purchase. The warranty covers all Nova Ride products. It is non-transferable and valid to the original purchaser of the product only.

Computer mount : 4 years warranty

Any Nova Ride product found to be defective in materials and/or workmanship will be repaired or replaced at the discretion of Nova Ride. It is the sole responsibility of the product's user to inspect and examine the product on a regular basis to determine the need for correct maintenance or replacement.

Not covered under the warranty program : Products determined to be tampered with, modified or neglected, products that have been misused, products in lack of maintenance, products that are subject to normal wear and tear, products affected by a crash or sudden obscure impact, products damaged due to improper installation/reinstallation, products used for any purpose other than the intended use and second hand purchased products.

CONTACT

Email for After Sales Service

sav@novatoride.com

Email for Product info

info@novatoride.com

Instagram

nova2ride

Facebook

novaridecomponents

YouTube

Nova Ride

LinkedIn

Nova Ride

ENJOY THE RIDE

