



Vogue Electric Range

Freestanding LED Fire



Instructions for Use & Installation

For use in

Great Britain & Republic of Ireland
Éire
République Française

Italia
España
República Portuguesa

VOGUE MIDI	VOGUE MIDI MIDLINE
663-806	663-834

VOGUE MIDI T ELECTRIC	VOGUE MIDI T MIDLINE	VOGUE MIDI T WALL MOUNTED 3-SIDED
663-819	663-851	663-860



Contents

Operating Instructions.....	4
Control System Technical Data.....	63
Dimensions	64
Installation.....	67
Information Requirement - Electric Heaters.....	72



Contenuto

Istruzioni Di Funzionamento	28
Dati tecnici del sistema di controllo.....	63
Dimensioni	64
Installazione.....	67
Informazioni obbligatorie per gli apparecchi per il riscaldamento d'ambiente locale elettrici.....	72



Contenu

Mode d'emploi	15
Données techniques du système de commande.....	63
Dimensions	64
Installation.....	67
Informations à fournir pour un appareil de chauffage électrique localisé	72



Contenido

Instrucciones De Uso.....	40
Datos técnicos del sistema de control	63
Dimensiones	64
Instrucciones De Instalación.....	67
Requisitos de información que deben cumplir los aparatos de calefacción local eléctricos.....	72



Conteúdos

Instruções de operação.....	52
Dados técnicos do sistema de controlo	63
Dimensões	64
Instalação	64
Requisito de informação - Aquecedores elétricos	72



CONSUMER SUPPORT VIDEO:
www.gazco.tv/support/vogue-midi-t-electric

IMPORTANT

PARTS OF THE OUTER CASING OF THIS APPLIANCE ARE CONSIDERED BY THE MANUFACTURER TO BE A WORKING SURFACE WHICH BECOMES HOT WHEN THE HEATER IS SWITCHED ON. IT IS THEREFORE RECOMMENDED THAT A FIREGUARD COMPLYING WITH BS 8423 (LATEST EDITION) IS USED IN THE PRESENCE OF YOUNG CHILDREN, THE ELDERLY OR INFIRM.

**THE HEATER OUTLET GRILLE BECOMES VERY HOT WHILST IN OPERATION.
DO NOT COVER THE OUTLET GRILLE OR ANY PART OF THE APPLIANCE.**

For use with 230V 50Hz electricity supply only.

Please read these instructions carefully before installation and keep them in a safe place.

They will be needed when maintenance or servicing is required.

THIS APPLIANCE MUST BE EARTHED

THIS PRODUCT IS ONLY SUITABLE FOR WELL INSULATED SPACES AND OCCASIONAL USE.

IMPORTANT INFORMATION AND HEALTH AND SAFETY

Read all of the instructions carefully before using the appliance.

Remove all packaging and dispose of at an appropriate recycling facility.

Do not locate this appliance immediately below a fixed socket outlet.

Parts of the outer casing of this appliance are considered by the manufacturer to be a working surface which becomes hot when the heater is switched on. You must use a suitable fire guard to protect children, the elderly and the infirm.

Do not use this appliance in the immediate surroundings of a bath, shower, swimming pool or any other area where the appliance could come into contact with water or humidity, e.g. a bathroom.

**WARNING! DO NOT COVER**

Do not allow the appliance to be covered or let the air inlet/outlet become obstructed as the appliance may overheat. Please note the warning symbol on the appliance (see above).

For indoor use only. This appliance is not suitable for use outside the house.

This appliance must stand on a clean, level, firm surface. Do not stand the fire on a carpet. Ensure that furniture, curtains etc. are positioned no closer than 1m and the fire stands on a surface that can withstand temperatures of 90°C for prolonged periods. Do not allow rugs to be placed within 500mm of the front of the appliance.

Where the electricity supply cable has to pass through a fire place, stone surround etc. ensure suitable rubber bushes are fitted at possible wear points.

If installed in an open fireplace, blank off the chimney to reduce the risk of a back draught which can cause the safety cut-out to operate.

Keep the power cord away from hot surfaces and hot conditions. Do not route the power lead in front of the appliance. When the fire has been installed the position of the plug must be accessible.

If the electricity supply cable is damaged do not use the appliance until it has been replaced. For safety reasons the replacement has to be carried out by a Gazco service agent or a similarly competent electrician.

CAUTION: In order to avoid a hazard due to inadvertent resetting of the thermal cut-out, this appliance must not be supplied through an external switching device, such as a timer, or connected to a circuit that is regularly switched on and off by the utility.

Do not operate the appliance if it is damaged.

Repairs of electrical appliances must only be performed by an electrical engineer. Should the appliance fail to operate, or in case of any damage, please contact the retailer from whom the appliance was purchased.

This appliance can be used by children aged from 8 years and above and persons with reduced physical, sensory or mental capabilities or lack of experience and knowledge if they have been given supervision or instruction concerning use of the appliance in a safe way and understand the hazards involved. Children shall not play with the appliance. Cleaning and user maintenance shall not be made by children without supervision.

Children of less than 3 years should be kept away unless continuously supervised.

Children aged from 3 years and less than 8 years shall only switch on/off the appliance provided that it has been placed or installed in its intended normal operating position and they have been given supervision or instruction concerning use of the appliance in a safe way and understand the hazards involved. Children aged from 3 years and less than 8 years shall not plug in, regulate and clean the appliance or perform maintenance.

Caution: Some parts of this product can become very hot and cause burns. Particular attention has to be given where children and vulnerable people are present.

However Gazco recommend:

This appliance is not intended to be used by persons under the age of 12, persons with reduced physical, sensory or mental capabilities or persons with lack of experience and knowledge in the safe operation of the appliance.

The appliance may be operated by persons above the age of 12 provided they have been instructed in the safe use of the appliance and that they understand the hazards involved. Persons above the age of 12 may also operate the appliance under the supervision of a responsible adult.

Parts of this appliance become hot whilst in operation and under no circumstances should persons under the age of 12 be left alone with the product when it is in operation unless a suitable fireguard is used to protect them against the possibility of coming into direct contact with the appliance.

Children shall not play with the appliance.

Cleaning and user maintenance shall not be made by children without supervision.

OPERATING INSTRUCTIONS

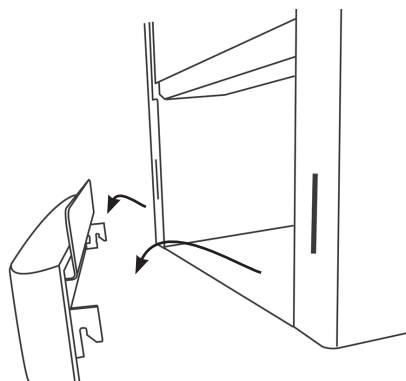


WARNING! Do not operate the appliance if it is damaged or has malfunctioned. If you suspect the appliance is damaged or has malfunctioned call a qualified service engineer to inspect the appliance, and replace any part of the electrical system if necessary, before reuse.

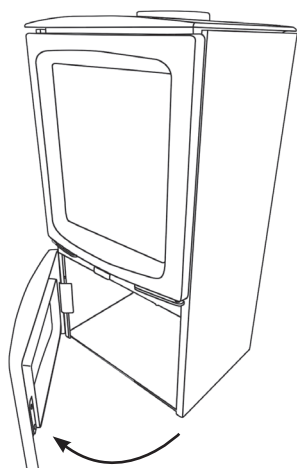
Do not disconnect the power at the mains supply whilst the appliance is running. Use the functions on the remote to turn the fire off and ensure the mains switch has been moved to the off position before disconnecting.

LOCATION OF POWER SWITCH

VOGUE MIDI/ MIDI T MODELS



VOGUE MIDI MIDLINE/ HIGHLINE MODELS

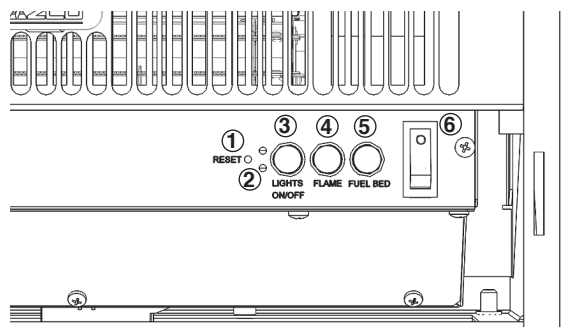


MANUAL CONTROL PANEL



NOTE: To use both remote and manual functions the manual on/off switch must be in 'ON' position. In order to prevent the product becoming too hot, there is a 10s delay when turning on the heater and a 10s delay when turning off the heater fan.

The manual button controls basic functions, not a full range of controls. Use the remote hand set to carry out all functions.



1. Remote Reset Button
2. Heater Running Indicators
3. All Lights On/Off
4. Flame Setting Button
5. Fuel Bed Setting Button
6. Mains Power On/Off

OPERATING THE APPLIANCE

Press 6 to **Turn the Appliance On/Off**.



NOTE: To use both remote and manual functions the manual on/off switch must be in 'ON' position. To prevent the product overheating, there is a 10s delay when turning on and off the heater fan.

The manual button controls basic functions. Use the remote hand set to carry out all functions.

Press 3 to **Turn Flames and Fuel bed ON/Off** at the same time.

Press 4 to select the colour of flame or return to the OFF position. There are 3 flame colour options.

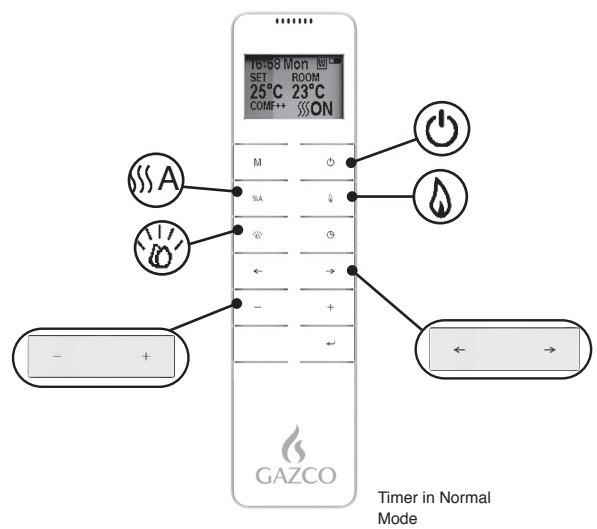
Press 5 to select the colour of fuel bed or return to the OFF position.

There are 14 fuel bed colour options.

Note: The appliance will lose the memory for the light functions when the switch is set to the Off Position or the remote runs out of power.

REMOTE CONTROL

The remote control should be left on a flat surface in the room where the appliance is installed and away from any direct flow of hot air.



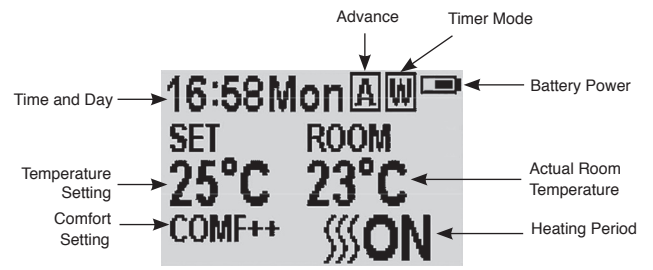
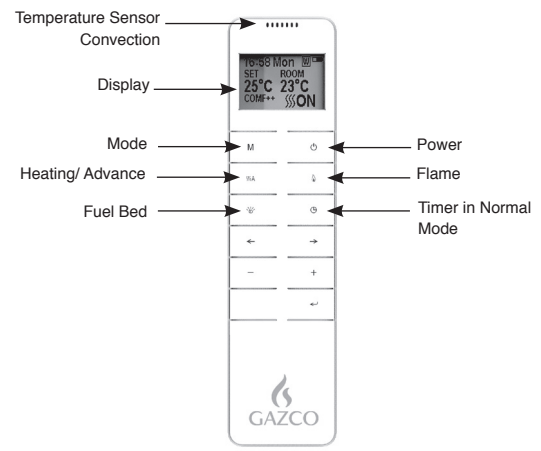
- Power On/Off
- Heater
- Flames
- Fuel Bed
- Colour option
- Levels

OPERATING THE APPLIANCE - QUICK START

- Turn the Appliance On/Off**
The appliance will start on the last remembered setting.
- Turn the Heater On/Off.**
 - Increase or decrease the heat output.
- Turn the Flame Effect On/Off.**
 - Change the colour option.
There are 3 flame colour options:
 - Increase or decrease the brightness level.
- Turn the Fuel Bed Effect On/Off.**
 - Change the colour option.
There are 14 fuel bed colour options:
 - Increase or decrease the brightness level.

The remote control should be left on a flat surface in the room where the appliance is installed and away from any direct flow of hot air.

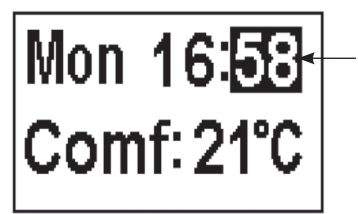
OPERATING THE APPLIANCE - ADVANCED OPERATION



- TURN ON/OFF**
Press button to turn on the flame effect.

Press button to turn off all the functions under the normal heating control mode.

Press button to turn off the flame effect under daily and week timer heating mode.
- WEEK DAYS/ TIME/ COMFORT TEMPERATURE AND UNIT SETTING**
Ensure the clock is set to the correct time.
Press **M** for 3 seconds.
Press the '←' or '→' button to choose setting.
The selected character will be highlighted.



Press the '+' or '-' button to adjust the number.

Time: 24-hour system.

Select Comfort temperature from 15-25°C.

Temperature unit: °C/°F.

Press the button for 3 seconds or wait 10 seconds to save and exit the week, time and heating temperature setting.

DAILY TIMER HEATING

The following heating periods have been preset, but can be altered if desired:

06:00 until 08:00
17:00 until 22:00

Press **M** until **D** shows at the upper right corner of the screen.



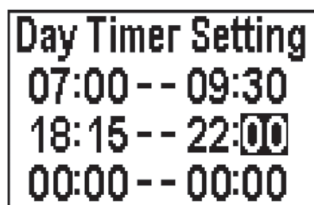
Hold the button for 6 seconds.

3 timed heating periods can be set per day.

Press '<' or '>' to choose hour or minute.

Press '+' or '-' to set the number.

The minute increment / decrement by 15min per press.



Hold the button for 3 seconds or wait for 10 seconds to save and exit the heating time period setting.

Press to check the daily timer mode.

To turn heating off, return to Normal Control Mode.

When in Daily Timer Mode switching the appliance off with the remote will stop the light output. The heat output will continue according to the timer settings.

ADJUSTING THE SET TEMPERATURE

Press the '+' or '-' button to increase or decrease the temperature on the basis of COMF temperature.

COMF means the actual temperature is the same as setting.

ECO means the actual temperature is 2°C lower than the setting temperature.

ECO- means 4°C lower.

COMF+ means 2°C higher.

COMF++ means 4°C higher.

ADAPTIVE START CONTROL

The heater will automatically determine the appropriate time to heat to ensure that it will reach the set-pointed temperature at the set time (up to 45 minutes prior to the set time).

FLAME COLOUR ADJUSTMENT

Press button.

There are 3 flame colour options.

There are 6 levels of brightness, including off.



Press the '<' or '>' button to cycle through the flame colour options.

Press the '+' button to increase the flame brightness.

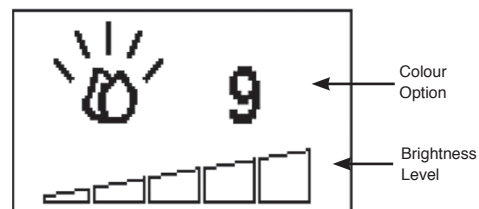
Press the '-' button to decrease the flame brightness until off.

FUEL BED COLOUR ADJUSTMENT

Press to enter the fuel bed light adjustment screen.

There are 14 fuel bed colour options.

There are 6 levels of brightness, including off.



Press the '<' or '>' button to cycle through the fuel bed colour options.

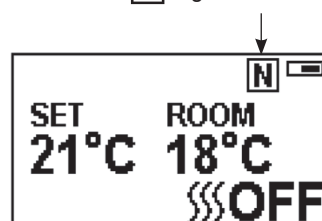
Press the '+' button to increase the fuel bed brightness.

Press the '-' button to decrease the fuel bed brightness until off.


NORMAL CONTROL MODE

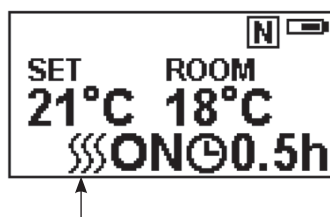
Normal Control Mode is the default setting.

Press **M** button until the **N** logo is shown



Press the '+' or '-' button to adjust the setting temperature from 17 °C to 25°C.

Press  A button to turn the heat on/off..




Note: It is normal for the fan heater to stop running for periods of time. This happens if the room temperature is higher than the temperature set on the control.

The heater indicator will be turned off after 10s if the flame is switched ON. The heater indicator will stay ON if only the heating function is used.

When in Normal Control Mode switching the appliance off with the remote will stop both the light and heat output.

COUNT DOWN TIMER

This setting is only in normal heating control mode. It allows the appliance to be returned to Standby after a set period of time. The heater must be switched on to use this function.

Press  to cycle through the setting from Off and 0.5 hours to 9 hours. Timer logo and remaining time will show on the screen.

The heater of appliance can be automatically run by using daily timer and weekly timer.

WEEK TIMER HEATING

The following heating periods have been preset, these can be altered if desired:


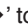
From Monday to Friday
06:00 until 08:30
17:00 until 22:00


From Saturday to Sunday
06:30 until 09:30
11:00 until 13:00
17:00 until 22:00

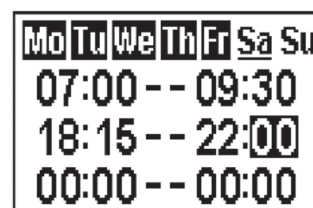
Press M until  shows.




Hold the  button for 6 seconds.

Press '' or '' to move the cursor (a flashing underline).

Press the  button in the corresponding week position to select (the character is highlighted) or cancel (the character is displayed normally) the current setting, the same time period can be selected together.





Press the '' button to move the cursor to the time period setting area.


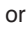

Press '' or '' button to choose hour or minute.

Press '+' or '-' to set the number.

A maximum of 3 timed heating periods can be set per day. Minute increment / decrement by 15min per press.

Press  to set the heating time for the selected day and return to the week line.

Hold the  button for 3 seconds or wait for 10 seconds to save and exit the heating time period setting.

Press  '' or '' to check the timer setting for the week timer heating mode.

To turn heating off, return to Normal Control Mode.

When in Weekly Timer Mode switching the appliance off with the remote will stop the light output. The heat output will continue according to the timer settings.

ADJUSTING THE SET TEMPERATURE

Press the '+' or '-' button to increase or decrease the temperature on the basis of COMF temperature.

COMF means the actual temperature is the same as setting.

ECO means the actual temperature is 2°C lower than the setting temperature.

ECO- means 4°C lower.

COMF+ means 2°C higher.

COMF++ means 4°C higher.

ADAPTIVE START CONTROL

The heater will automatically determine the appropriate time to heat to ensure that it will reach the set-pointed temperature at the set time (up to 45 minutes prior to the set time).

ADVANCE MODE

The heating state can be advanced to the next period under both the daily and week timer heating mode.

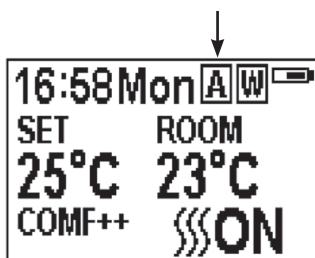


If the heater is on in the current period, pressing the button will turn the heater off.

If the heater is off in the current period, pressing the button will turn the heater on.

Heating output depends on the room temperature and setting temperature.

Press **[[[A]** to enter the Advance mode under the daily and week timer heating mode.



Press **[[[A]** again or timer period ends will exit the Advance mode.

WINDOW OPEN DETECTING

When the transmitter detects a rapid drop in room temperature, it will be judged as an open window: the warning icon will be displayed and the heating will be turned off automatically.



After indoor temperature rise or manual intervention (by operating remote control), it will return to normal working state.

OPERATING THE APPLIANCE - TROUBLESHOOTING

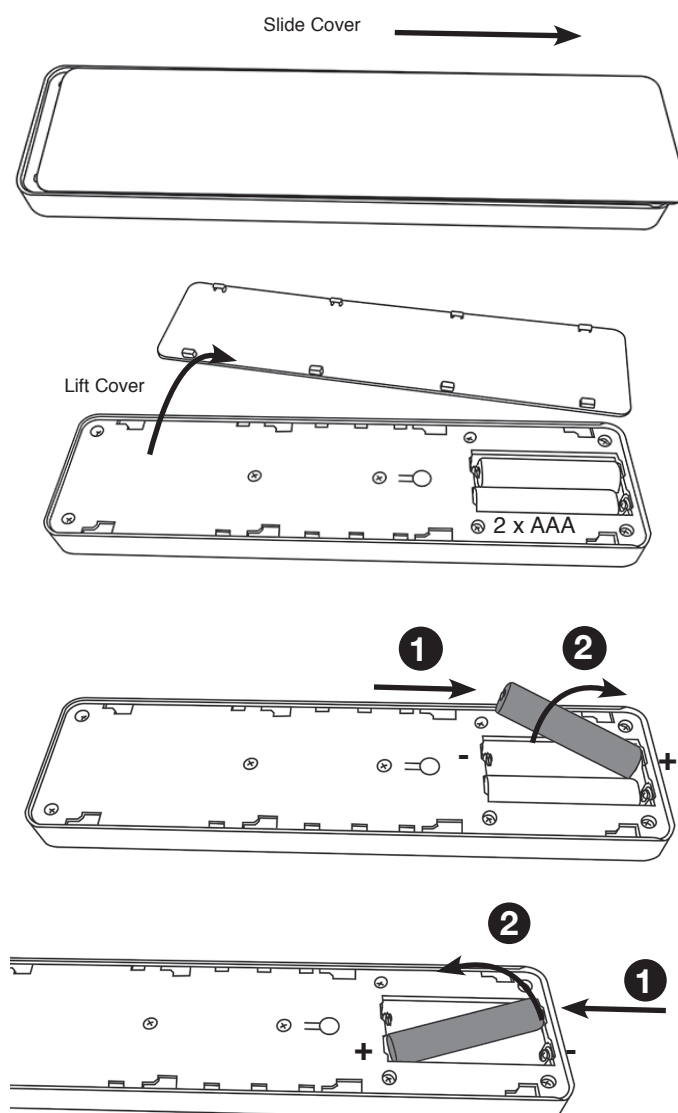
BATTERY

The battery power level is indicated at the top right of the remote control screen.

	Battery Full	No action required
	Battery Half Power	Ensure new batteries are available.
	Battery Empty	Replace batteries immediately

BATTERY REPLACEMENT

Exhausted batteries are to be removed from the appliance and safely disposed of.



Ensure that the handset batteries are new and inserted correctly.

Dispose of old batteries at an appropriate recycling facility.

Battery replacement is recommended after 1 year.
The Remote requires two 1.5V alkaline AAA batteries.

Ensure the correct polarity.
Do not short circuit the terminals.

Do not attempt to recharge non-rechargeable batteries.

Remove rechargeable batteries before charging.

Do not mix old and new batteries.

Remove batteries if the appliance is not used for long periods.

Changing the batteries will not affect the Timer Mode settings. Ensure the clock is set to the correct time.

i **NOTE: To use both remote and manual functions the manual on/off switch must be in 'ON' position. In order to prevent the product becoming too hot, there is 10s delay when turning on the heater and a 10s delay when turning off the heater fan.**

The manual button controls basic functions, not a full range of controls. Use the remote hand set to carry out all functions.

HEATER RUNNING INDICATORS

When the fan heater is used in conjunction with the flame or fuel bed effects the heater running indicators will light up for 10 seconds.

The LEDs will illuminate for 10 seconds if the flame or fuel bed effect is On.

If the fan heater is used independently, the heater running indicators will stay on.

RESET BUTTON FOR REMOTE CONTROL

If the handset loses signal or needs to be replaced then, see Servicing Section for details.

SIGNAL CODE

The handheld transmitter is configured in the factory with a unique signal code.

IMPORTANT: If the handset loses signal or needs to be replaced, see Servicing Section for details.

MAINTENANCE



IMPORTANT: THE OUTER PANELLING OF THE VOGUE MIDI IS MADE FROM CAST IRON. USE CAUTION WHEN INSTALLING, REMOVING AND STORING AS THE COMPONENTS ARE HEAVY AND SHOULD BE HANDLED CAREFULLY.

ALWAYS UNPLUG FROM MAINS SUPPLY BEFORE CLEANING OR UNDERTAKING ANY MAINTENANCE.

GENERAL CLEANING

Only clean the outer casing when it is cold. Do not use abrasive cleaners.

CLEANING FRONTS

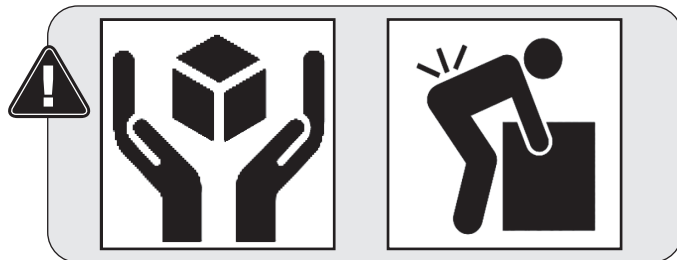
Wipe the glass viewing panel with a damp cloth and buff with a lint free duster.

Caution: Do not use abrasive cleaners on the glass panel. Do not spray liquids directly onto any surface of the unit.

CLEANING THE FUEL EFFECT

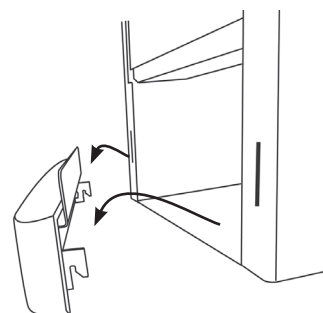
To access the fuel effect it will be necessary to remove the glass viewing panel.

Ensure the appliance is unplugged.



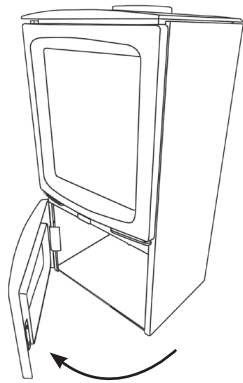
Vogue Midi/ Midi T

1a

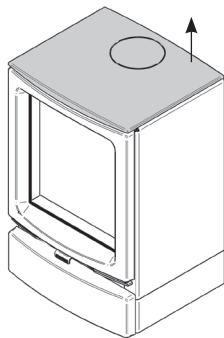


1b

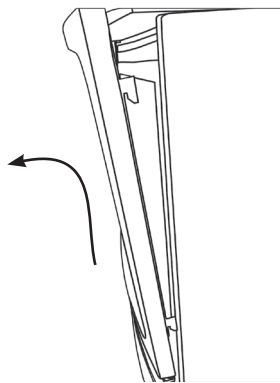
Vogue Midi Midline/ Highline



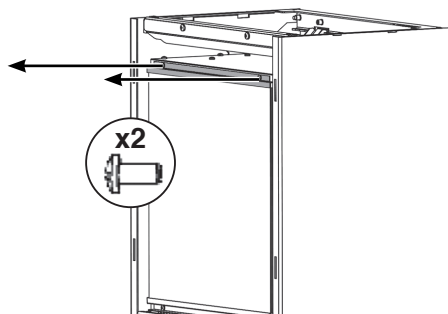
2



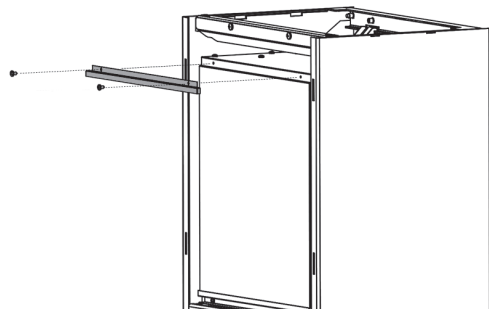
3



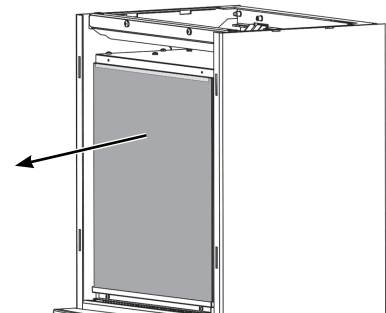
4



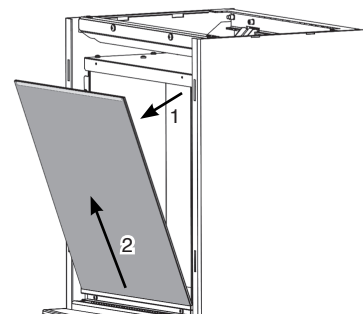
5



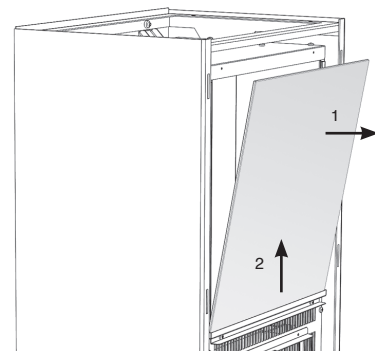
6



7



8



The fuel effect can now be accessed.

Remove and wash the fuel effect to remove any dust particles.
Alternatively clean with a lint free duster.

Ensure that the effect is dry before replacing.

Replace the fuel effect see Installation Instructions Section 5 for layout.

Replace in reverse order.

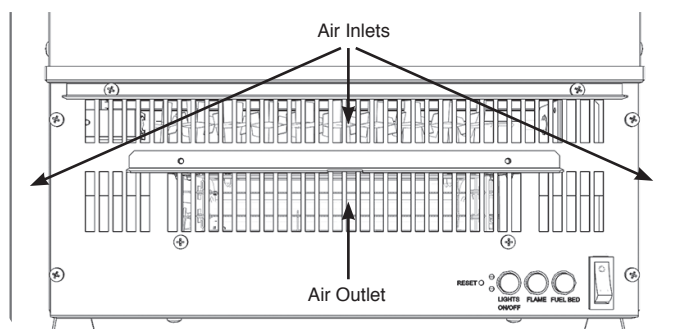
CLEANING AIR INLETS

Ensure the appliance is unplugged.

Remove the plinth (Midi/ Midi T models) or open the door (Midi Midline/ Highline models), remove the cast top and cast frame.

Clean the air inlet and outlet grilles regularly with a soft cloth or the nozzle of a vacuum cleaner.

Note: There are air inlets positioned between the inner and outer boxes, ensure that these are cleaned regularly.



Dust build-up can inhibit efficient performance of the fan and lead to the safety cut-out operating.

Keep the area around the appliance clean and free of fluff, dust or pet hair.

In particular, build-up of dust etc. can occur around the heater area. Take particular care to keep this area free from such particles on a regular basis to prevent build-up.

INSTALLATION

GENERAL

TOOLS REQUIRED

No tools are required to install this appliance.

UNPACKING THE FIREPLACE

WARNING! DO NOT use this appliance if any part has been exposed to water.

Immediately call a qualified service technician to inspect and to replace any part of the electrical system if necessary.

Open the packaging carefully and remove the polystyrene. Remove and discard the plastic bag. Keep plastic wrapping away from children. Be responsible when handling the packing materials.

Check all parts and accessories are removed before disposing of any packaging. If necessary keep the original packaging for future transport and/or storage.



This appliance is heavy and does not require anchoring to the hearth or floor, but in certain circumstances the appliance can become unstable e.g. when leaning on the appliance. If this is likely, secure the appliance to the hearth or floor with suitably strong fixings.

LOCATING THE APPLIANCE

The appliance may be installed virtually anywhere in your home. However, when choosing a location ensure that the general instructions are followed.

For best results, install out of direct sunlight.

If the power cord is damaged contact your Gazco retailer for a replacement. Only use genuine Gazco parts on this appliance.

The appliance should be located close to a suitable mains socket to enable connection.

The electrical socket must be easily accessible to allow disconnection when the appliance is fitted.

This appliance must stand on a clean, level, firm surface. Do not stand the appliance on a carpet. Ensure that furniture, curtains etc. are positioned no closer than 1m and the appliance stands on a surface that can withstand temperatures of 90°C for prolonged periods. Do not allow rugs to be placed within 500mm of the front of the appliance.

Ensure that curtains and furniture are not positioned close to the chosen position, as this would create a potential fire hazard or block the heater outlet ducts.

WARNING! KEEP ANY COMBUSTIBLE MATERIALS AT LEAST 1M FROM THE FRONT AND SIDES OF THE APPLIANCE.

ALL INGLENOOK FIREPLACE OPENINGS:

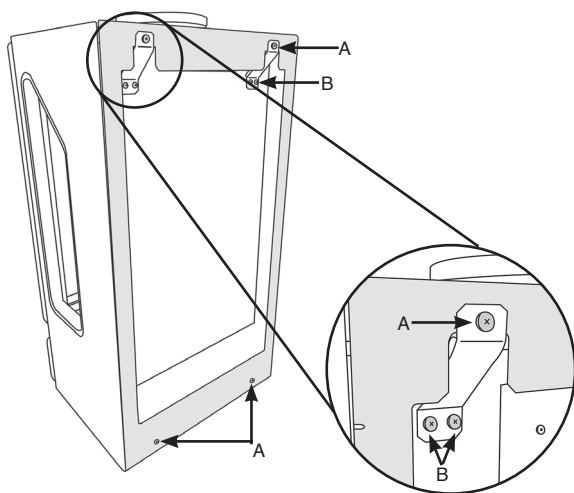
For all models the dimensions required for an inglenook installation can be calculated by adding 225mm (9") to the height of the appliance and 150mm (6") to each side. An additional 50mm (2") must be added to the depth to provide adequate space behind the appliance.

SECURING THE APPLIANCE TO THE WALL - VOGUE MIDI T 3 SIDED ONLY

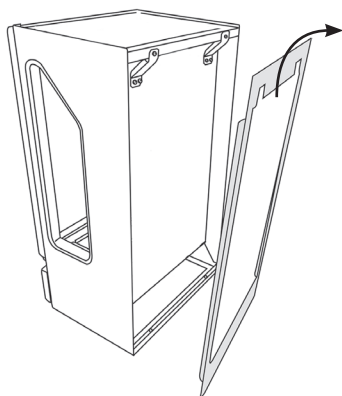
To install the Vogue as a wall mounted product it will be necessary to remove the rear vanity panel.

Remove the 4 screws, see Diagram, Arrow A.

Loosen the 4 screws, see Diagram, Arrow B.



Lift the vanity panel off the top brackets, see Diagram.



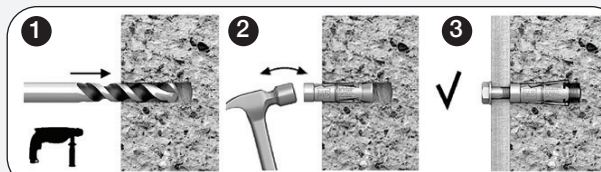
Tighten the 4 loose screws (Arrow B) and replace the top 2 screws (Arrow A).



WARNING: This appliance is heavy.
The manufacturer has designed this appliance to attach to a masonry wall and all fixings supplied reflect this. If sitting on a studwork wall, the fixing points must be through the timber stud and not plasterboard. Use appropriate fixings. **DO NOT** attach solely to a plasterboard wall.



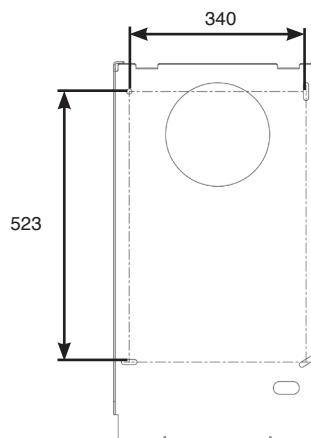
The fixings supplied for the Wall Mounted Kit are R-RBL Rawlbolts and should be fitted in the method described below.



Ensure a minimum substrate thickness of 100mm.

1. Drill a hole - Width: 14mm x Depth: 65mm.
Note: When fixing into brickwork, mortar joints should be avoided
Remove debris and thoroughly clean hole with brush and pump
2. Remove pre-assembled bolt and washer. Insert shield into hole and tap home with hammer until flush with surface
3. Insert bolt with washer through fixture into the shield
Tighten to 15Nm torque.

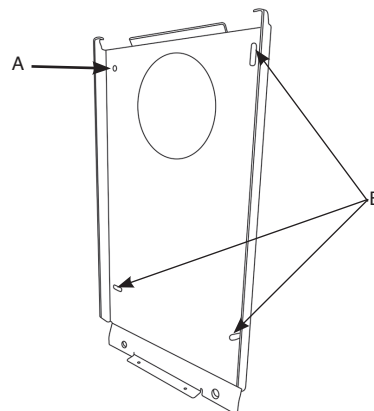
If installing on a studwork wall it is essential that the battens are located in the fixing area for the wall mounting bracket.



Position the wall mounting bracket in the required location.

Mark and drill the top left hand fixing hole.

Secure with a screw, see Diagram, arrow A.
Do not tighten at this point.



Level the wall mounting bracket and mark the remaining 3 holes, see Diagram, arrow B.

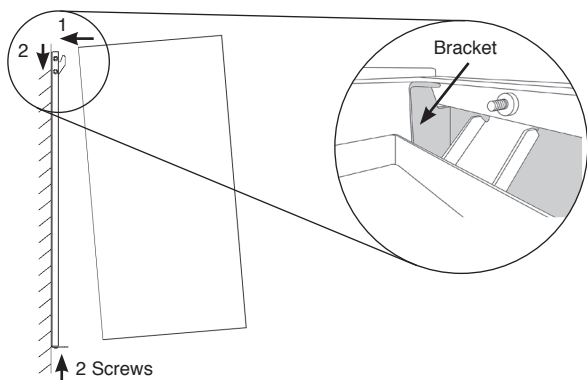
Remove the wall mounting bracket and drill the fixing holes.

Replace the wall mounting bracket and secure with the screws. Do not tighten at this point.

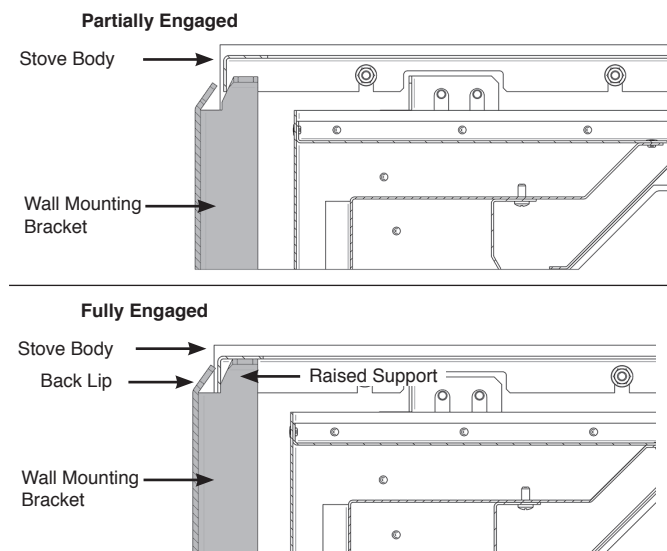
Level the wall mounting bracket, adjusting if necessary. Tighten the 4 screws.

WARNING: This appliance is heavy and should be handled with care. Two people must be used to lift this appliance.

Hook the top of the bracket under the top of the carcass at an angle and lower gently into position. Ensure that the bracket is fully engaged.



NOTE: The top rear edge of the appliance must locate between the back lip of the wall mounting bracket and the raised supports.



Secure through the base of the bracket from underneath with the 2 screws provided.

SERVICING REQUIREMENTS



Servicing and Support

To keep your appliance looking and performing at its best, it must be serviced annually. This service must be undertaken by a suitably qualified individual and your retailer can organise this for you. Alternatively, Gazco offer a manufacturers premium service with our friendly team of qualified engineers which can be booked at www.gazco.com/suppor



DURING SERVICING OF THIS APPLIANCE IT MAY BE NECESSARY TO CUT CABLE TIES IN ORDER TO ACCESS AND REMOVE SOME OF THE PARTS. THESE MUST BE REPLACED WHEN REASSEMBLING THE APPLIANCE.

THIS APPLIANCE MUST ONLY BE SERVICED BY A SUITABLY QUALIFIED PERSON.

BEFORE UNDERTAKING ANY WORK ON THE APPLIANCE: SWITCH OFF THE APPLIANCE AND ISOLATE THE POWER SUPPLY ENSURING THERE IS NO POWER TO THE APPLIANCE.

Wait for at least 10 minutes until the appliance has cooled down.

Remote Handset Battery Replacement

Replace with 2 AAA batteries. Make sure the batteries are installed correctly in the remote control.



NOTE: The remote control has a Battery Status indicator (top right corner), after an extended period of displaying empty the LED screen will cease to function despite the handset still being able to send commands. Replace the batteries to restore display.

Maintenance of Motors

The motor used on the flame effect is pre-lubricated for extended bearing life and requires no further lubrication. However, periodic cleaning/vacuuming of the heater unit is recommended.

Resetting the Thermal Cutout Switch

The appliance is fitted with an Electronic Safety Control (E.S.). This is a safety device which switches off the fire if, the appliance overheats for any reason e.g. when covered.

If the heater stops operating whilst the flame effect continues normally, this indicates that the E.S. Control is in operation. The E.S. Control can only be re-set after the appliance has cooled down.

To re-set the E.S:

Switch off the appliance (Manual On/Off switch) and leave for approximately 120 minutes.

Remove any obstruction to the fan heater outlet or other internal parts.

Switch on appliance and the E.S. Control will re-set. Ensure that the appliance is functioning correctly. If the E.S. Control operates again, the appliance should be checked by a competent Electrician.

IMPORTANT

CERTAINES PARTIES EXTERNES DE L'APPAREIL SONT CONSIDÉRÉES, PAR LE FABRICANT, COMME ÉTANT DES SURFACES DE TRAVAIL QUI DEVIENNENT CHAUDES LORSQUE LE CHAUFFAGE EST EN MARCHÉ. IL EST DONC FORTEMENT RECOMMANDÉ D'UTILISER UNE GARDE CONFORME À LA NORME BS 8423 (DERNIÈRE ÉDITION) EN PRÉSENCE DE JEUNES ENFANTS, DE PERSONNES ÂGÉES OU HANDICAPÉES.

LA GRILLE D'ÉVACUATION DU SYSTÈME DE CHAUFFAGE DEVIENT TRÈS CHAUDE LORS DU FONCTIONNEMENT. NE PAS COUVRIR LA GRILLE D'ÉVACUATION NI TOUTE AUTRE PARTIE DE L'APPAREIL.

Pour utilisation uniquement avec une alimentation électrique de 230V, 50Hz.

Veuillez lire ces instructions avec attention avant de procéder à l'installation, et les conserver en lieu sûr car vous en aurez besoin en cas de maintenance et de service.

CET APPAREIL DOIT ÊTRE RELIÉ À LA TERRE

CE PRODUIT NE PEUT ÊTRE UTILISÉ QUE DANS DES LOCAUX BIEN ISOLÉS OU DE MANIÈRE OCCASIONNELLE.

INFORMATIONS IMPORTANTES ET HYGIÈNE ET SÉCURITÉ

Lisez attentivement toutes les instructions avant d'utiliser l'appareil.

Les emballages doivent être jetés dans un centre de recyclage approprié.

Ne pas placer l'appareil immédiatement au-dessous d'une sortie fixe de prise.

Certaines parties externes de l'appareil sont considérées, par le fabricant, comme étant des surfaces de travail qui deviennent chaudes lorsque le chauffage est en marche. Vous devez utiliser une garde adéquate pour protéger les enfants, les personnes âgées et les infirmes.

Ne pas utiliser cet appareil à proximité immédiate d'une baignoire, d'une douche, d'une piscine ou de tout autre lieu où l'appareil risque d'être en contact avec l'eau.



ATTENTION: NE PAS RECOUVRIR!

ATTENTION: Ne pas recouvrir l'appareil ou boucher l'arrivée / la sortie d'air car cela risque de provoquer la surchauffe de l'appareil. Veuillez noter le symbole d'avertissement sur l'appareil (voir ci-dessus).

Uniquement pour utilisation à l'intérieur. Cet appareil n'est pas adapté à une utilisation à l'extérieur de la maison.

Cet appareil doit reposer sur une surface plate et ferme, et non pas sur une moquette ou un tapis. Veiller à ce que l'ameublement, les rideaux, etc. ne soient pas à moins d'un mètre de l'appareil et l'appareil doit reposer sur une surface pouvant supporter des températures de 90° C pendant des périodes prolongées. Ne jamais poser un tapis à moins de 500 mm de la face du poêle.

Lorsque le câble d'alimentation électrique doit passer à travers une cheminée, un entourage en pierre, etc., le munir d'une bague en caoutchouc aux points de frottement possible.

En cas d'installation dans une cheminée ouverte, boucher le conduit de fumée de manière à réduire le risque de refoulement susceptible de provoquer le déclenchement du dispositif d'arrêt d'urgence.

Éloigner le câble d'alimentation électrique des surfaces chaudes et des zones à haute température. Ne pas faire passer le câble d'alimentation électrique devant l'appareil.

Une fois l'appareil installé, l'emplacement de la prise doit être accessible.

Si le câble d'alimentation électrique est endommagé, ne pas utiliser l'appareil jusqu'à ce qu'il ait été remplacé. Pour des questions de sécurité, le remplacement doit être effectué par la société Gazco, un agent de service Gazco ou bien par un électricien compétent.

ATTENTION : Afin d'éviter tout danger suite à une réinitialisation accidentelle de la coupure thermique, cet appareil ne doit pas être alimenté par un dispositif de commutation externe, comme un minuteur ou connecté à un circuit qui est régulièrement mis sous et hors tension par l'utilité.

Ne pas utiliser l'appareil s'il est endommagé.

Les réparations des appareils électriques ne doivent être effectuées que par un électricien. Si l'appareil ne fonctionne pas ou en cas de dommages, veuillez contacter le revendeur qui vous a livré l'appareil.

Cet appareil peut être utilisé par des enfants âgés de 8 ans et plus et par des personnes ayant des capacités physiques, sensorielles ou mentales réduites ou manquent d'expérience et de connaissances, si elles sont sous surveillance ou suivent les instructions relatives à l'utilisation de l'appareil de manière sûre et comprennent les risques inhérents. De ne pas laisser les enfants jouer avec l'appareil. De ne pas laisser les enfants effectuer le nettoyage et l'entretien sans surveillance.

Les enfants de moins de 3 ans doivent toujours être tenus éloignés sauf s'ils sont constamment surveillés.

Les enfants entre 3 ans et 8 ans ne devront mettre sous/hors tension l'appareil que si ce dernier a été placé ou installé dans sa position d'utilisation normale prévue et sous surveillance ou en suivant les instructions relatives à l'utilisation de l'appareil de manière sûre et s'ils comprennent les risques inhérents. Les enfants entre 3 ans et 8 ans ne devront pas brancher, régler et nettoyer l'appareil ni l'entretenir.

Attention: certaines pièces de ce produit peuvent devenir très chaudes et provoquer des brûlures. Une attention particulière doit être accordée aux enfants et aux personnes vulnérables.

Toutefois, Gazco recommande :

L'usage de cet appareil est déconseillé aux personnes de moins de 12 ans, aux personnes aux capacités intellectuelles, sensorielles ou physiques limitées ou aux personnes qui manquent d'expérience et de connaissance pour manipuler cet appareil en toute sécurité.

L'appareil peut être manipulé par des personnes de plus de 12 ans à condition qu'elles aient bien assimilé les consignes de sécurité de l'appareil et qu'elles ont compris les risques encourus. Les personnes âgées de plus de 12 ans peuvent aussi manipuler l'appareil sous la surveillance d'un adulte responsable.

Les pièces de cet appareil deviennent chaudes quand il est en marché et il ne faut en aucun cas laisser des personnes de moins de 12 ans sans surveillance avec le produit en marche à moins qu'un coupe-feu ne soit utilisé pour les empêcher d'entrer en contact direct avec l'appareil.

De ne pas laisser les enfants jouer avec l'appareil.

De ne pas laisser les enfants effectuer le nettoyage et l'entretien sans surveillance.

MODE D'EMPLOI



ATTENTION! Ne pas allumer l'appareil s'il est endommagé ou en cas de dysfonctionnement. Si vous pensez que l'appareil est endommagé ou en cas de dysfonctionnement, veuillez contacter un technicien de service qualifié pour inspecter l'appareil, et remplacer toutes pièces du circuit électrique si nécessaire avant de le remettre en marche.

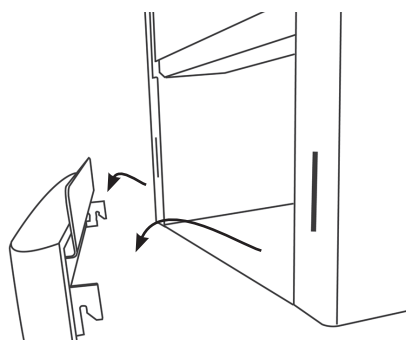
De ne pas débrancher l'appareil du secteur lorsque l'appareil fonctionne. Utilisez les fonctions de la télécommande pour arrêter le feu et veillez à ce que l'interrupteur d'alimentation soit placé sur la position arrêt avant de débrancher.

REPLACEMENT DE L'INTERRUPTEUR MARCHE/ARRÊT

VOGUE MIDI/ MIDI T MODÈLES

Les commandes manuelles sont situées derrière le socle.

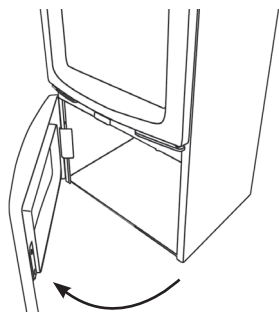
Pour accéder aux commandes, retirez la plinthe en soulevant les crochets pour les libérer des fentes situées sur le devant de l'appareil.



VOGUE MIDI MIDLINE/ HIGHLINE

Les commandes manuelles sont situées derrière le panneau inférieur.

À partir du côté droit, tirez sur la porte inférieure pour l'ouvrir et accéder aux commandes.

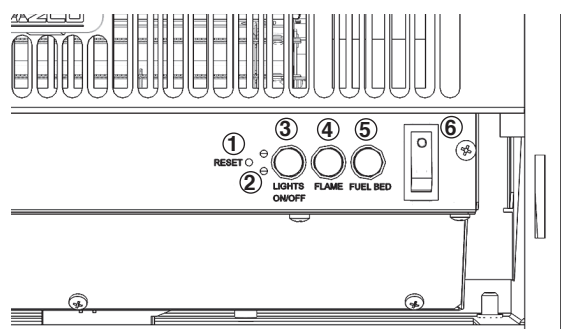


PANNEAU DE COMMANDE MANUELLE



REMARQUE : Pour utiliser les fonctions de la télécommande et manuelles, l'interrupteur marche/arrêt manuel doit être sur la position 'ON'. Pour éviter une surchauffe du produit, il y a un délai de 10 s lors de la mise en marche de l'appareil de chauffage et un délai de 10 s lors de l'arrêt du ventilateur de l'appareil de chauffage.

Le bouton manuel commande les fonctions de base, pas toutes les commandes. Utilisez la télécommande pour exécuter toutes les commandes.



1. Bouton Réinitialisation de la télécommande
2. Indicateurs de fonctionnement de l'appareil de chauffage
3. Bouton Marche/Arrêt toutes les lumières
4. Bouton d'effet flamme
5. Lit de combustible bouton de réglage
6. Stand-by On/Off Interrupteur

UTILISATION DE L'APPAREIL

Appuyez sur 6 pour **allumer/éteindre** l'appareil.



REMARQUE : Pour utiliser les fonctions de la télécommande et manuelles, l'interrupteur marche/arrêt manuel doit être sur la position 'ON'. Pour éviter une surchauffe du produit, il y a un délai de 10 s lors de la mise en marche de l'appareil de chauffage et un délai de 10 s lors de l'arrêt du ventilateur de l'appareil de chauffage.

Le bouton manuel commande les fonctions de base, pas toutes les commandes. Utilisez la télécommande pour exécuter toutes les commandes.

MISE SOUS/HORS TENSION

Appuyez sur 3 pour **allumer/éteindre les flammes et le lit de combustible en même temps.**

Appuyez sur 4 pour sélectionner la couleur de la flamme ou revenir à la position ARRÊT.

Il existe 3 options de couleur de flamme :

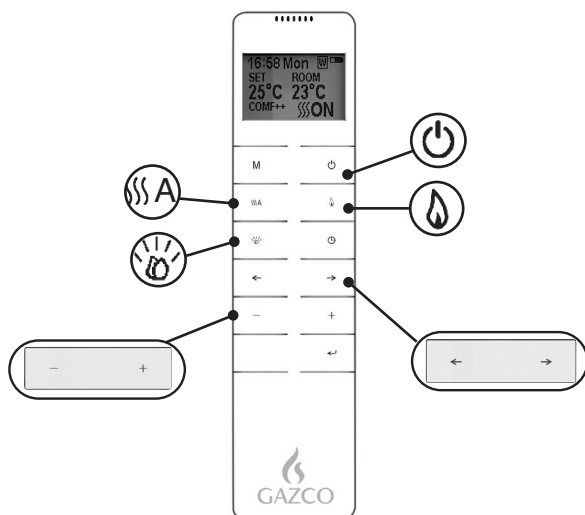
Appuyez sur 5 pour sélectionner la couleur du lit de combustible ou revenir à la position ARRÊT.

Il existe 14 options de couleur de lit de combustible.

Remarque : Les fonctions d'éclairage de l'appareil seront effacées lorsque l'interrupteur sera placé sur la position Arrêt ou si la télécommande est déchargée.

COMMANDES À DISTANCE

La télécommande doit être posée sur une surface plane dans la pièce où l'appareil est installé et loin du courant d'air chaud direct.



- Alimentation

- Chauffage/ Avance

- Flamme

- Lit de combustible

- Options de couleur

- Niveaux

UTILISATION DE L'APPAREIL - DÉMARRAGE RAPIDE

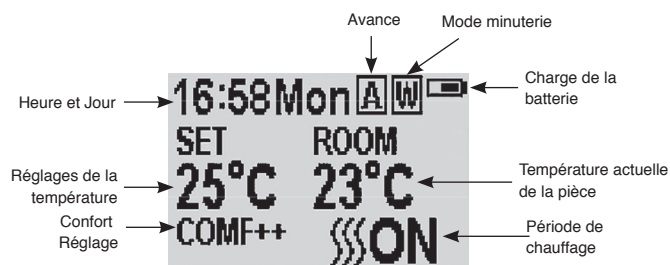
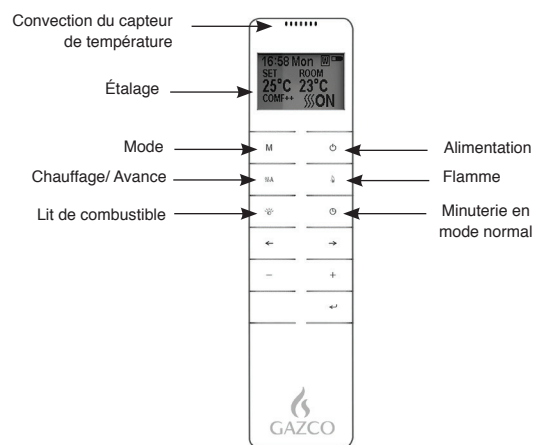
Allumer/éteindre l'appareil
L'appareil démarrera sur le dernier réglage enregistré.

Allumer/éteindre le chauffage.
 - Augmente ou diminue la chaleur émise.

Allumer/éteindre l'effet flamme.
 - Changer l'option de couleur.
Il existe 3 options de couleur de flamme.
 - Augmente ou diminue le niveau de luminosité.

Allumer/éteindre l'effet du lit de combustible.
 - Changer l'option de couleur.
Il existe 14 options de couleur de lit de combustible.
 - Augmente ou diminue le niveau de luminosité.

UTILISATION DE L'APPAREIL - FONCTIONNEMENT AVANCÉ



CODE DE SIGNAL

La télécommande fonctionne par signal radio. L'émetteur portatif est configuré en usine avec un code de signal unique.

IMPORTANT : Si le casque perd le signal ou doit être remplacé, veuillez consulter la Section réparation pour en savoir plus.

REMARQUE : la télécommande comporte un témoin de piles (coin supérieur droit) ; après un affichage prolongé de l'état vide, l'écran LED cessera de fonctionner même si la télécommande peut encore envoyer des commandes. Remplacer les piles pour rétablir l'affichage.

MISE SOUS/HORS TENSION

Appuyez sur le bouton pour activer l'effet flamme.

Appuyez sur le bouton pour désactiver toutes les fonctions en mode de commande de chauffage normal y compris l'effet flamme et l'appareil de chauffage du ventilateur.

Appuyez sur le bouton pour désactiver l'effet flamme en mode de chauffage minuté quotidien et hebdomadaire.

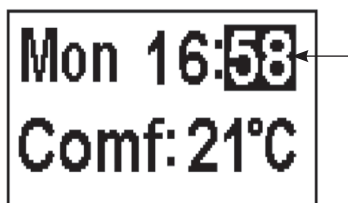
RÉGLAGE DE L'UNITÉ ET DE LA TEMPÉRATURE DE CONFORT/JOURS DE LA SEMAINE/HEURE

Veillez à bien régler l'horloge.

Maintenez le **M** bouton pressé pendant 3 secondes pour entrer dans l'écran de réglage.

Appuyez sur le bouton '←' ou '→' pour choisir le paramètre à changer.

Le caractère sélectionné sera mis en surbrillance.



Appuyez sur le bouton '+' ou '-' pour régler le nombre.

Heure : Système 24 heures.
Sélectionnez une température de confort entre 15-25°C.
Unité de température : °C/°F.

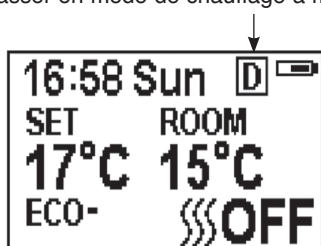
Appuyez sur le bouton **↵** pendant 3 secondes ou attendez 10 secondes pour enregistrer et quitter le réglage de la semaine, heure et température.

CHAUFFAGE À MINUTERIE QUOTIDIENNE

Les périodes de chauffage suivantes ont été prédéfinies, celles-ci peuvent être modifiées selon les besoins :

06:00 jusqu'à 08:00
17:00 jusqu'à 22:00

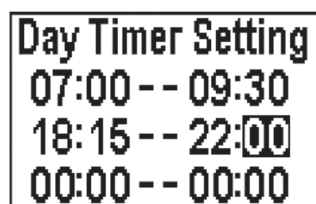
Appuyez sur **M** jusqu'à ce que **D** s'affiche en haut à droite de l'écran pour passer en mode de chauffage à minuterie quotidienne.



Maintenez le bouton **↵** pressé pendant 6 secondes pour entrer dans le paramètre du chauffage quotidien.
3 périodes de chauffage minutées maximum peuvent par configurées par jour.

Appuyez sur '←' ou '→' pour choisir heure ou minute.

Appuyez sur '+' ou '-' pour régler le nombre.
Les minutes augmentent / diminuent de 15 par pression.



Maintenez le bouton **↵** pressé pendant 3 secondes ou attendez 10 secondes pour enregistrer et quitter le réglage de la période de chauffage.

Contrôlez le réglage de la minuterie. Appuyez sur **↵** pour contrôler le mode minuterie quotidienne.

Si le chauffage doit être arrêté, il faudra revenir en arrière au Mode de commande normale pour l'arrêter.

Lorsque vous êtes en Mode minuterie quotidienne, l'arrêt de l'appareil avec la télécommande coupera la puissance calorifique. La puissance calorifique se poursuivra selon les réglages de la minuterie.

RÉGLAGE DE LA TEMPÉRATURE DÉFINIE

Appuyez sur le bouton '+' ou '-' pour augmenter ou réduire la température sur la base de la température COMF.

COMF signifie que la température actuelle est la même que le réglage.

ECO signifie que la température actuelle est 2°C inférieure à la température du réglage.

ECO- signifie 4°C inférieure.

COMF+ signifie 2°C supérieure.

COMF++ signifie 4°C supérieure.

COMMANDE DE MISE EN ROUTE ADAPTIVE

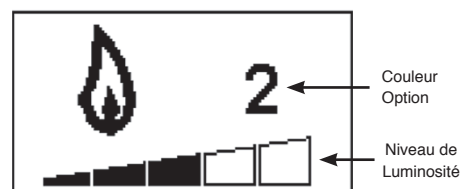
Selon la température de la pièce et la température définie, l'appareil de chauffage déterminera automatiquement l'heure appropriée à laquelle chauffer pour s'assurer qu'elle atteindra la température définie dans la durée définie (jusqu'à 45 minutes avant l'heure définie).

AJUSTEMENT DE LA COULEUR DE LA FLAMME

Appuyez sur le  bouton pour entrer dans l'écran d'ajustement de la flamme.

Il y a 3 options de couleur de flamme, indiquées par le nombre.

Il y a 6 niveaux de luminosité, y compris arrêt. Ceci est indiqué par la barre, avec la barre vierge indiquant arrêt.



Appuyez sur le bouton '←' ou '→' pour parcourir les options de couleur de flamme.

Appuyez sur le bouton '+' pour augmenter la luminosité de la flamme.

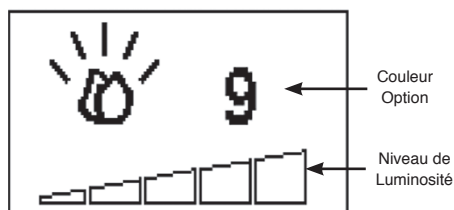
Appuyez sur le bouton '-' pour réduire la luminosité de la flamme jusqu'à l'éteindre.

AJUSTEMENT DE LA COULEUR DU LIT DE COMBUSTIBLE

Appuyez sur pour entrer dans l'écran d'ajustement de la lumière du lit de combustible.

Il y a 14 options de couleur de lit de combustible, indiquées par le nombre.

Il y a 6 niveaux de luminosité, y compris arrêt. Ceci est indiqué par la barre, avec la barre vierge indiquant arrêt.



Appuyez sur le bouton '←' ou '→' pour parcourir les options de couleur de lit de combustible.

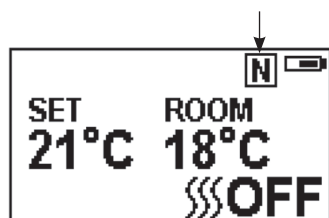
Appuyez sur le bouton '+' pour augmenter la luminosité du lit de combustible.

Appuyez sur le bouton '-' pour réduire la luminosité du lit de combustible jusqu'à l'éteindre.

MODE DE COMMANDE NORMALE

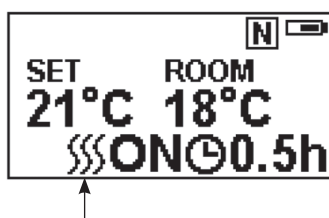
Le Mode de commande normale est le réglage par défaut.

Sinon appuyez sur le bouton **M** jusqu'à ce que le logo **N** s'affiche en haut à droite de l'écran.



Appuyez sur le bouton '+' ou '-' pour régler la température entre 17 °C et 25°C.

Appuyez sur le bouton pour mettre sous/hors tension l'appareil de chauffage, MARCHÉ ou ARRÊT s'affichera en bas à droite de l'écran.



Remarque : Il est normal que l'appareil de chauffage à ventilateur s'arrête de fonctionner pendant certaines durées. Ceci se produit lorsque la température de la pièce est supérieure à la température définie sur la commande.

L'indicateur de chauffage s'éteindra au bout de 10 s si la flamme est allumée. L'indicateur de chauffage restera allumé si seule la fonction chauffage est utilisée.

Lorsque vous êtes en Mode de commande normale, l'arrêt de l'appareil avec la télécommande coupera la puissance calorifique et la lumière.

COMPTE À REBOURS

Ce réglage est uniquement en mode de commande de chauffage normale. Il permet à l'appareil de revenir en mode de veille après un certain temps. L'appareil de chauffage doit être mis en marche pour utiliser cette fonction.

Appuyez sur pour parcourir les réglages d'Arrêt et 0,5 heures à 9 heures. Le logo de la minuterie et le temps restant s'afficheront à l'écran.

Le chauffage de l'appareil peut être lancé automatiquement en utilisant la minuterie quotidienne et la minuterie hebdomadaire sur la télécommande.

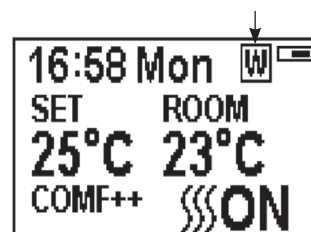
CHAUFFAGE À MINUTERIE HEBDOMADAIRE

Les périodes de chauffage suivantes ont été prédéfinies, celles-ci peuvent être modifiées selon les besoins:

Du lundi au vendredi
06:00 jusqu'à 08:30
17:00 jusqu'à 22:00

Du samedi au dimanche
06:30 jusqu'à 09:30
11:00 jusqu'à 13:00
17:00 jusqu'à 22:00

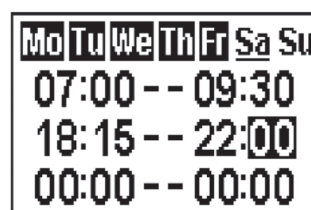
Appuyez sur **M** jusqu'à ce que s'affiche en haut à droite de l'écran pour passer en mode de chauffage semaine.



Maintenez le bouton pressé pendant 6 secondes pour entrer dans le réglage du mode de chauffage à minuterie hebdomadaire.

Appuyez sur '←' ou '→' pour déplacer le curseur (un caractère de soulignement clignotant).

Appuyez sur le bouton à la position semaine correspondante pour sélectionner (le caractère est en surbrillance) ou annuler (le caractère est affiché normalement) le réglage actuel, la même durée peut être sélectionnée.




Appuyez sur le bouton '→' pour déplacer le curseur dans la même zone de réglage de durée.


Appuyez sur le bouton '←' ou '→' pour choisir heure ou minute.


Appuyez sur '+' ou '-' pour régler le nombre.

3 périodes de chauffage minutées maximum peuvent par configurées par jour.

Les minutes augmentent / diminuent de 15 par pression.

Appuyez sur  pour définir l'heure de chauffage du jour sélectionné et retourner à la ligne semaine.

Maintenez le bouton  pressé pendant 3 secondes ou attendez 10 secondes pour enregistrer et quitter le réglage de la période de chauffage.

Appuyez sur  '←' ou '→' pour contrôler le réglage de la minuterie pour le mode de chauffage à minuterie hebdomadaire.

Si le chauffage doit être arrêté, il faudra revenir en arrière au Mode de commande normale pour l'arrêter.

Lorsque vous êtes en Mode minuterie hebdomadaire, l'arrêt de l'appareil avec la télécommande coupera la puissance calorifique. La puissance calorifique se poursuivra selon les réglages de la minuterie.

RÉGLAGE DE LA TEMPÉRATURE DÉFINIE

Appuyez sur le bouton '+' ou '-' pour augmenter ou réduire la température sur la base de la température COMF.

COMF signifie que la température actuelle est la même que le réglage.

ECO signifie que la température actuelle est 2°C inférieure à la température du réglage.

ECO- signifie 4°C inférieure.

COMF+ signifie 2°C supérieure.

COMF++ signifie 4°C supérieure.

COMMANDE DE MISE EN ROUTE ADAPTIVE

Selon la température de la pièce et la température définie, l'appareil de chauffage déterminera automatiquement l'heure appropriée à laquelle chauffer pour s'assurer qu'elle atteindra la température définie dans la durée définie (jusqu'à 45 minutes avant l'heure définie).

MODE AVANCE



L'état de chauffage peut être avancé à la période suivante en mode chauffage à minuterie hebdomadaire et quotidienne.



Si le chauffage est activé dans la période en cours, une pression sur le bouton désactivera le chauffage.

Si le chauffage est désactivé dans la période en cours, une pression sur le bouton activera le chauffage.

L'activation/désactivation du chauffage en cours dépendra également de la température de la pièce et du réglage.

Appuyez sur  **A** pour passer en mode Avance sous le mode de chauffage à minuterie hebdomadaire et quotidienne,  s'affichera en haut à droite de l'écran.

Appuyez sur  **A** à nouveau ou attendez la fin de la durée de la minuterie pour quitter le mode Avance.

DÉTECTION DE FENÊTRE OUVERTE

Lorsque l'émetteur détecte une chute rapide de la température de la pièce, elle sera considérée comme une fenêtre ouverte : l'icône d'avertissement s'affichera et le chauffage sera automatiquement désactivé.



Une fois que la température ambiante aura remontée ou après une intervention manuelle (en utilisant la télécommande), il retournera à l'état de fonctionnement normal.

UTILISATION DE L'APPAREIL - DÉPANNAGE

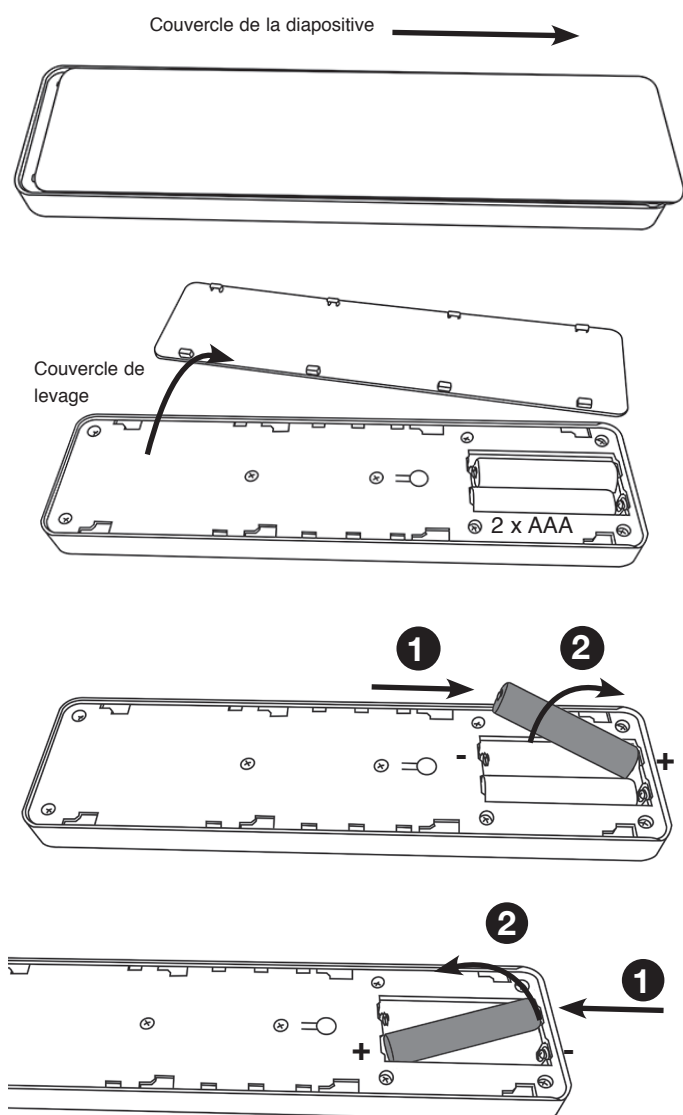
BATTERIE

Le niveau de puissance de la batterie est indiqué en haut à droite de l'écran de la télécommande.

	Batterie chargée	Aucune action requise
	Batterie à moitié chargée	Veillez à avoir des piles neuves à disposition.
	Batterie déchargée	Changez immédiatement les piles

REMPACEMENT DE LA BATTERIE

Les piles épuisées doivent être retirées de l'appareil et éliminées en toute sécurité.



Veiller à ce que les piles électriques de la télécommande soient neuves et insérées correctement.

Lors du remplacement des piles, veiller à disposer des vieilles piles conformément à la bonne pratique.

Un remplacement de la batterie est recommandé au bout de 1 an. La Télécommande a besoin de deux piles alcalines AAA 1,5V.

Assurez-vous que la polarité est correcte. Ne court-circuitez pas les bornes.

N'essayez pas de recharger des piles non rechargeables.

Retirez les piles rechargeables avant de les charger.

Ne mélangez pas des piles anciennes et neuves.

Retirez les piles si l'appareil n'est pas utilisé pendant de longues périodes.

Le changement des piles n'affectera pas les réglages du Mode minuterie, toutefois, l'horloge devra peut-être être réglée.



REMARQUE : Pour utiliser les fonctions de la télécommande et manuelles, l'interrupteur marche/arrêt manuel doit être sur la position 'ON'. Pour éviter une surchauffe du produit, il y a un délai de 10 s lors de la mise en marche de l'appareil de chauffage et un délai de 10 s lors de l'arrêt du ventilateur de l'appareil de chauffage.

Le bouton manuel commande les fonctions de base, pas toutes les commandes. Utilisez la télécommande pour exécuter toutes les commandes.

INDICATEURS DE FONCTIONNEMENT DE L'APPAREIL DE CHAUFFAGE

Lorsque l'appareil de chauffage du ventilateur est utilisé avec les effets flamme ou lit de combustible, les indicateurs de fonctionnement de l'appareil de chauffage s'allumeront pendant 10 secondes.

Les LED s'allumeront pendant 10 secondes si l'effet flamme ou lit de combustible est Activé.

Si l'appareil de chauffage du ventilateur est utilisé indépendamment, les indicateurs de fonctionnement de l'appareil de chauffage resteront allumés.

BOUTON RÉINITIALISATION DE LA TÉLÉCOMMANDE

Si le casque perd le signal ou doit être remplacé, veuillez consulter la Section réparation pour en savoir plus.

CODE DE SIGNAL

La télécommande fonctionne par signal radio. L'émetteur portatif est configuré en usine avec un code de signal unique.

IMPORTANT : Si le casque perd le signal ou doit être remplacé, veuillez consulter la Section réparation pour en savoir plus.

MAINTENANCE



IMPORTANT : LE PANNEAU EXTERNE DU GAZCO VOGUE EST FABRIQUÉ EN FONTE. PRENEZ LE PLUS GRAND SOIN LORS DE SON INSTALLATION, DE SON RETRAIT ET DE SON STOCKAGE, CAR LES COMPOSANTS SONT LOURDS ET DOIVENT ÊTRE MANIPULÉS SOIGNEUSEMENT.

TOUJOURS COUPER L'ALIMENTATION ÉLECTRIQUE PRINCIPALE AVANT D'ENTREPRENDRE LE NETTOYAGE OU L'EXÉCUTION DE LA MAINTENANCE.

GENERAL NETTOYAGE

Ne procéder au nettoyage du cadre externe que lorsqu'il est froid. Ne pas utiliser de nettoyeurs abrasifs.

NETTOYER LES FRONTS

Essuyer le panneau vitré d'observation avec un chiffon humide et le polir avec un chiffon non pelucheux.

Attention : ne pas utiliser de nettoyeurs abrasifs sur le panneau en verre. Ne pas projeter de liquide directement sur les surfaces de l'appareil.

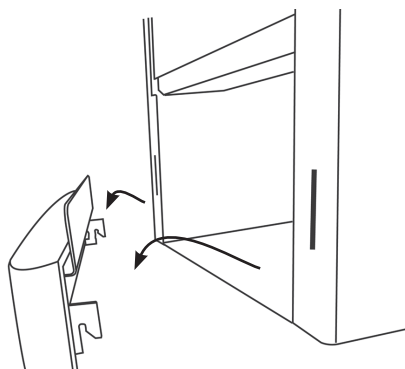
NETTOYAGE DE L'EFFET DE CARBURANT

Pour accéder à l'effet combustible, il est nécessaire de déposer la vitre de visualisation.

Couper l'alimentation électrique principale.

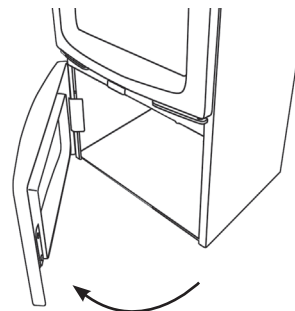
VOGUE MIDI MODÈLES

Retirer le panneau en soulevant les crochets des encoches à l'avant de l'appareil.



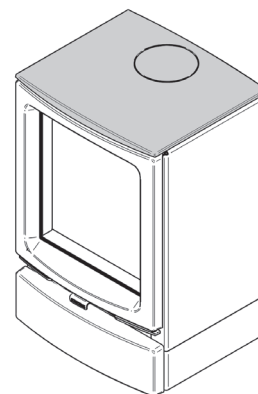
VOGUE MIDI MIDLINE MODÈLES

À partir du côté droit, tirez sur la porte inférieure pour l'ouvrir



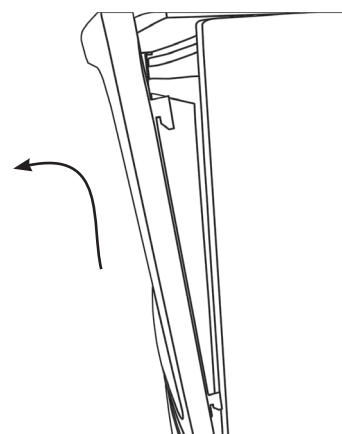
TOUS LES MODÈLES

Retirer le dessus en fonte et le mettre soigneusement de côté.

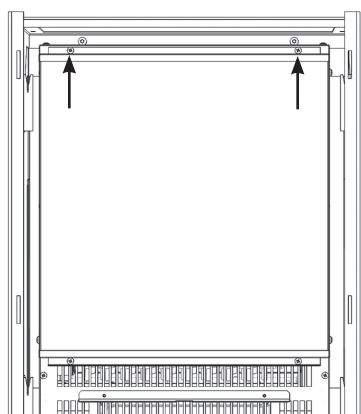


Vogue Midi illustré

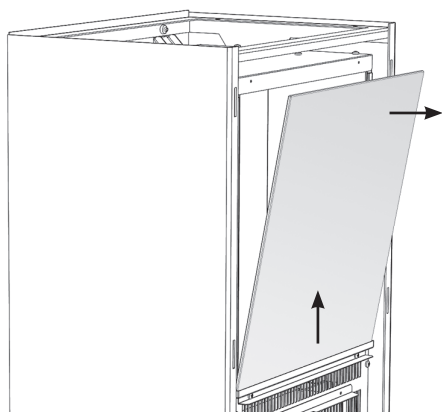
Retirer le cadre en fonte pour accéder à l'ouverture d'observation en soulevant les crochets des encoches à l'avant de l'appareil.



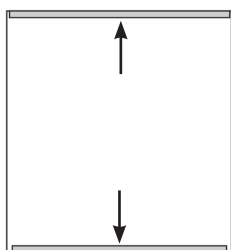
Ôter les 2 vis supérieures et l'équerre fixant la plaque de verre frontale à l'appareil. Veillez à bien soutenir la vitre lors du retrait des vis.



Faire basculer la vitre avec précaution et la soulever de l'équerre inférieure pour la retirer. Posez-la soigneusement sur un côté.



Remarque : Lors du remontage de la vitre, assurez-vous que les joints du verre supérieur et inférieur sont en place sur la vitre. Le joint inférieur peut rester dans le support du bas, si cela se produit, il sera nécessaire d'extraire soigneusement le joint et de le repositionner au centre sur le bas de la vitre avant de la réinstaller.



L'effet combustible est maintenant accessible.

Déposer et laver l'effet combustible pour éliminer toute particule de poussière. Autrement, le nettoyer avec un chiffon sans peluches. **Veiller à ce que l'effet soit sec avant de le remettre en place.**

Lors du remplacement des effets combustibles, voir Installation, section 4, pour obtenir les instructions d'agencement.

Remonter dans l'ordre inverse.

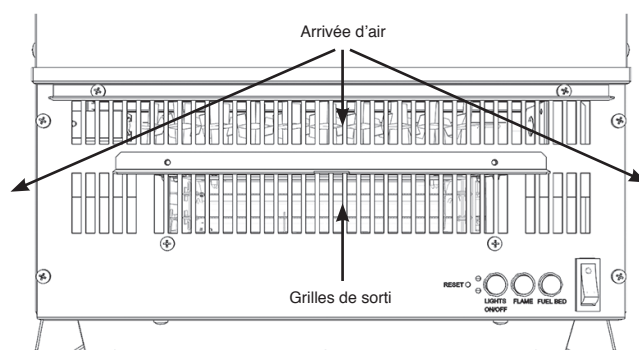
NETTOYAGE DES ARRIVÉES D'AIR

Couper l'alimentation électrique principale.

Retirez le socle (modèles Midi/ Midi T) ou ouvrez le panneau (modèles Midi Midline/ Highline), retirez le dessus en fonte et le cadre en fonte, voir la Section 3.5 à 3.8.

Nettoyer l'arrivée d'air et les grilles de sortie régulièrement à l'aide d'un chiffon doux ou du bec d'un aspirateur.

Remarque : Il y a des entrées d'air entre les compartiments intérieur et extérieur, veillez à ce qu'elles soient nettoyées régulièrement.



L'accumulation de poussière réduit l'efficacité du ventilateur et peut provoquer le déclenchement du dispositif d'arrêt d'urgence.

Maintenir les alentours du poêle propres et libres de peluche, de poussière ou de poils d'animaux.

En particulier, l'accumulation de poussière etc. peut avoir lieu autour de la zone de chauffage sur le haut de l'appareil. Prendre particulièrement soin de maintenir cette surface libre de débris régulièrement pour éviter l'accumulation.

INSTALLATION

GÉNÉRALITÉS

OUTILS NÉCESSAIRES

L'installation de cet appareil ne requiert aucun outil.

DÉBALLAGE DE L'APPAREIL

ATTENTION ! NE PAS utiliser cet appareil si l'un de ses composants a été exposé à l'eau.

Faire appel immédiatement à un technicien de service qualifié pour inspecter et remplacer tout composant du système électrique, le cas échéant.

Ouvrir l'emballage avec précaution et enlever le polystyrène. Enlever et disposer du sac en plastique. Conserver les emballages en plastique hors de la portée des enfants.

Soyez responsable lors de la manutention des matériaux d'emballage.

Avant de disposer de l'emballage, vérifier qu'il ne contient aucun composant ou accessoire.

Au besoin, conserver l'emballage d'origine pour un transport et/ou entreposage futur.



Cet appareil est lourd et n'a pas besoin d'ancrage sur le foyer ou au sol. Cependant, dans certains cas, l'appareil peut devenir instable, par exemple lorsque l'on s'y adosse. Si ce cas de figure est susceptible de se produire, ancrez l'appareil sur le foyer ou au sol à l'aide de fixations solides adaptées.

POSITIONNER L'APPAREIL

Votre nouveau Vogue Électrique peut être installé pratiquement n'importe où chez vous. Toutefois lors du choix de l'emplacement respecter les instructions générales suivantes.

Pour les meilleurs résultats possibles, éviter de l'installer directement en plein soleil.

Si le câble d'alimentation électrique est endommagé, ne pas utiliser l'appareil jusqu'à ce qu'il ait été remplacé. Pour des questions de sécurité, le remplacement doit être effectué bien par un électricien compétent.

L'appareil doit être installé à proximité d'une prise de courant appropriée pour en permettre le branchement. La prise électrique doit être facile d'accès pour permettre le débranchement une fois l'appareil installé.

Cet appareil doit reposer sur une surface plate et ferme, et non pas sur une moquette ou un tapis. Veiller à ce que l'ameublement, les rideaux, etc. ne soient pas à moins d'un mètre de l'appareil et l'appareil doit reposer sur une surface pouvant supporter des températures de 90° C pendant des périodes prolongées. Ne jamais poser un tapis à moins de 500 mm de la face du poêle.

Veiller à ce que les rideaux et les meubles ne sont pas positionnés à proximité de la position choisie, car cela créerait un risque d'incendie ou de bloquer les conduits de sortie de chauffage.

AVERTISSEMENT ! CONSERVER LES MATÉRIAUX COMBUSTIBLES À AU MOINS 1 M DE DISTANCE DU DEVANT ET DES CÔTÉS DE L'APPAREIL ÉLECTRIQUE.

OUVERTURES POUR TOUS LES APPAREILS INGLENOOK:

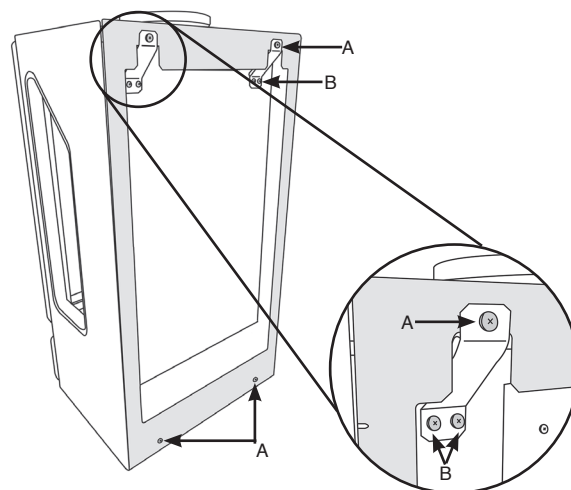
Pour tous les modèles, les dimensions requises pour l'installation d'un appareil Inglenook peuvent être calculées en ajoutant 225 mm à la hauteur de l'appareil et 150 mm à chaque côté. 50 mm supplémentaires doivent être ajoutés à la profondeur de manière à fournir un espace adéquat derrière l'appareil.

FIXATION DE L'APPAREIL AU MUR - VOGUE MIDI T 3 CÔTÉS SEULEMENT

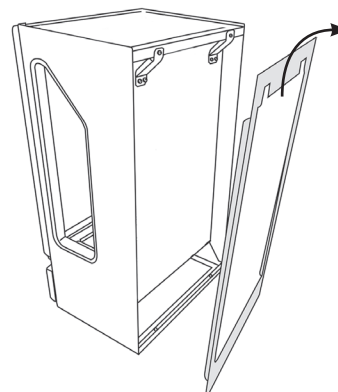
Lors d'une installation murale du Vogue, il sera nécessaire de retirer le panneau de protection arrière.

Enlevez les 4 vis, voir Schéma, flèche A.

Desserrez les 4 vis, voir Schéma, Flèche B.



Soulevez le panneau de protection des supports supérieurs.



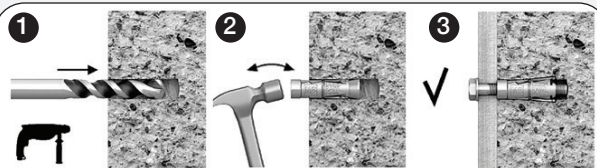
Resserrez les 4 vis desserrées (schéma, flèche B) et remettez les 2 vis supérieures (schéma, flèche A).



AVERTISSEMENT : Cet appareil pèse 62 kg. Le fabricant a conçu cet appareil pour qu'il soit fixé sur un mur en maçonnerie. Les fixations fournies sont prévues à cette fin. S'il doit être installé sur une paroi montée sur liteaux, les points de fixation doivent traverser les liteaux en bois et pas la plaque de plâtre. **NE PAS** fixer uniquement à une paroi en plaques de plâtre.



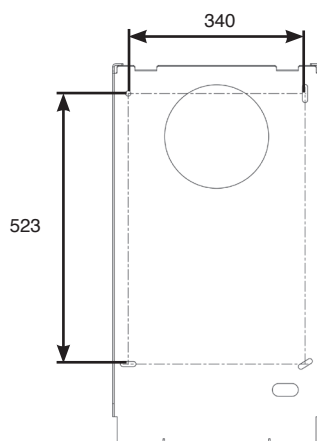
Les fixations fournies dans le kit de montage mural sont des chevilles R-RBL qui doivent être installées de la manière décrite ci-dessous.



Le support doit avoir une épaisseur de 100 mm minimum.

1. Percer un trou - Diamètre : 14 mm x Profondeur : 65 mm.
Remarque : Pour une fixation dans la brique, il faut éviter les joints en mortier. Enlever les débris et bien nettoyer le trou avec une brosse et une pompe.
2. Retirer le boulon et la rondelle préassemblés. Insérer le bouclier dans le trou et l'enfoncer avec un marteau jusqu'à ce qu'il soit de niveau avec la surface.
3. Insérer le boulon et sa rondelle à travers l'appareil et dans le bouclier. Serrer à un couple de 15 Nm.

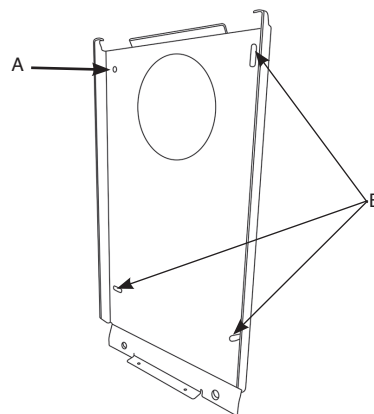
Pour une installation sur une paroi montée sur liteaux, ceux-ci doivent impérativement être situés dans la zone de montage de la fixation murale, voir le schéma.



Positionner le support de montage mural à la position souhaitée.

Marquer et percer le trou de fixation supérieur gauche.

Sécuriser avec une vis, voir le schéma, flèche A. Ne pas serrer à ce stade.



Mettre le support mural de niveau et marquer les 3 autres trous, voir le Schéma, flèche B.

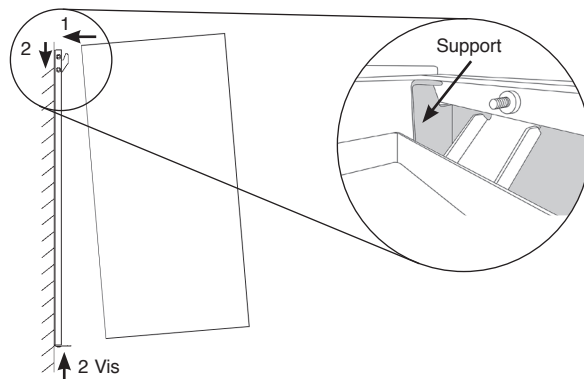
Retirer le support mural et percer les trous de fixation.

Remettre le support de montage mural et le fixer avec les vis. Ne pas serrer à ce stade.

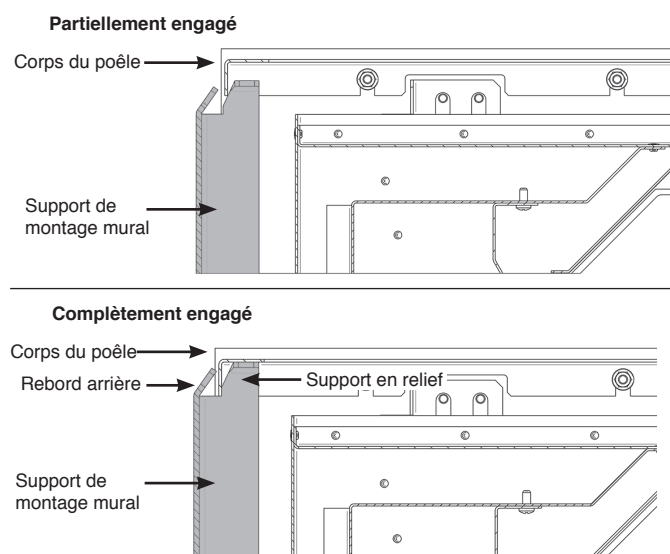
Mettre le support de montage mural de niveau, en le réglant si nécessaire. Serrer les 4 vis.

AVERTISSEMENT : Cet appareil est lourd et doit être manipulé avec précaution. Cet appareil doit être soulevé par deux personnes.

Crocheter le haut du support sous le dessus du châssis en biseau et l'abaisser lentement. Vérifier que le support est entièrement engagé, voir les schémas.



REMARQUE : Le bord arrière supérieur de l'appareil doit se situer entre le rebord arrière du support de montage mural et les supports en relief, voir le schéma.



Fixer l'appareil par la base du support depuis la face inférieure en utilisant les deux vis fournies, voir le schéma.

INSTRUCTIONS D'ENTRETIEN



PENDANT ENTRETIEN DE L'APPAREIL, IL PEUT ÊTRE NECESSAIRE DE COUPER LES LIENS DE CÂBLE POUR ACCÈS ET À LEVER CERTAINES DES PARTIES. IL FAUT LES REMPLACER LORS DU REMONTAGE L'APPAREIL.

LA MAINTENANCE DE CET APPAREIL NE DOIT ÊTRE EFFECTUÉE QUE PAR UNE PERSONNE QUALIFIÉE. AVANT D'EFFECTUER DES TRAVAUX SUR L'APPAREIL: ARRÊTER L'APPAREIL ET ISOLER L'ALIMENTATION ÉLECTRIQUE EN VÉRIFIANT QUE L'APPAREIL N'EST PLUS ALIMENTÉ.

Attendre au moins 10 minutes jusqu'à ce que l'appareil soit froid.

Remplacement de la pile électrique de la télécommande

La remplacer avec 2 x pile électrique de type AAA. Vérifier que la pile est installée correctement dans la télécommande.



REMARQUE : la télécommande comporte un témoin de piles (coin supérieur droit) ; après un affichage prolongé de l'état vide, l'écran LED cessera de fonctionner même si la télécommande peut encore envoyer des commandes. Remplacer les piles pour rétablir l'affichage.

Maintenance des moteurs

Les moteurs du ventilateur et de l'effet flamme sont prégraissés pour prolonger la durée de vie des roulements et ne nécessitent aucun graissage supplémentaire. Toutefois, il est recommandé de nettoyer à l'aide d'un aspirateur périodiquement l'unité ventilateur/ chauffage.

Réenclenchement du disjoncteur thermique

L'appareil est équipé d'un dispositif de sécurité électronique. C'est un dispositif de sécurité qui éteint l'appareil en cas de surchauffe de celui-ci, par ex. lorsqu'il est recouvert.

Si le chauffage s'arrête alors que l'effet flamme continu normalement, cela indique que le dispositif de sécurité est en cours de fonctionnement.

Le dispositif de sécurité ne peut être réenclenché que lorsque l'appareil est froid.

Réenclenchement du dispositif de sécurité :

Éteindre l'appareil (interrupteur manuel On/Off) et le laisser refroidir pendant 120 minutes.

Dégager toute obstruction de la sortie du ventilateur de chauffage ou de toutes autres parties internes.

Allumer l'appareil et le dispositif de sécurité se réenclenchera. Vérifier que l'appareil fonctionne correctement. Si le dispositif de contrôle se déclenche de nouveau, l'appareil doit être vérifié par un électricien compétent.

IMPORTANTE

ALCUNE PARTI DELL'INVOLUCRO ESTERNO DELL'APPARECCHIO SONO CONSIDERATE DAL PRODUTTORE SUPERFICI DI LAVORO CHE SI SCALDANO ALL'ACCENSIONE DEL RISCALDATORE. SI RACCOMANDA QUINDI DI USARE UN PARAFUOCO CONFORME ALLA NORMA BS 8423 (ULTIMA EDIZIONE) IN PRESENZA DI BAMBINI, ANZIANI O INVALIDI.

LA GRIGLIA DI USCITA DEL RISCALDATORE DIVENTA BOLLENTE DURANTE L'USO. NON COPRIRE LA GRIGLIA DI USCITA NÉ ALCUNA PARTE DELL'APPARECCHIO.

Da usare solo con alimentazione elettrica da 230 V, 50Hz.

Leggere attentamente queste istruzioni prima dell'installazione e conservarle in un luogo sicuro, poiché saranno necessarie al momento di eseguire riparazioni o manutenzione.

QUESTO APPARECCHIO DEVE ESSERE PROVVISORIO DI MESSA A TERRA

IL PRESENTE PRODOTTO È ADATTO SOLO A AMBIENTI CORRETTAMENTE ISOLATI O AD UN USO OCCASIONALE.

INFORMAZIONI IMPORTANTI E SALUTE E SICUREZZA

Leggere attentamente tutte le istruzioni prima di utilizzare l'apparecchio.

Rimuovere tutti gli imballaggi e smaltirli presso un'appropriata struttura di riciclaggio.

Non posizionare l'apparecchio subito sotto una presa di corrente fissa.

Alcune parti dell'involucro esterno dell'apparecchio sono considerate dal produttore superfici di lavoro che si scaldano all'accensione del riscaldatore. Utilizzare un parafuoco adeguato per proteggere bambini, anziani e malati.

Non utilizzare questo apparecchio nelle immediate vicinanze di una vasca da bagno, di una doccia, di una piscina o in altre aree in cui potrebbe venire a contatto con acqua o umidità, ad esempio la stanza da bagno.

**ATTENZIONE! NON COPRIRE**

Non coprire l'apparecchio né ostruire la presa o l'uscita dell'aria, per evitare il surriscaldamento dell'apparecchio. Osservare il simbolo di avviso sull'apparecchio (vedere sopra).

Solo per uso interno. Questo apparecchio non è adatto all'uso in aree esterne alla casa.

Posizionare l'apparecchio su una superficie stabile, pulita e orizzontale. Non posizionare il crogiolo su un tappeto. Assicurarsi che mobili, tende e così via si trovino a non meno di 1 metro e che il crogiolo si trovi su una superficie in grado di resistere a temperature di 90 °C per periodi prolungati. Posizionare eventuali tappeti ad almeno 500 mm dalla parte anteriore della stufa.

Se il cavo dell'alimentazione elettrica deve passare attraverso un camino, un rivestimento in pietra e così via, assicurarsi che vengano installate delle protezioni di gomma nei possibili punti di usura.

Se installato in un camino aperto, chiudere la canna fumaria per ridurre il rischio di fiamma di ritorno che può causare la disattivazione del sistema di sicurezza.

Tenere il cavo di alimentazione lontano da superfici calde e condizioni di calore. Non posizionare il cavo di fronte all'apparecchio.

Una volta installato il caminetto, deve essere possibile accedere alla spina.

Se il cavo di alimentazione è danneggiato, non utilizzare l'apparecchio finché non viene sostituito. Per motivi di sicurezza, la sostituzione deve essere effettuata da un responsabile dell'assistenza Gazco o da un elettricista con una qualifica simile.

ATTENZIONE: Per evitare un pericolo dovuto al ripristino involontario dell'interruttore termico, questo apparecchio non deve essere alimentato tramite un dispositivo di commutazione esterno, ad esempio un timer, o collegato a un circuito di comando accensione e spegnimento.

Non utilizzare l'apparecchio se danneggiato.

La riparazione delle apparecchiature elettroniche deve essere eseguita solo da un elettricista. In caso di mancato funzionamento dell'apparecchio o in caso di danni, contattare il rivenditore presso il quale è stato acquistato.

Questo apparecchio può essere utilizzato da bambini di età superiore a 8 anni e persone con ridotte capacità fisiche, sensoriali o mentali o mancanza di esperienza e conoscenza, solo se supervisionati o istruiti sull'uso dell'apparecchio in modo sicuro e se comprendono i rischi che corrono. I bambini non devono giocare con l'apparecchio.

La pulizia e la manutenzione dell'utente non devono essere eseguite da bambini senza supervisione.

I bambini di età inferiore ai 3 anni devono essere tenuti lontano a meno che non siano costantemente supervisionati.

I bambini di età compresa tra 3 anni e meno di 8 anni possono accendere/spegnere l'apparecchio solo se questo è stato collocato o installato nella normale posizione operativa prevista e se sono sorvegliati o istruiti sull'uso dell'apparecchio in modo sicuro e se comprendono i rischi che corrono. I bambini di età compresa tra 3 anni e meno di 8 anni non possono collegare, regolare, pulire l'apparecchio né eseguire interventi di manutenzione.

Attenzione: alcune parti di questo prodotto possono diventare molto calde e causare ustioni. Particolare attenzione deve essere prestata dove sono presenti bambini e persone vulnerabili.

Tuttavia Gazco consiglia:

Questo elettrodomestico non è progettato per essere utilizzato da minori di 12 anni, da persone con capacità fisiche, sensoriali o mentali ridotte o da persone che non hanno l'esperienza o le conoscenze necessarie per mettere in funzione l'elettrodomestico in maniera sicura.

Questo elettrodomestico può essere utilizzato da maggiori di 12 anni purché siano stati istruiti in merito all'utilizzo sicuro dell'elettrodomestico e comprendano i possibili rischi. I minori di 12 anni possono utilizzare questo elettrodomestico purché siano supervisionati da un adulto responsabile.

Alcune componenti di questo elettrodomestico diventano calde in seguito all'utilizzo e in nessun caso i minori di 12 anni devono essere lasciati da soli con il prodotto quando questo è in funzione, a meno che non venga utilizzato un parafuoco idoneo allo scopo di proteggerli dalla possibilità di entrare a diretto contatto con l'elettrodomestico.

I bambini non devono giocare con l'apparecchio.

La pulizia e la manutenzione dell'utente non devono essere eseguite da bambini senza supervisione.

ISTRUZIONI DI FUNZIONAMENTO



ATTENZIONE! Non utilizzare l'apparecchio se danneggiato o se non funziona correttamente. Se si sospetta che l'apparecchio sia danneggiato o che non abbia funzionato correttamente, contattare un tecnico dell'assistenza qualificato per far eseguire un'ispezione e sostituire le parti dell'impianto elettrico se necessario, prima di riutilizzarlo.

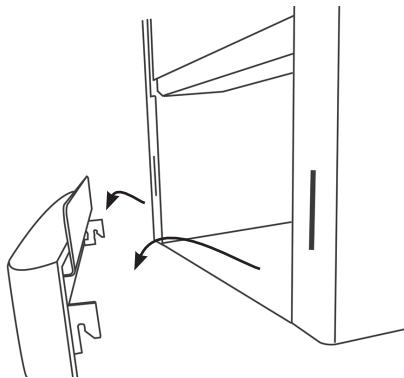
Non scollegare l'alimentazione alla rete elettrica mentre l'apparecchio è in funzione. Utilizzare le funzioni del telecomando per spegnere il fuoco e assicurarsi che l'interruttore di isolamento sia stato spostato in posizione di spegnimento prima di scollegarlo.

POSIZIONE DELL'INTERRUTTORE

VOGUE MIDI/ MIDI T MODELLI

I controlli manuali si trovano dietro la base.

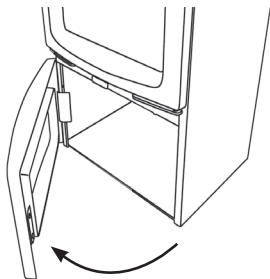
Rimuovere la base per accedere ai comandi manuali sollevando i ganci dalle fessure sulla parte anteriore dell'apparecchio.



VOGUE MIDI MIDLINE/ HIGHLINE MODELLI

I controlli manuali si trovano dietro lo sportello inferiore.

Aprire lo sportello inferiore da destra per accedere ai controlli.

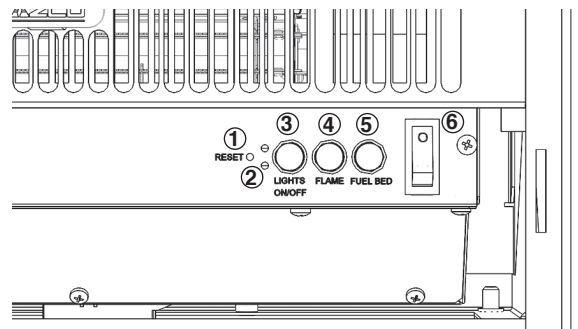


PANNELLO COMANDO MANUALE



NOTA: Per utilizzare entrambe le funzioni remota e manuale, l'interruttore di accensione/spegnimento manuale deve essere in posizione "ON". Per evitare che il prodotto diventi troppo caldo, si verifica un ritardo di 10 secondi all'accensione del riscaldatore e un ritardo di 10 secondi quando si spegne la ventola del riscaldatore.

Il pulsante manuale controlla le funzioni di base, non una gamma completa di controlli. Utilizzare il telecomando per eseguire tutte le funzioni.



1. Knop voor afstandsbediening resetten
2. Verhittingsindicatoren
3. Alle lichten AAN-/UIT-knop
4. Vlam-effectknop
5. Brandstoflaag
6. Standby On/Off Schakelaar

BEDIENINGSINSTRUCTIES

Druk op 6 om het apparaat aan/uit te zetten.



OPMERKING: Om zowel afstandsbediening als handmatige functies te gebruiken, moet de handmatige AAN/UIT-schakelaar in de AAN-positie staan. Om te voorkomen dat het product te heet wordt, is er 10s vertraging wanneer de verhitter wordt ingeschakeld en 10s vertraging wanneer de luchtverhitter wordt uitgeschakeld.

De handmatige basisfuncties met knopbediening, niet alle bedieningsmogelijkheden. Gebruik de bedieningstelefoon om alle functies te kunnen uitvoeren.

Druk op 3 om de vlammen en het brandstofbed tegelijk aan/uit te zetten.

Druk op 4 om de kleur vlam te kiezen of om terug te keren naar de UIT-stand.

Er zijn 3 vlamkleuropties:

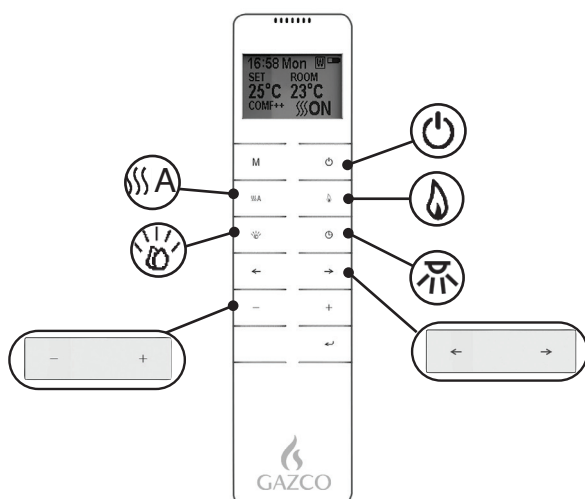
Druk op 5 om de kleur vlam te kiezen of om terug te keren naar de UIT-stand.

Er zijn 14 brandstofbedkleuropties.

Opmerking: Het toestel zal het geheugen voor lichtfuncties verliezen wanneer de schakelaar op de UIT-positie staat of de afstandsbediening leeg is.

AFSTANDSBEDIENINGEN

De afstandsbediening moet worden bewaard op een vlak oppervlak in de kamer waar het toestel is geïnstalleerd en weg van enige directe hete luchtstroom.



- Vermogen

- Verhitting/Geavanceerde

- Vlam

- Brandstofbed

- Kleuropties

- Niveaus

HET APPARAAT GEBRUIKEN - SNELSTART

Druk op Apparaat aan/uit
Het apparaat start in de laatst gekozen stand.

Druk op Verwarmingselement aan/uit.

- Verhoog of verlaag de warmteafgifte.

Druk op Vlameffect aan/uit.

- Wijzig de kleuroptie.
Er zijn 3 vlamkleuropties:

- Verhoog of verlaag de warmteafgifte.

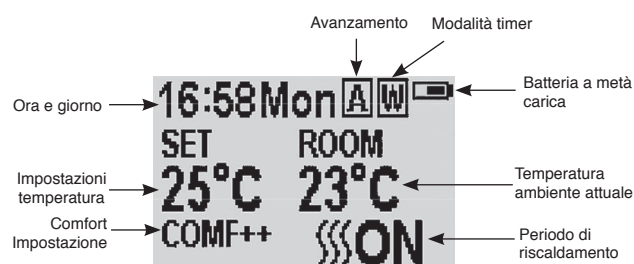
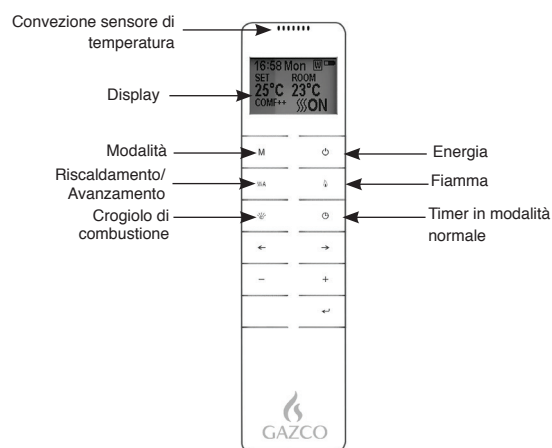
Druk op Brandstofbedeffect aan/uit.

- Wijzig de kleuroptie.
Er zijn 14 opties:

- Verhoog of verlaag de helderheid.

HET APPARAAT GEBRUIKEN - SNELSTART

Il telecomando deve essere lasciato su una superficie piana nella stanza in cui è installato l'apparecchio e lontano da qualsiasi flusso diretto di aria calda.



ACCENSIONE / SPEGNIMENTO

Premere il pulsante per accendere l'effetto fiamma.

Premere il pulsante per disattivare tutte le funzioni nella normale modalità di controllo del riscaldamento, inclusi l'effetto fiamma ed il riscaldatore della ventola.

Premere il pulsante per disattivare l'effetto fiamma in modalità riscaldamento giornaliero e settimanale.

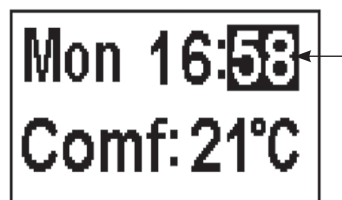
GIORNI DELLA SETTIMANA/ORA/TEMPERATURA COMFORT E IMPOSTAZIONE UNITÀ

Assicurarsi che l'orologio sia impostato all'ora corretta.

Tenere premuto il **M** pulsante per 3 secondi per accedere alla schermata impostazioni.

Premere il pulsante '←' o '→' per scegliere l'impostazione da modificare.

Il carattere selezionato verrà evidenziato.



Premere il pulsante '+' o '-' per regolare il numero.

Schema orario: sistema 24 ore.
Selezionare una temperatura comfort da 15 a 25°C.
Unità temperatura: °C/°F.

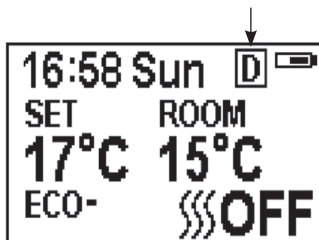
Premere il pulsante per 3 secondi o attendere 10 secondi per salvare e uscire dalla settimana, dall'ora e dall'impostazione della temperatura.

TIMER GIORNALIERO RISCALDAMENTO

Sono stati preimpostati i seguenti periodi di riscaldamento, che possono essere modificati se lo si desidera:

dalle ore 06:00 alle 08:00
dalle ore 17:00 alle 22:00

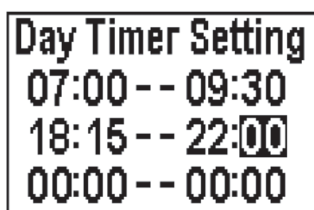
Premere **M** fino a visualizzare l'angolo in alto a destra dello schermo per accedere al timer giornaliero della modalità di riscaldamento.



Tenere premuto il pulsante per 6 secondi per accedere all'impostazione riscaldamento giornaliero. È possibile impostare un massimo di 3 periodi di riscaldamento programmati al giorno.

Premere '<' o '>' per scegliere ore o minuti.

Premere '+' o '-' per regolare il numero.
Ad ogni pressione si ha un incremento/decremento di 15 minuti.



Premere il pulsante per 3 secondi o attendere 10 secondi per salvare e uscire dall'impostazione del periodo di riscaldamento.

Controllare l'impostazione del timer. Premere per controllare la modalità giornaliera del timer.

Se è necessario spegnere il riscaldamento, sarà necessario tornare alla modalità di controllo normale.

Quando si spegne l'apparecchio mentre si trova in modalità timer giornaliero con il telecomando si interrompe l'emissione di luce. L'uscita di calore continuerà secondo le impostazioni del timer.

REGOLAZIONE DELLA TEMPERATURA IMPOSTATA

Premere il pulsante '+' o '-' per aumentare o diminuire la temperatura sulla base della temperatura COMF.

COMF indica che la temperatura effettiva corrisponde a quella dell'impostazione.

ECO significa che la temperatura attuale è inferiore di 2°C rispetto alla temperatura impostata.

ECO- significa 4°C in meno.

COMF+ significa 2°C in più.

COMF++ significa 4°C in più.

CONTROLLO DI AVVIO ADATTIVO

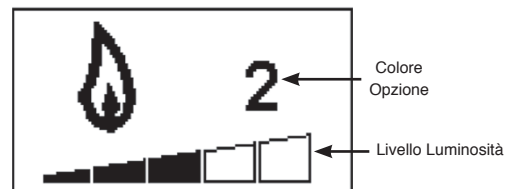
In base alla temperatura ambiente e alla temperatura impostata, il riscaldatore determina automaticamente il tempo di riscaldamento appropriato per garantire che raggiunga la temperatura impostata nel tempo impostato (fino a 45 minuti prima del tempo impostato).

REGOLAZIONE DEL COLORE DELLA FIAMMA

Premere il pulsante per accedere alla schermata di regolazione della fiamma.

Ci sono 3 opzioni di colore della fiamma, indicate dal numero.

Ci sono 6 livelli di luminosità, incluso spento. Questo è indicato dalla barra, con la barra vuota che indica spegnimento.



Premere il pulsante '<' o '>' per scorrere ciclicamente le opzioni del colore della fiamma.

Premere il pulsante '+' per aumentare la luminosità della fiamma.

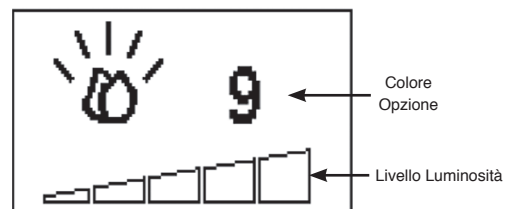
Premere il pulsante '-' per ridurre la luminosità della fiamma.

REGOLAZIONE COLORE DEL CROGIOLO DI COMBUSTIONE

Premere il pulsante per accedere alla schermata di regolazione luce crogiolo di combustione.

Ci sono 14 opzioni di colore crogiolo di combustione, indicate dal numero.

Ci sono 6 livelli di luminosità, incluso spento. Questo è indicato dalla barra, con la barra vuota che indica spegnimento.



Premere il pulsante '←' o '→' per scorrere ciclicamente le opzioni del colore del crogiolo di combustione.

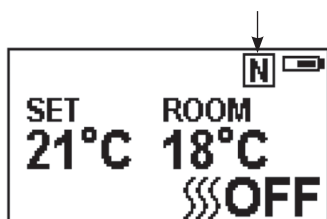
Premere il pulsante '+' per aumentare la luminosità del crogiolo di combustione.

Premere il pulsante '-' per ridurre la luminosità del crogiolo di combustione fino a spegnere.

MODALITÀ DI CONTROLLO NORMALE

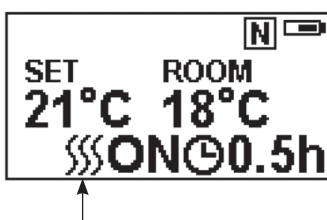
L'impostazione di default è la modalità di controllo normale.

In alternativa premere il pulsante M fino a visualizzare il **N** logo nell'angolo in alto a destra dello schermo.



Premere il pulsante '+' o '-' per regolare la temperatura impostata da 17 °C a 25°C.

Premere il pulsante **ON/OFF** per accendere/spegnere il riscaldamento, nell'angolo in basso a destra comparirà **ON** o **OFF**.



Nota: È normale che il termoventilatore smetta di funzionare per dei periodi di tempo. Ciò accade se la temperatura della stanza è superiore alla temperatura impostata sul controllo.

L'indicatore del riscaldatore si spegne dopo 10 secondi se la fiamma è accesa. L'indicatore del riscaldatore rimarrà acceso se viene utilizzata solo la funzione di riscaldamento.

Se si spegne l'apparecchio con il telecomando mentre si trova in modalità di controllo normale, si interrompe l'emissione di luce e di calore.

CONTO ALLA ROVESCIA

Questa impostazione è solo nella normale modalità di controllo del riscaldamento. Consente all'apparecchio di tornare in standby dopo un determinato periodo di tempo. Il riscaldatore deve essere acceso per utilizzare questa funzione.

Premere **Timer** per scorrere in modo ciclico tra le impostazioni a partire da Off e da 0,5 ore a 9 ore. Il logo del timer e il tempo rimanente verranno visualizzati sullo schermo.

Il riscaldatore dell'apparecchio può essere avviato automaticamente utilizzando il timer giornaliero e il timer settimanale sul telecomando.

TIMER SETTIMANALE RISCALDAMENTO

Sono stati preimpostati i seguenti periodi di riscaldamento, che possono essere modificati se lo si desidera:

Da lunedì a venerdì
dalle ore 06:00 alle 08:30
dalle ore 17:00 alle 22:00

Da sabato a domenica
dalle ore 06:30 alle 09:30
dalle ore 11:00 alle 13:00
dalle ore 17:00 alle 22:00

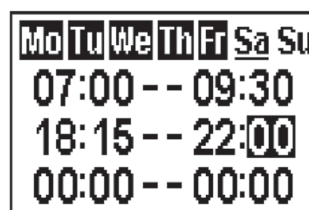
Premere M fino a **W** visualizzare l'angolo in alto a destra dello schermo per accedere al timer settimanale della modalità di riscaldamento.



Tenere premuto il **Left Arrow** pulsante per 6 secondi per accedere all'impostazione timer settimanale riscaldamento.

Premere '←' o '→' per spostare il cursore (una sottolineatura lampeggiante).

Premere il pulsante **Left Arrow** nella posizione della settimana corrispondente per selezionare (il carattere è evidenziato) o annullare (il carattere viene visualizzato normalmente) l'impostazione corrente, contemporaneamente può essere selezionato lo stesso periodo.



Premere il pulsante '→' per spostare il cursore sull'area di impostazione del periodo di tempo.

Premere '←' o '→' per scegliere ore o minuti.

Premere '+' o '-' per regolare il numero.

È possibile impostare un massimo di 3 periodi di riscaldamento programmati al giorno.

Ad ogni pressione si ha un incremento/decremento di 15 minuti.

Premere **Left Arrow** per impostare il periodo di riscaldamento per il giorno selezionato e tornare alla riga della settimana.

Premere il pulsante **Left Arrow** per 3 secondi o attendere 10 secondi per salvare e uscire dall'impostazione del periodo di riscaldamento.

Premere ← '←' o '→' per controllare l'impostazione del timer per la modalità di riscaldamento del timer settimanale.

Se è necessario spegnere il riscaldamento, sarà necessario tornare alla modalità di controllo normale.

Se si spegne l'apparecchio con il telecomando mentre si trova in modalità timer settimanale, si interrompe l'emissione di luce. L'uscita di calore continuerà secondo le impostazioni del timer.

REGOLAZIONE DELLA TEMPERATURA IMPOSTATA

Premere il pulsante '+' o '-' per aumentare o diminuire la temperatura sulla base della temperatura COMF.

COMF indica che la temperatura effettiva corrisponde a quella dell'impostazione.

ECO significa che la temperatura attuale è inferiore di 2°C rispetto alla temperatura impostata.

ECO- significa 4°C in meno.

COMF+ significa 2°C in più.

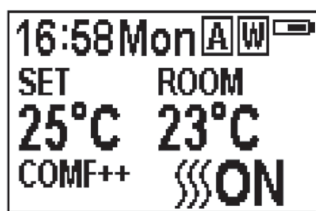
COMF++ significa 4°C in più.

CONTROLLO DI AVVIO ADATTIVO

In base alla temperatura ambiente e alla temperatura impostata, il riscaldatore determina automaticamente il tempo di riscaldamento appropriato per garantire che raggiunga la temperatura impostata nel tempo impostato (fino a 45 minuti prima del tempo impostato).

MODALITÀ AVANZATA

Lo stato di riscaldamento può essere anticipato fino al periodo successivo sia in modalità riscaldamento giornaliero che settimanale.



Se il riscaldatore è acceso nel periodo corrente, premendo il pulsante si spegne il riscaldatore.

Se il riscaldatore è spento nel periodo corrente, premendo il pulsante si accende il riscaldatore.

Che il riscaldamento effettivo sia acceso/spento dipende anche dalla temperatura della stanza e dalla temperatura impostata.

Se si preme **⏏ A** per accedere alla modalità avanzata in modalità di riscaldamento del timer giornaliero e settimanale, apparirà nell'angolo in alto a destra dello schermo **A**.

Premere **⏏ A** di nuovo, altrimenti allo scadere del tempo del timer si uscirà dalla modalità avanzata.

FINESTRA DI RILEVAMENTO APERTA

Quando il trasmettitore rileva un rapido calo della temperatura ambiente, verrà considerata come una finestra aperta: verrà visualizzata l'icona di avviso e il riscaldamento si spegnerà automaticamente.



Dopo l'aumento della temperatura interna o l'intervento manuale (azionando il telecomando), si tornerà al normale stato di funzionamento.

DELL'APPARECCHIO - RISOLUZIONE DEI PROBLEMI

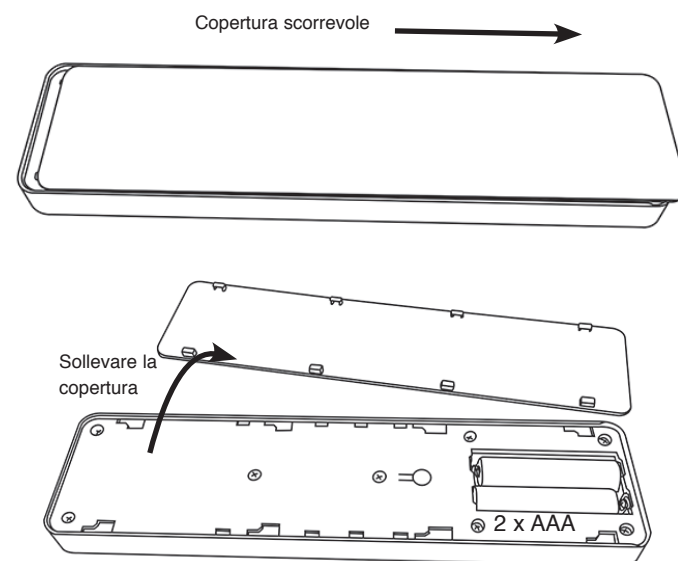
PILA

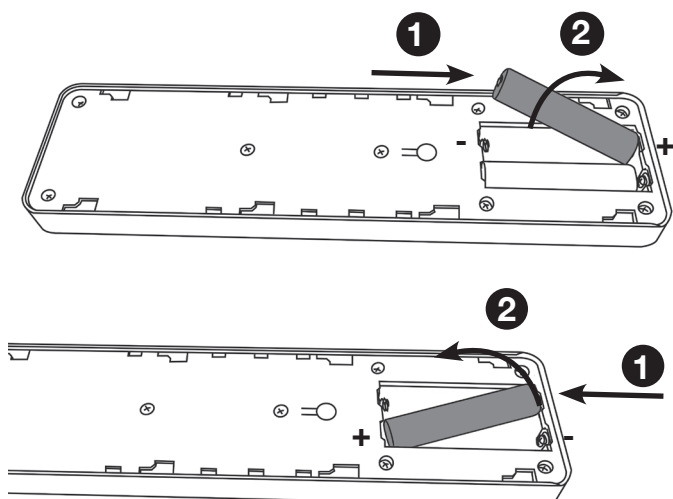
Il livello di carica della batteria è indicato in alto a destra nella schermata del telecomando.

	Batteria carica	Nessuna azione richiesta
	Batteria a metà carica	Assicurarsi che siano disponibili nuove batterie.
	Batteria scarica	Sostituire immediatamente le batterie

SOSTITUZIONE DELLA BATTERIA

Le batterie scariche devono essere rimosse dall'apparecchio e smaltite in modo sicuro.





Assicurarsi che le pile del telecomando siano nuove e correttamente inserite.

Smaltire le pile vecchie presso una struttura di riciclaggio appropriata.

Si consiglia di sostituire le batterie dopo 1 anno. Il telecomando richiede due batterie AAA alcaline da 1,5 V.

Garantire la corretta polarità.
Non cortocircuitare i terminali.

Non tentare di ricaricare batterie non ricaricabili.

Rimuovere le batterie ricaricabili prima di caricarle.

Non mischiare batterie vecchie e nuove.

Rimuovere le batterie se l'apparecchio non viene utilizzato per lunghi periodi.

La modifica delle batterie non influirà sulle impostazioni della modalità del timer, tuttavia potrebbe essere necessario regolare l'orologio.

NOTA: Per utilizzare entrambe le funzioni remota e manuale, l'interruttore di accensione/spegnimento manuale deve essere in posizione "ON". Per evitare che il prodotto diventi troppo caldo, si verifica un ritardo di 10 secondi all'accensione del riscaldatore e un ritardo di 10 secondi quando si spegne la ventola del riscaldatore.

Il pulsante manuale controlla le funzioni di base, non una gamma completa di controlli. Utilizzare il telecomando per eseguire tutte le funzioni.

INDICATORI DI FUNZIONAMENTO DEL RISCALDATORE

Quando il termoventilatore viene utilizzato in combinazione con gli effetti della fiamma o del crogiolo di combustione, gli indicatori di funzionamento del riscaldatore si accendono per 10 secondi.

I LED si accendono per 10 secondi quando l'effetto fiamma o il crogiolo di combustione vengono accesi.

Se il termoventilatore viene utilizzato in modo indipendente, gli indicatori di funzionamento del riscaldatore rimangono accesi.

PULSANTE DI RIPRISTINO PER TELECOMANDO

Se il telecomando perde il segnale o deve essere sostituito, per informazioni più dettagliate, consultare sezione manutenzione.

CODICE DI SEGNALE

Il telecomando funziona tramite segnale radio. Il trasmettitore manuale è configurato in fabbrica con un codice di segnale unico.

IMPORTANTE: Se il telecomando perde il segnale o deve essere sostituito, per informazioni più dettagliate, consultare sezione manutenzione.

MANUTENZIONE



IMPORTANTE: LA PANNELLATURA ESTERNA DI VOGUE È REALIZZATA IN GHISA. PRESTARE ATTENZIONE DURANTE L'INSTALLAZIONE, LA RIMOZIONE E LA CONSERVAZIONE POICHÉ I COMPONENTI SONO PESANTI E DEVONO ESSERE MANEGGIATI CON CURA.

SCOLLEGARE SEMPRE DALLA RETE ELETTRICA PRIMA DI PULIRE O DI ESEGUIRE QUALSIASI TIPO DI MANUTENZIONE.

PULIZIA GENERALE

Pulire solo l'involucro esterno quando l'apparecchio è freddo. Non usare detergenti abrasivi.

PULIZIA DELLE PARTI ANTERIORI

Passare un panno umido sul pannello in vetro e lucidare con un panno senza pelucchi.

Attenzione: non utilizzare detergenti abrasivi sul pannello in vetro. Non spruzzare direttamente liquidi su nessuna superficie dell'unità.

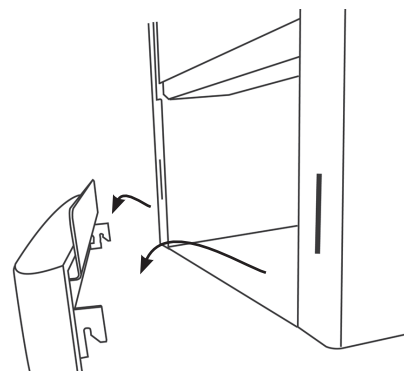
PULIZIA DELL'EFFETTO COMBUSTIBILE

Per accedere all'effetto combustibile sarà necessario rimuovere il pannello in vetro.

Verificare che l'apparecchio sia scollegato.

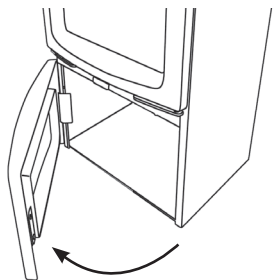
VOGUE MIDI MODELLI

Rimuovere la base sollevando i ganci dalle fessure sulla parte anteriore dell'apparecchio.



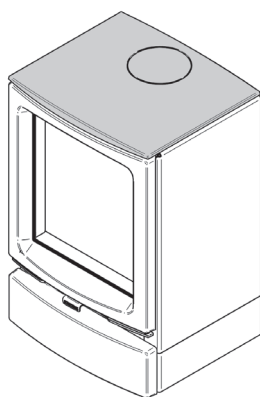
VOGUE MIDI MIDLINE MODELLI

Aprire lo sportello inferiore da destra.



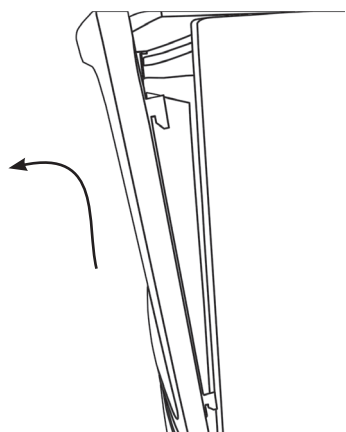
TUTTI I MODELLI

Rimuovere la parte superiore in ghisa e metterla da parte.

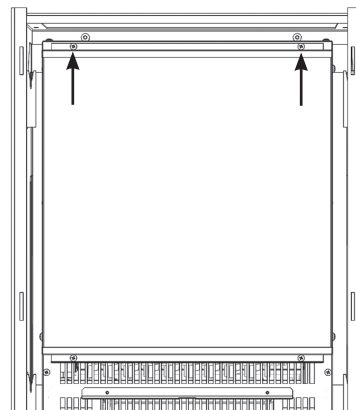


Vogue Midi mostrato

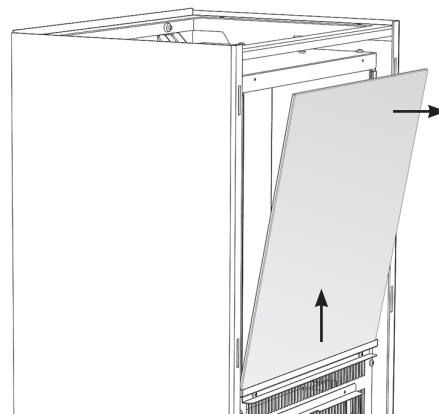
Rimuovere il telaio in ghisa per accedere all'apertura di visione sollevando i ganci dalle fessure sulla parte anteriore dell'apparecchio.



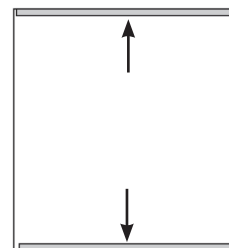
Rimuovere le 2 viti superiori e la staffa di fissaggio del vetro anteriore all'apparecchio.
Reggere il vetro durante la rimozione delle viti.



Inclinare delicatamente il vetro in avanti e sollevarlo dalla staffa inferiore per rimuoverlo. Metterlo da parte facendo attenzione.



Nota: durante la reinstallazione del vetro, verificare che le relative guarnizioni superiori e inferiori siano in posizione sullo stesso. La guarnizione inferiore potrebbe restare nella staffa inferiore: in questi casi, estrarre con cautela la guarnizione e riposizionarla al centro sulla parte inferiore del vetro prima della reinstallazione.



L'effetto combustibile è ora accessibile.

Rimuovere e lavare l'effetto combustibile per eliminare eventuali particelle di polvere. In alternativa pulire con un panno privo di lanugine.
Verificare che l'effetto sia asciutto prima della sostituzione.

Sostituire l'effetto combustibile, vedere Istruzioni per l'installazione Sezione 4 per la disposizione.

Sostituire seguendo l'ordine inverso.

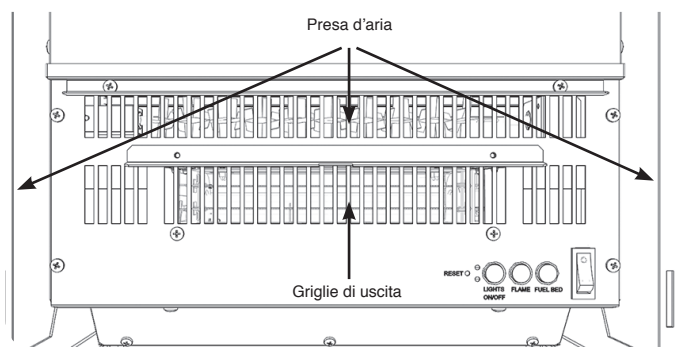
PULIZIA DELLE PRESE D'ARIA

Assicurarsi che l'apparecchio sia scollegato.

Rimuovere la base (modelli Midi/ Midi T) o aprire lo sportello (modelli Midi Midline/ Highline), rimuovere la parte superiore e il telaio in ghisa.

Pulire regolarmente la presa d'aria e le griglie di uscita con un panno morbido o con il becco dell'aspirapolvere.

Nota: pulire con regolarità le prese d'aria presenti fra le scatole esterne e interne.



Gli accumuli di polvere possono impedire il corretto funzionamento della ventola e causare l'attivazione dell'interruttore di sicurezza.

Tenere l'area intorno all'apparecchio pulita e libera da lanugine, polvere o peli di animali.

In particolare, è possibile che si formino degli accumuli di polvere, ecc. attorno all'area del riscaldatore in cima all'elettrodomestico. Prestare particolare attenzione a mantenere quest'area regolarmente libera da tali particelle per impedire gli accumuli.

INSTALLAZIONE

GENERALI

STRUMENTI NECESSARI

Non occorre alcun attrezzo per installare questo apparecchio.

DISIMBALLAGGIO DEL CAMINETTO

ATTENZIONE! NON usare questo apparecchio se una parte qualsiasi è stata esposta all'acqua.

Chiamare immediatamente un tecnico dell'assistenza qualificato per l'ispezione e la riparazione di qualsiasi parte dell'impianto elettrico, se necessario.

Aprire attentamente la confezione e rimuovere il polistirolo. Rimuovere e gettare la busta di plastica. Tenere l'involucro di plastica fuori dalla portata dei bambini. Prestare attenzione durante la manipolazione dei materiali di imballaggio.

Controllare che tutte le parti e gli accessori siano stati rimossi prima di gettare gli imballaggi. Se necessario, conservare la confezione originale per il trasporto e/o lo stoccaggio futuri.



Questa apparecchiatura è molto pesante e non richiede alcun ancoraggio al camino o al pavimento. Tuttavia, in alcuni casi, l'apparecchiatura può risultare instabile, ad esempio quando ci si appoggia su di essa. In questa eventualità, fissare la stufa al camino o al pavimento con fissaggi sufficientemente forti.

COLLOCAMENTO DELL'APPARECCHIATURA

Il nuovo l'apparecchio può essere installato praticamente in qualsiasi punto della casa. Tuttavia, nella scelta della posizione, seguire le istruzioni generali.

Per i migliori risultati, installarlo lontano dalla luce solare diretta.

Se il cavo di alimentazione è danneggiato, contattare il proprio rivenditore Gazco per la sostituzione. Utilizzare solo ricambi originali Gazco sull'apparecchio.

L'apparecchio deve essere posizionato vicino a una presa elettrica adatta per consentire il collegamento.

La presa elettrica deve essere facilmente accessibile per consentire lo scollegamento una volta montato l'apparecchio.

Posizionare l'apparecchio su una superficie stabile, pulita e orizzontale. Non posizionare il crogiolo su un tappeto. Assicurarsi che mobili, tende e così via si trovino a non meno di 1 metro e che il crogiolo si trovi su una superficie in grado di resistere a temperature di 90 °C per periodi prolungati. Posizionare eventuali tappeti ad almeno 500 mm dalla parte anteriore della stufa.

Verificare che non siano presenti tende e mobili nelle vicinanze della posizione scelta, poiché ciò potrebbe causare rischi potenziali d'incendio o bloccare i condotti di uscita del riscaldatore.

ATTENZIONE! TENERE QUALSIASI MATERIALE COMBUSTIBILE AD ALMENO 1 M DI DISTANZA DALLA PARTE ANTERIORE E DAI LATI DEL CAMINETTO ELETTRICO.

APERTURE DI TUTTI I FOCOLARI INGLENOOK:

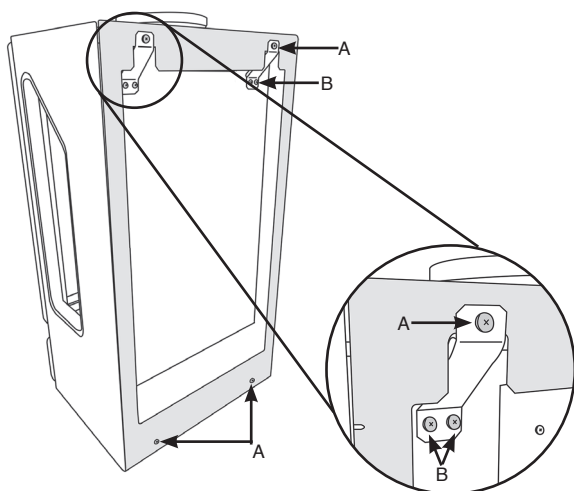
Per tutti i modelli, le dimensioni richieste per un'installazione inglenook possono essere calcolate aggiungendo 225 mm all'altezza dell'apparecchio e 150 mm su ciascun lato. È necessario aggiungere altri 50 mm alla profondità per ottenere uno spazio adeguato dietro l'apparecchio.

FISSAGGIO DELL'APPARECCHIO A PARETE - SOLO VOGUE MIDI T 3 SIDED

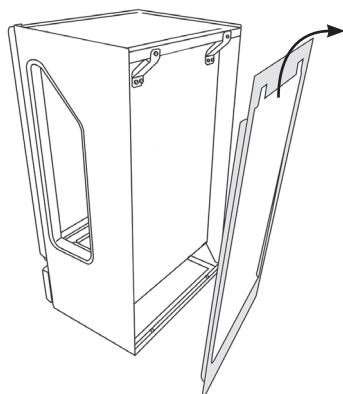
Per installare il Vogue a parete sarà necessario rimuovere il pannello vanity posteriore.

Rimuovere le 4 viti, vedere il diagramma, freccia A.

Allentare le 4 viti, vedere il diagramma, freccia B.



Sollevare il pannello Vanity al di sopra delle staffe, vedere il diagramma.



Stringere le 4 viti allentate (freccia B) e sostituire le 2 viti superiori (freccia A).



ATTENZIONE: Questo apparecchio è pesante. Il produttore ha progettato questo apparecchio per consentirne il fissaggio a una parete in muratura e tutti i dispositivi di fissaggio in dotazione rispecchiano questa configurazione. In caso di collocazione su una parete imperniata, i punti di fissaggio devono essere predisposti nel legno e non attraverso il cartongesso. Utilizzare dispositivi di fissaggio adeguati. **NON fissare esclusivamente a una parete in cartongesso.**



I dispositivi di fissaggio forniti per il kit di fissaggio a parete sono tasselli R-RBL e devono essere installati seguendo il metodo descritto di seguito.



Verificare la presenza di uno spessore di supporto minimo di 100mm.

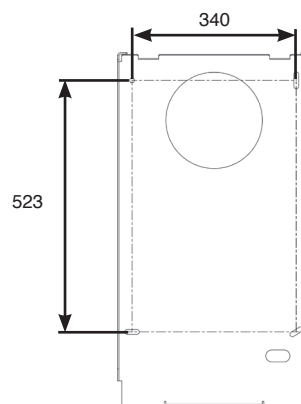
1. Eseguire un foro - Larghezza: 14mm x profondità: 65mm.

Nota: Quando si esegue il fissaggio su muratura in mattoni, si devono evitare i giunti di malta. Rimuovere i detriti e ripulire accuratamente il foro con spazzola e pompa.

2. Rimuovere il bullone e la rondella preassemblati. Inserire la protezione nel foro e colpire con il martello fino a quando non è a raso con la superficie.

3. Inserire il bullone con la rondella attraverso il dispositivo nella protezione. Serrare con una coppia di 15Nm.

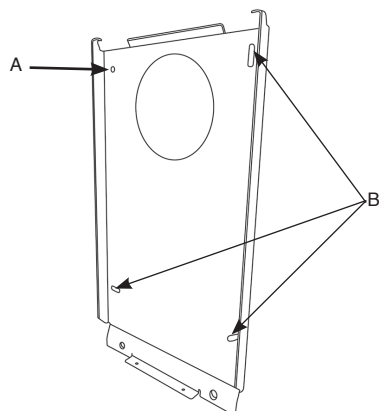
Se si esegue l'installazione su una parete imperniata, è fondamentale che le assicelle di legno siano posizionate nell'area di fissaggio per la staffa di fissaggio a parete.



Posizionare la staffa di fissaggio a parete nella posizione richiesta.

Contrassegnare e perforare il foro di fissaggio in alto a sinistra.

Fissare con una vite, vedere diagramma, freccia A.
Non serrare in questa fase.



Livellare la staffa di fissaggio a parete e contrassegnare i 3 fori rimanenti, vedere diagramma, freccia B.

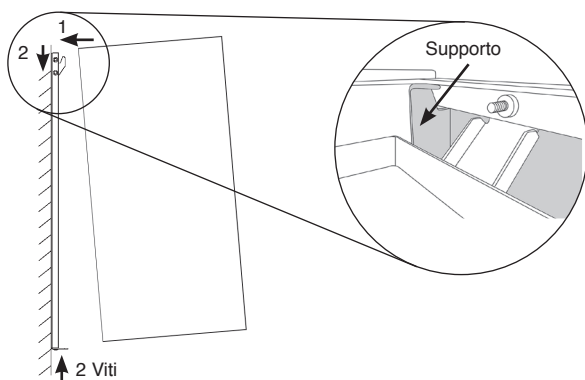
Rimuovere la staffa di fissaggio a parete e praticare i fori di fissaggio.

Sostituire la staffa di fissaggio a parete e fissare con le viti. Non serrare in questa fase.

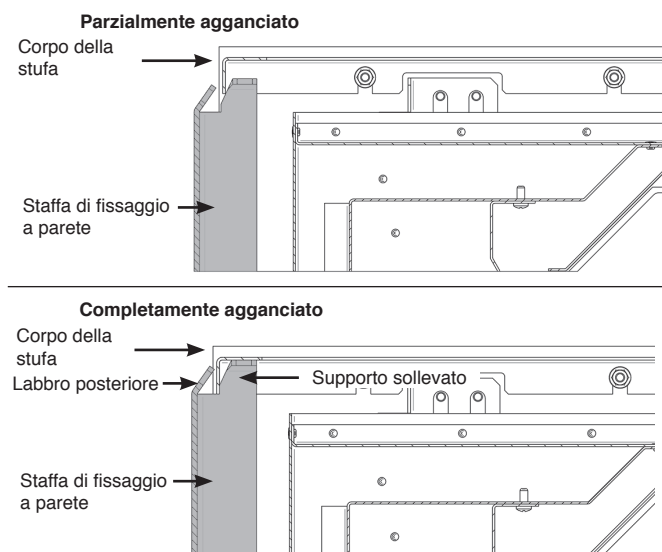
Livellare la staffa di fissaggio a parete, regolando se necessario. Serrare le 4 viti.

ATTENZIONE: Questo apparecchio è pesante e deve essere maneggiato con cura. Per sollevare questo apparecchio sono necessarie due persone.

Agganciare la parte superiore della staffa sotto la parte superiore della carcassa ad angolo e far scendere delicatamente in posizione. Controllare che la staffa sia completamente innestata.



NOTA: Il bordo posteriore della parte superiore dell'apparecchio deve trovarsi tra il labbro posteriore della staffa di fissaggio a parete e i supporti sollevati.



Fissare attraverso la base della staffa dalla parte sottostante con le 2 viti in dotazione.

REQUISITI DI RIPARAZIONE



DURANTE LA RIPARAZIONE DI QUESTO APPARECCHIO POTREBBE ESSERE NECESSARIO TAGLIARE LE FASCETTE DEI CAVI PER RAGGIUNGERE E TOGLIERE ALCUNE PARTI. QUESTE DEVONO ESSERE RIMESSE AL LORO POSTO QUANDO DI RIMONTA L'APPARECCHIO.

QUESTO APPARECCHIO DEVE ESSERE RIPARATO SOLO DA PERSONALE QUALIFICATO.

PRIMA DI MANEGGIARE L'APPARECCHIO: SPEGNERE L'APPARECCHIO, ISOLARE L'ALIMENTAZIONE E ASSICURARSI CHE L'APPARECCHIO NON SIA ALIMENTATO DALLA CORRENTE.

Attendere almeno 10 minuti, in modo da far raffreddare l'unità.

Sostituzione delle pile del telecomando

Sostituire con 2 x pila AAA. Assicurarsi che la pila sia correttamente installata nel telecomando.



**NOTA: il telecomando è dotato di indicatore di stato della batteria (angolo in alto a destra), dopo un periodo di inattività, lo schermo LED smetterà di funzionare anche se il telecomando resterà in grado di inviare comandi
Sostituire le batterie per ripristinare il display.**

Manutenzione dei motori

I motori utilizzati nella ventola e nell'effetto fiamma sono già lubrificati per aumentare la durata dei cuscinetti e non richiedono ulteriore lubrificazione. Tuttavia, si consiglia una pulizia/aspirazione periodica della ventola/riscaldatore.

Reimpostazione dell'interruttore termico di sicurezza

L'apparecchio è dotato di un controllo elettronico di sicurezza (E.S.), un dispositivo di sicurezza che spegne il caminetto se si surriscalda per qualsiasi motivo, ad esempio se viene coperto.

Se il riscaldatore smette di funzionare e l'effetto fiamma continua a funzionare, significa che il controllo E.S. si è attivato.

Il controllo E.S. può essere reimpostato solo dopo che l'apparecchio si è raffreddato.

Per reimpostare il controllo E.S.:

Spegnere l'apparecchio (interruttore manuale On/Off) e lasciarlo raffreddare per circa 120 minuti.

Rimuovere eventuali ostruzioni dall'uscita del riscaldatore a ventola o da altre parti interne.

Accendere l'apparecchio e il controllo E.S. si reimposterà.

Assicurarsi che l'apparecchio funzioni correttamente. Se il controllo E.S. si riattiva, far controllare l'apparecchio da un elettricista qualificato.

IMPORTANTE

EL EXTERIOR, FRONTAL Y PANEL DE CRISTAL DEL APARATO ESTÁ EXTREMADAMENTE CALIENTE DURANTE SU FUNCIONAMIENTO Y PUEDE PROVOCAR HERIDAS GRAVES Y QUEMADURAS SI SE ENTRA EN CONTACTO. SE RECOMIENDA POR LO TANTO QUE SE UTILICE UN PROTECTOR QUE CUMPLA CON LA NORMA BS 8423:2002 CUANDO HAYA NIÑOS, ANCIANOS O ENFERMOS PRESENTES.

Para uso con 230V 50 Hz únicamente.

Leer las presentes instrucciones antes de la instalación y guardarlas cuidadosamente en lugar seguro. Serán necesarias en el momento de hacer el mantenimiento.

Este aparato requiere toma a tierra.

Este producto está indicado únicamente en lugares abrigados o para una utilización puntual.

INFORMACIÓN IMPORTANTE Y SALUD Y SEGURIDAD

Antes de utilizar el aparato lea atentamente todas las instrucciones.

Proceda a reciclar todo el embalaje.

No coloque este aparato inmediatamente por debajo de una toma de corriente fija.

No utilizar el aparato en las inmediaciones de un cuarto de baño, ducha o piscina o en zonas en las que el aparato puede estar en contacto con agua o humedad.



¡ADVERTENCIA! NO LO CUBRA

No cubrir ni tapar el aparato, deje circular el aire en su entorno. Observe el símbolo de advertencia sobre el aparato (véalo arriba).

Este aparato está destinado para uso en el interior y no es adecuado para ser utilizado en el exterior.

Mantenga el enchufe alejado de superficies calientes. No conecte el cable de señal en frente del aparato.

El dispositivo debe situarse en una superficie firme, plana y limpia. No sitúe la unidad sobre una alfombra. Asegúrese de que los muebles y las cortinas (y demás elementos) se sitúan a una distancia no inferior a 1 metro de la unidad, y de que esta se coloca en una superficie que puede ser expuesta a temperaturas de hasta 90 °C durante intervalos prolongados de tiempo. No coloque alfombras a distancias inferiores a 500 mm de la parte frontal del dispositivo.

Una vez instalado el aparato, el enchufe debe quedar accesible.

Si el cable ha de pasar por chimeneas, estar empotrado, etc. Debe asegurarse que éste esté debidamente protegido.

Si el cable eléctrico está dañado no utilice el aparato hasta su reemplazo. Por razones de seguridad el reemplazo ha de ser realizado por Gazco o el servicio técnico de Gazco o un electricista cualificado.

PRECAUCIÓN: Con el fin de evitar un riesgo debido a un reajuste inadvertido del interruptor térmico, este aparato no se debe suministrar a través de un dispositivo de conmutación externo, como un temporizador, o conectado a un circuito que el servicio público encienda y apague regularmente.

No utilizar el aparato en el supuesto de estar averiado o dañado.

Las posibles reparaciones deben ser efectuadas siempre por persona debidamente autorizada y cualificada. Si el aparato no funciona, o en caso de cualquier daño, por favor póngase en contacto con el distribuidor donde adquirió el producto.

Este aparato puede ser utilizado por niños mayores de 8 años y personas con capacidades físicas, sensoriales o mentales reducidas o que carezcan de experiencia y conocimientos, siempre que estén vigilados o que se les haya indicado cómo utilizar el aparato de forma segura y que entiendan los riesgos asociados. Los niños no deben jugar con el aparato. Los niños no deben realizar la limpieza y el mantenimiento del usuario sin supervisión.

Los niños menores de 3 años deben mantenerse alejados a menos que sean supervisados continuamente.

Los niños de 3 a 8 años solo deben encender/apagar el aparato siempre que esté colocado o instalado en la posición de funcionamiento normal y que estén vigilados o que se les haya indicado cómo utilizar el aparato de forma segura y que entiendan los riesgos asociados. Los niños de 3 a 8 años no deben enchufar, regular y limpiar el aparato ni realizar las tareas de mantenimiento.

Precaución: Algunas partes de este producto pueden calentarse mucho y causar quemaduras. Se debe prestar especial atención cuando hay niños y personas vulnerables.

Sin embargo, Gazco recomienda:

Este aparato no está destinado a ser utilizado por personas menores de 12 años, personas con discapacidad física, sensorial o mental o personas sin ninguna experiencia o conocimiento sobre cómo utilizar el aparato de forma segura.

El aparato puede ser utilizado por personas mayores de 12 años siempre que hayan recibido instrucciones acerca de un uso seguro del aparato y que entiendan los peligros que puede conllevar. Las personas mayores de 12 años también pueden utilizar el aparato bajo la supervisión de un adulto responsable.

Este aparato contiene piezas que pueden calentarse durante el uso, por lo que bajo ninguna circunstancia debe permitirse que personas menores de 12 años se queden solas con el producto mientras esté en funcionamiento, a menos que se utilice una pantalla de protección adecuada para protegerles ante cualquier posibilidad de entrar en contacto directo con el aparato.

Los niños no deben jugar con el aparato.

Los niños no deben realizar la limpieza y el mantenimiento del usuario sin supervisión.

INSTRUCCIONES DE FUNCIONAMIENTO

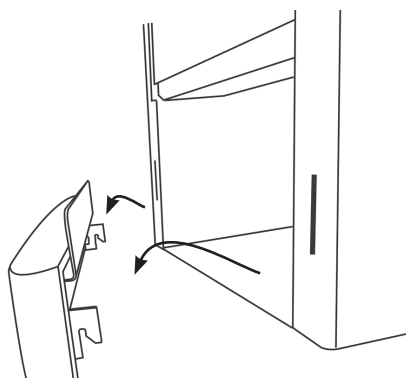


ADVERTENCIA No use la unidad si ha sufrido daños o problemas de funcionamiento. Si cree que la unidad se ha dañado o que no funciona correctamente, póngase en contacto con un técnico de servicio para que la examine y sustituya los componentes del sistema eléctrico que deban reemplazarse antes de volver a usarla.

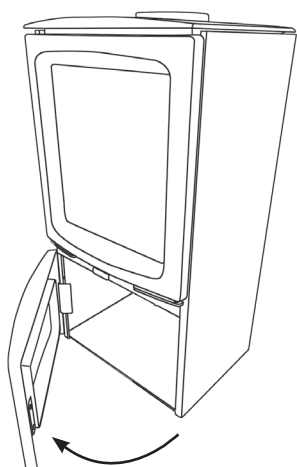
No desconecte el suministro eléctrico desde la toma de corriente mientras la unidad esté funcionando. Use las funciones en el control remoto para apagar el dispositivo y asegúrese de que el interruptor de alimentación se ha colocado en la posición de apagado antes de realizar la desconexión.

UBICACIÓN DEL INTERRUPTOR DE ALIMENTACIÓN

MODELOS VOGUE MIDI/ MIDI T



MODELOS VOGUE MIDI MIDLINE/ HIGHLINE

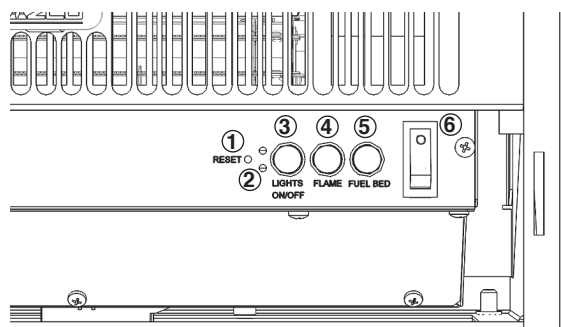


PANEL DE CONTROL MANUAL



NOTA: Para usar la unidad de forma manual o con el control remoto, el interruptor de encendido/apagado manual debe estar en la posición de encendido. Para evitar el sobrecalentamiento del producto se aplica un retraso de 10 segundos al encender el calentador y un retraso de 10 segundos al apagar el ventilador calefactor.

El botón de control manual no permite gestionar todas las opciones, sino que solo facilita el uso de las funciones básicas del dispositivo. Use el control remoto para disfrutar de todas las funcionalidades.



1. Botón de reinicio del control remoto
2. Indicadores de funcionamiento del calefactor
3. Activación y desactivación de la iluminación
4. Botón de configuración de las llamas
5. Botón de configuración de la base de combustible
6. Apagado y encendido (interruptor principal)

USO DE LA UNIDAD

Pulse 6 para apagar o encender la unidad.



NOTA: Para usar la unidad de forma manual o con el control remoto, el interruptor de encendido/apagado manual debe estar en la posición de encendido. Para evitar el sobrecalentamiento del producto se aplica un retraso de 10 segundos al encender y al apagar el ventilador calefactor.

El botón de control manual gestiona las funciones básicas. Use el control remoto para disfrutar de todas las funcionalidades.

Pulse 3 para activar o desactivar las llamas y la base de combustible simultáneamente.

Pulse 4 para seleccionar el color de las llamas o vuelva a la opción de apagado.

Hay 3 opciones de color de las llamas.

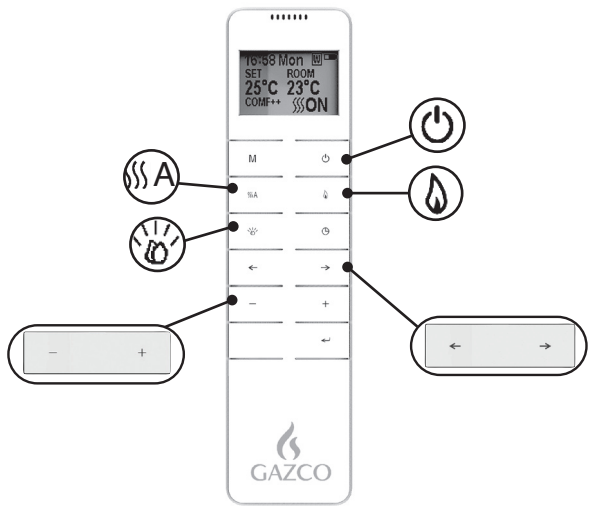
Pulse 5 para seleccionar el color de la base de combustible o vuelva a la opción de apagado.

Hay 14 opciones de color de la base de combustible.

Nota: La unidad olvidará la configuración de las opciones de iluminación cuando el interruptor se sitúe en la posición de apagado (Off) o cuando se agote la carga del control remoto.

CONTROL REMOTO

El control remoto debería situarse en una superficie plana de la habitación en la que se instale la unidad, lejos de flujos directos de aire caliente.



- Apagado/encendido
- Calefactor
- Llamas
- Base de combustible

- Opción de color
- Niveles

USO DE LA UNIDAD - INICIO RÁPIDO

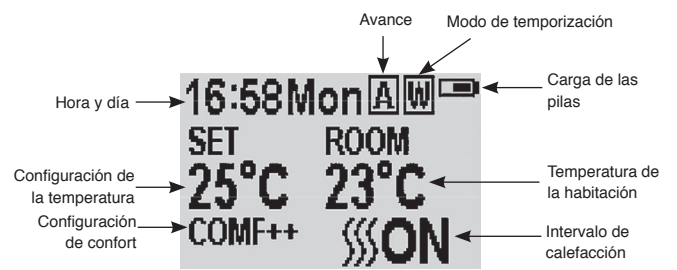
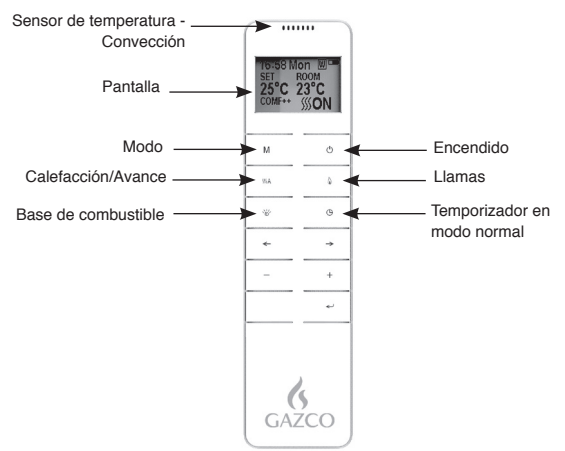
Apagar o encender la unidad
El dispositivo se iniciará con la última configuración en la memoria.

Apagar o encender el calefactor.
 - Aumentar o disminuir el calor producido.

Activar o desactivar el efecto de flameado.
 - Cambiar la opción de color.
Hay 3 opciones de color de las llamas:
 - Aumentar o disminuir el nivel de brillo.

Activar o desactivar los efectos de la base de combustible.
 - Cambiar la opción de color.
Hay 14 opciones de color de la base de combustible:
 - Aumentar o disminuir el nivel de brillo.

FUNCIONAMIENTO DEL APARATO - OPERACIÓN AVANZADA



APAGADO/ENCENDIDO

Pulse el botón para activar el efecto de flameado.

Pulse el botón para desactivar todas las funciones en el modo normal de control de la calefacción.

Pulse el botón para desactivar el efecto de flameado en el modo de calefacción con el temporizador semanal y con el temporizador diario.

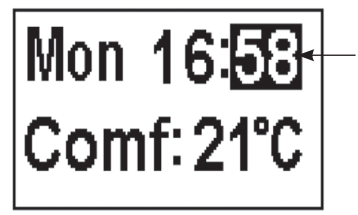
CONFIGURACIÓN DE UNIDADES, TEMPERATURA DE CONFORT, HORA Y DÍAS DE LA SEMANA

Asegúrese de configurar el reloj con la hora correcta.

Pulse **M** durante 3 segundos.

Pulse el botón para seleccionar la opción correspondiente.

El carácter seleccionado se destacará.



Pulse el botón + o - para ajustar el número.

Hora: Sistema de 24 horas.

Seleccione la temperatura de confort entre 15 y 25 °C.

Unidades de temperatura: °C / °F.

Pulse el botón durante 3 segundos o espere 10 segundos para salir después de guardar las opciones de temperatura de la calefacción, de día y de hora.

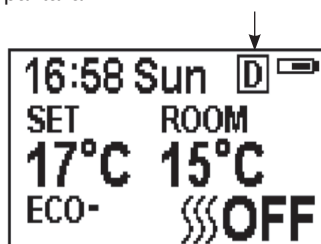
CALEFACCIÓN CON TEMPORIZADOR DIARIO

Los periodos de calefacción siguientes han sido predefinidos, pero se pueden alterar como sea necesario:

De las 06:00 a las 08:00

De las 17:00 a las 22:00

Pulse **M** hasta que se muestre **D** en la esquina superior derecha de la pantalla.

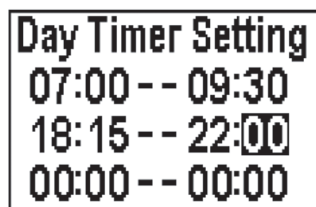


Mantenga el botón pulsado durante 6 segundos. Se pueden configurar tres períodos de calefacción al día.

Pulse \leftarrow o \rightarrow para seleccionar las horas o los minutos.

Pulse $+$ o $-$ para ajustar el número.

Cada pulsación aumenta o disminuye en 15 minutos la opción correspondiente.



Mantenga pulsado el botón durante 3 segundos o espere 10 segundos para salir y guardar la configuración de los intervalos temporales de calefacción.

Pulse para revisar el modo de temporizador diario.

Para apagar la calefacción, vuelva al modo de control normal.

Durante el funcionamiento en modo de temporizador diario, si se apaga la unidad con el control remoto se apagarán las luces. La emisión de calor seguirá según lo estipulado en la configuración del temporizador.

AJUSTE DE LA TEMPERATURA CONFIGURADA

Pulse el botón $+$ o $-$ para aumentar o reducir la temperatura en función de la temperatura de confort (COMF).

COMF implica que la temperatura real es la misma que la configurada.

ECO indica que la temperatura real es 2 °C inferior a la configurada.

ECO- indica que la temperatura es 4 °C inferior.

COMF+ indica que la temperatura es 2 °C superior.

COMF++ indica que la temperatura es 4 °C superior.

CONTROL DE INICIO ADAPTABLE

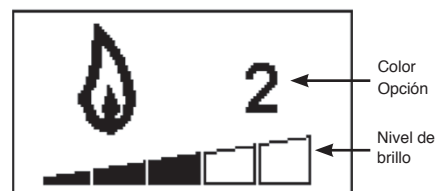
El calefactor determinará de forma automática el momento adecuado para empezar a operar para alcanzar la temperatura definida en el momento correspondiente (hasta 45 minutos antes de este).

AJUSTE DEL COLOR DE LAS LLAMAS

Pulse el botón .

Hay tres opciones de color de las llamas.

Hay 6 niveles de brillo, incluida la opción sin brillo (apagado).



Pulse el botón \leftarrow o \rightarrow para visualizar las distintas opciones de color de las llamas.

Pulse el botón $+$ para aumentar el brillo de las llamas.

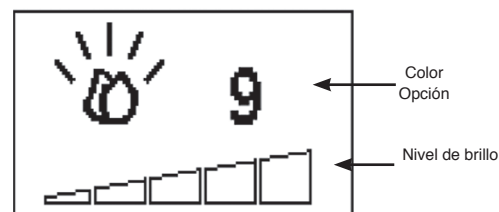
Pulse el botón $-$ para reducir el brillo de las llamas hasta desactivarlo por completo.

AJUSTE DEL COLOR DE LA BASE DE COMBUSTIBLE

Pulse para abrir la pantalla de ajuste de la iluminación de la base de combustible.

Hay 14 opciones de color de la base de combustible.

Hay 6 niveles de brillo, incluida la opción sin brillo (apagado).



Pulse el botón \leftarrow o \rightarrow para visualizar las distintas opciones de color de la base de combustible.

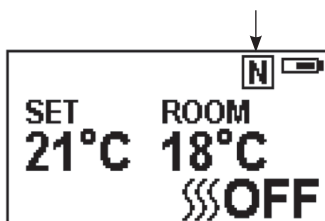
Pulse el botón $+$ para aumentar el brillo de la base de combustible.

Pulse el botón $-$ para reducir el brillo de la base de combustible hasta desactivarlo por completo.

MODO DE CONTROL NORMAL

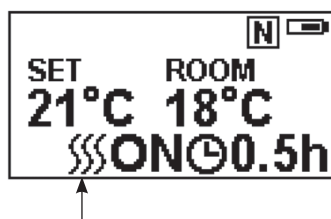
El modo de control normal es la opción prefijada.

Pulse el botón **M** hasta que se muestre el logotipo **N**.



Pulse el botón + o - para ajustar la opción de temperatura de 17 °C a 25 °C.

Pulse el botón **[[[A** para activar o desactivar la emisión de calor.



Nota: Es normal que el ventilador calefactor deje de funcionar durante determinados intervalos. Esto se produce si la temperatura de la habitación es superior a la especificada en el control remoto.

El indicador del calefactor se apagará después de 10 segundos si la llama se activa. El indicador del calefactor se activará solo si la función de calefacción se utiliza.

Durante el funcionamiento en modo de control normal, si se apaga la unidad con el control remoto se apagará la iluminación del dispositivo y la emisión de calor.

TEMPORIZADOR DE CUENTA ATRÁS

Esta opción solo está disponible en el modo de control de calefacción normal. Permite a la unidad volver al modo de espera después de un determinado intervalo de tiempo. El calefactor debe estar activado para usar esta función.

Pulse **⌚** para visualizar los valores de esta configuración (apagado y de 0.5 a 9 horas). El logotipo del temporizador y el tiempo restante se mostrarán en la pantalla.

El calefactor de la unidad se puede usar de forma automática a través del temporizador semanal y el temporizador diario.

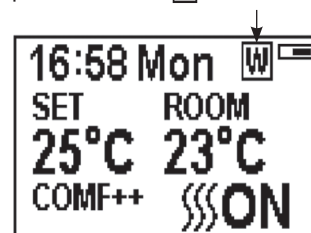
CALEFACCIÓN CON TEMPORIZADOR SEMANAL

Los periodos de calefacción siguientes han sido predefinidos, pero se pueden alterar como sea necesario:

De lunes a viernes
De las 06:00 a las 8:30
De las 17:00 a las 22:00

De sábado a domingo
De las 6:30 a las 9:30
De las 11:00 a las 13:00
De las 17:00 a las 22:00

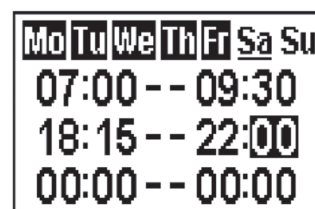
Pulse **M** hasta que se muestre **W**.



Mantenga el botón **←** pulsado durante 6 segundos.

Pulse **←** o **→** para mover el cursor (subrayado parpadeante).

Pulse el botón **←** en la posición de la semana correspondiente para seleccionar (el carácter se destaca) o cancelar (el carácter se visualiza de la forma habitual) la opción actual. Se pueden seleccionar colectivamente los mismos intervalos de tiempo.



Pulse el botón **→** para desplazar el cursor hasta el área de configuración de intervalos.

Pulse el botón **←** o **→** para seleccionar las horas o los minutos.

Pulse + o - para ajustar el número.

Se pueden configurar un máximo de tres períodos de calefacción al día.

Cada pulsación aumenta o disminuye en 15 minutos la opción correspondiente.

Pulse **←** para configurar el intervalo de calefacción del día seleccionado y vuelva a la línea de la semana.

Mantenga pulsado el botón **←** durante 3 segundos o espere 10 segundos para salir y guardar la configuración de los intervalos temporales de calefacción.

Pulse **←** **←** o **→** para comprobar la opción de programación del modo de calefacción con temporizador semanal.

Para apagar la calefacción, vuelva al modo de control normal.

Durante el funcionamiento en modo de temporizador semanal, si se apaga la unidad con el control remoto se apagará la iluminación. La emisión de calor seguirá según lo estipulado en la configuración del temporizador.

AJUSTE DE LA TEMPERATURA CONFIGURADA

Pulse el botón + o - para aumentar o reducir la temperatura en función de la temperatura de confort (COMF).

COMF implica que la temperatura real es la misma que la configurada.

ECO indica que la temperatura real es 2 °C inferior a la configurada.

ECO- indica que la temperatura es 4 °C inferior.

COMF+ indica que la temperatura es 2 °C superior.

COMF++ indica que la temperatura es 4 °C superior.

CONTROL DE INICIO ADAPTABLE

El calefactor determinará de forma automática el momento adecuado para empezar a operar para alcanzar la temperatura definida en el momento correspondiente (hasta 45 minutos antes de este).

MODO DE AVANCE

El estado de la calefacción puede pasar al intervalo siguiente en los modos de calefacción con el temporizador semanal y el temporizador diario.

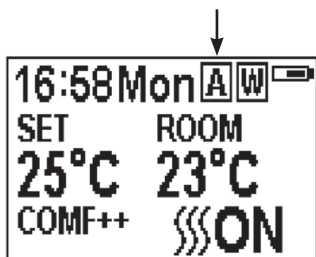


Si el calefactor está activado durante el intervalo actual, la pulsación del botón lo desactivará.

Si el calefactor está desactivado durante el intervalo actual, la pulsación del botón lo activará.

La emisión de calor depende de la temperatura de la sala y de la temperatura configurada.

Pulse **[[[A** para pasar al modo de avance en el modo de calefacción con el temporizador semanal y el temporizador diario.



Pulse **[[[A** de nuevo o espere a que el temporizador finalice para salir del modo de avance.

DETECCIÓN DE APERTURA DE VENTANAS

Si el transmisor detecta una caída acentuada de la temperatura de la sala, interpretará que se ha abierto una ventana. El icono de advertencia se mostrará y la calefacción se apagará automáticamente.



El estado de funcionamiento habitual se reanudará al detectarse el aumento de la temperatura de la sala o la intervención del usuario a través del control remoto.

USO DE LA UNIDAD - SOLUCIÓN DE PROBLEMAS

PILAS

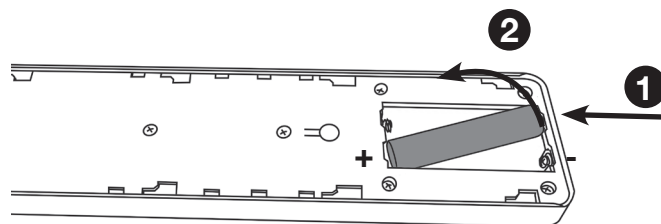
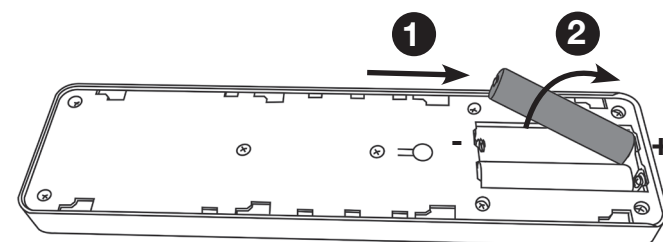
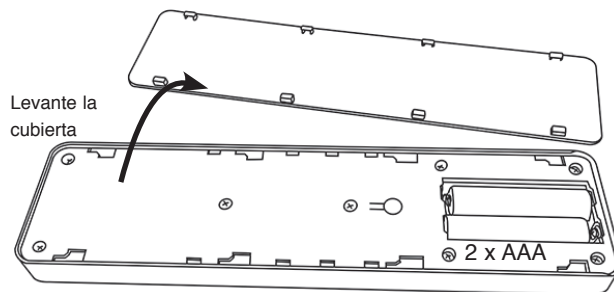
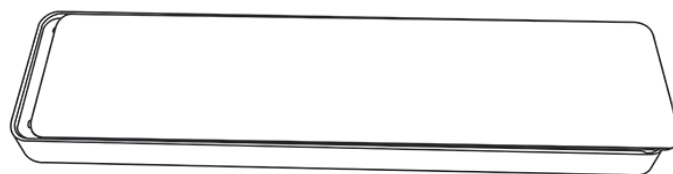
El nivel de carga de las pilas se indica en la parte superior derecha de la pantalla del control remoto.

	Pilas: carga completa	No es preciso realizar ninguna acción
	Pilas: media carga	Asegúrese de disponer de pilas nuevas.
	Pilas: sin carga	Sustituya las pilas de inmediato

SUSTITUCIÓN DE LAS PILAS

Las pilas gastadas deben quitarse de la unidad y ser eliminadas de forma segura.

Deslice la cubierta →



Asegúrese de que las pilas son nuevas y de que se colocan correctamente.

Elimine las pilas gastadas a través de una instalación de reciclaje adecuada.

Se recomienda cambiar las pilas después de 1 año.
El control remoto requiere dos pilas alcalinas AAA de 1.5 V.

Asegúrese de colocarlas con la polaridad correcta.
No cortocircuite las terminales.

No intente recargar pilas no recargables.

Quite las pilas recargables antes de realizar la carga.

No mezcle pilas nuevas y pilas viejas.

Quite las pilas si la unidad no se usa durante periodos prolongados de tiempo.

El cambio de las pilas no afectará a la configuración del modo de temporización.

Asegúrese de configurar el reloj con la hora correcta.

NOTA: Para usar la unidad de forma manual o con el control remoto, el interruptor de encendido/apagado manual debe estar en la posición de encendido. Para evitar el sobrecalentamiento del producto se aplica un retraso de 10 segundos al encender el calentador y un retraso de 10 segundos al apagar el ventilador calefactor.

El botón de control manual no permite gestionar todas las opciones, sino que solo facilita el uso de las funciones básicas del dispositivo. Use el control remoto para disfrutar de todas las funcionalidades.

INDICADORES DE FUNCIONAMIENTO DEL CALEFACTOR

Si el ventilador calefactor se usa en combinación con el efecto de flameado o el efecto de base de combustible, los indicadores de funcionamiento del calefactor se iluminarán durante 10 segundos.

Los LED se iluminan durante 10 segundos si el efecto de flameado o el efecto de la base de combustible están activados.

Si el ventilador calefactor se usa de forma independiente, los indicadores de funcionamiento del calefactor se mantendrán activados.

Botón de reinicio del control remoto

Si el control remoto pierde la señal o debe ser reemplazado, consulte la sección Mantenimiento para obtener más información.

CÓDIGO DE SEÑALES

El transmisor portátil se ha configurado de fábrica con un código de señales único.

IMPORTANTE: Si el control remoto pierde la señal o debe ser reemplazado, consulte la sección Mantenimiento para obtener más información.

MANTENIMIENTO



IMPORTANTE: EL PANEL EXTERIOR DEL VOGUE MIDI ESTÁ COMPUESTO DE HIERRO COLADO. TENGA CUIDADO AL REALIZAR LA INSTALACIÓN, LA EXTRACCIÓN Y EL ALMACENAMIENTO DE LA UNIDAD: LOS COMPONENTES SON PESADOS Y DEBEN SER MANIPULADOS CUIDADOSAMENTE.

DESENCHUFE EL DISPOSITIVO DEL SUMINISTRO ELÉCTRICO ANTES DE REALIZAR CUALQUIER TAREA DE MANTENIMIENTO O LIMPIEZA.

LIMPIEZA GENERAL

Limpe la cubierta externa solo cuando esté fría. No use limpiadores abrasivos.

LIMPIEZA DE LA PARTE FRONTAL

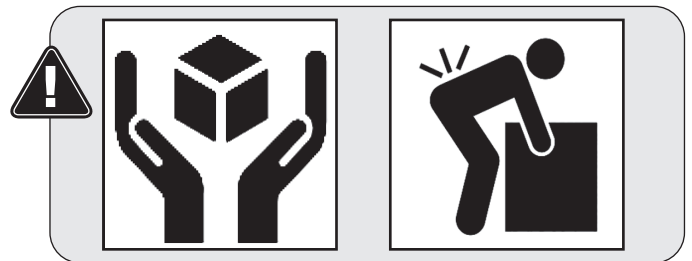
Limpe el panel de visualización con un trapo humedecido y repáselo con un paño sin pelusa.

Advertencia: No use limpiadores abrasivos en el panel de cristal. No realice el rociado de ningún tipo de líquido directamente en la superficie de la unidad.

LIMPIEZA DE LA BASE DE COMBUSTIBLE

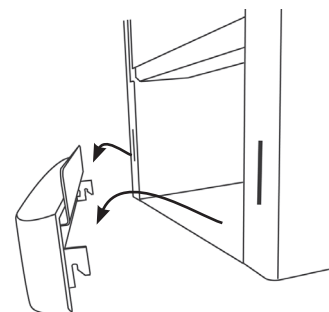
Para limpiar la base de combustible es necesario quitar el panel del cristal de visualización.

Asegúrese de que la unidad se ha desenchufado.



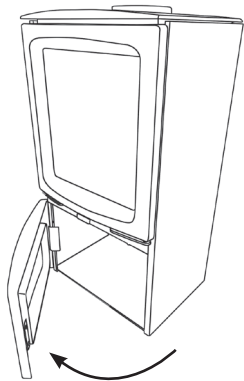
1a

Vogue Midi/ Midi T

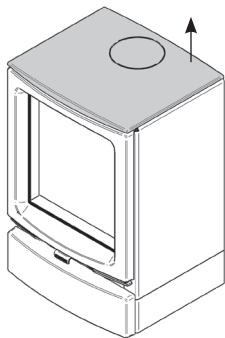


1b

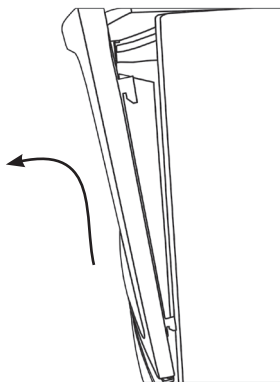
Vogue Midi Midline/ Highline



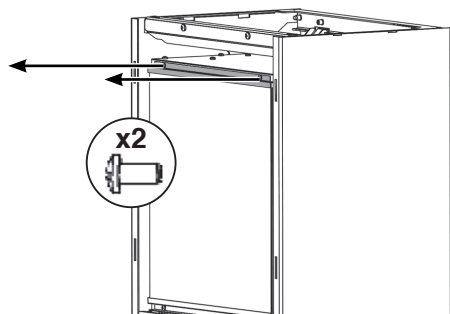
2



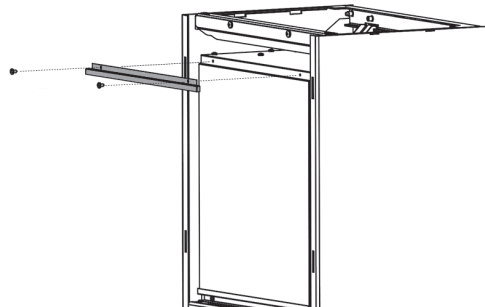
3



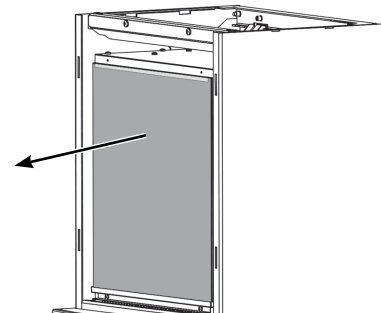
4



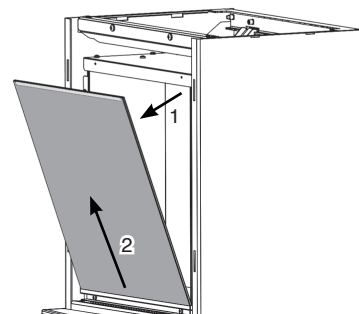
5



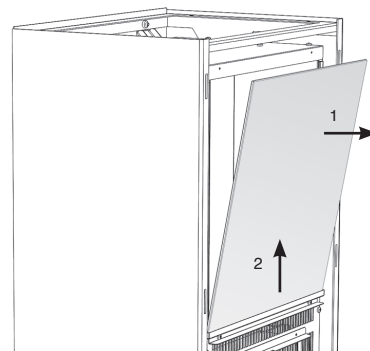
6



7



8



Ahora puede acceder a la base de combustible.

Quite y limpie la base de combustible para eliminar las partículas de polvo. Alternativamente, limpie la base con un paño sin pelusa. **Asegúrese de que la base está seca antes de volver a colocarla.**

Para reemplazar la base de combustible, consulte el diagrama de la sección 5 de las instrucciones de instalación.

Realice la reinstalación en orden inverso.

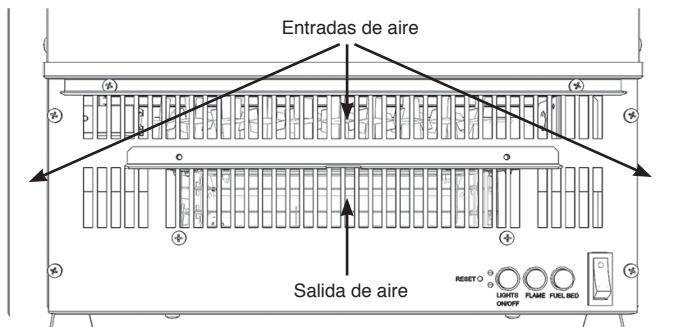
LIMPIEZA DE LAS ENTRADAS DE AIRE

Asegúrese de que la unidad se ha desenchufado.

Quite el plinto (modelos Midi/ Midi T) o abra la puerta (modelos Midi Midline/ Highline), y quite el bastidor y la parte superior de la unidad.

Limpie las rejillas de salida y entrada de aire regularmente con un trapo suave o con la boquilla de una aspiradora.

Nota: Entre las unidades de salida y entrada se encuentran entradas de aire que deben limpiarse de forma regular.



La acumulación de polvo puede impedir el rendimiento eficiente del ventilador y producir la activación del disyuntor de seguridad.

Mantenga el área alrededor de la unidad limpia, sin polvo, pelusa ni pelos de animales de compañía.

Las acumulaciones de residuos, como el polvo, se pueden producir particularmente alrededor del área del calefactor. Procure retirar de esta área dichas partículas de forma regular para evitar acumulaciones.

INSTALACIÓN

GENERAL

HERRAMIENTAS NECESARIAS

No se requieren herramientas para instalar la unidad.

DESEMBALAJE DEL PRODUCTO

ADVERTENCIA NO use la unidad si alguno de sus componentes se ha expuesto al agua.

Si es necesario, póngase en contacto con un técnico de servicio cualificado para analizar y sustituir cualquier componente del sistema eléctrico.

Abra el embalaje con cuidado y quite el envoltorio de poliestireno. Quite la bolsa de plástico y deshágase de esta. Mantenga el embalaje de plástico fuera del alcance de los niños. Gestione los materiales de embalaje de forma responsable.

Asegúrese de que dispone de todos los componentes y accesorios antes de deshacerse del embalaje. Si hace falta, mantenga el embalaje original para transportar o guardar el producto en el futuro.



El producto tiene un peso considerable y no requiere su anclaje al suelo o a la chimenea. Sin embargo, en ciertas circunstancias, la unidad puede carecer de la estabilidad necesaria (por ejemplo, si se apoya en esta). Si es probable que se produzcan este tipo de situaciones, fije la unidad a la chimenea o al suelo con los elementos de sujeción correspondientes.

UBICACIÓN DE LA UNIDAD

La unidad se puede instalar en prácticamente cualquier ubicación de su hogar. Sin embargo, al seleccionar una ubicación para el producto, asegúrese de seguir las instrucciones generales.

Para disfrutar de los mejores resultados, instale el dispositivo donde no esté expuesto directamente a la luz solar.

Si el cable de alimentación está dañado, póngase en contacto con el proveedor minorista para obtener un cable de reemplazo. Use solo componentes originales de Gazco con el producto.

La unidad debe colocarse cerca de una toma de alimentación adecuada para permitir la conexión correspondiente. La toma debe poder ser accedida fácilmente para permitir la desconexión de la unidad durante su instalación.

El dispositivo debe situarse en una superficie firme, plana y limpia. No sitúe la unidad sobre una alfombra. Asegúrese de que los muebles y las cortinas (y demás elementos) se sitúan a una distancia no inferior a 1 metro de la unidad, y de que esta se coloca en una superficie que puede ser expuesta a temperaturas de hasta 90 °C durante intervalos prolongados de tiempo. No coloque alfombras a distancias inferiores a 500 mm de la parte frontal del dispositivo.

Asegúrese de que los muebles y las cortinas no se colocan cerca de la posición seleccionada dado que esto podría representar un peligro de incendio o bloquear las salidas de aire del calentador.

ADVERTENCIA MANTENGA LOS MATERIALES COMBUSTIBLES A COMO MÍNIMO 1 METRO DE LOS LADOS Y LA PARTE DELANTERA DE LA UNIDAD.

ESPACIOS ALREDEDOR DE CHIMENEAS DE GRANDES DIMENSIONES (INGLENOOK):

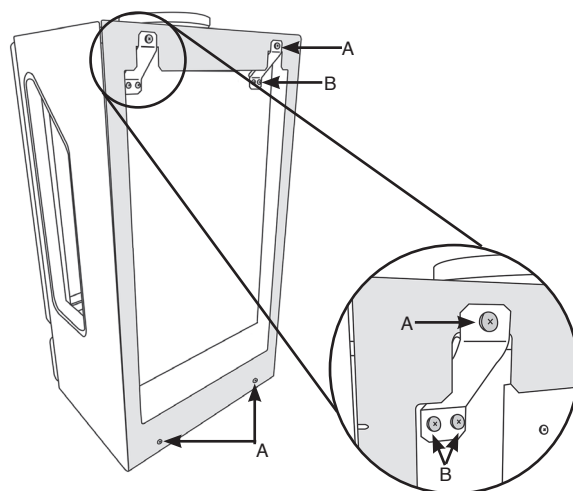
Para todos los modelos, las dimensiones necesarias para la instalación en chimeneas de grandes dimensiones (de estilo tradicional, o inglenook) se pueden calcular mediante la adición de 225 mm a la altura de la unidad y 150 mm a los lados de esta. Es preciso agregar 50 mm a la profundidad para proporcionar el espacio necesario detrás de la unidad.

FIJACIÓN DE LA UNIDAD A UNA PARED - SOLO DISPOSITIVOS VOGUE MIDI T DE 3 CARAS

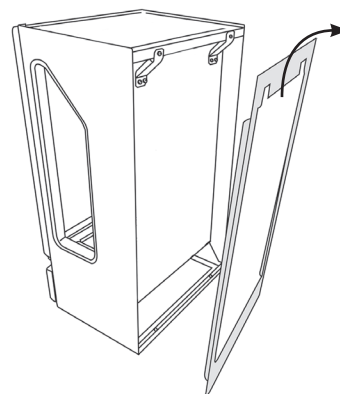
Para instalar el dispositivo Vogue en la pared será necesario retirar el panel posterior.

Quite los 4 tornillos (flecha A en el diagrama).

Afloje los 4 tornillos (flecha B en el diagrama).



Levante el panel de los soportes superiores (consulte el diagrama).



Apriete los 4 tornillos que había aflojado anteriormente (flecha B) y vuelva a colocar los 2 tornillos superiores (flecha A).

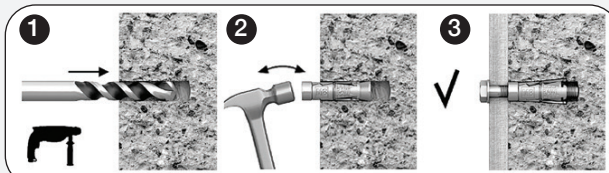


ADVERTENCIA: La unidad tiene un peso considerable.

El fabricante la ha diseñado para ser instalada en paredes de mampostería y los componentes suministrados reflejan esta circunstancia. Si la instalación se realiza en paredes con montantes, es preciso que la ubicación de los puntos de fijación se realice en los listones y no en el yeso. Use las fijaciones apropiadas. No instale la unidad exclusivamente en una pared de yeso.



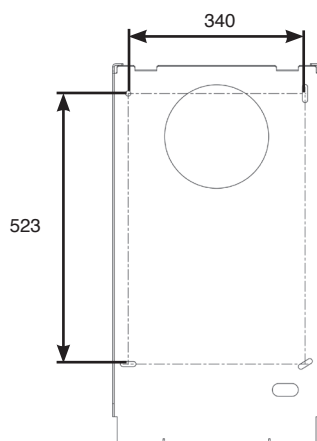
Las fijaciones suministradas en el kit de montaje en la pared son de tipo R-RBL Rawlbolt, y deben usarse de la manera descrita a continuación.



Asegúrese de contar con un grosor mínimo del sustrato de 100 mm.

1. Realice la perforación de un agujero de anchura: 14 mm x profundidad: 65 mm.
Nota: Si se instala en una pared de ladrillos, evite las juntas.
Limpie el agujero y retire los restos de la perforación con una escobilla y una bomba.
2. Quite el tornillo y la arandela preinstalados. Inserte la cubierta del tornillo y use un martillo para introducirla hasta nivelarla con la superficie.
3. Inserte el tornillo con la arandela en la cubierta. Ajústelo hasta un par de torsión de 15 Nm.

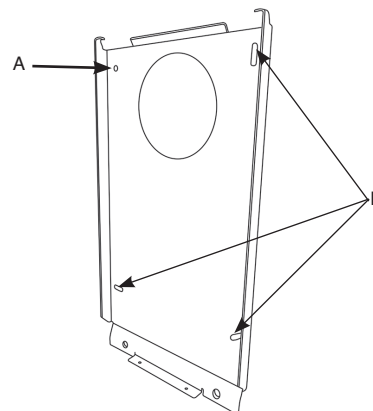
Si la instalación se realiza en paredes con montantes, es preciso que la ubicación de los listones coincida con el área de fijación del soporte de montaje en la pared.



Coloque el soporte de montaje en la pared en la ubicación correspondiente.

Marque y realice el agujero de fijación de la parte superior izquierda.

Fije el soporte con un tornillo (consulte la flecha A en el diagrama). Todavía no apriete el tornillo.



Nivele el soporte de montaje en la pared y marque los tres agujeros restantes (consulte la flecha B del diagrama).

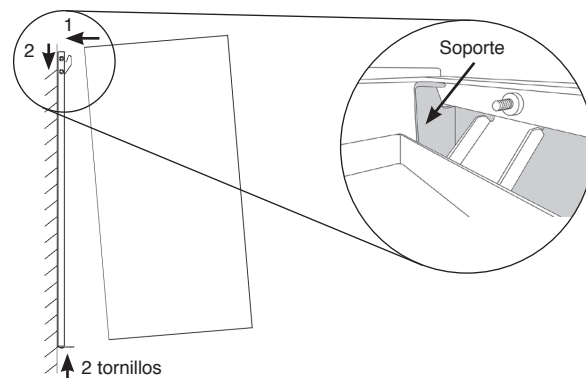
Quite el soporte de montaje en la pared y haga los agujeros de fijación.

Vuelva a colocar el soporte de montaje en la pared y coloque los tornillos. Todavía no los apriete.

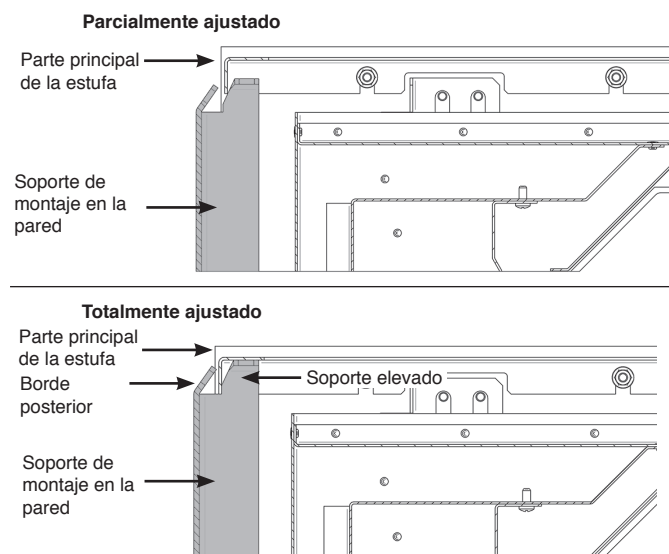
Si es necesario, realice los ajustes correspondientes para nivelar el soporte de montaje en la pared. Apriete los 4 tornillos.

ADVERTENCIA: La unidad tiene un peso considerable y debe ser manipulada con cuidado. Para levantar el producto son necesarias dos personas.

Trabe la parte superior del soporte bajo la parte superior del armazón de forma ladeada, y bájelo con cuidado hasta la posición correspondiente. Asegúrese de que el soporte esté bien ajustado.



NOTA: El borde superior del lado posterior de la unidad debe ubicarse entre el borde posterior del soporte de montaje en la pared y los soportes elevados.



Fije la base del soporte desde la parte inferior mediante los 2 tornillos proporcionados.

MANTENIMIENTO



DURANTE LA REPARACIÓN DE ESTE APARATO, PODRÍA TENER QUE CORTAR BRIDAS DE CABLES PARA PONER ACCEDER A ALGUNAS PIEZAS PARA SU DESMONTAJE. LAS BRIDAS SE DEBERÁN VOLVER A COLOCAR CUANDO SE INSTALE DE NUEVO EL APARATO.

ESTE APARATO SOLAMENTE DEBE REPARARLO UNA PERSONA DEBIDAMENTE ACREDITADA. ANTES DE REALIZAR TAREAS CON EL APARATO: APAGUE EL APARATO Y RETIRE LA FUENTE DE ALIMENTACIÓN PARA ASEGURAR QUE EL APARATO NO CUENTA CON ALIMENTACIÓN ELÉCTRICA.

Espere al menos 10 minutos hasta que se haya enfriado el aparato.

Sustitución de la pila del mando a distancia

Sustituir por 2 pilas AAA. Asegúrese de que la pila se encuentra correctamente instalada en el mando a distancia.



NOTA: El control remoto tiene un indicador de estado de la batería (en la esquina superior derecha); tras un lapso prolongado de mostrar que está agotada, la pantalla LED dejará de funcionar: Sin embargo, el mando seguirá controlando la unidad. Cambie las pilas para que la pantalla vuelva a funcionar.

Mantenimiento de los motores

Los motores empleados en el ventilador y en el efecto de llama vienen ya engrasados para prolongar su vida útil y no requieren volver a ser engrasados. Sin embargo, sí se recomienda la limpieza o aspirado periódicos de la unidad del ventilador/calefactor.

Reinicio del interruptor térmico de protección

El aparato dispone de un control electrónico de seguridad. Se trata de un dispositivo de seguridad que desconecta la estufa en caso de que el aparato se sobrecaliente por cualquier razón, como por ejemplo al cubrirse.

Si el calefactor deja de funcionar mientras continua con normalidad el efecto de llama, es un indicador de que el control de seguridad se ha activado.

Este control solamente puede reiniciarse una vez que el aparato se ha enfriado.

Para reiniciar el control de seguridad:

Desconecte el aparato (interruptor encendido/apagado manual) y espere unos 120 minutos.

Elimine cualquier obstrucción en la salida del ventilocalefactor u otras piezas internas.

Encienda el aparato y el control de seguridad se reiniciará.

Compruebe que el aparato funciona con normalidad. Si el control de seguridad se activa de nuevo, el aparato deberá ser revisado por un electricista cualificado.

IMPORTANTE

ALGUMAS PARTES DA CAIXA EXTERIOR DESTA APARELHO SÃO CONSIDERADAS PELO FABRICANTE COMO UMA SUPERFÍCIE OPERACIONAL QUE FICA QUENTE QUANDO O AQUECEDOR É LIGADO. RECOMENDA-SE, POR ISSO, QUE SEJA UTILIZADA UM GUARDA-FOGO EM CONFORMIDADE COM A BS 8423 (ÚLTIMA EDIÇÃO) NA PRESENÇA DE CRIANÇAS, IDOSOS OU ENFERMOS.

A GRELHA DE SAÍDA DO AQUECEDOR FICA MUITO QUENTE DURANTE O FUNCIONAMENTO. NÃO TAPE A GRELHA DE SAÍDA OU QUALQUER PARTE DO APARELHO.

Para uso apenas com alimentação elétrica 230V 50Hz.

Leia estas instruções atentamente antes da instalação e mantenha-as num local seguro.

São necessárias durante os trabalhos de manutenção ou de reparação.

ESTE APARELHO DEVE SER LIGADO À TERRA

ESTE PRODUTO É ADEQUADO APENAS PARA ESPAÇOS BEM ISOLADOS E USO OCASIONAL.

INFORMAÇÕES IMPORTANTES SOBRE SAÚDE E SEGURANÇA

Leia todas as instruções atentamente antes de usar o aparelho.

Remova todas as embalagens e elimine-as para uma instalação de reciclagem apropriada.

Não coloque este aparelho imediatamente abaixo de uma tomada fixa.

Algumas partes da caixa exterior deste aparelho são consideradas pelo fabricante como uma superfície operacional que fica quente quando o aquecedor é ligado. Deve usar um guarda-fogo adequado para proteger crianças, idosos e enfermos.

Não use este aparelho na proximidade de banheiras, chuveiros, piscinas ou qualquer outra área onde o aparelho possa entrar em contacto com água ou humidade, por exemplo, uma casa de banho.



ADVERTÊNCIA! NÃO TAPAR

Não permita que o aparelho seja coberto ou que a entrada/saída de ar fique obstruída, pois o aparelho pode sobreaquecer. Observe o símbolo de advertência no aparelho (veja acima).

Apenas para uso no interior. Este aparelho não é adequado para uso no exterior.

Este aparelho deve ser colocado sobre uma superfície limpa, nivelada e firme. Não coloque a lareira em cima de um tapete. Certifique-se que móveis, cortinas, etc. estão posicionados a, no mínimo, 1m de distância, e que a lareira está sobre uma superfície que pode suportar temperaturas de 90°C durante períodos prolongados. Não coloque tapetes a menos de 500mm da parte frontal do aparelho.

Quando o cabo elétrico tiver que passar através de uma lareira, barreiras de pedra, etc., certifique-se de que são colocados casquilhos de borracha adequados nos possíveis pontos de desgaste.

Se instalado numa lareira aberta, cubra a chaminé para reduzir o risco de que uma corrente de ar possa acionar o dispositivo de segurança.

Mantenha o cabo elétrico afastado de superfícies e ambientes quentes. Não passe o cabo elétrico pela frente do aparelho.

Depois de instalada a lareira, a ficha elétrica deve ficar acessível. Se o cabo elétrico estiver danificado, não utilize o aparelho antes de proceder à sua substituição. Por razões de segurança, a substituição do cabo deve ser realizada por um agente de serviço Gazco ou por um electricista qualificado.

CUIDADO: Para evitar riscos devido à reinicialização inadvertida do corte térmico, este aparelho não deve ser alimentado por um dispositivo de comutação externo, como um temporizador, ou ligado a um circuito que é regularmente ligado e desligado pela utilitário.

Não opere o aparelho se estiver danificado.

As reparações de aparelhos elétricos devem ser realizados apenas por um profissional electricista qualificado. Se o aparelho não funcionar, ou em caso de qualquer avaria, contacte o revendedor onde o aparelho foi comprado.

Este aparelho pode ser usado por crianças a partir de 8 anos de idade e por pessoas com capacidades físicas, sensoriais ou mentais reduzidas ou com falta de experiência e de conhecimento, desde que supervisionadas e instruídas sobre o uso do aparelho de forma segura e desde que entendam os perigos envolvidos. As crianças não devem brincar com o aparelho. A limpeza e manutenção pelo utilizador não devem ser realizadas por crianças sem supervisão.

As crianças com menos de 3 anos devem ser mantidas afastadas, exceto se continuamente supervisionadas.

As crianças com idade entre 3 e 8 anos só devem ligar/desligar o aparelho, desde que tenha sido colocado ou instalado na posição normal de operação e se supervisionadas e instruídas sobre o uso do aparelho de forma segura e compreendam os perigos envolvidos. As crianças com idade entre 3 e os 8 anos de idade não devem ligar, regular e limpar o aparelho ou realizar manutenção.

Cuidado: Algumas partes deste produto podem ficar muito quentes e provocar queimaduras. Deve ser prestada atenção especial quando estão presentes crianças e pessoas vulneráveis.

No entanto, a Gazco recomenda:

Este aparelho não se destina a ser utilizado por pessoas com menos de 12 anos, pessoas com capacidades físicas, sensoriais ou mentais reduzidas ou pessoas com falta de experiência e de conhecimento sobre o funcionamento seguro do aparelho.

O aparelho pode ser operado por pessoas com mais de 12 anos, desde que instruídas sobre o uso seguro do aparelho e que compreendam os riscos envolvidos. As pessoas com mais de 12 anos também podem operar o aparelho se supervisionadas por um adulto responsável.

Algumas partes deste aparelho ficam quentes durante a operação e em nenhuma circunstância pessoas com menos de 12 anos devem ser deixadas sozinhas com o produto quando está em operação, exceto se for usado um guarda-fogo adequado para proteção contra a possibilidade de contacto direto com o aparelho. As crianças não devem brincar com o aparelho.

A limpeza e manutenção pelo utilizador não devem ser realizadas por crianças sem supervisão.

INSTRUÇÕES DE OPERAÇÃO

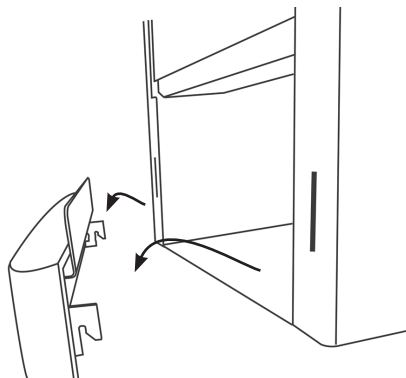


ADVERTÊNCIA! Não opere o aparelho se estiver danificado ou a funcionar mal. Se você suspeitar que o aparelho está danificado ou com algum defeito, contacte um técnico qualificado para inspecionar o aparelho e substitua qualquer parte do sistema elétrico, se necessário, antes de o voltar a utilizar.

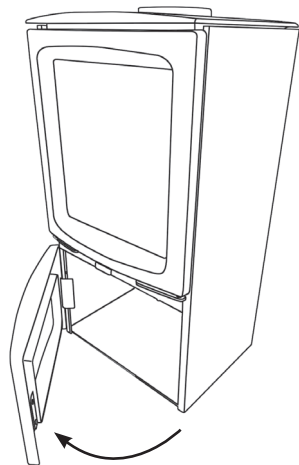
Não desligue a alimentação da rede elétrica enquanto o aparelho estiver a funcionar. Use as funções no controlo remoto para desligar a lareira e certifique-se de que o interruptor principal está na posição off antes de desligar.

LOCALIZAÇÃO DO INTERRUPTO DE POTÊNCIA

MODELOS VOGUE MIDI/ MIDI T



MODELOS VOGUE MIDI MIDLINE/ HIGHLINE

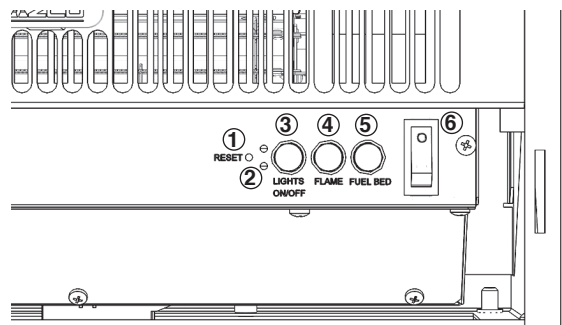


PAINEL DE CONTROLO MANUAL



NOTA: Para usar as funções remotas e manuais, o botão ON/OFF manual deve estar na posição 'ON'. Para evitar que o produto aqueça demasiado, existe um atraso de 10s ao ligar o aquecedor e um atraso de 10s ao desligar a ventoinha do aquecedor.

O botão manual controla as funções básicas, não uma gama completa de controlos. Use o controlo remoto para executar todas as funções.



1. Botão de reinicialização remota
2. Indicadores de funcionamento do aquecedor
3. Todas as luzes On/Off
4. Botão de configuração da chama
5. Botão de configuração do leito de combustível
6. On/Off da rede elétrica

OPERAÇÃO DO APARELHO

Pressione 6 para **Ligar e Desligar o aparelho**.



NOTA: Para usar as funções remotas e manuais, o botão ON/OFF manual deve estar na posição 'ON'. Para evitar o sobreaquecimento do produto, existe um atraso de 10s ao ligar e desligar a ventoinha do aquecedor.

O botão manual controla as funções básicas. Use o controlo remoto para executar todas as funções.

Pressione 3 para **Ligar e desligar a chama e o leito de combustível** ao mesmo tempo.

Pressione 4 para selecionar a cor da chama ou retornar à posição OFF.

Existem 3 opções de cor de chama.

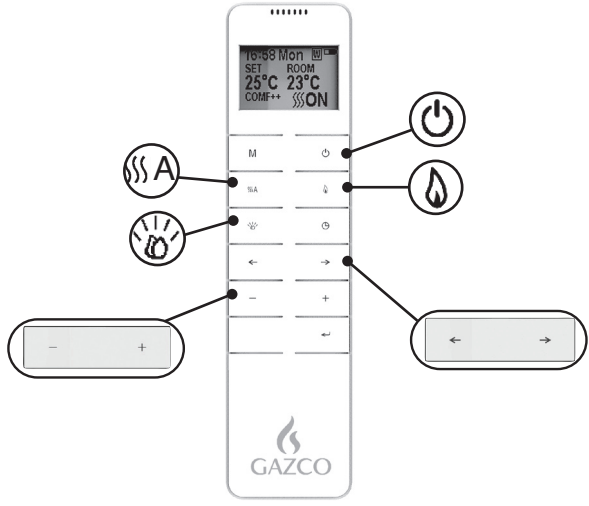
Pressione 5 para selecionar a cor do leito de combustível ou retornar à posição OFF.

Existem 14 opções de cor da leito de combustível.

Nota: O aparelho perde a memória para as funções de luz quando o interruptor for colocado na posição Off ou o controlo remoto ficar sem energia.

CONTROLO REMOTO

O controlo remoto deve ser deixado sobre uma superfície plana na divisão onde o aparelho está instalado e afastado de qualquer fluxo direto de ar quente.

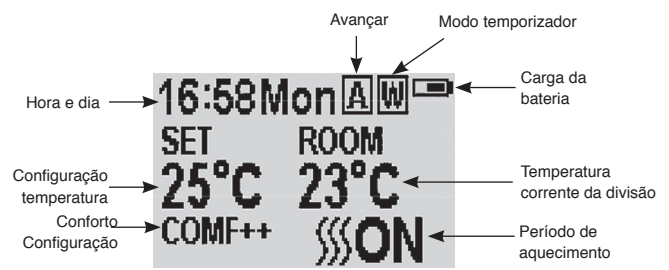
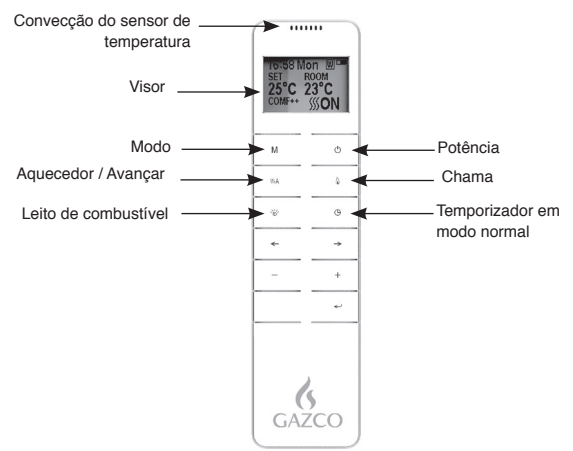


- Potência On/Off
- Aquecedor
- Chamas
- Leito de combustível
- Opção de cor
- Níveis

OPERAÇÃO DO APARELHO - ARRANQUE RÁPIDO

- Ligar e desligar o aparelho**
O aparelho arranca na última configuração.
- Ligue e desligue o aquecedor.**
 - Aumentar ou diminuir a saída de calor.
- Ligar e desligar o efeito de chama.**
 - Mudar a opção de cor. Existem 3 opções de cor de chama:
 - Aumentar ou diminuir o nível de brilho.
- Ligar e desligar o efeito de leito de combustível.**
 - Mudar a opção de cor. Existem 14 opções de cor de leito de combustível:
 - Aumentar ou diminuir o nível de brilho.

OPERAÇÃO DO APARELHO - OPERAÇÃO AVANÇADA

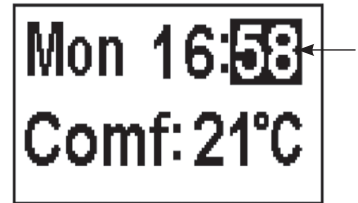


LIGAR/DESLIGAR

- Pressione o botão para ligar o efeito de chama.
- Pressione o botão para desligar todas as funções no modo de controlo de aquecimento normal.
- Pressione o botão para desligar o efeito da chama no modo de aquecimento do temporizador diário e semanal.

DIAS DA SEMANA / HORA / TEMPERATURA DE CONFORTO E CONFIGURAÇÃO DA UNIDADE

- Certifique-se de que o relógio está definido com a hora certa.**
- Pressione **M** durante 3 segundos.
- Pressione o botão '←' ou '→' para seleccionar a configuração.
- O carácter seleccionado será destacado.



Pressione o botão '+' ou '-' para ajustar o número.

Hora: Sistema de 24 horas.

Selecione a temperatura Comfort entre 15-25°C.

Temperatura unidade: °C/°F.

Pressione o botão durante 3 segundos ou aguarde 10 segundos para guardar e sair da configuração de semana, hora e temperatura de aquecimento.

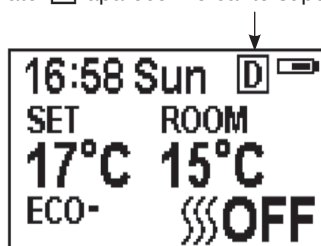
TEMPORIZADOR AQUECIMENTO DIÁRIO

Os seguintes períodos de aquecimento foram predefinidos, mas podem ser alterados se desejar:

06:00 até 08:00

17:00 até 22:00

Pressione **M** até **D** aparecer no canto superior direito do visor.

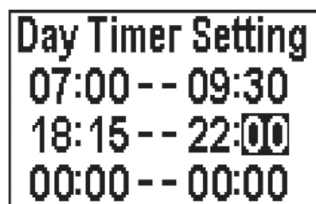


Mantenha pressionado o botão durante 6 segundos. Podem ser definidos por dia 3 períodos de aquecimento programados.

Pressione '' ou '' para selecionar as horas e os minutos..

Pressione '+' ou '-' para ajustar o número.

Os minutos aumentam / diminuem 15 minutos por cada pressão.



Mantenha pressionado o botão durante 3 segundos ou aguarde 10 segundos para guardar e sair da configuração do período de aquecimento.

Pressione para verificar o modo de temporizador diário.

Para desligar o aquecimento, volte ao modo de controlo normal.

Quando está no modo de temporizador diário e desliga o aparelho com o controlo remoto desliga a iluminação. A saída de calor continua de acordo com as configurações do temporizador.

AJUSTAR A TEMPERATURA DEFINIDA

Pressione o botão '+' ou '-' para aumentar ou diminuir a temperatura com base na temperatura COMF.

COMF significa que a temperatura real é a mesma que a configuração.

ECO significa que a temperatura real é 2 °C mais baixa do que a temperatura definida.

ECO- significa 4°C mais baixo.

COMF+ significa 2°C mais alto.

COMF++ significa 4°C mais alto.

CONTROLO DE ARRANQUE ADAPTÁVEL

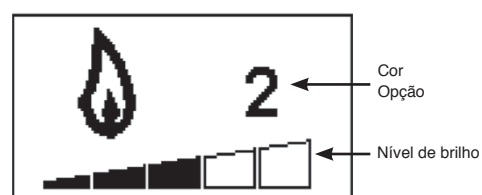
O aquecedor determina automaticamente a hora apropriada para aquecer para garantir que a temperatura definida é atingida no período definido (até 45 minutos antes do tempo definido).

AJUSTAR A COR DA CHAMA

Pressione o botão.

Existem 3 opções de cor de chama.

Existem 6 níveis de brilho, incluindo off.



Pressione o botão '' ou '' para alternar entre as opções de cor de chama.

Pressione o botão '+' para aumentar o brilho da chama.

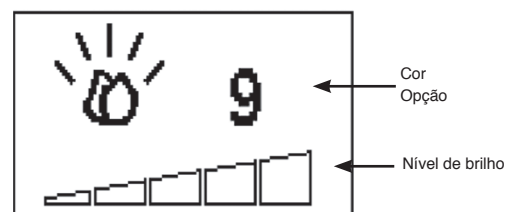
Pressione o botão '-' para diminuir o brilho da chama até desligar.

AJUSTAR A COR DO LEITO DE COMBUSTÍVEL

Pressione para entrar no visor de ajuste da luz do leito de combustível.

Existem 14 opções de cor da leito de combustível.

Existem 6 níveis de brilho, incluindo off.



Pressione o botão '' ou '' para alternar entre as opções de cor do leito de combustível.

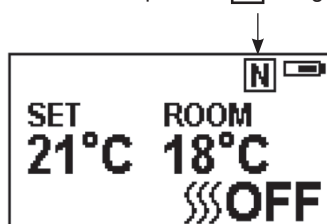
Pressione o botão '+' para aumentar o brilho do leito de combustível.

Pressione o botão '-' para diminuir o brilho do leito de combustível até desligar.

MODO DE CONTROLO NORMAL

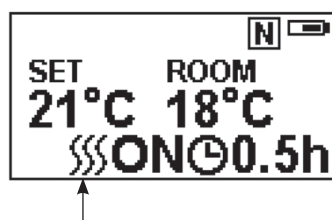
O modo de controlo normal é a configuração por defeito

Pressione o botão **M** até aparecer **N** o logótipo



Pressione o botão '+' ou '-' para ajustar a temperatura de configuração de 17 °C a 25°C.

Pressione o botão **[[[A** para ligar e desligar o aquecimento.



Nota: É normal que o aquecedor com ventoinha deixe de funcionar durante períodos de tempo. Isto acontece se a temperatura ambiente for superior à temperatura definida no controlo.

O indicador do aquecedor será desligado após 10s se a chama estiver ON. O indicador do aquecedor permanece ON se for usada apenas a função de aquecimento.

Quando está no modo de controlo normal e desliga o aparelho com o controlo remoto, desliga a iluminação e o aquecedor.

TEMPORIZADOR DE CONTAGEM REGRESSIVA

Esta configuração existe apenas no modo de controlo de aquecimento normal. Permite que o aparelho volte ao modo de Standby após um determinado período de tempo. O aquecedor deve estar ligado para usar esta função.

Pressione **⌚** para alternar entre a configuração de OFF e 0,5 horas a 9 horas. O logótipo do temporizador e o tempo restante serão exibidos no visor.

O aquecedor do aparelho pode ser executado automaticamente usando o temporizador diário e o semanal.

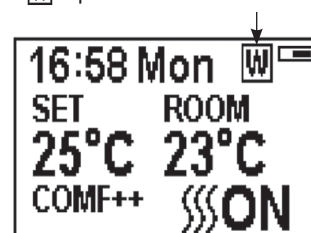
TEMPORIZADOR AQUECIMENTO SEMANAL

Os seguintes períodos de aquecimento foram predefinidos, mas podem ser alterados se desejado:

De Segunda a Sexta
06:00 até 08:30
17:00 até 22:00

De Sábado a Domingo
06:30 até 09:30
11:00 até 13:00
17:00 até 22:00

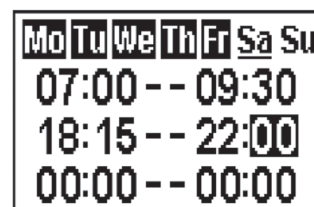
Pressione **M** até **W** aparecer.



Mantenha pressionado o botão **←** durante 6 segundos.

Pressione '**←**' ou '**→**' para mover o cursor (um sublinhado intermitente).

Pressione o botão **←** na posição da semana correspondente para selecionar (o carácter é destacado) ou cancelar (o carácter é exibido normalmente) a configuração atual, o mesmo período de tempo pode ser selecionado em conjunto.



Pressione o botão '**→**' para mover o cursor para a área de configuração do período de tempo.

Pressione o botão '**←**' ou '**→**' para selecionar a hora ou os minutos.

Pressione '+' ou '-' para ajustar o número. Podem ser definidos, no máximo, 3 períodos de aquecimento por dia. Os minutos aumentam / diminuem 15 minutos por cada pressão.

Pressione **←** para definir o tempo de aquecimento para o dia selecionado e regressar à linha da semana.

Mantenha pressionado o botão **←** durante 3 segundos ou aguarde 10 segundos para guardar e sair da configuração do período de aquecimento.

Pressione **←** '**←**' ou '**→**' para verificar a configuração do temporizador para o modo de aquecimento do temporizador semanal.

Para desligar o aquecimento, volte ao modo de controlo normal.

Quando está no modo de temporizador semanal e desliga o aparelho com o controlo remoto desliga a iluminação. A saída de calor continua de acordo com as configurações do temporizador.

AJUSTAR A TEMPERATURA DEFINIDA

Pressione o botão '+' ou '-' para aumentar ou diminuir a temperatura com base na temperatura COMF.

COMF significa que a temperatura real é a mesma que a configuração.

ECO significa que a temperatura real é 2 °C mais baixa do que a temperatura definida.

ECO- significa 4°C mais baixo.

COMF+ significa 2°C mais alto.

COMF++ significa 4°C mais alto.

CONTROLO DE ARRANQUE ADAPTÁVEL

O aquecedor determina automaticamente a hora apropriada para aquecer para garantir que a temperatura definida é atingida no período definido (até 45 minutos antes do tempo definido).

Modo avançado

O estado de aquecimento pode ser avançado para o próximo período no modo de aquecimento do temporizador diário e semanal.

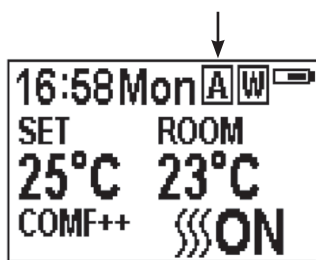


Se o aquecedor estiver ligado no período corrente, pressione o botão Off para desligar o aquecedor.

Se o aquecedor estiver desligado no período corrente, pressione o botão On para ligar o aquecedor.

A saída de aquecimento depende da temperatura ambiente e da temperatura configurada.

Pressione **SSS** **A** para entrar no modo Avançado no modo de aquecimento do temporizador diário e semanal.



Pressione **SSS** **A** novamente ou aguarde que o período do temporizador termine para sair do modo Avançado.

DETEÇÃO DE JANELA ABERTA

Quando o transmissor deteta uma queda rápida na temperatura ambiente, será considerado que está uma janela aberta: o ícone de aviso será exibido e o aquecimento será desligado automaticamente.



Após a subida da temperatura interior ou da intervenção manual (operando o controlo remoto), retorna ao estado normal de funcionamento.

OPERAÇÃO DO APARELHO - RESOLUÇÃO DE PROBLEMAS

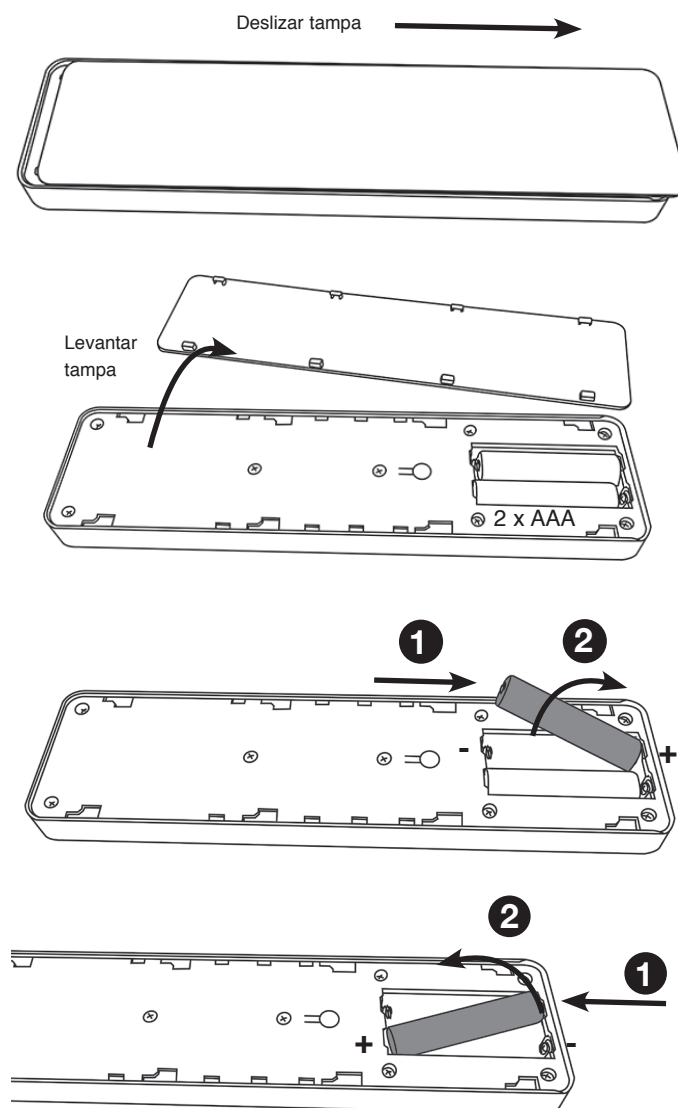
BATERIA

O nível de carga da bateria é indicado no canto superior direito do visor do controlo remoto.

	Bateria cheia	Nenhuma ação requerida
	Bateria com metade da carga	Certifique-se de que tem baterias novas disponíveis.
	Bateria vazia	Substitua as baterias imediatamente

SUBSTITUIÇÃO DA BATERIA

As baterias gastas devem ser removidas do aparelho e eliminadas com segurança.



Certifique-se de que as baterias do aparelho são novas e foram inseridas corretamente.

Elimine as baterias usadas numa instalação de reciclagem apropriada.

É recomendado substituir a bateria anualmente.
O controlo remoto requer duas pilhas AAA alcalinas de 1,5 V.

Certifique-se da polaridade correta.
Não provoque curto-circuito nos terminais.

Não tente recarregar baterias não recarregáveis.

Remova as baterias recarregáveis antes de as carregar.

Não misture pilhas usadas com novas.

Remova as pilhas se o aparelho não for usado durante longos períodos.

**A substituição das baterias não afetará as configurações do Modo Temporizador.
Certifique-se de que o relógio está definido com a hora certa.**



NOTA: Para usar as funções remotas e manuais, o botão ON/OFF manual deve estar na posição 'ON'. Para evitar que o produto aqueça muito, existe um atraso de 10s ao ligar o aquecedor e um atraso de 10s ao desligar a ventoinha do aquecedor.

O botão manual controla as funções básicas, não uma gama completa de controlos. Use o controlo remoto para executar todas as funções.

INDICADORES DE FUNCIONAMENTO DO AQUECEDOR

Quando o aquecedor com ventoinha é usado em conjunto com os efeitos da chama ou do leito de combustível, os indicadores de funcionamento do aquecedor acendem durante 10 segundos.

O LED acende durante 10 segundos se o efeito da chama ou do leito de combustível estiver ON.
Se o aquecedor com ventoinha for usado independentemente, os indicadores de funcionamento do aquecedor permanecem acesos.

BOTÃO DE REINICIALIZAÇÃO PARA CONTROLO REMOTO

Se o aparelho perder o sinal ou precisar de ser substituído, consulte a Secção de Serviços para mais detalhes.

CÓDIGO DE SINAL

O transmissor portátil é configurado na fábrica com um código de sinal exclusivo.

IMPORTANTE: Se o aparelho perder o sinal ou precisar de ser substituído, consulte a Secção de Serviços para mais detalhes.

MANUTENÇÃO



IMPORTANTE: O PAINEL EXTERNO DO VOGUE MIDI É FABRICADO EM FERRO FUNDIDO. CUIDADO AO INSTALAR, REMOVER E ARMAZENAR JÁ QUE OS COMPONENTES SÃO PESADOS E DEVEM SER MANUSEADOS COM CUIDADO.

DESLIGUE SEMPRE DA ALIMENTAÇÃO ELÉTRICA ANTES DE LIMPAR OU DE REALIZAR ALGUM TRABALHO DE MANUTENÇÃO.

LIMPEZA GERAL

Limpe o revestimento exterior apenas quando estiver frio. Não use produtos de limpeza abrasivos.

LIMPEZA DA PARTE FRONTAL

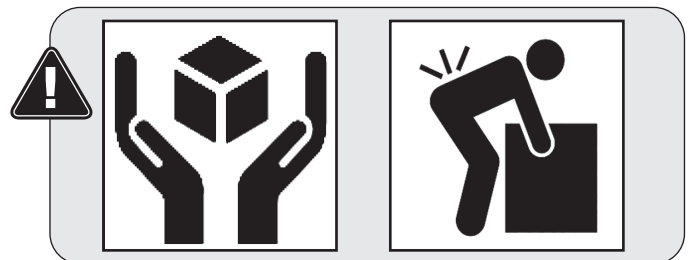
Limpe o painel de visualização de vidro com um pano húmido e seque com um pano que não deixe fiapos.

Cuidado: Não use produtos de limpeza abrasivos no painel de vidro. Não borrife líquidos diretamente sobre a unidade.

LIMPEZA DO EFEITO DE COMBUSTÍVEL

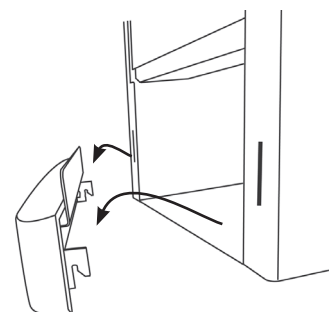
Para aceder ao efeito combustível será necessário remover o painel de vidro.

Certifique-se de que o aparelho está desligado.



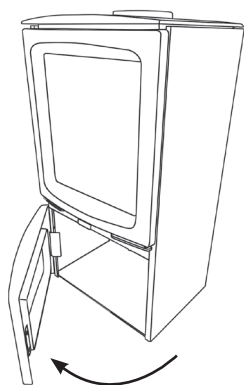
1a

Vogue Midi/ Midi T

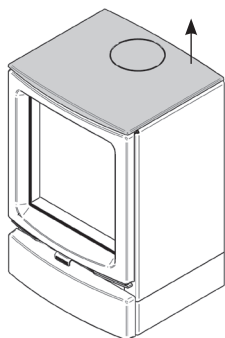


1b

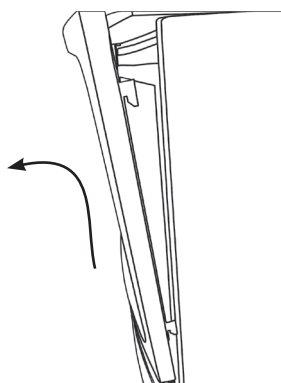
Vogue Midi Midline/ Highline



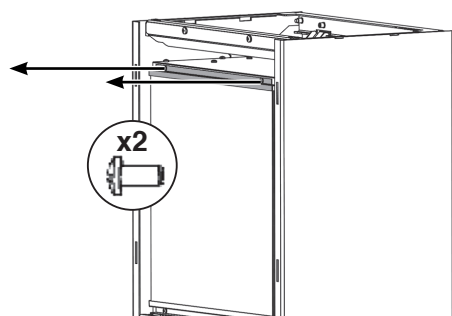
2



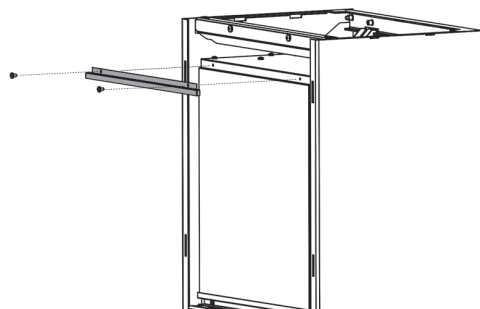
3



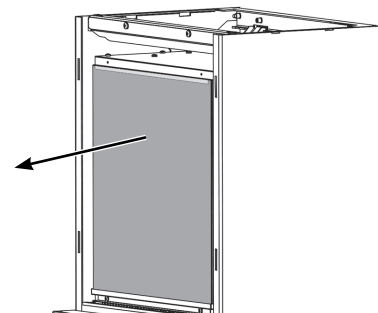
4



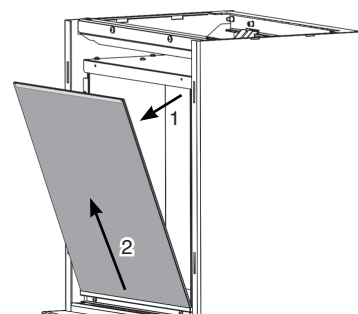
5



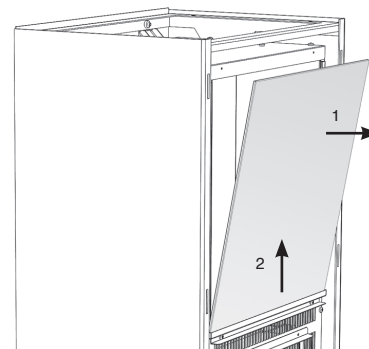
6



7



8



O efeito de combustível pode assim ser acedido.

Remova e lave o efeito de combustível para limpar todas as partículas de poeira. Em alternativa, limpe com um espanador que não solte fiapos.

Certifique-se de que o efeito está seco antes de voltar a colocar.

Substitua o efeito de combustível, consulte a Secção 5 das Instruções de Instalação para obter o esquema.

Substitua pela ordem inversa.

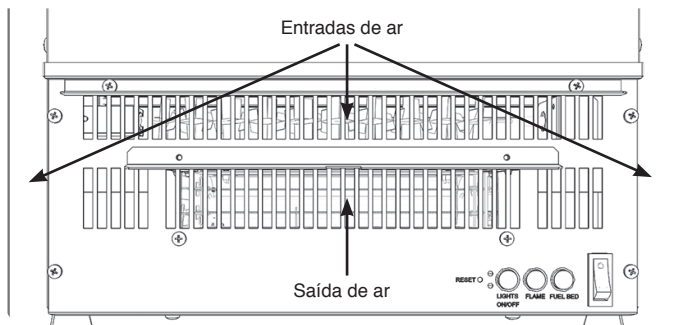
LIMPEZA DAS ENTRADAS DE AR

Certifique-se de que o aparelho está desligado.

Remova o pedestal (modelos Midi/Midi T) ou abra a porta (modelos Midi Midline/Highline), remova a parte superior e a estrutura em ferro fundido.

Limpe regularmente as grelhas de entrada e saída de ar com um pano macio ou com o bico do aspirador.

Nota: Existem entradas de ar posicionadas entre as caixas interior e exterior, que deve certificar-se que são limpas regularmente.



A acumulação de poeira pode prejudicar o desempenho eficiente da ventoinha e levar a uma operação não segura.

Mantenha a área em volta do aparelho limpa e livre de algodão, poeira ou de pelos de animais domésticos.

Em particular, pode ocorrer acumulação de poeira, etc. em torno da área do aquecedor. Preste atenção especial e mantenha esta área livre destas partículas e evite a sua acumulação.

INSTALAÇÃO

GERAL

FERRAMENTAS REQUERIDAS

Não são necessárias ferramentas para instalar este aparelho.

DESEMBALAR A LAREIRA

ADVERTÊNCIA! NÃO use este aparelho se alguma das suas partes tiver sido exposta à água.

Contacte imediatamente um técnico de serviço qualificado para, se necessário, inspecionar e substituir qualquer parte do sistema elétrico.

Abra a embalagem com cuidado e retire o poliestireno. Remova e elimine o saco plástico. Mantenha a embalagem plástica fora do alcance das crianças. Seja responsável ao manusear os materiais da embalagem.

Verifique se todas as peças e acessórios foram removidos antes de eliminar qualquer embalagem. Se necessário, guarde a embalagem original para transporte e/ou armazenamento futuro.



Este aparelho é pesado e não requer ancoragem na lareira ou no chão, mas em algumas circunstâncias o aparelho pode tornar-se instável, por exemplo, ao encostar-se no mesmo. Se possível, fixe o aparelho na lareira ou no chão com fixadores suficientemente fortes.

LOCALIZAÇÃO DO APARELHO

O seu aparelho pode ser instalado virtualmente em qualquer lugar da sua casa. No entanto, ao escolher um local, certifique-se de que as instruções gerais são seguidas.

Para obter melhores resultados, instale afastado da luz solar direta.

Se o cabo de alimentação estiver danificado, entre em contacto com o seu revendedor Gazco para o substituir. Use apenas peças originais Gazco neste aparelho.

O aparelho deve estar idealmente localizado próximo de uma tomada adequada para permitir a sua ligação. A tomada elétrica deve estar facilmente acessível para permitir desligar o aparelho quando instalado.

Este aparelho deve ser colocado sobre uma superfície limpa, nivelada e firme. Não coloque a lareira em cima de um tapete. Certifique-se que móveis, cortinas, etc. estão posicionados a, no mínimo, 1m de distância, e que o aparelho está sobre uma superfície que pode suportar temperaturas de 90°C durante períodos prolongados. Não coloque tapetes a menos de 500mm da parte frontal do aparelho.

Certifique-se que as cortinas e os móveis não estão posicionados próximos da posição escolhida, pois isto criaria um risco potencial de incêndio ou bloquearia as condutas de saída do aquecedor.

ADVERTÊNCIA! MANTENHA TODOS OS MATERIAIS COMBUSTÍVEIS AFASTADOS, PELO MENOS, 1M DA FRENTE E DAS LATERAIS DO APARELHO.

TODAS AS ABERTURAS DA CHAMINÉ DA LAREIRA:

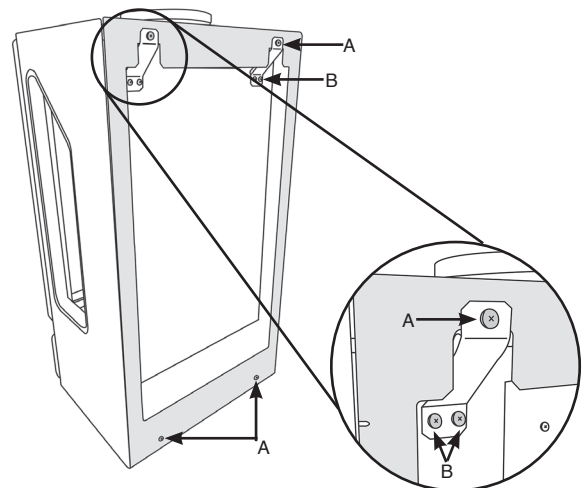
Para todos os modelos, as dimensões necessárias para a instalação da chaminé podem ser calculadas adicionando 225 mm à altura do aparelho e 150 mm a cada lado. Devem ser adicionados 50 mm à profundidade para fornecer espaço adequado na parte de trás do aparelho.

FIXAR O APARELHO NA PAREDE - APENAS O VOGUE MIDI T COM 3 LADOS

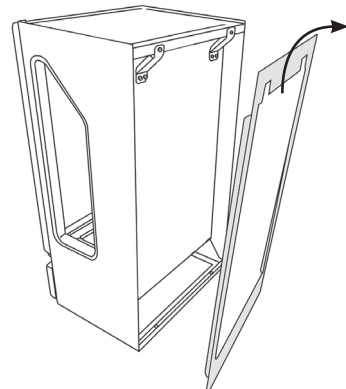
Para instalar a Vogue como um produto montado na parede, será necessário remover o painel traseiro.

Remova os 4 parafusos, consulte o Diagrama, Seta A.

Desaperte os 4 parafusos, consulte o Diagrama, Seta B.



Levante o painel interior dos suportes superiores, consulte o Diagrama.



Aperte os 4 parafusos (Seta B) e volte a colocar os 2 parafusos superiores (Seta A).



AVISO: Este aparelho é pesado. O fabricante desenhou este aparelho para ser fixado a uma parede de alvenaria e todas as fixações fornecidas são apropriadas para essa situação. No caso de instalação numa parede de vigas, os pontos de fixação devem ser através da viga de madeira e não do gesso cartonado. Use as fixações adequadas. **NÃO fixe apenas a uma parede de gesso cartonado.**



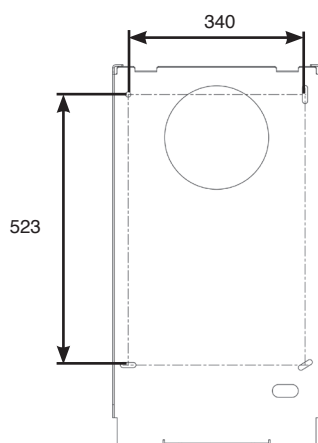
As fixações fornecidas para o kit de montagem na parede são R-RBL Rawlbolts e devem ser instaladas no método descrito abaixo.



Assegure uma espessura mínima de substrato de 100 mm.

1. Faça um furo - Largura: 14 mm x Profundidade: 65 mm.
Nota: Ao fixar em alvenaria, as juntas de argamassa devem ser evitadas
Remova os detritos e limpe completamente o orifício com uma escova e uma bomba
2. Remova o parafuso e a anilha previamente montadas.
Insira a proteção no orifício e bata com o martelo até ficar nivelada com a superfície
3. Insira o parafuso com anilha através do acessório na proteção
Aperte com um binário de 15Nm.

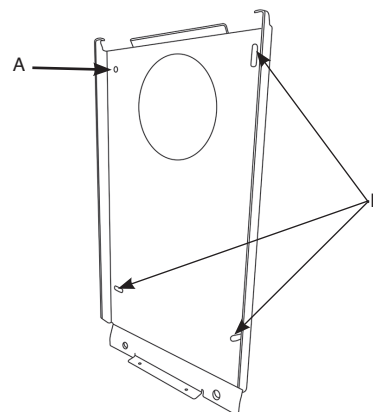
Se instalar numa parede com vigas, é essencial que os suportes fiquem localizados na área de fixação do suporte de montagem mural.



Posicione o suporte de montagem na parede no local adequado.

Marque e fure o orifício de fixação superior esquerdo.

Segure com 1 parafuso, consulte o Diagrama, seta A. Não aperte ainda.



Nivele o suporte de montagem na parede e marque os 3 orifícios restantes, consulte o Diagrama, seta B.

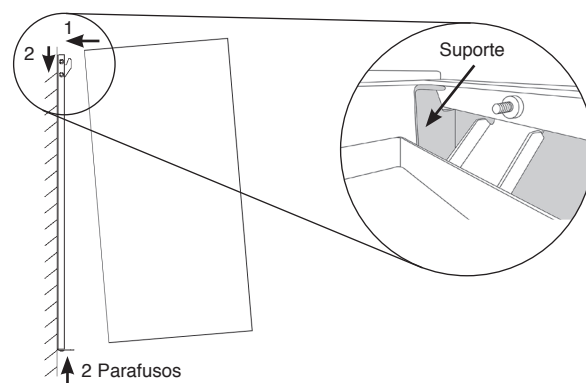
Remova o suporte de montagem na parede e faça os orifícios de fixação.

Substitua o suporte de montagem na parede e prenda com os parafusos. Não aperte ainda.

Nivele o suporte de montagem na parede, ajustando se necessário. Aperte os 4 parafusos.

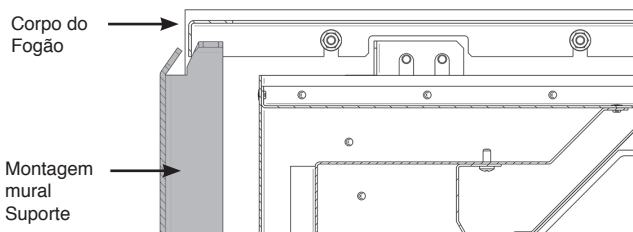
AVISO: Este aparelho é pesado e deve ser manuseado com cuidado. Devem ser usadas duas pessoas para levantar este aparelho.

Engate a parte superior do suporte debaixo a parte superior da carcaça a um ângulo e baixe suavemente na posição. Certifique-se de que o suporte está totalmente encaixado.

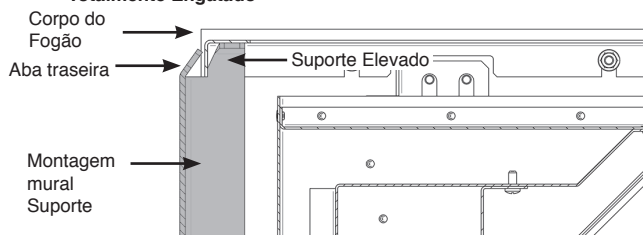


NOTA: A extremidade superior traseira do aparelho deve ficar localizada entre o rebordo posterior do suporte de montagem na parede e os suportes elevados.

Parcialmente Engatado



Totalmente Engatado



Fixe por baixo, através da base do suporte com os 2 parafusos fornecidos.

REQUISITOS DE SERVIÇO



DURANTE A MANUTENÇÃO DESTA APARELHO, PODE SER NECESSÁRIO CORTAR AS FITAS DE CABO PARA ACEDER E REMOVER ALGUMAS PEÇAS. ESTAS DEVEM SER SUBSTITUÍDAS QUANDO O APARELHO FOR MONTADO NOVAMENTE.

ESTE APARELHO DEVE SER REPARADO APENAS POR TÉCNICOS QUALIFICADOS. ANTES DE REALIZAR QUALQUER TRABALHO NO APARELHO: DESLIGUE O APARELHO E ISOLE A ALIMENTAÇÃO ASSEGURANDO QUE NÃO PASSA ENERGIA PARA O APARELHO.

Aguarde pelo menos 10 minutos até que o aparelho arrefeça.

Substituição da bateria do aparelho remoto

Substituir por 2 baterias AAA. Certificar-se de que as pilhas estão instaladas corretamente no controlo remoto.



NOTA: O controlo remoto tem um indicador de estado da bateria (canto superior direito), e após um longo período de exibição vazia, o visor de LED deixa de funcionar, apesar do aparelho ainda conseguir enviar comandos. Substitua as baterias para repor a exibição.

Manutenção de motores

O motor usado no efeito da chama é pré-lubrificado para prolongar a vida útil do rolamento e não requer mais lubrificação. No entanto, recomenda-se a limpeza/aspiração periódica da unidade de aquecimento.

Reinício do interruptor de corte térmico

O aparelho está equipado com um Controlo de Segurança Eletrónico (E.S.). Este é um dispositivo de segurança que desliga a lareira se, por algum motivo, o aparelho sobreaquecer, por ex. se coberto.

Se o aquecedor deixar de funcionar mas o efeito da chama continuar normalmente, isso indica que o controlo E.S. está em operação.

O Controlo E.S. só pode ser reiniciado depois do aparelho arrefecer.

Para reiniciar o E.S.:

Desligue o aparelho (interruptor on/off manual) e aguarde durante cerca de 120 minutos.

Remova qualquer obstrução da saída da ventoinha do aquecedor ou de outras peças internas.

Ligue o aparelho e o Controlo E.S. será reiniciado. Certifique-se de que o aparelho está a funcionar corretamente. Se o Controlo E.S. funcionar novamente, o aparelho deve ser verificado por um eletricista qualificado.

GB: CONTROL SYSTEM TECHNICAL DATA
FR: DONNÉES TECHNIQUES DU SYSTÈME DE COMMANDE

IT: DATI TECNICI DEL SISTEMA DI CONTROLLO
ES: DATOS TÉCNICOS DEL SISTEMA DE CONTROL
PT: DADOS TÉCNICOS DO SISTEMA DE CONTROLO

	GB: Main Control Board FR: Tableau de commande principal IT: Pannello di controllo principale ES: Placa de control principal PT: Placa de controlo principal	GB: Remote Receiver Board FR: Tableau du récepteur à distance IT: Scheda ricevitore remoto ES: Placa receptora a distancia PT: Placa do recetor remoto	GB: Remote Control FR: Commande à distance IT: Telecomando ES: Mando a distancia GR: Τηλεχειριστήριο PT: Controlo remoto
Hardware	RC01-040A05 V1	RF290B V1.2	RF290A-TX V1.3
Software FR: Logiciel	RC01-040A05 V1	-	RF290C V06.0.HEX
GB: Frequency FR: Fréquence IT: Frequenza ES: Frecuencia GR: Συχνότητα PT: Frequência	-	-	ASK/OOK 433.92MHz
GB: Maximum Transmit Power FR: Puissance de transmission maximum IT: Massima potenza di trasmissione ES: Potencia máxima de transmisión PT: Potência máxima de transmissão	-	-	10mW

GB: TECHNICAL SPECIFICATION
FR: SPÉCIFICATIONS TECHNIQUES
IT: SPECIFICHE TECNICHE

ES: ESPECIFICACIÓN TÉCNICA
PT: ESPECIFICAÇÕES TÉCNICAS

Vogue Midi	1500 Watts
Vogue Midi T	1500 Watts

GB: A 230-240VAC 13 Amp 50Hz supply is required
Maximum power consumption:
A 1.8 metre lead with plug containing a BS1362 13A fuse is supplied. Only use a BS1362 13A fuse with this appliance.
2 x Remote control handset battery (AAA).

FR: Une alimentation électrique de 230-240VAC, 50Hz est requise.
La consommation électrique maximale:
L'appareil est fourni avec un câble électrique de 1,80 m de long équipé d'une prise de courant.
2 x Pile de la commande à distance (AAA).

IT: È necessaria un'alimentazione da 230-240VAC, 50Hz
Consumo di corrente massimo:
Viene fornito un cavo di 1,8 m con una spina.
2 x Batteria del telecomando (AAA).

ES: Se requieren 230-240VAC y 50Hz
Máximo consumo:
Se suministra un cable de 1,8 metros con enchufe.
2 x Batería (AAA).

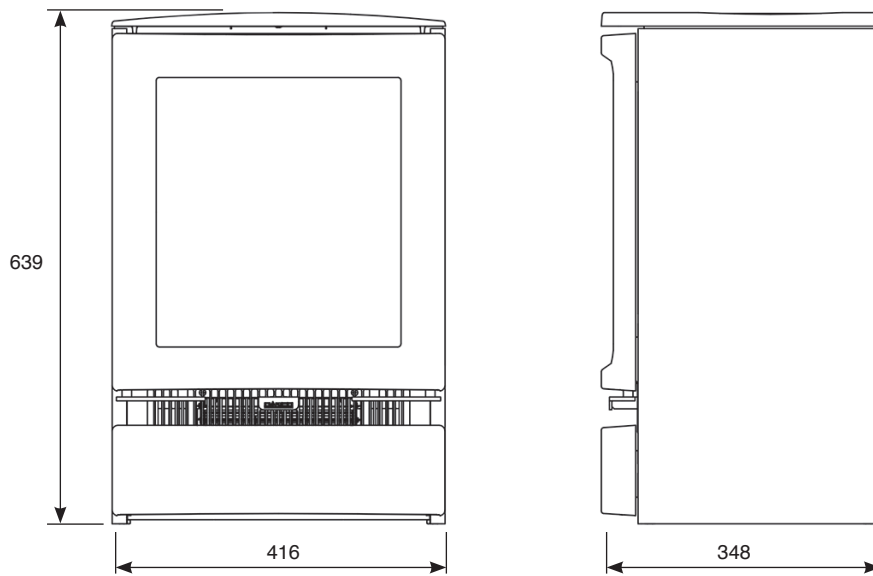
PT: É requerida uma alimentação a 230-240VCA 50Hz
Consumo máximo de energia:
É fornecido um cabo de 1,8 metros com.
2 x pilhas do controlo remoto (AAA).

GB: TECHNICAL SPECIFICATION
 FR: SPÉCIFICATIONS TECHNIQUES
 DE: TECHNISCHE DATEN
 NL: TECHNISCHE SPECIFICATIES
 IT: SPECIFICHE TECNICHE
 NO: TEKNISKE SPESIFIKASJONER
 ES: ESPECIFICACIÓN TÉCNICA

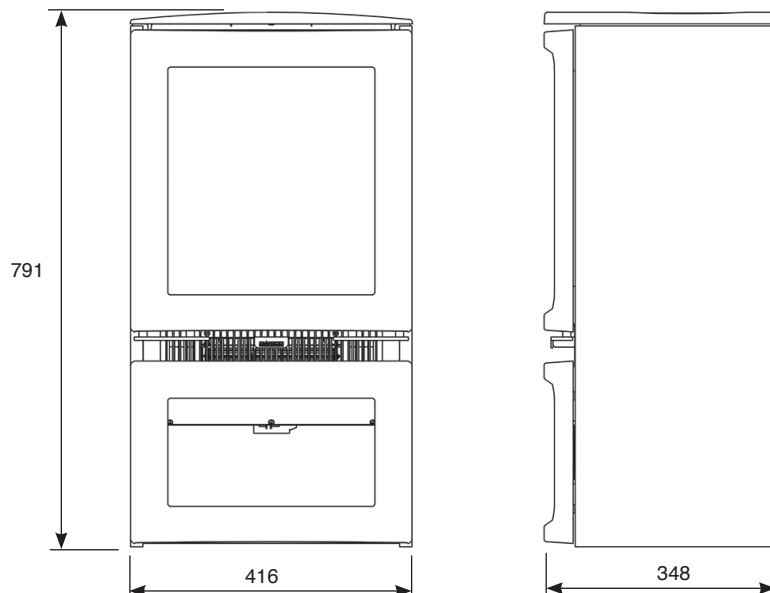
GR: ΤΕΧΝΙΚΗ ΠΕΡΙΓΡΑΦΗ
 IL: מפרט טכני
 LV: TEHNISKIE RĀDĪTĀJI
 RU: РАЗМЕРЫ
 LU: TECHNESCH DATEN
 PT: ESPECIFICAÇÕES TÉCNICAS

VOGUE MIDI	VOGUE MIDI MIDLINE
663-806	663-834

Vogue Midi



Vogue Midi Midline

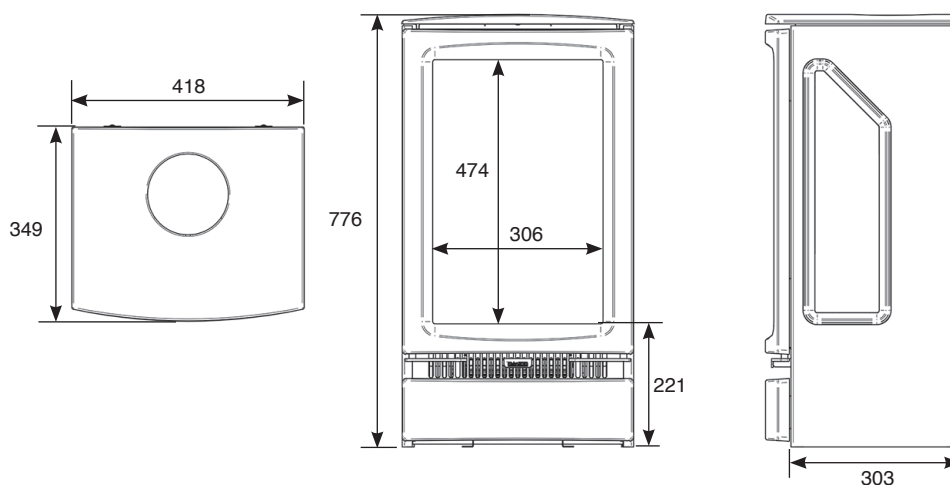


GB: TECHNICAL SPECIFICATION
 FR: SPÉCIFICATIONS TECHNIQUES
 DE: TECHNISCHE DATEN
 NL: TECHNISCHE SPECIFICATIES
 IT: SPECIFICHE TECNICHE
 NO: TEKNISKE SPESIFIKASJONER
 ES: ESPECIFICACIÓN TÉCNICA

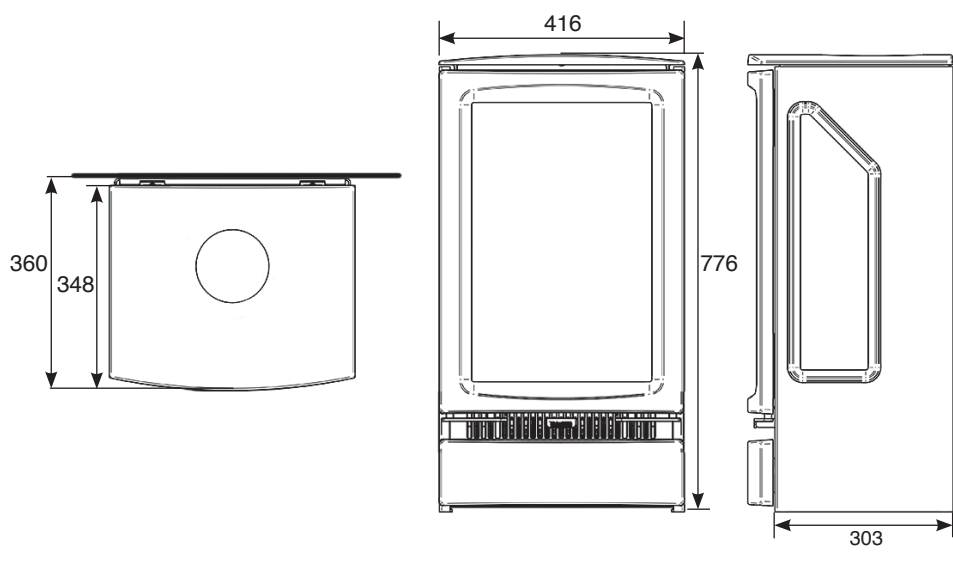
GR: ΤΕΧΝΙΚΗ ΠΕΡΙΓΡΑΦΗ
 IL: מפרט טכני
 LV: TEHNISKIE RĀDĪTĀJI
 RU: РАЗМЕРЫ
 LU: TECHNESCH DATEN
 PT: ESPECIFICAÇÕES TÉCNICAS

VOGUE MIDI T	VOGUE MIDI T WALL MOUNTED 3-SIDED
663-819	663-860

Vogue Midi T 3 Sided

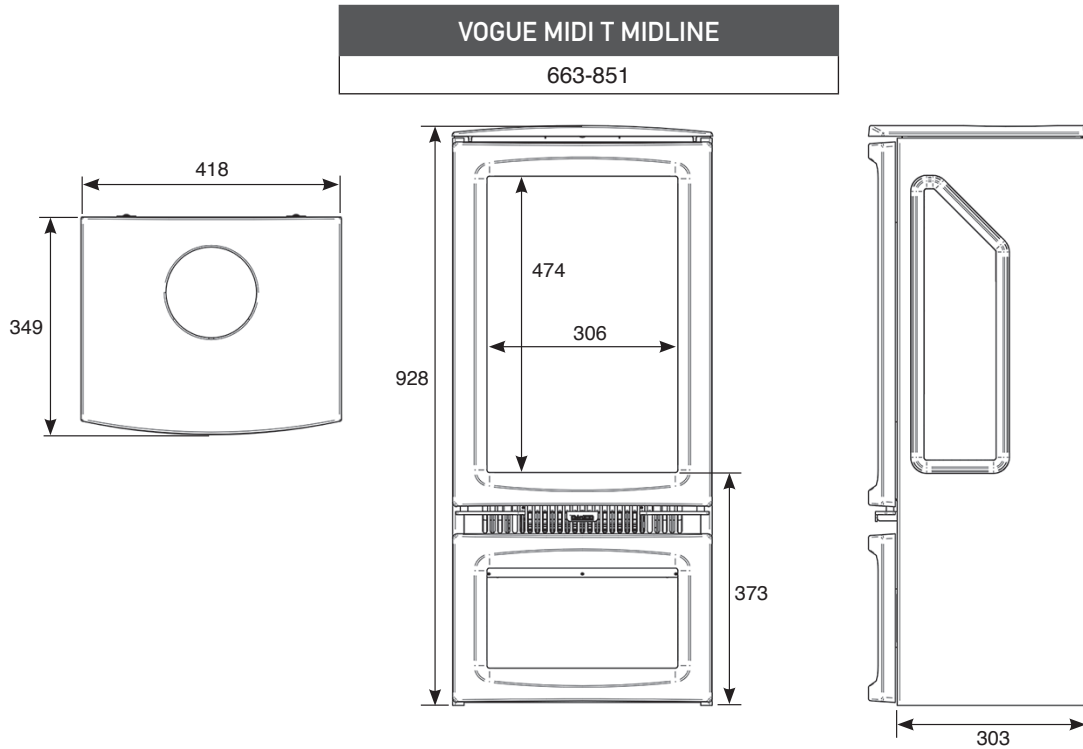


Vogue Midi T 3 Sided - Wall Mounted



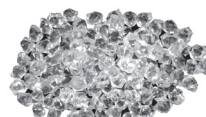
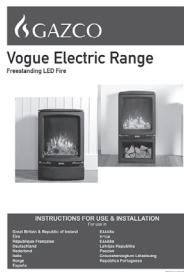
GB: TECHNICAL SPECIFICATION
 FR: SPÉCIFICATIONS TECHNIQUES
 DE: TECHNISCHE DATEN
 NL: TECHNISCHE SPECIFICATIES
 IT: SPECIFICHE TECNICHE
 NO: TEKNISKE SPESIFIKASJONER
 ES: ESPECIFICACIÓN TÉCNICA

GR: ΤΕΧΝΙΚΗ ΠΕΡΙΓΡΑΦΗ
 IL: מפרט טכני
 LV: TEHNISKIE RĀDĪTĀJI
 RU: РАЗМЕРЫ
 LU: TECHNESCH DATEN
 PT: ESPECIFICAÇÕES TÉCNICAS



GB: PACKING CHECKLIST
 FR: LISTE DE VÉRIFICATION DU CONDITIONNEMENT
 IT: ELENCO DI IMBALLAGGIO

ES: LISTADO DEL EMBALAJE
 PT: LISTA DE VERIFICAÇÃO DE EMBALAGEM



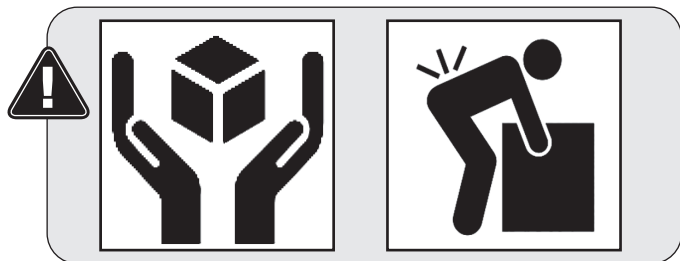
GB: FITTING THE APPLIANCE

FR: LISTE DE VÉRIFICATION DU CONDITIONNEMENT

IT: ELENCO DI IMBALLAGGIO

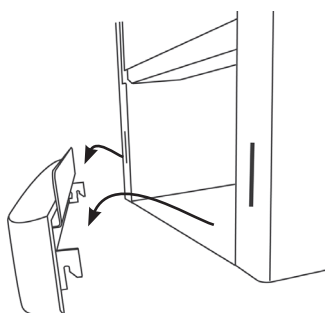
ES: LISTADO DEL EMBALAJE

PT: LISTA DE VERIFICAÇÃO DE EMBALAGEM



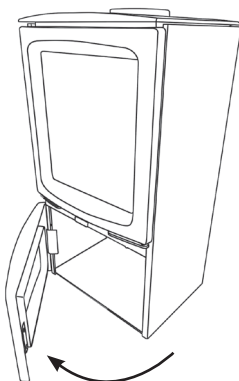
Vogue Midi/ Midi T

1a

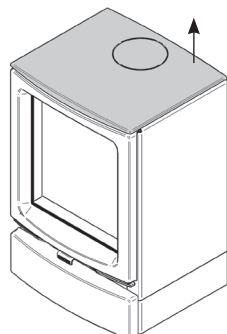


Vogue Midi Midline/ Highline

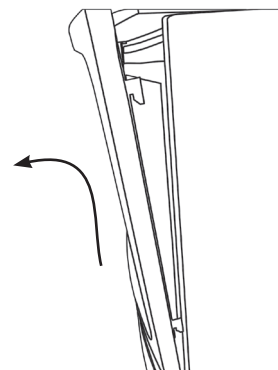
1b



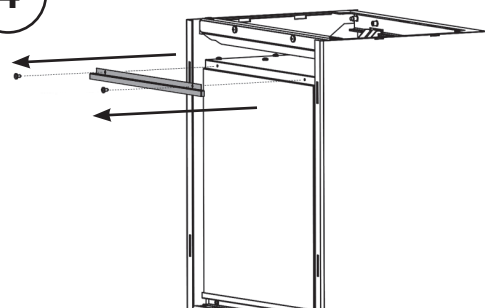
2



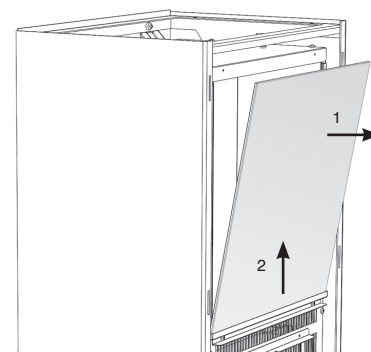
3



4



5



GB: HIGHLINE FREESTANDING BACK PANEL
 FR: PANNEAU ARRIÈRE AUTONOME HIGHLINE
 IT: PANNELLO POSTERIORE AUTOPORTANTE
 HIGHLINE

ES: PANEL TRASERO INDEPENDIENTE HIGHLINE
 PT: PAINEL TRASEIRO AUTÔNOMO HIGHLINE

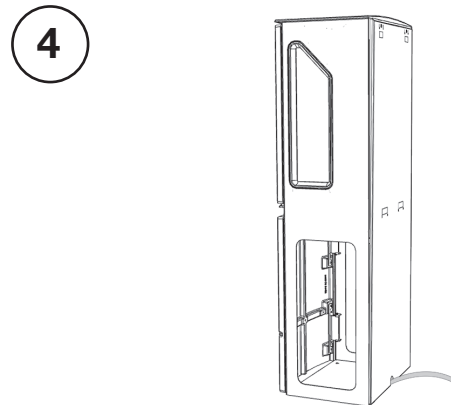
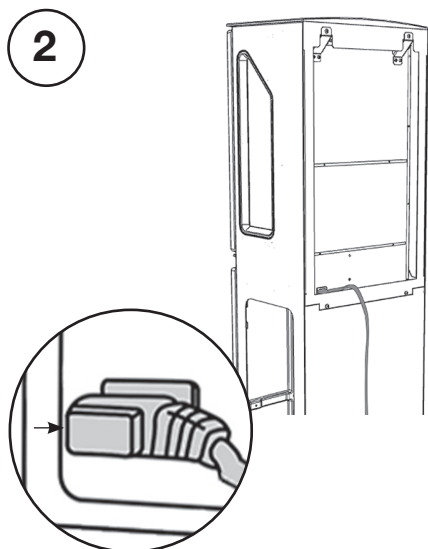
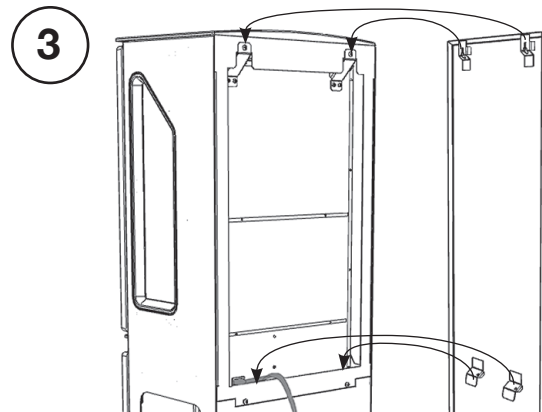
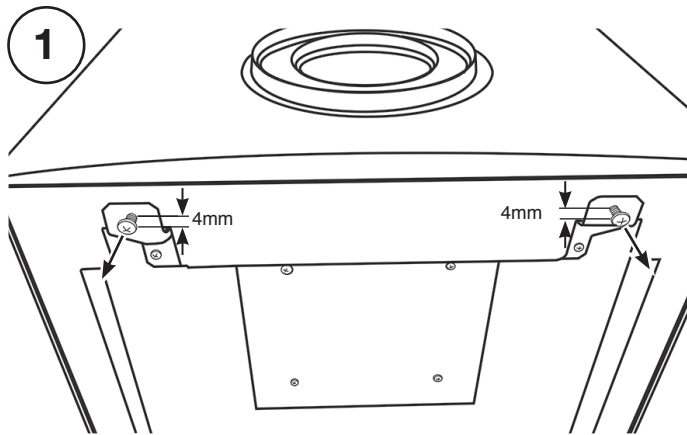
GB: The Vogue Highline can be supplied with an optional back panel to allow the appliance to be installed in a manner where it can be viewed from 360° without viewing the engine components. Consult your Gazco retailer for details.

FR: Le modèle Vogue Highline peut être fourni avec un panneau arrière optionnel permettant d'installer l'appareil de manière à ce qu'il puisse être vu sur 360° sans voir les composants du moteur. Consultez votre revendeur Gazco pour en savoir plus.

IT: Il Vogue Highline può essere fornito con un pannello posteriore opzionale per favorire l'installazione dell'apparecchio di modo che sia visibile a 360° senza vedere i componenti del motore. Consultare il proprio rivenditore Gazco per ulteriori dettagli.

ES: El Vogue Highline se puede suministrar con un panel posterior opcional para permitir que el aparato se instale de manera que pueda verse desde 360° sin ver los componentes del motor. Consulte a su distribuidor de Gazco para obtener más detalles.

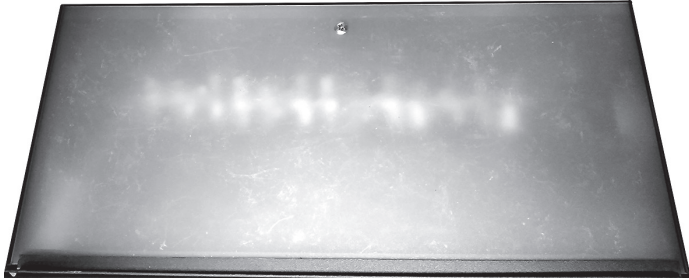
PT: O Vogue Highline pode ser fornecido com um painel traseiro opcional para permitir que o aparelho seja instalado de forma que possa ser visto de 360° sem visualizar os componentes do motor. Consulte o seu revendedor Gazco para obter detalhes.



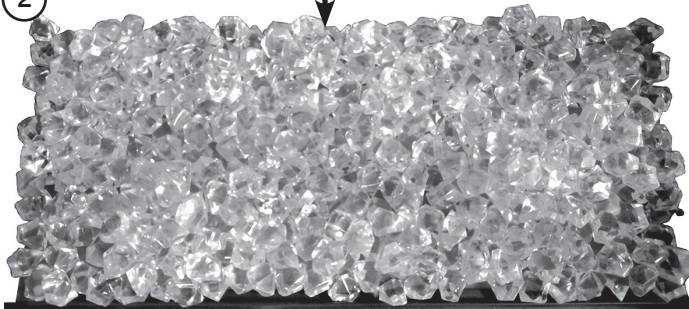
GB: FUEL EFFECT - CRYSTAL ICE GLASS EFFECT
 FR: EFFET COMBUSTIBLE - VITRE EFFET CRISTAUX
 DE GLACE
 IT: EFFETTO COMBUSTIBILE - EFFETTO CRISTALLO
 DI GHIACCIO

ES: LISTADO DEL EMBALAJE
 PT: LISTA DE VERIFICAÇÃO DE EMBALAGEM

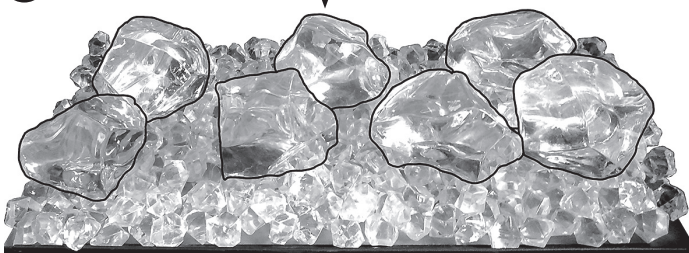
①



②



③



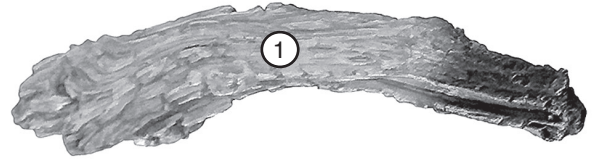
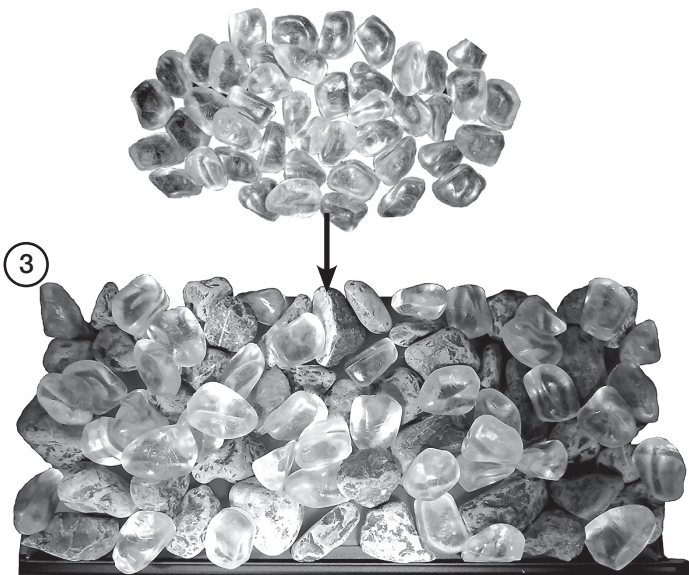
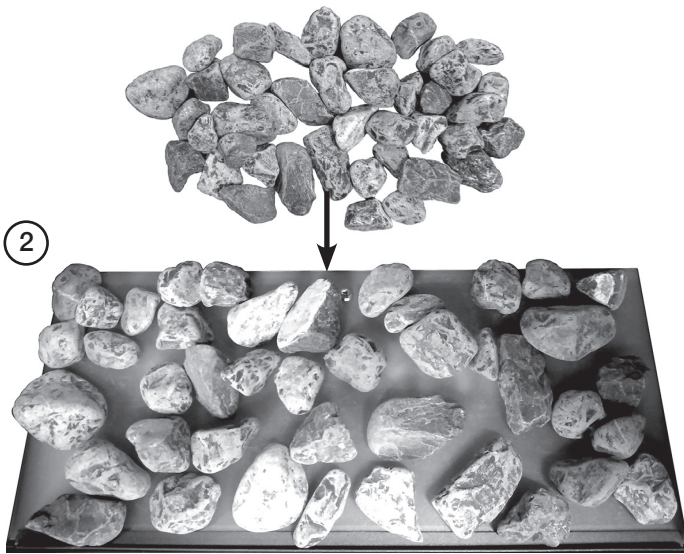
GB: FUEL EFFECT - LOG EFFECT

FR: EFFET COMBUSTIBLE - EFFET BÛCHES

IT: EFFETTO COMBUSTIBILE - EFFETTO LEGNA

ES: LISTADO DEL EMBALAJE

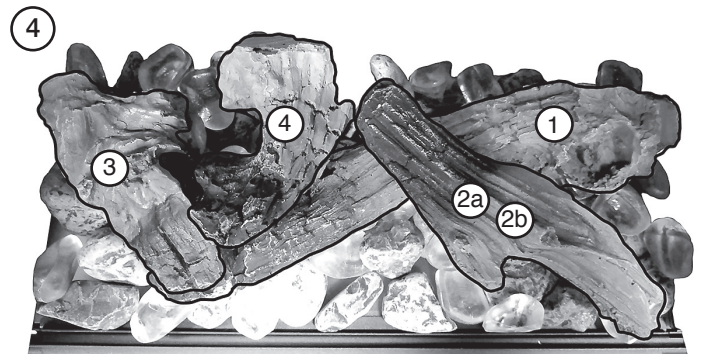
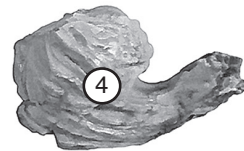
PT: LISTA DE VERIFICAÇÃO DE EMBALAGEM



Midi Models

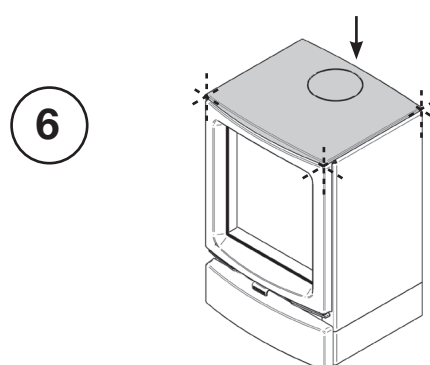
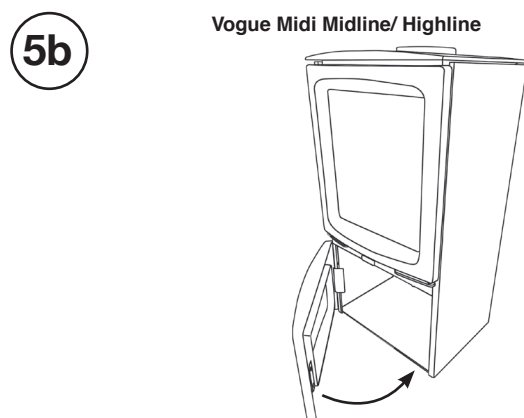
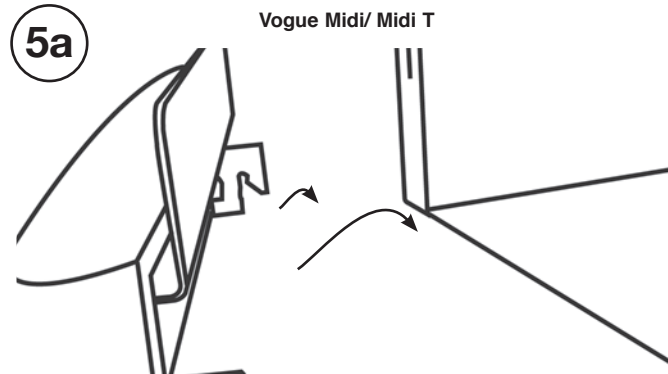
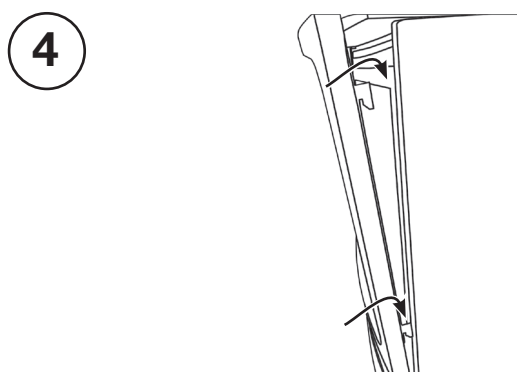
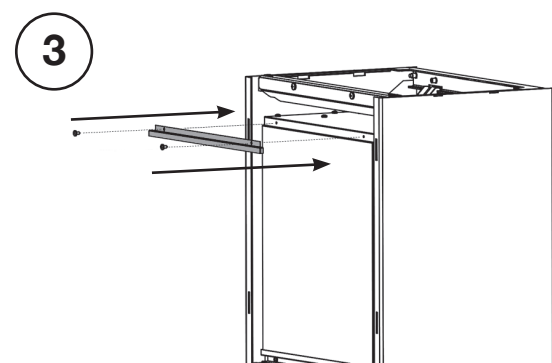
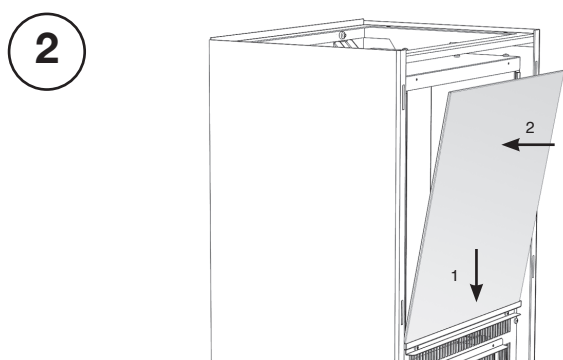
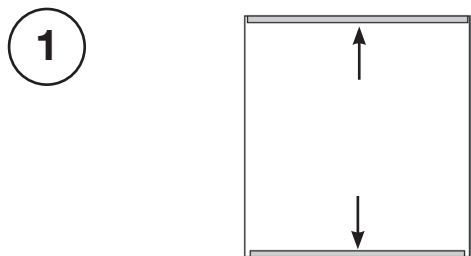


Midi T Models



GB: COMPLETION OF ASSEMBLY
 FR: FIN DE L'ASSEMBLAGE
 IT: COMPLETAMENTO DEL MONTAGGIO

ES: FINALIZACIÓN DEL MONTAJE
 PT: CONCLUSÃO DA MONTAGEM



GB: INFORMATION REQUIREMENT FOR ELECTRIC LOCAL SPACE HEATERS
FR: INFORMATIONS À FOURNIR POUR UN APPAREIL DE CHAUFFAGE ÉLECTRIQUE LOCALISÉ
IT: INFORMAZIONI OBBLIGATORIE PER GLI APPARECCHI PER IL RISCALDAMENTO D'AMBIENTE LOCALE ELETTRICI
ES: REQUISITOS DE INFORMACIÓN QUE DEBEN CUMPLIR LOS APARATOS DE CALEFACCIÓN LOCAL ELÉCTRICOS
PT: INFORMAÇÃO SOBRE REQUISITOS PARA AQUECEDORES ELÉTRICOS LOCAIS

Model Modèle Modell Modelo			Midi	Midi T
Heat Output Puissance calorifique Potenza termica Potencia calorífica Saída de calor	Nominal Heat Output Puissance calorifique nominale Potenza termica nominale Potencia calorífica nominal Saída Nominal de Calor	P_{nom}	1.5kW	1.5kW
	Minimum Heat Output Puissance calorifique minimale Potenza termica minima (indicativa) Potencia calorífica mínima (indicativa) Saída Mínima de Calor	P_{min}	0.75kW	0.75kW
	Maximum Continuous Heat Output Sortie de chauffage constante maximum Massima potenza termica continua A potencia calorífica nominal Saída Máxima de Calor Continuo	$P_{max, c}$	1.5kW	1.5kW

Auxiliary Electricity Consumption Consommation électrique auxiliaire Consumo auxiliar de energía eléctrica Consumo auxiliar de electricidad Consumo eléctrico auxiliar	At Nominal Heat Output À la puissance calorifique nominale Alla potenza termica nominale A potencia calorífica nominal Na saída nominal de calor	e_{lmax}	12.5W	12.5W
	At Minimum Heat Output À la puissance calorifique minimale Alla potenza termica minima A potencia calorífica mínima Na saída mínima de calor	e_{lmin}	12.0W	12.0W
	In Standby Mode En mode veille In modo stand-by En modo de espera Em modo Standby	$e_{l_{sb}}$	0.49W	0.49W

Type of heat input, for electric storage local space heaters only
Type d'apport de chaleur, uniquement pour les appareils de chauffage électriques localisés
Tipo di potenza termica, solo per gli apparecchi per il riscaldamento d'ambiente locale elettrici ad accumulo
Tipo de aportación de calor, únicamente para los aparatos de calefacción local eléctricos de acumulación
Tipo de entrada de calor, apenas para aquecedores de ambiente local de almacenamiento eléctrico

Manual heat charge control, with integrated thermostat Commande manuelle de charge de chaleur avec thermostat intégré Controllo manuale del carico termico, con termostato integrato Control manual de la carga de calor, con termostato integrado Controlo manual de carga de calor, com termóstato integrado	No Non No Não Não
Manual heat charge control with room and/or outdoor temperature feedback Commande manuelle de charge de chaleur avec retour de température de la pièce et/ou extérieure Controllo manuale del carico termico con riscontro della temperatura ambiente e/o esterna Control manual de la carga de calor con respuesta a la temperatura interior o exterior Controlo manual de carga de calor com feedback de temperatura ambiente e/ou exterior	No Non No Não Não
Electronic heat charge control with room and/or outdoor temperature feedback Commande électronique de charge de chaleur avec retour de température de la pièce et/ou extérieure Controllo elettronico del carico termico con riscontro della temperatura ambiente e/o esterna Control electrónico de la carga de calor con respuesta a la temperatura interior o exterior Controlo electrónico de carga de calor com feedback de temperatura ambiente e/ou exterior	No Non No Não Não
Fan assisted heat output Puissance calorifique assistée par ventilateur Potenza termica assistita da ventilatore Potencia calorífica asistida por ventiladores Saída de calor assistida por ventoinha	No Non No Não Não

TYPE OF HEAT OUTPUT/ROOM TEMPERATURE CONTROL
TYPE DE PUISSANCE CALORIFIQUE/RÉGLATION DE TEMPÉRATURE AMBIANTE
TIPO DI PÅOTENZA TERMICA/CONTROLLO DELLA TEMPERATURA AMBIENTE
TIPO DE CONTROL DE POTENCIA CALORÍFICA/DE TEMPERATURA INTERIOR
TIPO DE SAÍDA DE CALOR/CONTROLO DE TEMPERATURA DA DIVISÃO

Single stage heat output and no room temperature control Puissance calorifique de niveau unique, pas de régulation de la température ambiante Potenza termica a fase unica senza controllo della temperatura ambiente Potencia calorífica de un solo nivel, sin control de temperatura interior Saída de calor de estágio único e sem controlo de temperatura ambiente	No Non No Não Não
Two or more manual stages, no room temperature control Au moins deux niveaux manuels, pas de régulation de la température ambiante Due o più fasi manuali senza controllo della temperatura ambiente Dos o más niveles manuales, sin control de temperatura interior Dois ou mais estágios manuais, sem controlo de temperatura ambiente	No Non No Não Não
With mechanic thermostat room temperature control Avec régulation de la température ambiante par thermostat mécanique Con controllo della temperatura ambiente tramite termostato meccanico Com termostato mecânico de controlo de temperatura ambiente	No Non No Não
With electronic room temperature control Avec régulation électronique de la température ambiante Con controllo elettronico della temperatura ambiente Con control electrónico de temperatura interior Com termostato mecânico de controlo de temperatura ambiente	No Non No Não Não
Electronic room temperature control plus day timer Avec régulation électronique de la température ambiante plus minuteur jour Con controllo elettronico della temperatura ambiente e temporizzatore giornaliero Control electrónico de temperatura interior y temporizador diario Controle eletrônico de temperatura ambiente mais temporizador diurno	No Non No Não Não
Electronic room temperature control plus week timer Avec régulation électronique de la température ambiante plus minuteur semaine Con controllo elettronico della temperatura ambiente e temporizzatore settimanale Control electrónico de temperatura interior y temporizador semanal Controle eletrônico de temperatura ambiente mais temporizador semanal	Yes Oui Sì Sim Sim

OTHER CONTROL OPTIONS
AUTRES OPTIONS DE COMMANDE
ALTRE OPZIONI DI CONTROLLO
OTRAS OPCIONES DE CONTROL
OUTRAS OPÇÕES DE CONTROLO

Room temperature control, with presence detection Régulation de la température ambiante, avec détection de présence Controllo della temperatura ambiente con rilevamento di presenza Control de temperatura interior con detección de presencia Controlo de temperatura ambiente, com deteção de presença	No Non No Não Não
Room temperature control, with open window detection Régulation de la température ambiante, avec détection de fenêtre ouverte Controllo della temperatura ambiente con rilevamento di finestre aperte Control de temperatura interior con detección de ventanas abiertas Controlo de temperatura ambiente, com deteção de janela aberta	Yes Oui Sì Sim Sim
With distance control option Avec option de commande à distance Con opzione di controllo a distanza Con opción de control a distancia Com opção de controlo de distância	No Non No Não Não
With adaptive start control Avec commande de mise en route adaptive Con controllo di avviamento adattabile Con control de puesta en marcha adaptable Com controlo de arranque adaptável	Yes Oui Sì Sim Sim
With working time limitation Avec restriction de durée d'utilisation Con limitazione del tempo di funzionamento Con limitación de tiempo de funcionamiento Com limitação de tempo de operação	No Non No Não Não
With black bulb sensor Avec capteur bulbe noir Con termometro a globo nero Con sensor de lâmpara negra Com sensor de lâmpada preta	No Non No Não Não

FOR ENQUIRIES IN THE U.K (EXCLUDING NI):

Gazco Ltd, Osprey Road, Sowton Industrial Estate, Exeter, Devon, England EX2 7JG

Tel: (01392) 261900 E-mail: info@gazco.com

FOR ENQUIRIES IN EUROPE (INCLUDING NI):

Stovax Heating Group (NI) Ltd (Comp reg NI675194), 40 Linenhall Street, Belfast, BT2

8BA DX 400 NR Belfast Tel: +44 (0)1392 261990 E-mail: northernireland@gazco.com

