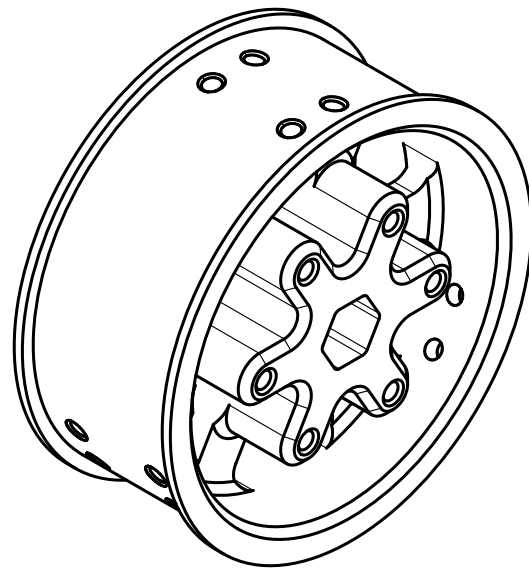


2

1

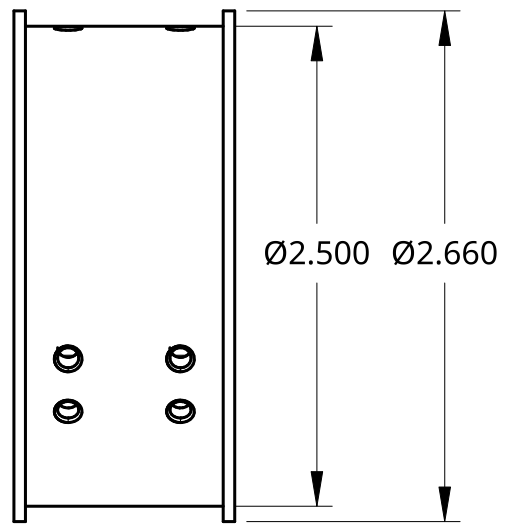
B

B

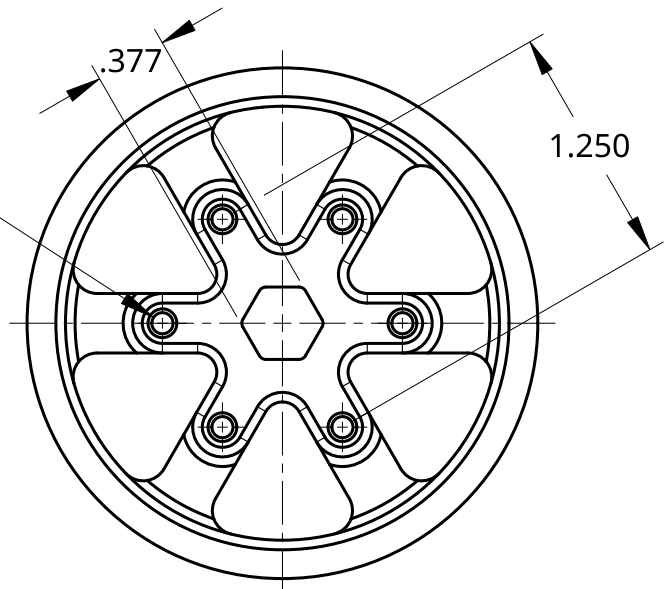


A

A



Ø.110
ALL HOLES
TAPPED 6-32



UNLESS OTHERWISE SPECIFIED,
DIMENSIONS ARE IN INCHES
.XX = ±.0-
.XXX = ±.00-
.XXXX = ±.000-
ANGULAR = ± °
FRACTIONAL = ±

SURFACE FINISH

DO NOT SCALE DRAWING

BREAK ALL SHARP EDGES AND REMOVE BURRS

THIRD ANGLE PROJECTION

APPROVED	X	DATE	12-13-23
MATERIAL		FINISH	
6061 AL		Anodized Black	

Title		3 Inch Live Axle Swerve Wheel			
SIZE	DWG NO.	TTB-S-012		REV	B
SCALE	1:1	WEIGHT	0.215 lbs	SHEET	1 of 1

2

1