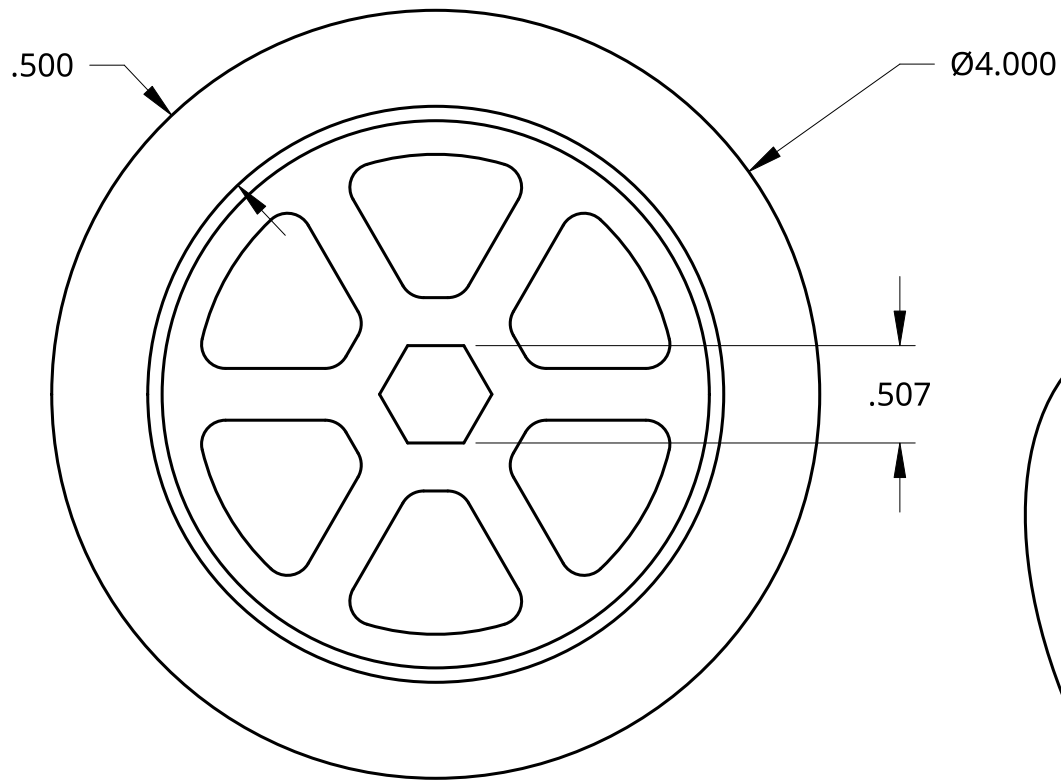
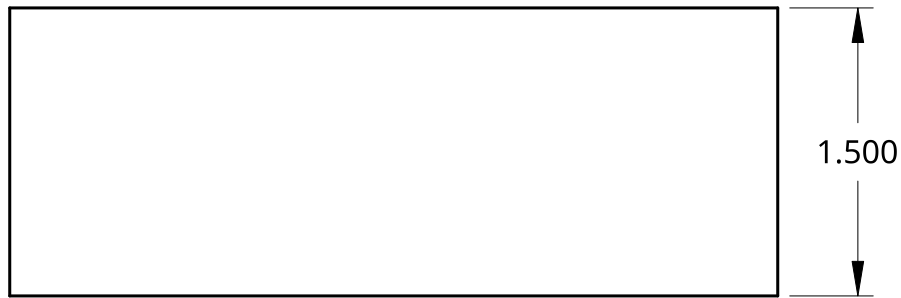
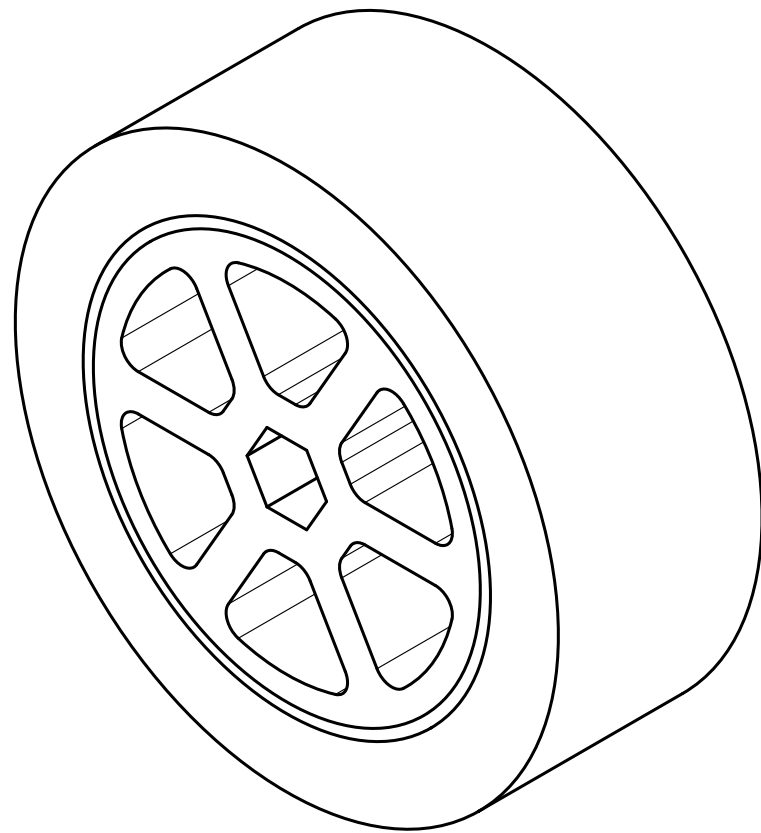


2

1



NOTE: Hex is a light press



UNLESS OTHERWISE SPECIFIED,
DIMENSIONS ARE IN INCHES
.XX = ±.0-
.XXX = ±.00-
.XXXX = ±.000-
ANGULAR = ± °
FRACTIONAL = ±

SURFACE FINISH

DO NOT SCALE DRAWING

BREAK ALL SHARP EDGES AND REMOVE BURRS

THIRD ANGLE PROJECTION

APPROVED	X	DATE	1-2-24
MATERIAL		FINISH	
45A TPE		None	

Title		4" Solid Urethane Wheel with 0.5" Hex		
SIZE	DWG. NO.	TTB-0106		
SCALE	WEIGHT	SHEET		
2:1	0.53 lbs	1 of 1		

2

1

B

B

A

A