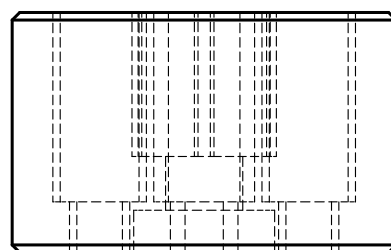
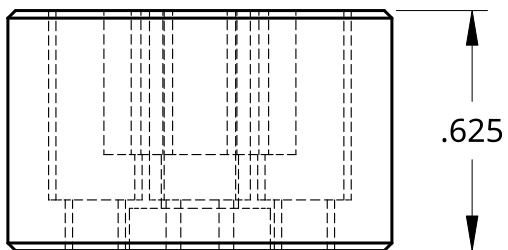
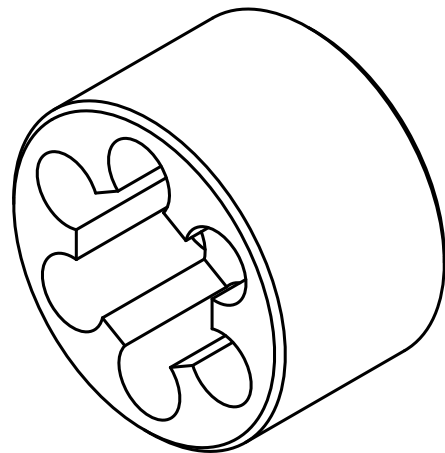
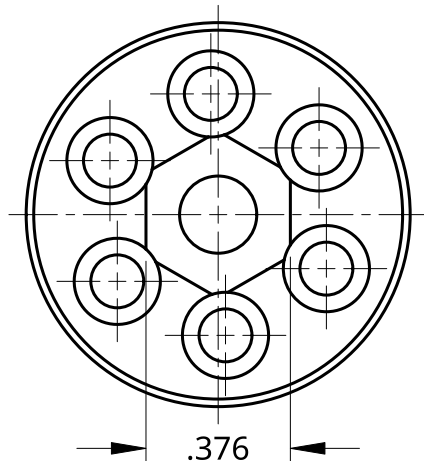
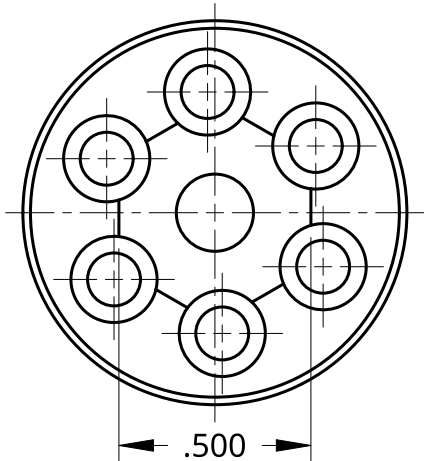
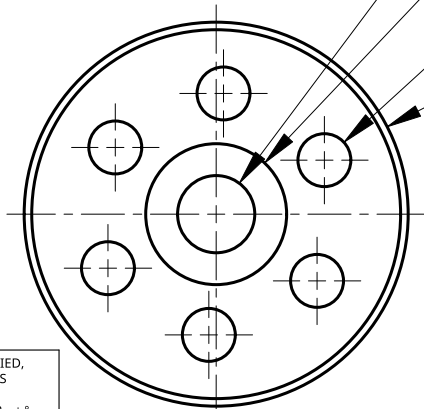
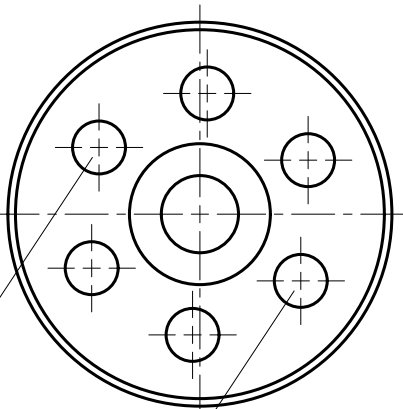


2

1



- Ø.201
- Ø.367
- Ø.138
- Ø1.000



UNLESS OTHERWISE SPECIFIED,
DIMENSIONS ARE IN INCHES
.XX = ±.0-
.XXX = ±.00-
.XXXX = ±.000-
ANGULAR = ± °
FRACTIONAL = ±

SURFACE FINISH

DO NOT SCALE DRAWING

BREAK ALL SHARP EDGES AND REMOVE BURRS

THIRD ANGLE PROJECTION

APPROVED	X	DATE	1-2-24
MATERIAL		FINISH	
Aluminum		Anodized Black	

Title 0.375/0.5 Inch Hex Ouput Adapter

SIZE	DWG. NO.	REV.
A	TTB-0103/TTB-0104	A
SCALE	WEIGHT	SHEET
2:1	0.029 lbs	1 of 1

2

1

B

B

A

A