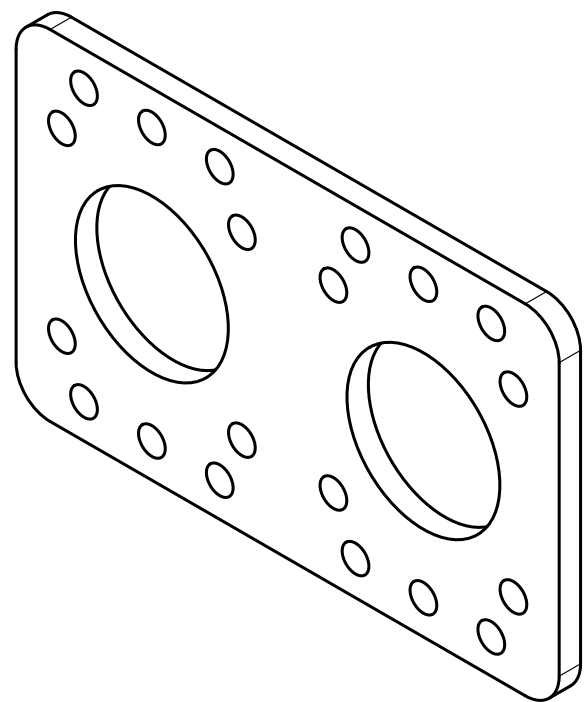
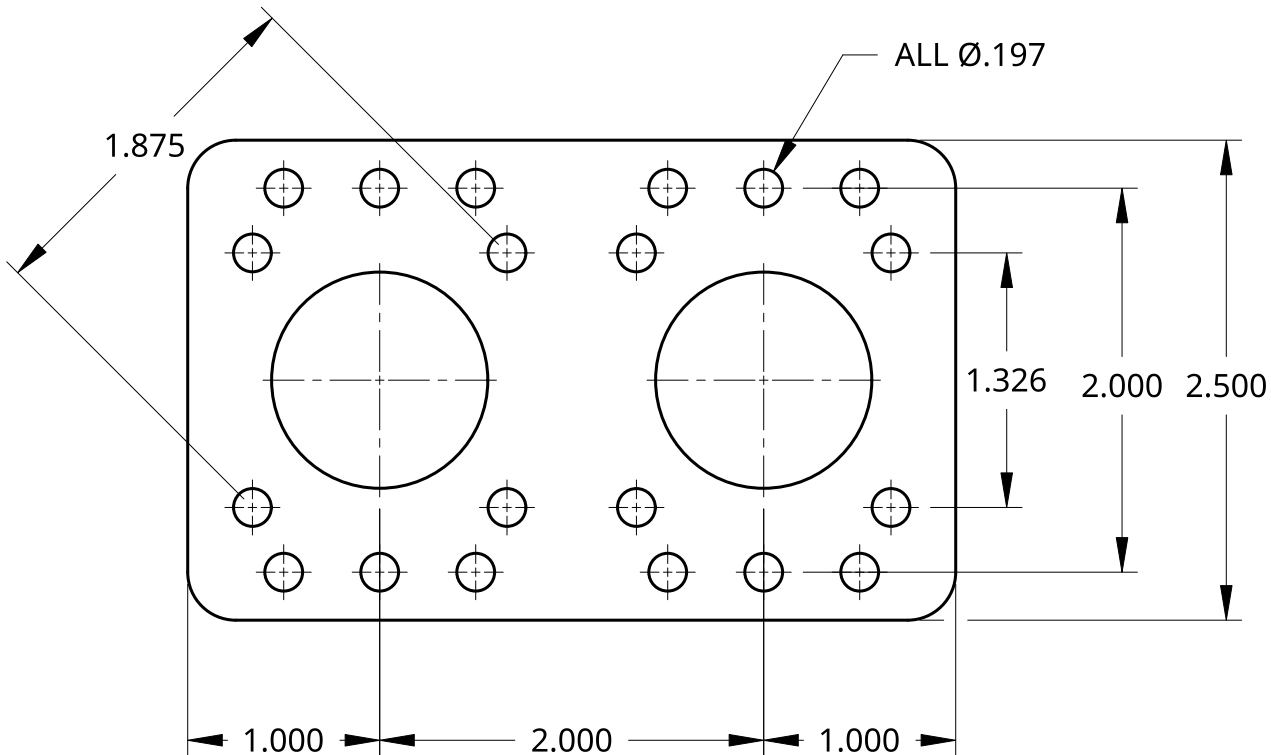


2

1

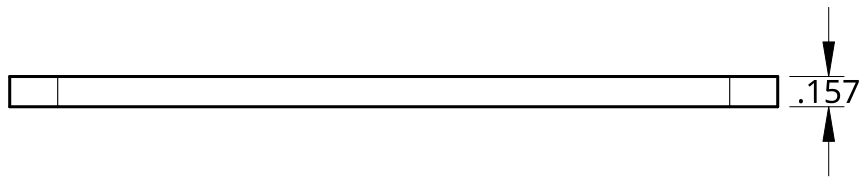
B

B



A

A



UNLESS OTHERWISE SPECIFIED,
DIMENSIONS ARE IN INCHES

.XX = ±.0-
.XXX = ±.00-
.XXXX = ±.000-
ANGULAR = ± °
FRACTIONAL = ±

SURFACE FINISH

DO NOT SCALE DRAWING

BREAK ALL SHARP EDGES AND
REMOVE BURRS

APPROVED	X	DATE	1-2-24
----------	---	------	--------

THIRD ANGLE PROJECTION



MATERIAL	FINISH
----------	--------

Aluminum	Anodized Black
----------	----------------

Title 2 Inch Vertical Mount Plate



SIZE	DWG NO.	REV.
A	TTB-0102	A

SCALE	WEIGHT	SHEET
1:1	0.125 lbs	1 of 1

2

1