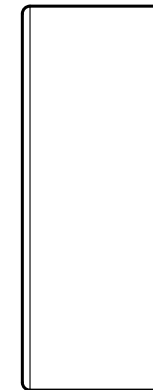
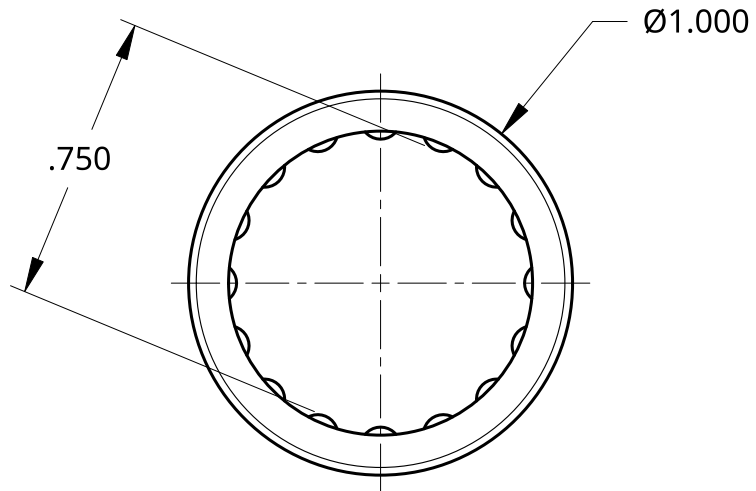
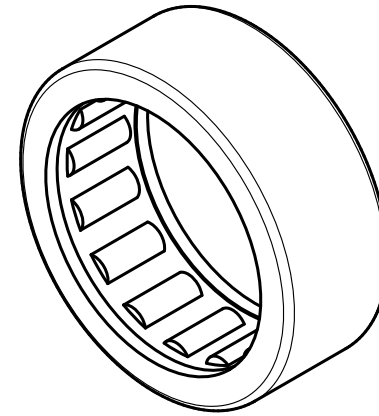
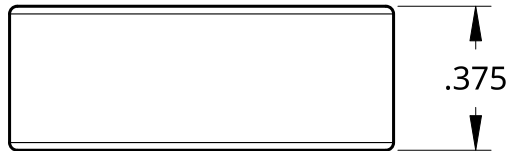


2

1



UNLESS OTHERWISE SPECIFIED,
DIMENSIONS ARE IN INCHES

.XX = ±.0-
.XXX = ±.00-
.XXXX = ±.000-

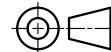
ANGULAR = ± °
FRACTIONAL = ±

SURFACE FINISH

DO NOT SCALE DRAWING

BREAK ALL SHARP EDGES AND
REMOVE BURRS

THIRD ANGLE PROJECTION



APPROVED

X

DATE

1-2-24

MATERIAL

Steel

FINISH

Brushed

Title		.75" ID x 1" OD x .5" WD Needle Roller Bearing		
SIZE	DWG NO.	TTB-0099		REV. A
SCALE	WEIGHT	SHEET		1 of 1
2:1	0.05 lbs			

2

1

B

B

A

A