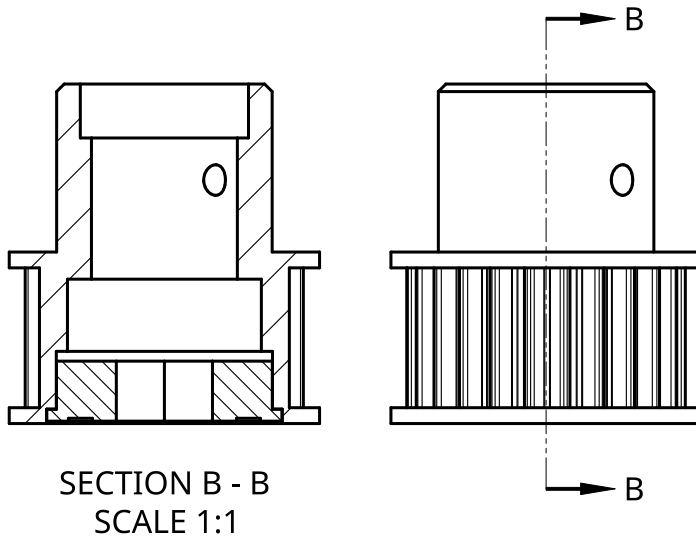


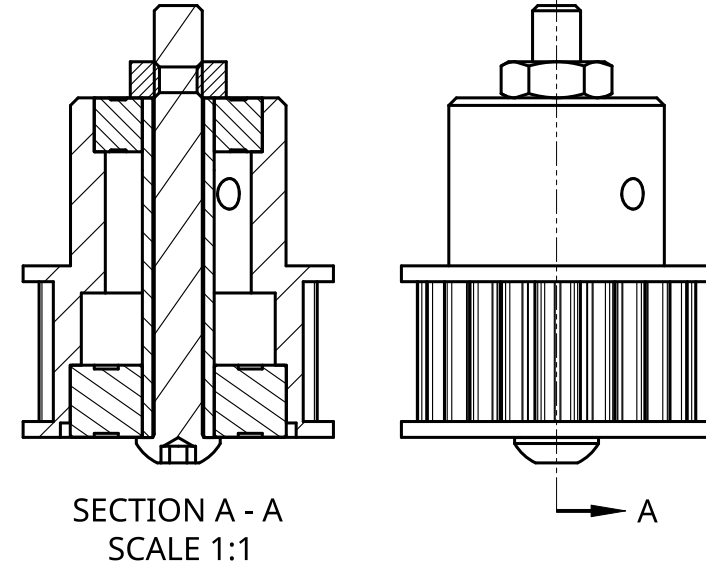
2

1

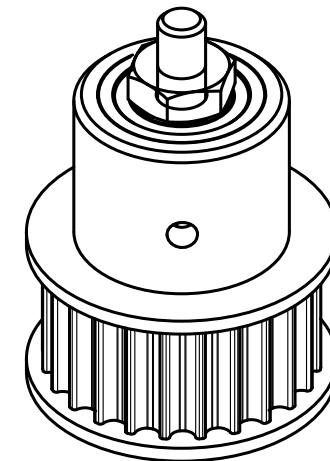
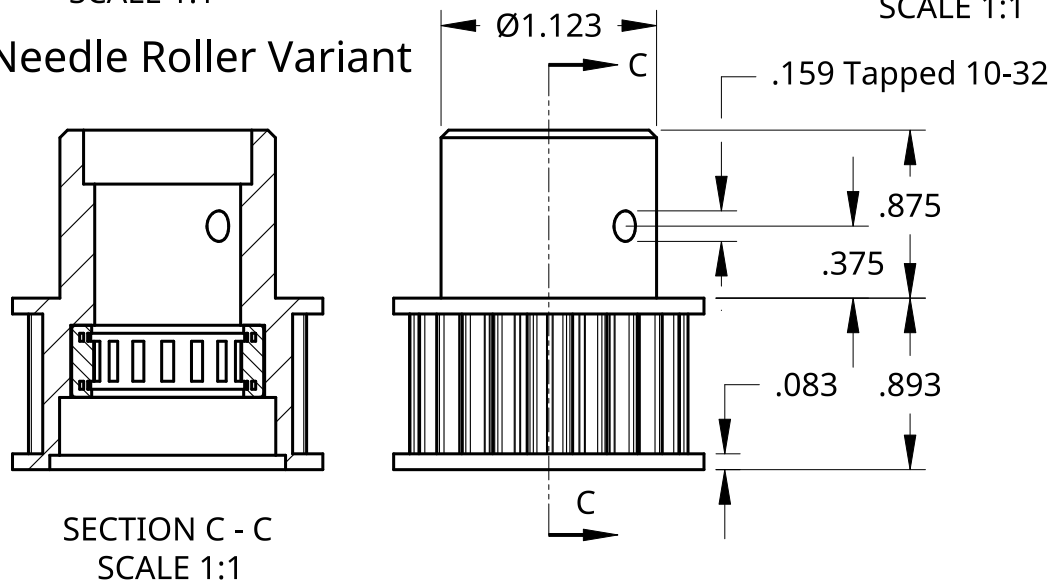
Hex Bearing Variant



Stub Shaft Variant



Needle Roller Variant



Title		Dead Axle Roller Kit				
SIZE	DWG NO.	TTB-0098		REV.	A	
SCALE	1:1	WEIGHT	0.2 lb	SHEET	1 of 1	

DO NOT SCALE DRAWING						
BREAK ALL SHARP EDGES AND REMOVE BURRS						
APPROVED	X	DATE	12-21-23			
THIRD ANGLE PROJECTION		MATERIAL	FINISH			
		6061 T6 Aluminum	Anodized Black			

2

1

B

B

A

A