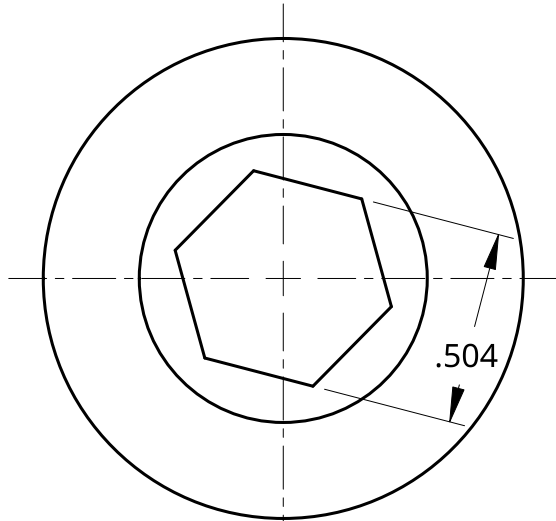
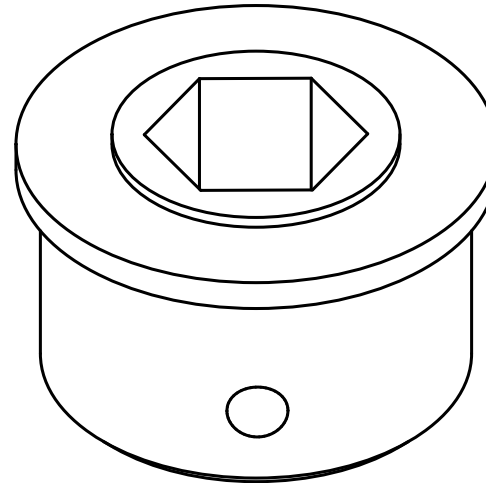


2

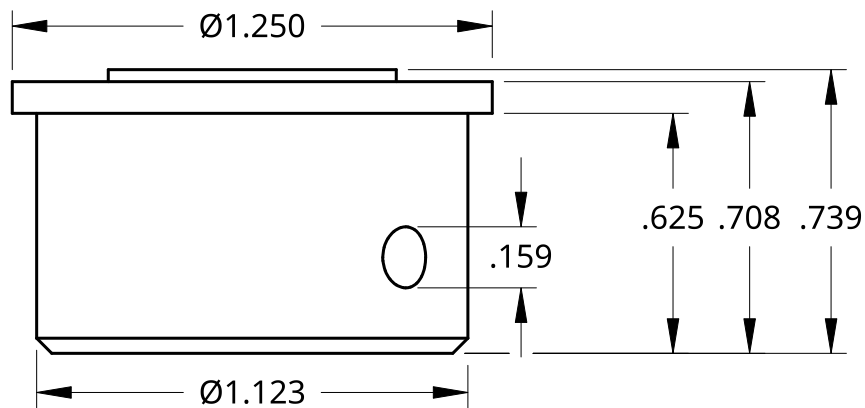
1



SCALE 2:1



SCALE 2:1

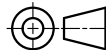


SCALE 2:1

DO NOT SCALE DRAWING

BREAK ALL SHARP EDGES AND REMOVE BURRS

THIRD ANGLE PROJECTION



APPROVED	X	DATE	12-21-23
----------	---	------	----------

MATERIAL	FINISH
----------	--------

Aluminum 6061	Anodized Black
---------------	----------------

Title **Live Axle Roller Kit** 

SIZE	DWG NO.	REV.
A	TTB-0097	A

SCALE	WEIGHT	SHEET
2:1	0.25 lb	1 of 1

2

1

B

B

A

A