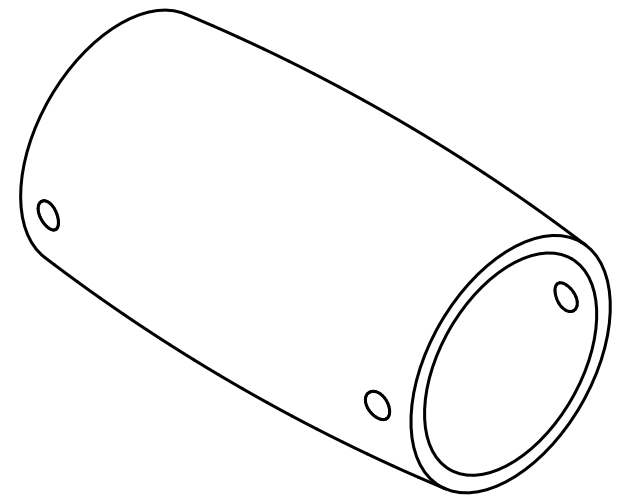


2

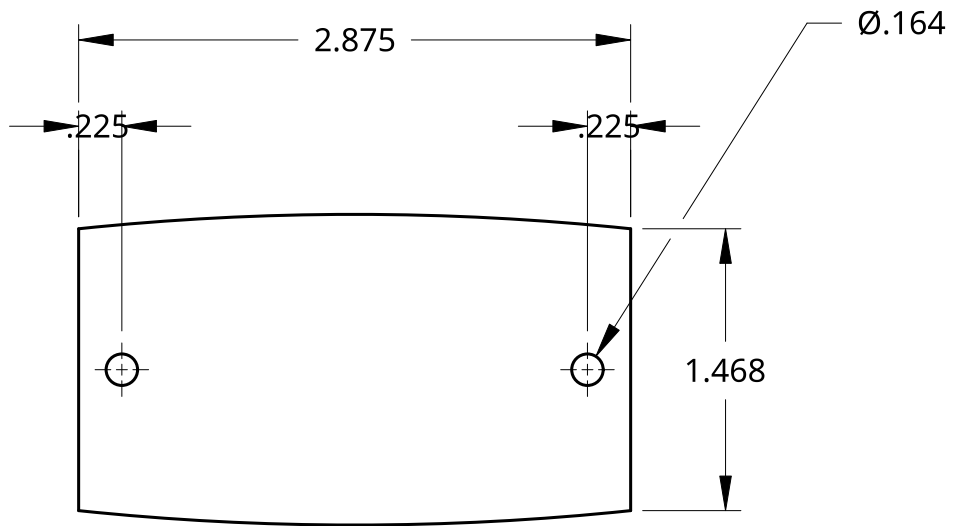
1

B

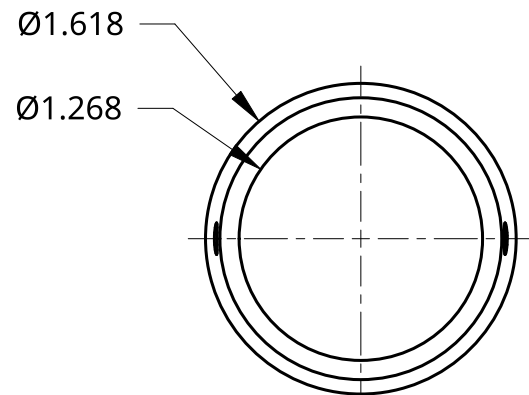
B



SCALE 1:1



SCALE 1:1



SCALE 1:1

A

A

2

1

DO NOT SCALE DRAWING				APPROVED	X	DATE	12-21-23
BREAK ALL SHARP EDGES AND REMOVE BURRS							
THIRD ANGLE PROJECTION		MATERIAL		FINISH			
		70A TPE		Black			

Title		Crown Roller Kit			
SIZE	DWG NO.	REV.			
A	TTB-0096	A			
SCALE	WEIGHT	SHEET			
1:1	0.04 lb	1 of 1			