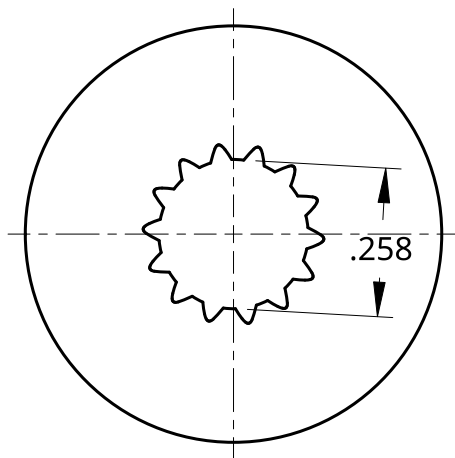
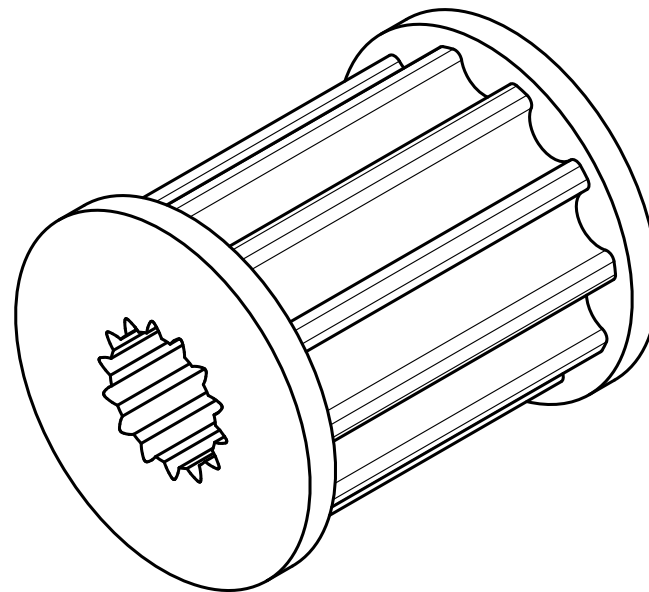
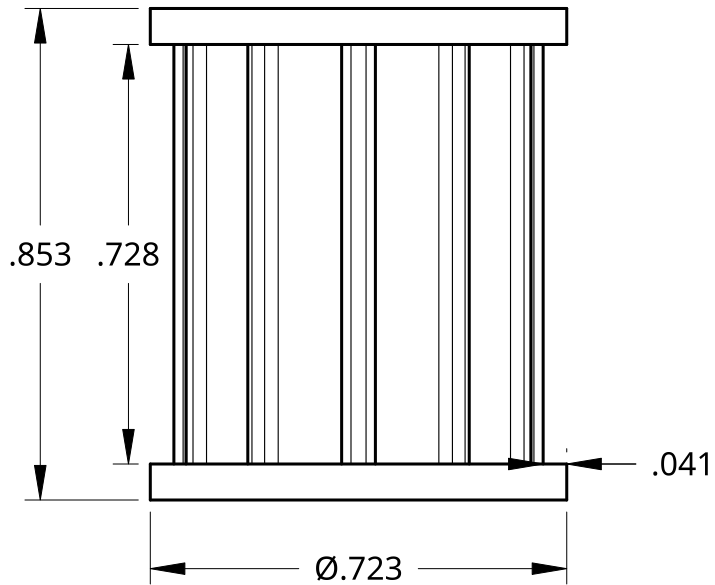


2

1



UNLESS OTHERWISE SPECIFIED,
DIMENSIONS ARE IN INCHES

.XX = ±.0-
.XXX = ±.00-
.XXXX = ±.000-

ANGULAR = ± °
FRACTIONAL = ±

SURFACE FINISH

DO NOT SCALE DRAWING

BREAK ALL SHARP EDGES AND
REMOVE BURRS

APPROVED

X

DATE

12-13-23

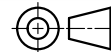
THIRD ANGLE PROJECTION

MATERIAL

6061 AL

FINISH

None



Title Spline Bore 11T Pulley



SIZE

A

DWG NO.

TTB-0062

REV.

A

SCALE 3:1

WEIGHT

0.016 lbs

SHEET

1 of 1

2

1

B

B

A

A