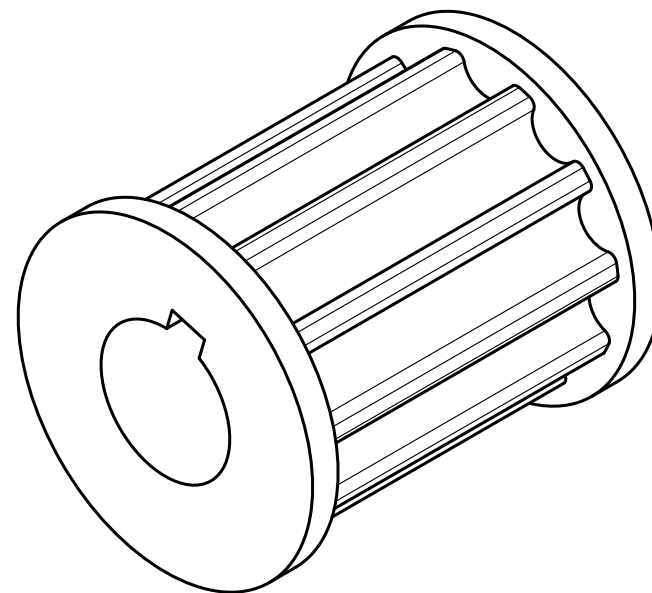
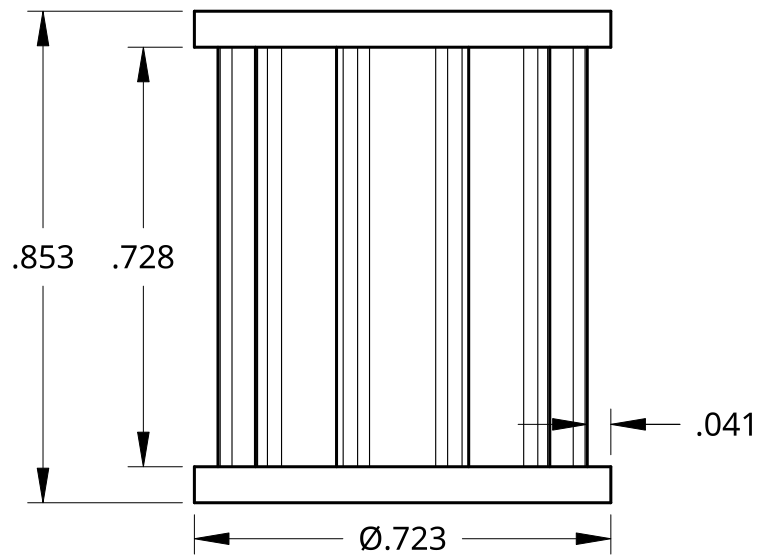


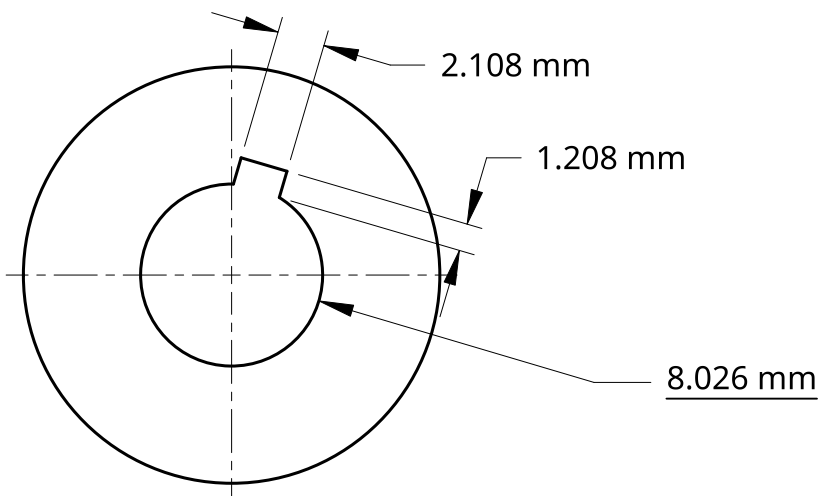
2

1

B



B



A

A

UNLESS OTHERWISE SPECIFIED, DIMENSIONS ARE IN INCHES

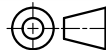
.XX = ±.0-  
.XXX = ±.00-  
.XXXX = ±.000-  
ANGULAR = ±°  
FRACTIONAL = ±

SURFACE FINISH

DO NOT SCALE DRAWING

BREAK ALL SHARP EDGES AND REMOVE BURRS

THIRD ANGLE PROJECTION



APPROVED

X

DATE

12-13-23

MATERIAL

6061 AL

FINISH

None

Title 8mm Keyed Bore 11T Pulley



SIZE

A

DWG NO.

TTB-0061

REV.

A

SCALE 3:1

WEIGHT

0.016 lbs

SHEET

1 of 1

2

1