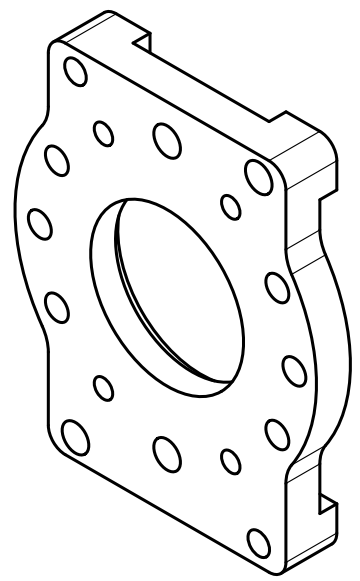
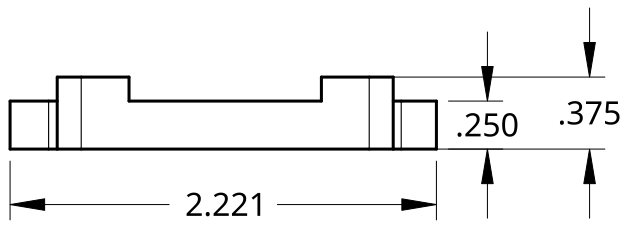


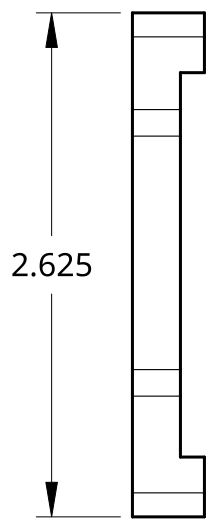
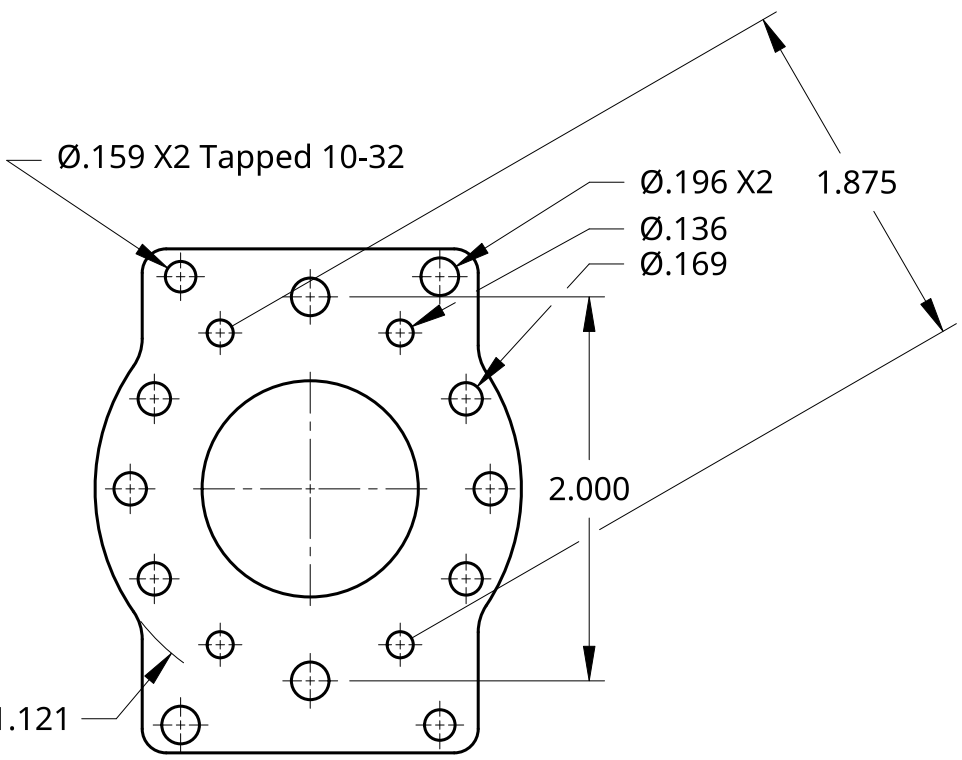
2

1



B

B

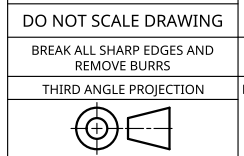


A

A

UNLESS OTHERWISE SPECIFIED,
DIMENSIONS ARE IN INCHES
.XX = ±.0-
.XXX = ±.00-
.XXXX = ±.000-
ANGULAR = ± °
FRACTIONAL = ±

SURFACE FINISH



APPROVED	X	DATE	1-4-24
MATERIAL		FINISH	
6061 Aluminum		Anodized Black	

Title		Thrifty Clamping BearingBlock			
SIZE	DWG. NO.	TTB-0031		REV.	A
SCALE	1:1	WEIGHT	0.081 lbs	SHEET	1 of 1

2

1