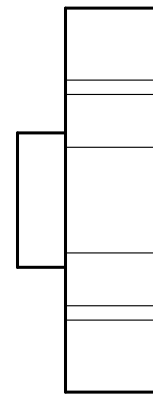
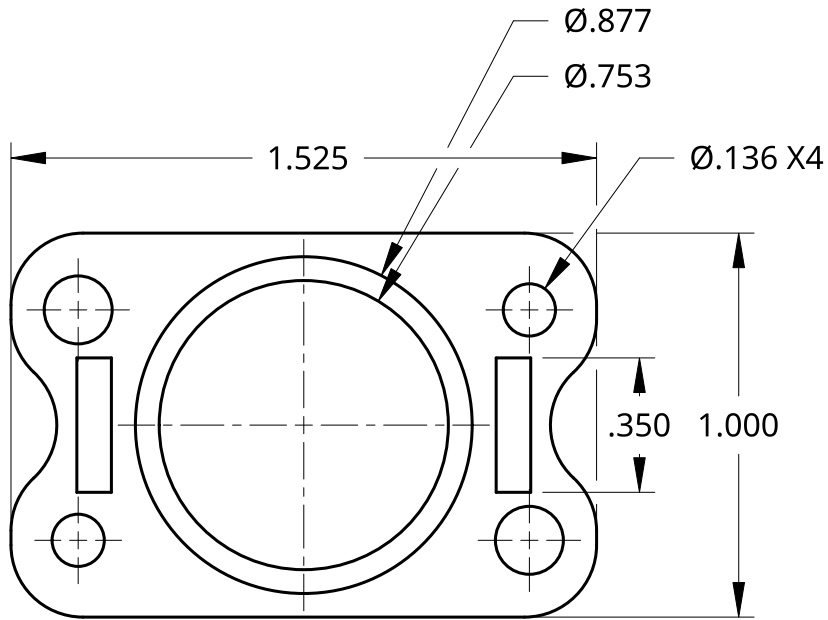
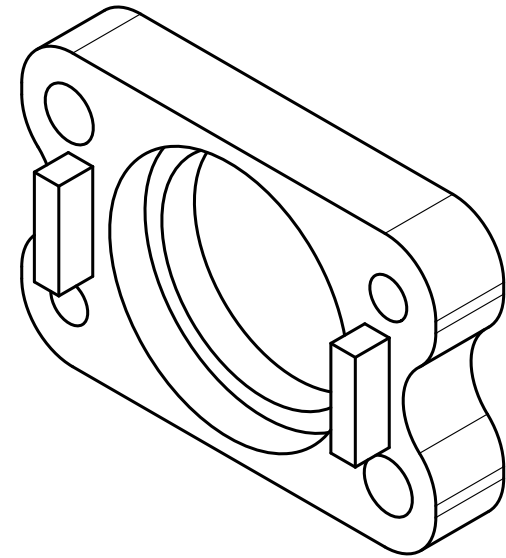
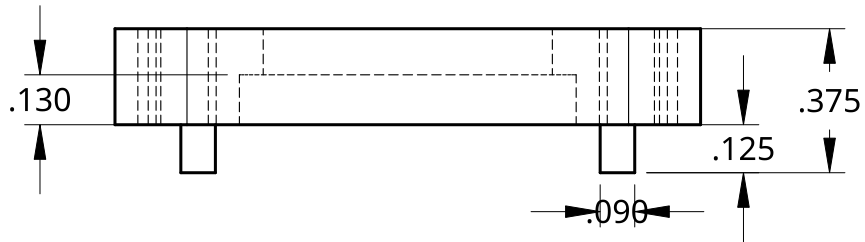


2

1



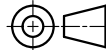
UNLESS OTHERWISE SPECIFIED,
DIMENSIONS ARE IN INCHES
.XX = ±.0-
.XXX = ±.00-
.XXXX = ±.000-
ANGULAR = ± °
FRACTIONAL = ±

SURFACE FINISH

DO NOT SCALE DRAWING

BREAK ALL SHARP EDGES AND REMOVE BURRS

THIRD ANGLE PROJECTION



APPROVED	X	DATE	1-4-24
----------	---	------	--------

MATERIAL	FINISH
6061 Aluminum	Anodized Black

Title Thrifty Clamping Bushing Block			
SIZE	DWG NO.	REV.	
A	TTB-0030	A	
SCALE	WEIGHT	SHEET	
2:1	0.072 lbs	1 of 1	

2

1

B

B

A

A