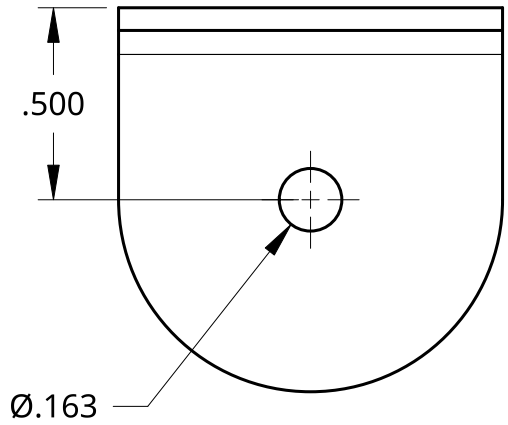
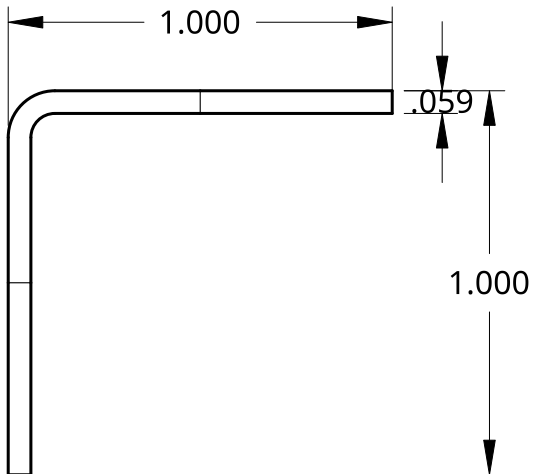
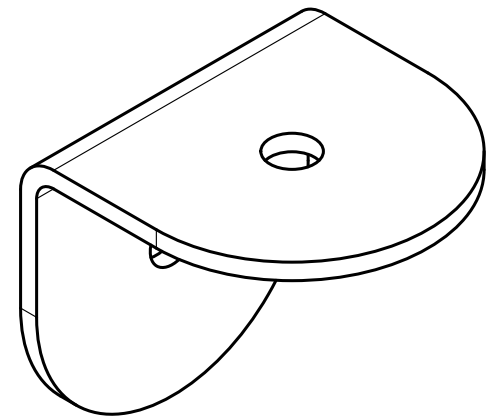
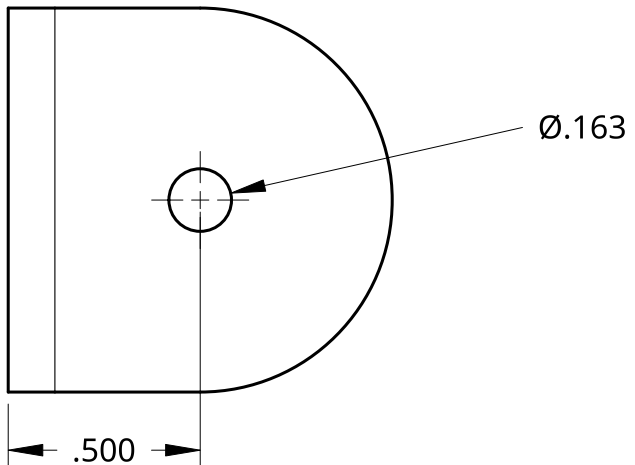


2

1



UNLESS OTHERWISE SPECIFIED,
DIMENSIONS ARE IN INCHES

.XX = ±.0- ANGULAR = ± °
.XXX = ±.00- FRACTIONAL = ±
.XXXX = ±.000-

SURFACE FINISH

DO NOT SCALE DRAWING

BREAK ALL SHARP EDGES AND REMOVE BURRS

THIRD ANGLE PROJECTION

APPROVED	X	DATE	12-31-23
MATERIAL		FINISH	
5052 AL		None	

Title		Light Duty 90 Degree Bracket			
SIZE	DWG NO.	TTB-0019		REV.	A
SCALE	WEIGHT	SHEET		1 of 1	
2:1	0.009 lbs				

B

B

A

A

2

1