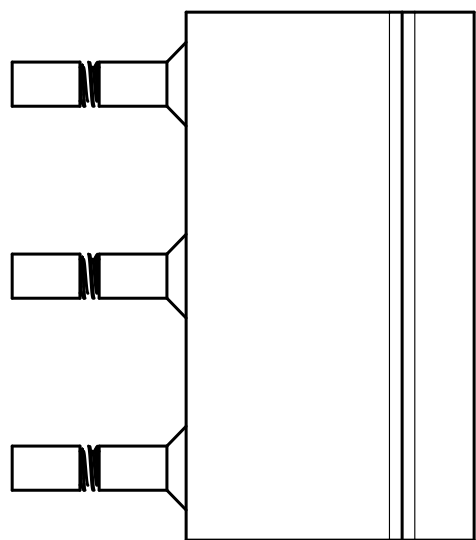
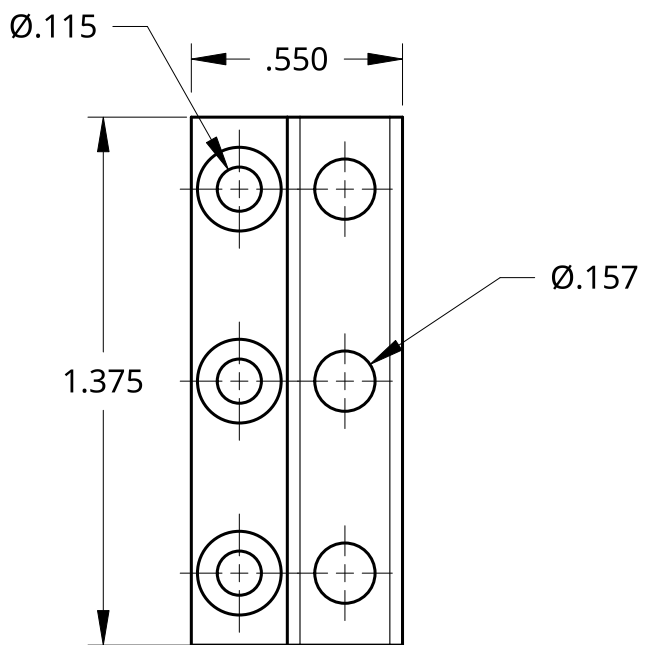
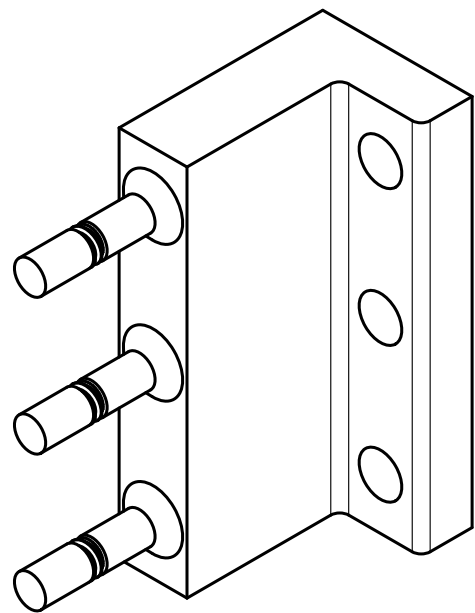
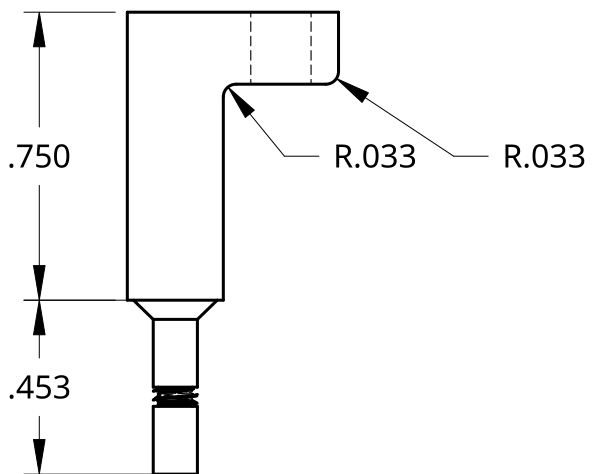


2

1



UNLESS OTHERWISE SPECIFIED,
DIMENSIONS ARE IN INCHES
.XX = ±.0-
.XXX = ±.00-
.XXXX = ±.000-
ANGULAR = ± °
FRACTIONAL = ±

SURFACE FINISH

DO NOT SCALE DRAWING
BREAK ALL SHARP EDGES AND REMOVE BURRS
THIRD ANGLE PROJECTION

APPROVED	X	DATE	12-13-23
MATERIAL		FINISH	
1045 Steel		None	

Title		25 Chain Attachment Block		
SIZE	DWG. NO.	ELEV-DRIVE-001		
SCALE	WEIGHT	SHEET	1 of 1	
2:1	0.250 lbs			

2

1

B

B

A

A