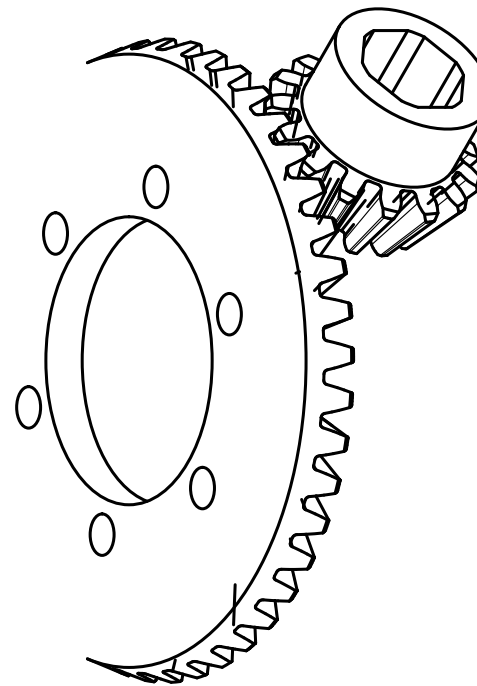
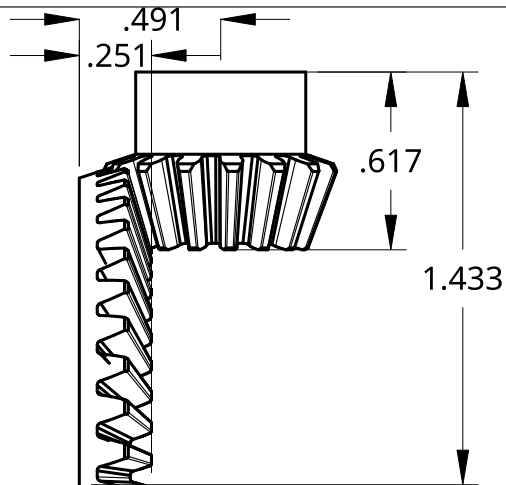


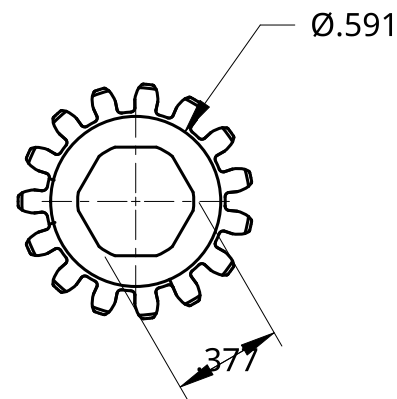
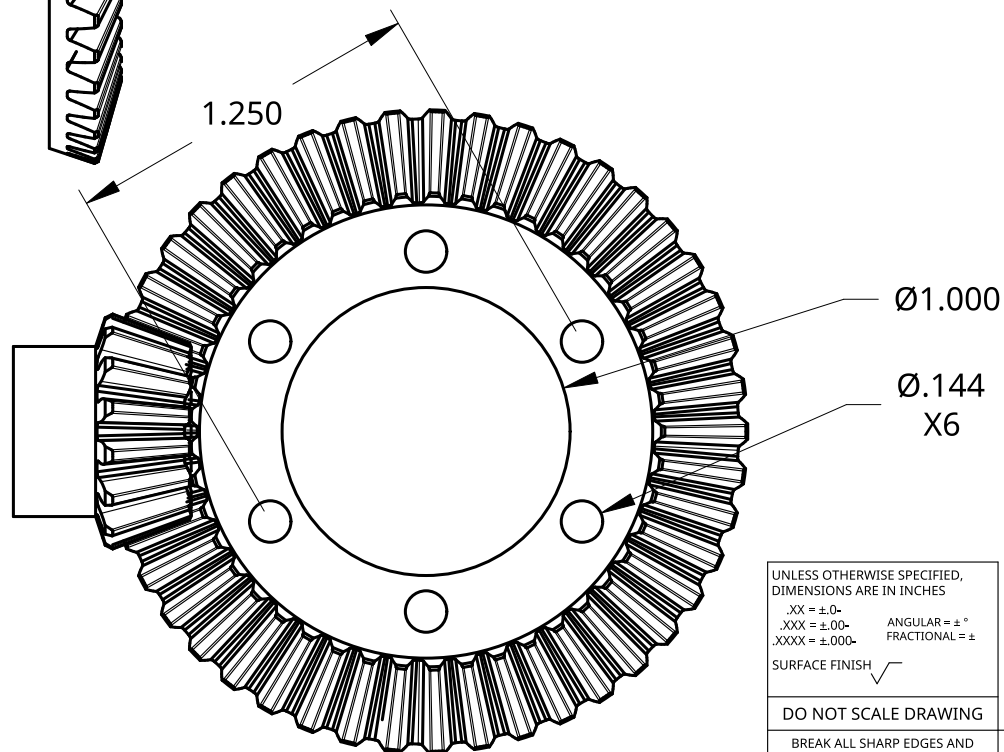
2

1



B

B



A

A

UNLESS OTHERWISE SPECIFIED,
DIMENSIONS ARE IN INCHES
.XX = ±.0-
.XXX = ±.00-
.XXXX = ±.000-
ANGULAR = ± °
FRACTIONAL = ±

SURFACE FINISH

DO NOT SCALE DRAWING

BREAK ALL SHARP EDGES AND REMOVE BURRS

APPROVED	X	DATE	12-13-23
----------	---	------	----------

THIRD ANGLE PROJECTION

MATERIAL	FINISH
1045 Steel	Hardened S45C



Title		15T and 45T Bevel Pair 1.25 MOD			
SIZE	DWG NO.	TTB-S-15 and TTB-S-16		REV	B
SCALE	WEIGHT	SHEET		1 of 1	
1.5:1	0.170 lbs				

2

1