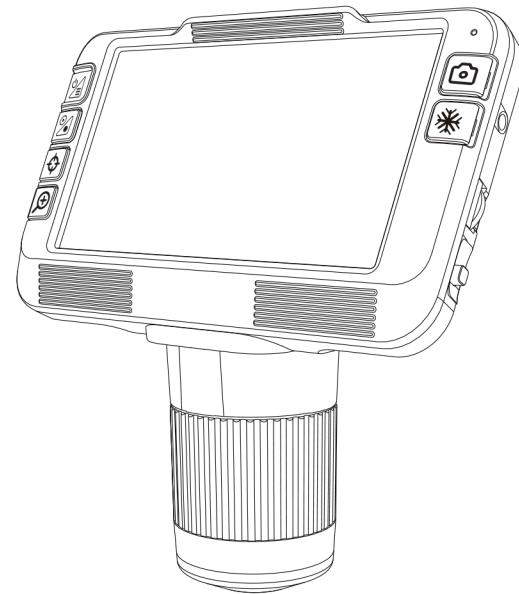


# Mighty Scope ClearVue

LCD Screen Digital Microscope



User's Guide

### FCC WARNING

#### Federal Communication Commission Interference Statement

This equipment has been tested and found to comply with the limits for a Class B digital device, pursuant to Part 15 of the FCC Rules. These limits are designed to provide reasonable protection against harmful interference in a residential installation. This equipment generates, uses and can radiate radio frequency energy and, if not installed and used in accordance with the instructions, may cause harmful interference to radio communications. However, there is no guarantee that interference will not occur in a particular installation. If this equipment does cause harmful interference to radio or television reception, which can be determined by turning the equipment off and on, the user is encouraged to try to correct the interference by one or more of the following measures:

- Reorient or relocate the receiving antenna.
- Increase the separation between the equipment and receiver.
- Connect the equipment into an outlet on a circuit different from that to which the receiver is connected.
- Consult the dealer or an experienced radio/TV technician for help.

FCC Caution: Any changes or modifications not expressly approved by the party responsible for compliance could void the user's authority to operate this equipment.

This device complies with Part 15 of the FCC Rules. Operation is subject to the following two conditions: (1) This device may not cause harmful interference, and (2) this device must accept any interference received, including interference that may cause undesired operation.

This device and its antenna(s) must not be co-located or operating in conjunction with any other antenna or transmitter.

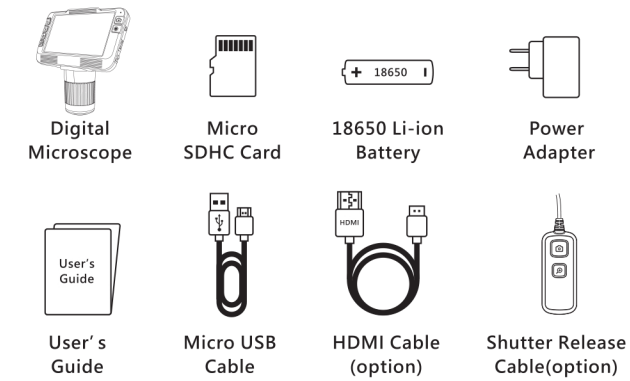


aventools.com | sales@aventools.com | 734.973.0099  
4330 Varsity Drive Ann Arbor, MI 48108

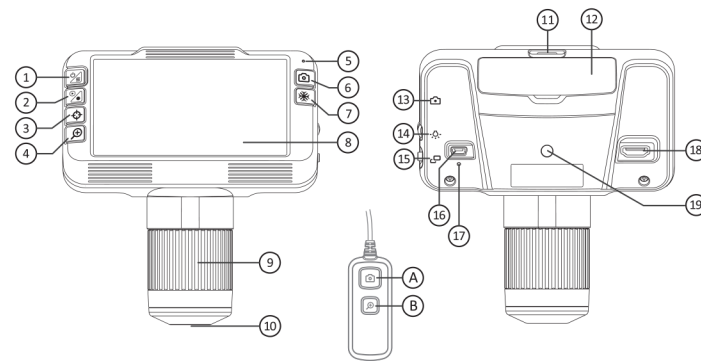
## 1 Product Introduction

### 1.1 Package Contents

The package contains the following items. In case there is any missing or damaged item, contact your dealer immediately.



### 1.2 Product Overview



-1-

1 Power & Menu button	8 Screen	15 Monitor switch
2 Record & Video Playback button	9 Focus knob	16 USB connector
3 Cross line button	10 Cap	17 Reset
4 Zoom in button	11 Memory card slot	18 HDMI connector
5 Power indicator	12 18650 battery slot	19 Bracket Socket
6 Snapshot & Photo playback button	13 Shutter release connector	A Snapshot button
7 Freeze button	14 Dimming switch	B Zoom in button

1. Install the 18650 Li-ion battery before use and confirm the positive and negative directions.
2. Insert the Micro SD card before use.

## 2 Getting Started

### 2.1 Inserting the Memory Card

Insert the memory card, push the memory card until it clicks into place.

To remove the memory card, push to eject the memory card out of the slot.

(It is recommended to format the micro SD cards before first use.)

\*NOTE: Remove the memory card during boot, the device will automatically shut down.

### 2.2 Inserting the battery

Slide off the top cover and inserting the 18650 Li-ion battery. Follow the battery icon in battery slot to place correctly.

### 2.3 Connecting to Power

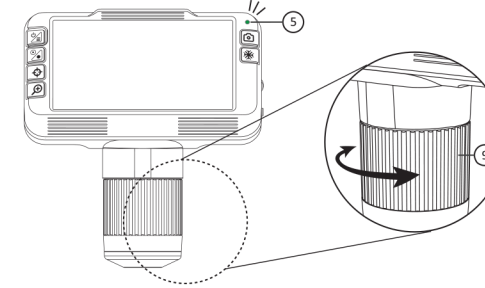
Connect the power adapter to the USB connector of the device. Use only the supplied power adapter to power up the device and charge the battery.

-2-

## 3 Start Using

### 3.1 Power On

After inserting the battery, press "power key" to start up, at this time the power indicator is "on" then start using the device, Focus by adjusting the knob.



### 3.2 Power Off

To turn off, press and hold the "POWER" button.

### 3.3 Initial Settings

Before using the device, we recommend you to set up the correct date and time. To set the correct date and time, do the following:

1. Press the button to enter the menu.
2. Press the button to select Date/Time, press the OK enter.
3. Press the button to adjust the value and press the OK to move to another field.
4. Repeat step 3 until the date and time setting is complete.

### 3.4 Power indicator

- Green light → Device on.
- Red light → Power off, battery charging.
- Orange light → Power on, battery charging.

-3-

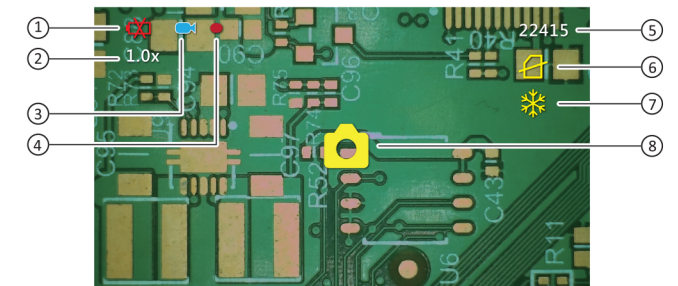
### 3.5 Functional Buttons

Button	Function	Button	Function
[Menu]	Enter Menu	[Record]	Record / Movie Playback (Press&Hold)
[Cross]	Cross line On/Off	[Snapshot]	Snapshot / Photo Playback (Press&Hold)
[Zoom]	Zoom in	[Brightness]	Adjust brightness
[Freeze]	Freeze	[Monitor]	Switch screen output

Icon	Function
[Back]	Menu / Photo Reply→Last page Zoom in / Photo zoom in→Recover
[Up]	Menu→Previous step Photo→Previous step Photo zoom in mode→Move up
[Down]	Menu→Next step Photo→Next page Photo zoom in→Move down
[OK]	Menu→OK
[Zoom]	Photo mode→Zoom in Rotate up→Dark Rotate down→Bright
[Delete]	Photo mode→Delete UP→HDMI output Down→Host screen
[Left]	Photo zoom in→Move left Video Playback→Play
[Right]	Photo zoom in→Move right Video Playback→Pause

-4-

### 3.6 Screen Description



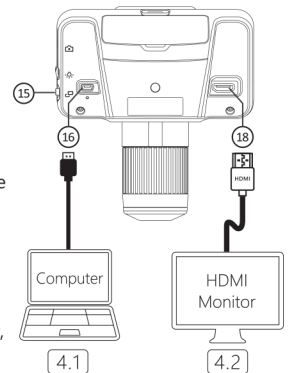
1 Battery power	5 Photo count
2 Magnification	6 No card prompt
3 Record mode	7 Freeze
4 Recording	8 Snapshot

## 4 Other features

### 4.1 USB Cable

Connection computer has two functions  
A: Mass storage→ Direct access to the product memory card data

B: PC camera→ Start the image playback software on the computer to synchronize the picture on the computer.



### 4.2 HDMI Output

You need a separated HDMI cable to connect the device to the HDMI monitor, need to turn the switch up.

-5-

## 5 Adjusting the Settings

Menu option	Description	Available option
Cross line type	Set the on-screen display Cross line type	Full line/Dotted line
Color	Set the onscreen display Cross color	Red/Green/Blue/Black/White
Auto power off	Set the auto turning off the power	15min/30min/60min/Off
Language	Set the on-screen display menu language	English / 简体中文/繁體中文
Date/Time	Set the date and time	Indicates the date and time
Backlight	Set monitor brightness	1/2/3/4/5/6/7
Format	Format the memory card	Cancel/OK
Default Setting	Reset all settings to factory default settings	Cancel/OK
Version	Version information	

## 6 Specifications

Image sensor	2M CMOS Sensor
Effective pixels	1920(H) x 1080 (V)
LCD display	5" LCD color TFT
Interface	Mini USB · Type A HDMI
Battery	2600mAh 18650 Li-ion Battery (included)
Dimensions	145 x 148 x 78 mm
Weight	Approx. 317 g

## 7 About this Guide

The content in this document is for information purpose and is subject to change without prior notice. We made every effort to ensure that this User Guide is accurate and complete. However, no liability is assumed for any errors and omissions that may have occurred. We reserves the right to change the technical specifications without prior notice.

## 8 Caution

Use the authorized charger and accessories only. If the product was damaged or malfunctioned due to improper use or disassembly, it is not covered by the warranty.

-6-