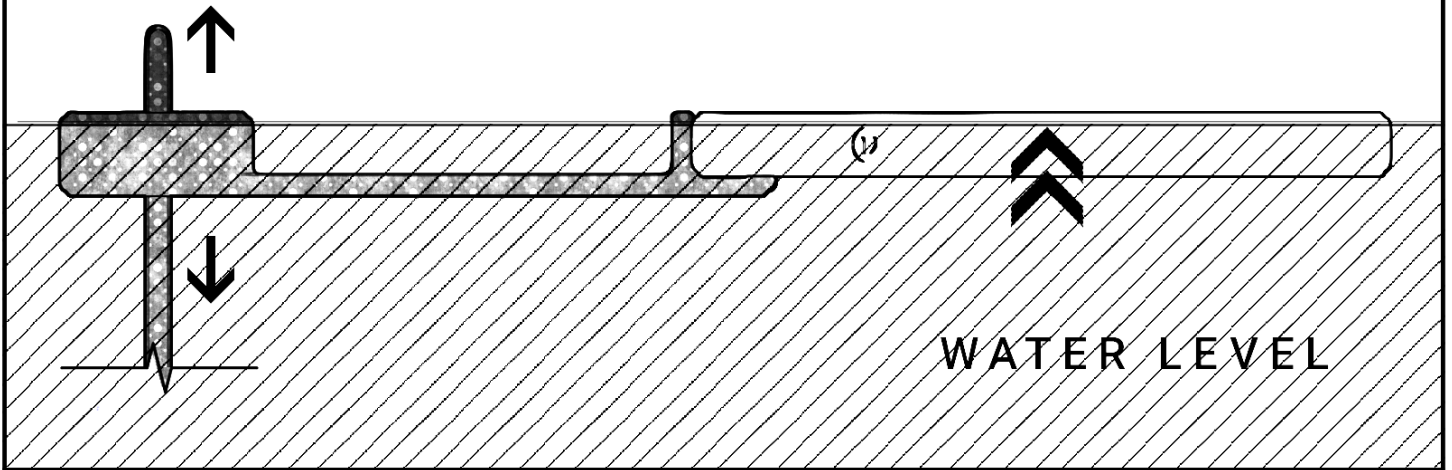
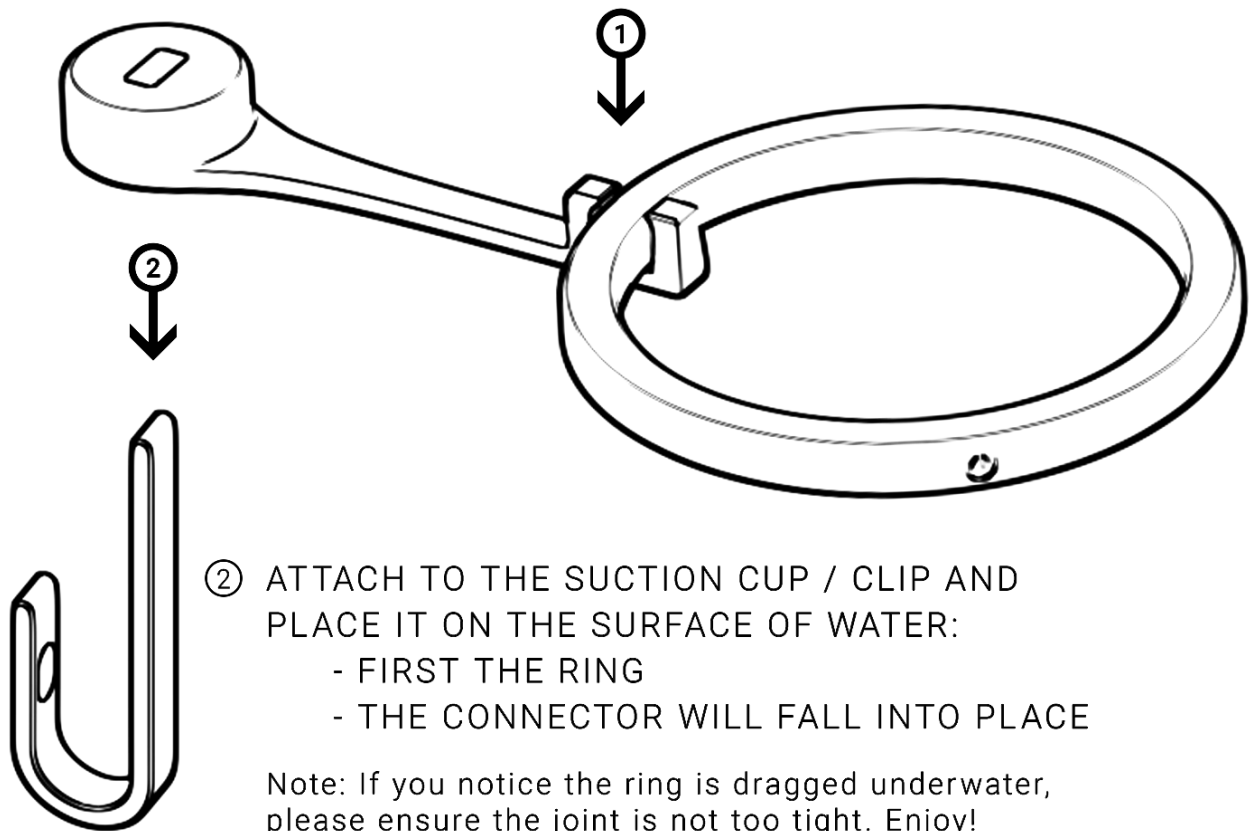


LOCK-IN-PLACE SYSTEM

DECORATIVE ITEM. PLEASE HANDLE WITH CARE



- ① ATTACH THE RING TO THE ARM CONNECTOR
- ⚠ THE JOINT IS INTENDED TO STAY LOOSE/MOBILE



- ② ATTACH TO THE SUCTION CUP / CLIP AND PLACE IT ON THE SURFACE OF WATER:
 - FIRST THE RING
 - THE CONNECTOR WILL FALL INTO PLACE

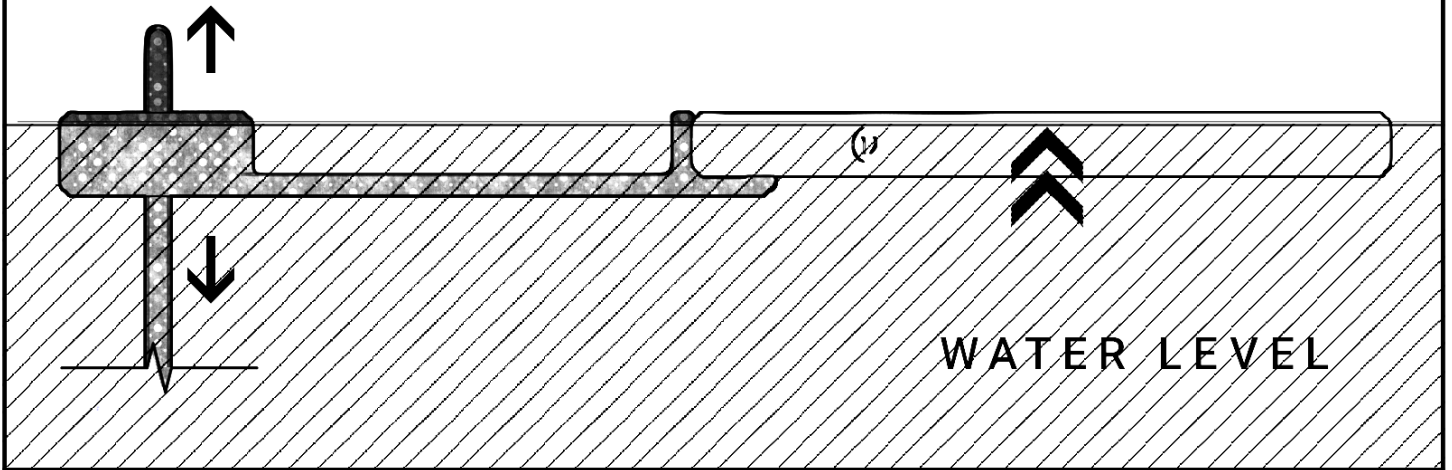
Note: If you notice the ring is dragged underwater, please ensure the joint is not too tight. Enjoy!

ENJOY!

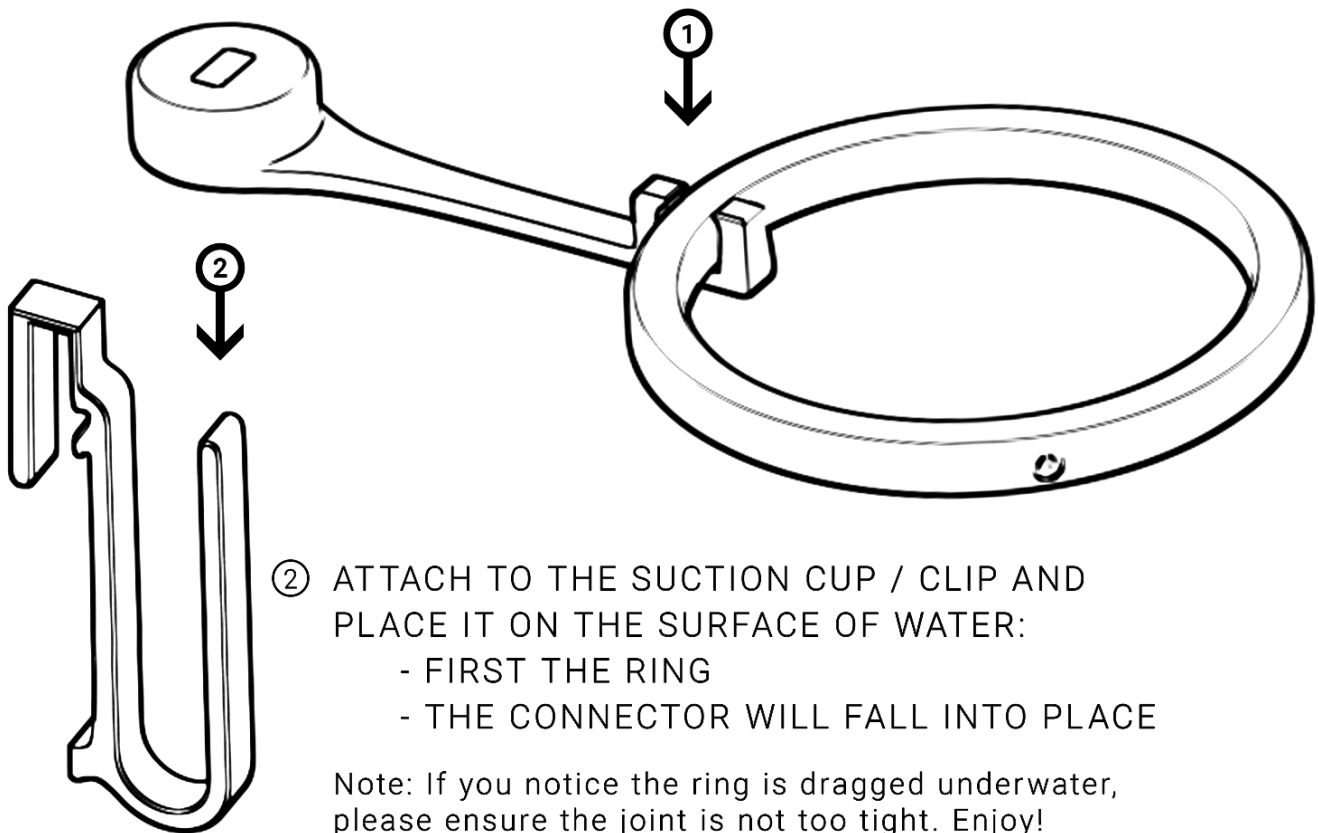


LOCK-IN-PLACE SYSTEM

DECORATIVE ITEM. PLEASE HANDLE WITH CARE



- ① ATTACH THE RING TO THE ARM CONNECTOR
- ⓘ THE JOINT IS INTENDED TO STAY LOOSE/MOBILE



- ② ATTACH TO THE SUCTION CUP / CLIP AND PLACE IT ON THE SURFACE OF WATER:
 - FIRST THE RING
 - THE CONNECTOR WILL FALL INTO PLACE

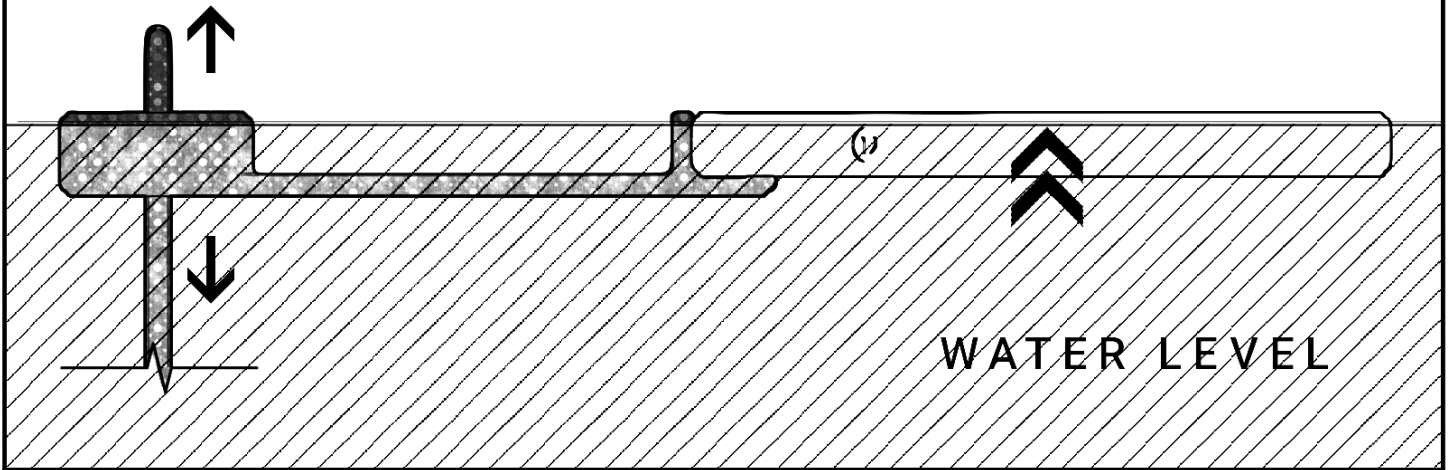
Note: If you notice the ring is dragged underwater, please ensure the joint is not too tight. Enjoy!

ENJOY!

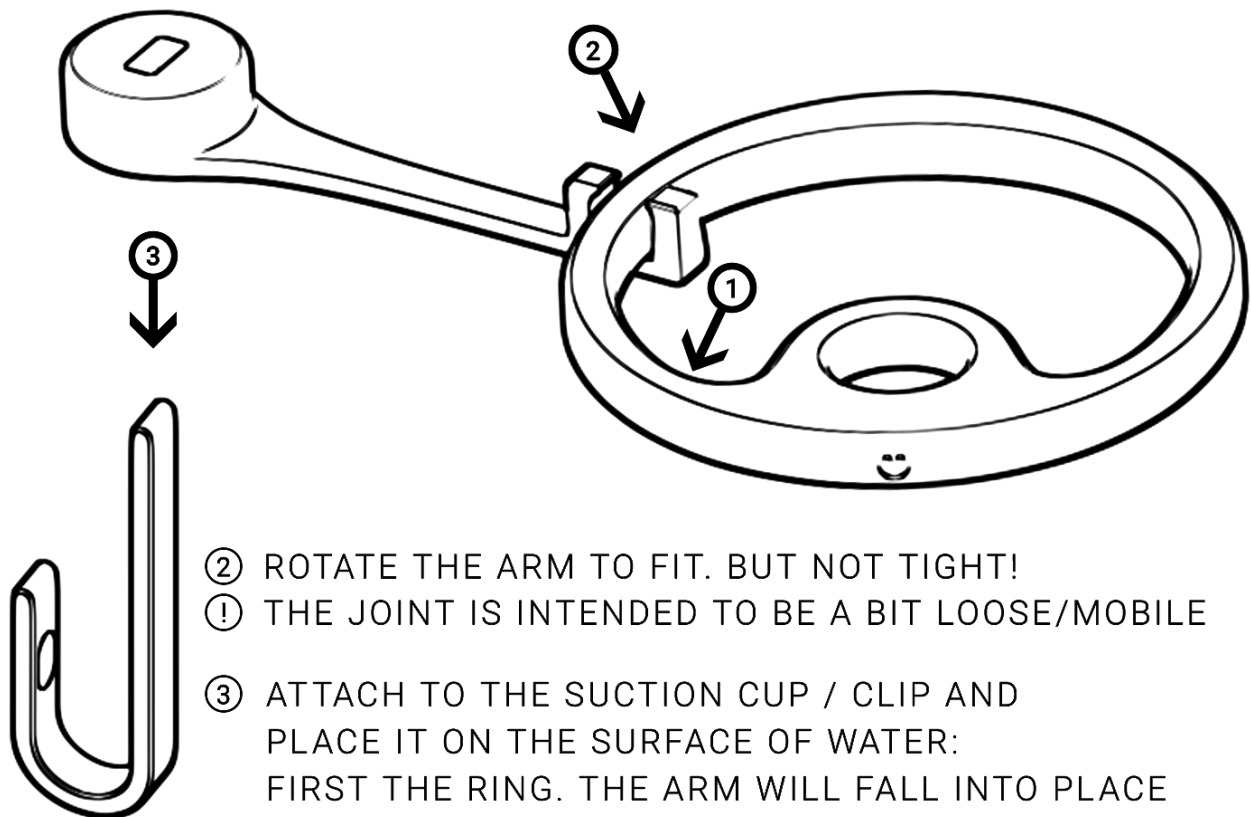


LOCK-IN-PLACE SYSTEM

DECORATIVE ITEM. PLEASE HANDLE WITH CARE



- ① ATTACH THE RING TO THE ARM CONNECTOR
USE THE NARROWEST SECTION



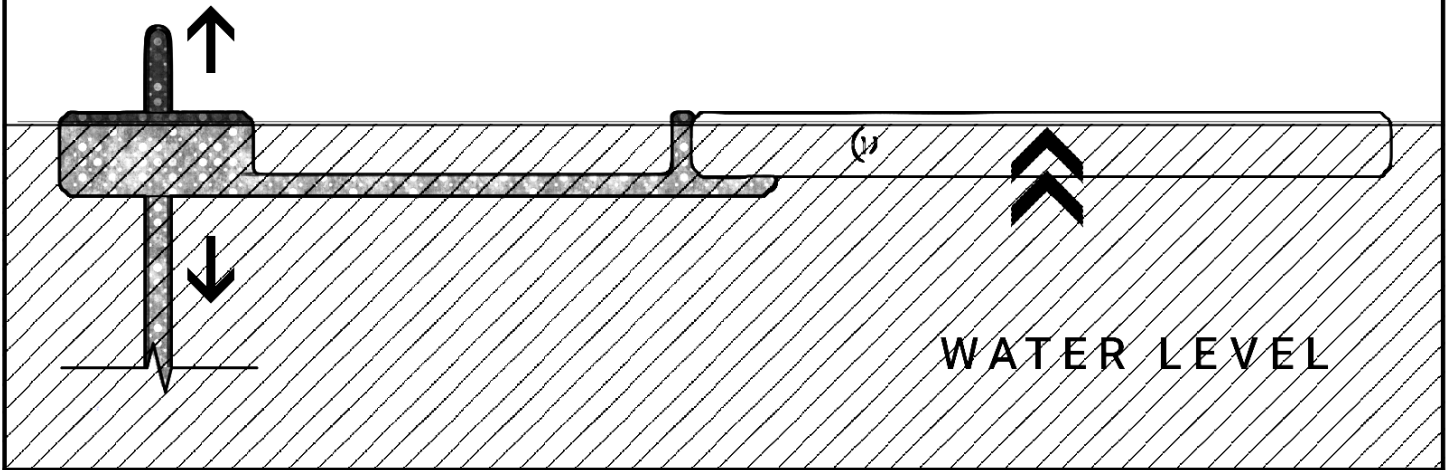
- ② ROTATE THE ARM TO FIT. BUT NOT TIGHT!
- ① THE JOINT IS INTENDED TO BE A BIT LOOSE/MOBILE
- ③ ATTACH TO THE SUCTION CUP / CLIP AND
PLACE IT ON THE SURFACE OF WATER:
FIRST THE RING. THE ARM WILL FALL INTO PLACE

Note: If you notice the ring is dragged underwater,
please ensure the joint is not too tight. Enjoy!

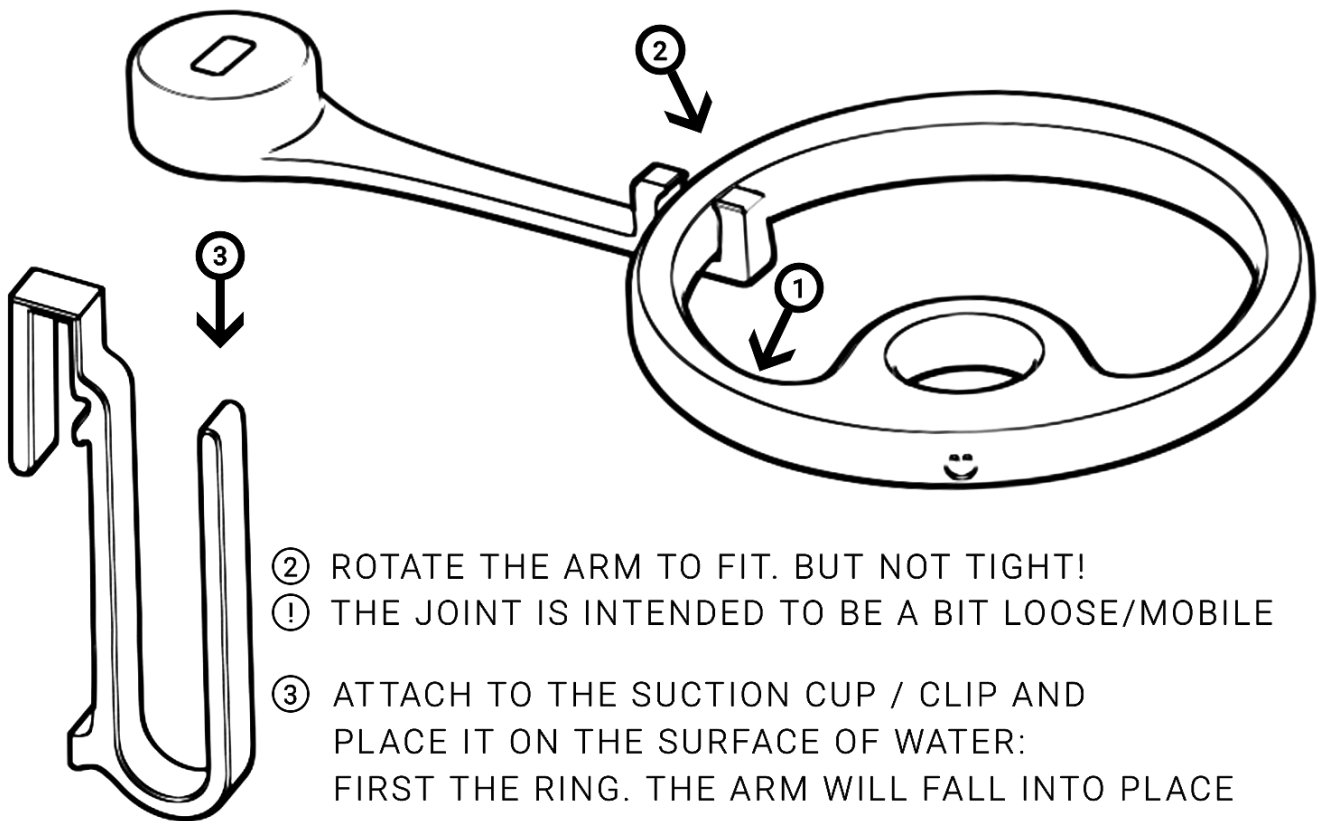


LOCK-IN-PLACE SYSTEM

DECORATIVE ITEM. PLEASE HANDLE WITH CARE



- ① ATTACH THE RING TO THE ARM CONNECTOR
USE THE NARROWEST SECTION



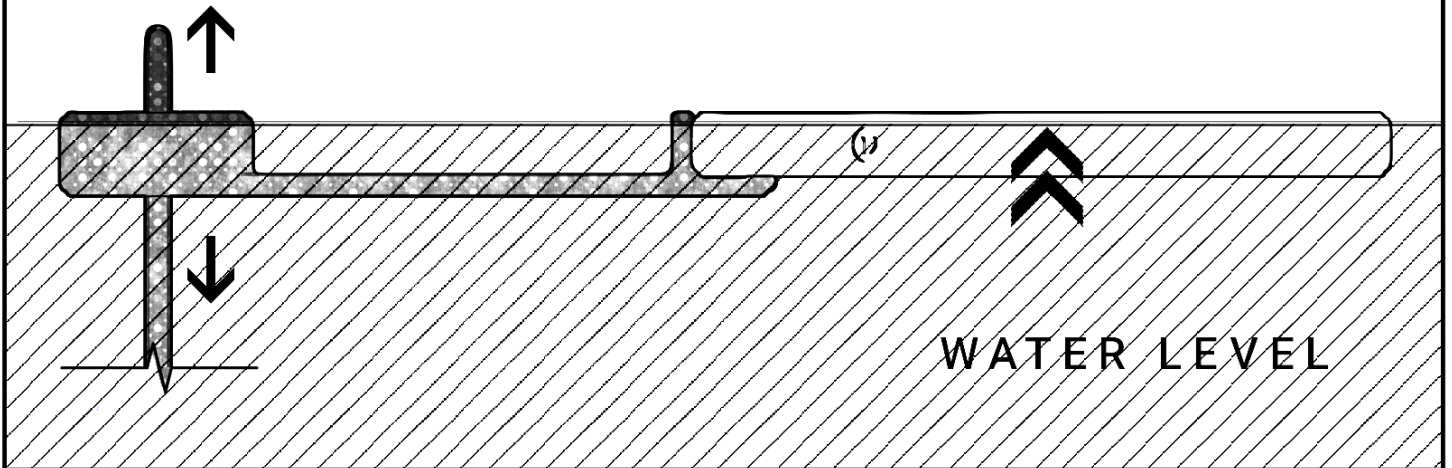
- ② ROTATE THE ARM TO FIT. BUT NOT TIGHT!
- ① THE JOINT IS INTENDED TO BE A BIT LOOSE/MOBILE
- ③ ATTACH TO THE SUCTION CUP / CLIP AND
PLACE IT ON THE SURFACE OF WATER:
FIRST THE RING. THE ARM WILL FALL INTO PLACE

Note: If you notice the ring is dragged underwater,
please ensure the joint is not too tight. Enjoy!

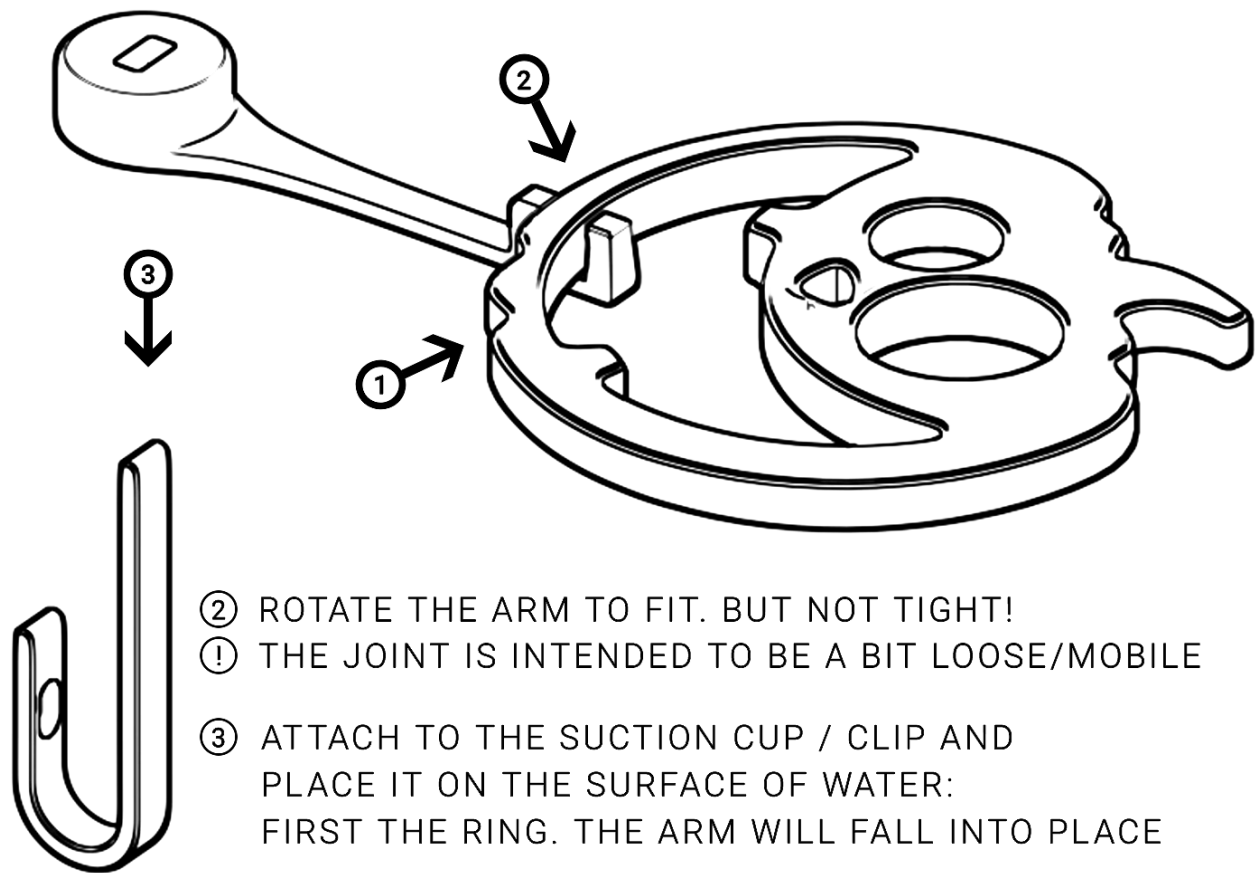


LOCK-IN-PLACE SYSTEM

DECORATIVE ITEM. PLEASE HANDLE WITH CARE



- ① ATTACH THE RING TO THE ARM CONNECTOR
USE THE NARROWEST SECTION

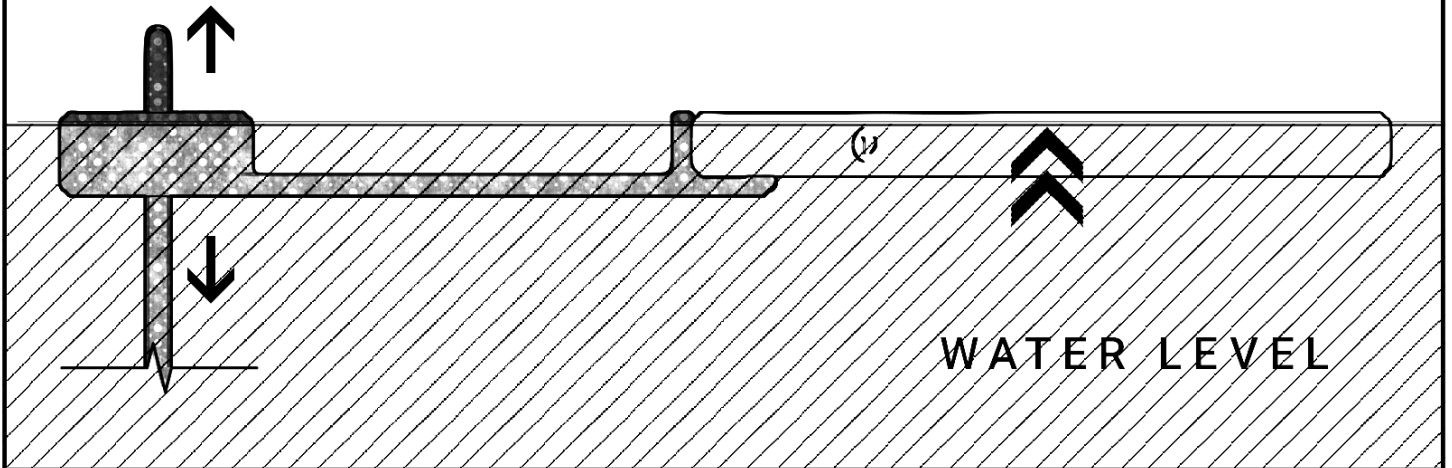


Note: If you notice the ring is dragged underwater,
please ensure the joint is not too tight. Enjoy!

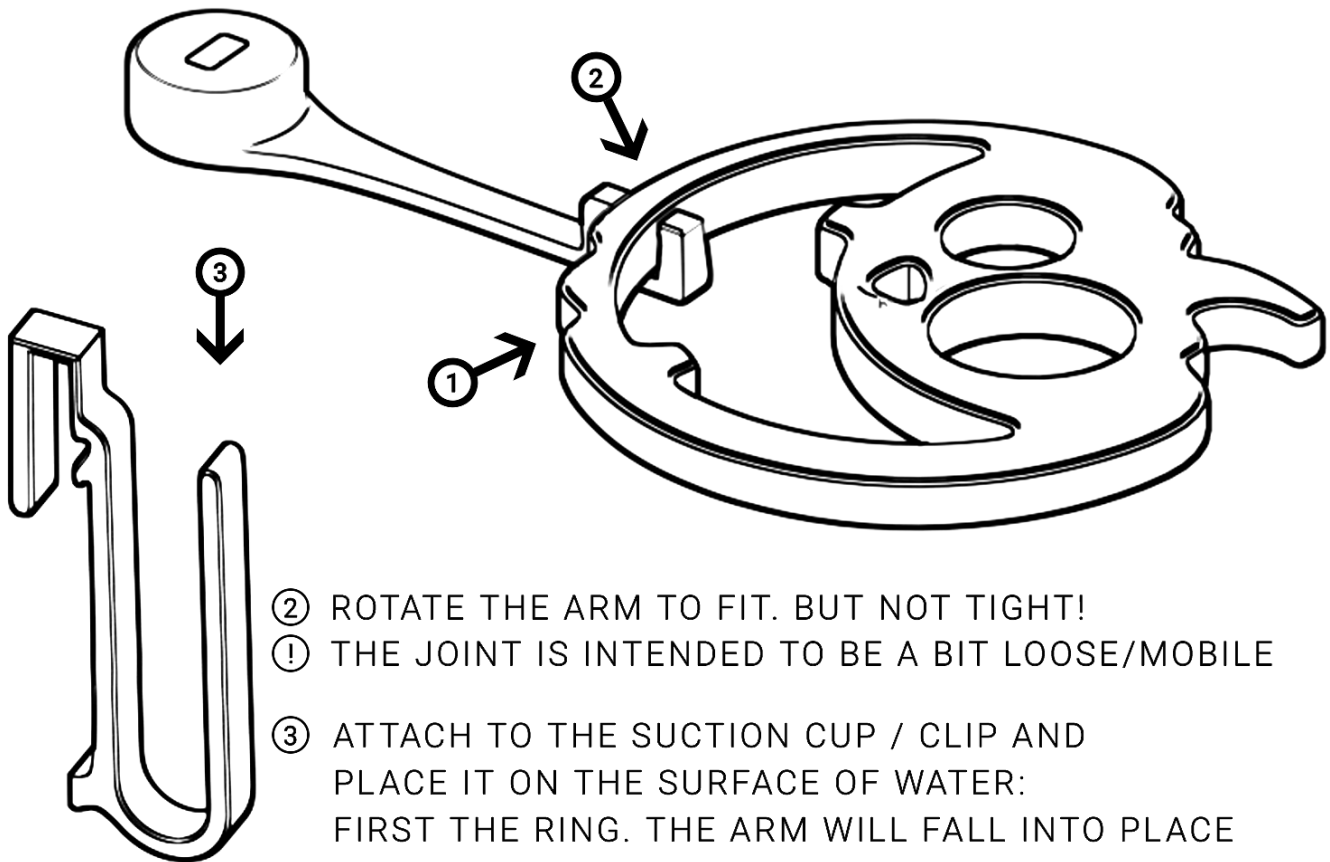


LOCK-IN-PLACE SYSTEM

DECORATIVE ITEM. PLEASE HANDLE WITH CARE



- ① ATTACH THE RING TO THE ARM CONNECTOR
USE THE NARROWEST SECTION



Note: If you notice the ring is dragged underwater,
please ensure the joint is not too tight. Enjoy!

