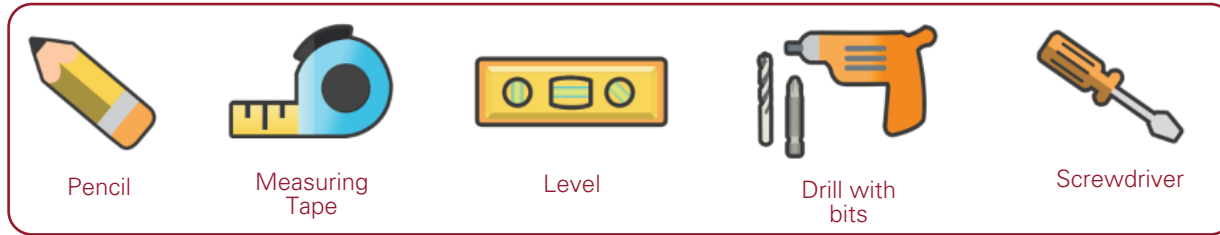
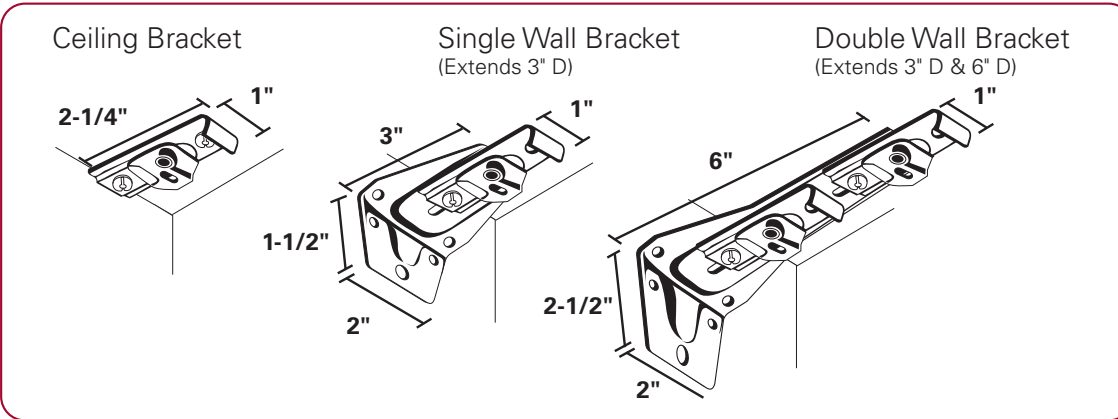


Ripplefold and Pinch Pleat Drapery Manual Installation

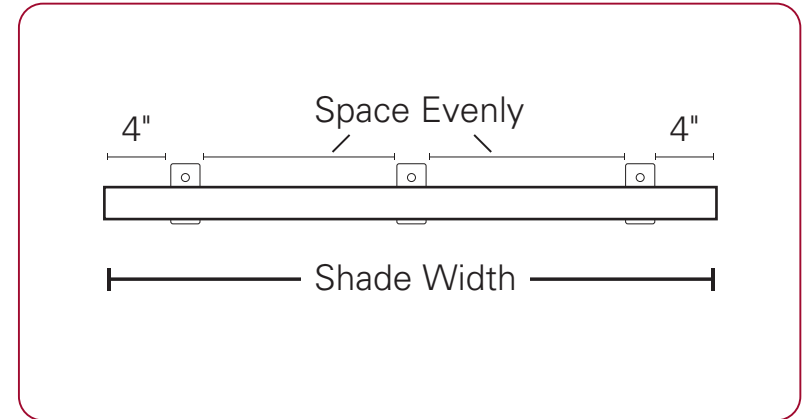
TOOLS NEEDED



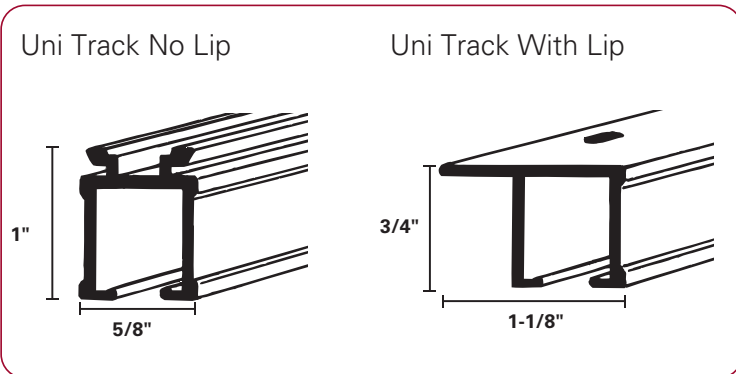
CEILING AND WALL BRACKETS



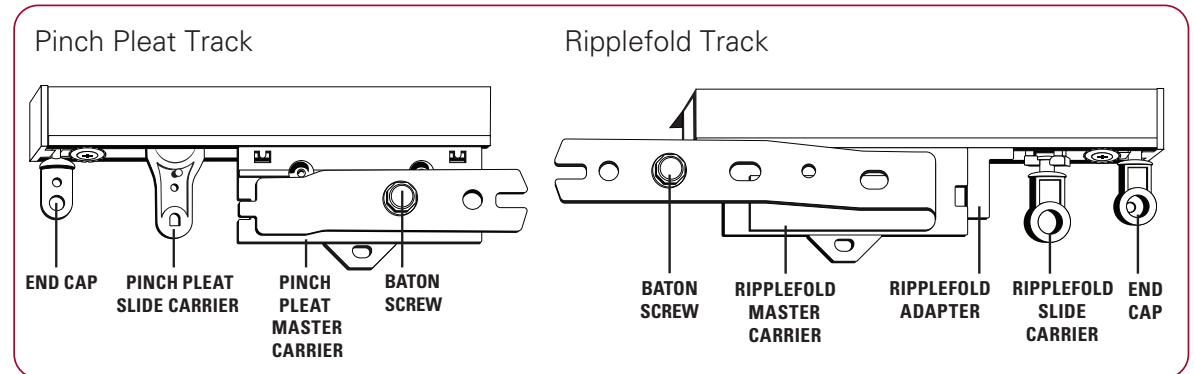
BRACKET SPACING



DRAPERY TRACK

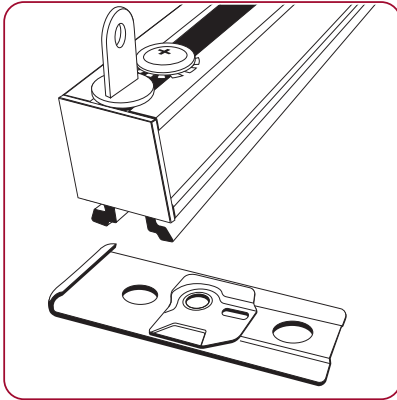


DRAPERY TRACK PARTS



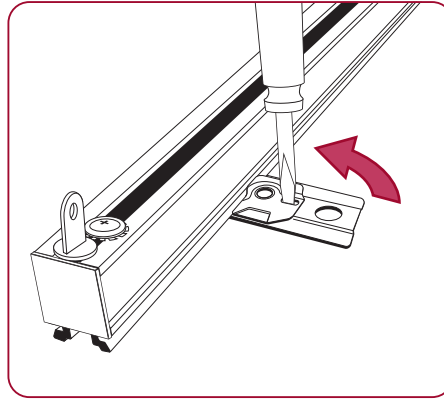
Ripplefold and Pinch Pleat Drapery Manual Installation

UNI TRACK NO LIP BRACKET INSTALLATION



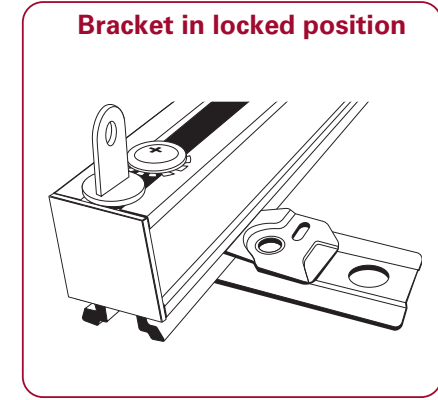
Turn the brackets and track upside down.

Position the brackets on the track. At least 4" from the ends and evenly space any additional brackets.



Use a flathead screwdriver to secure the brackets to the track.

Follow the same instructions for the single and double wall mounted brackets.

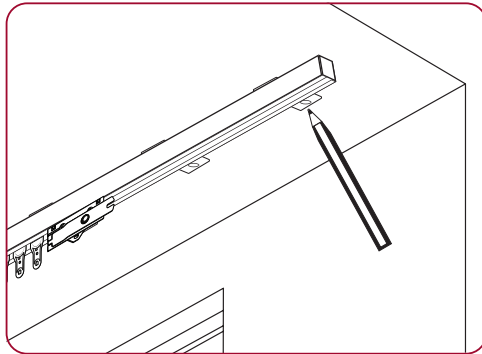


Bracket in locked position

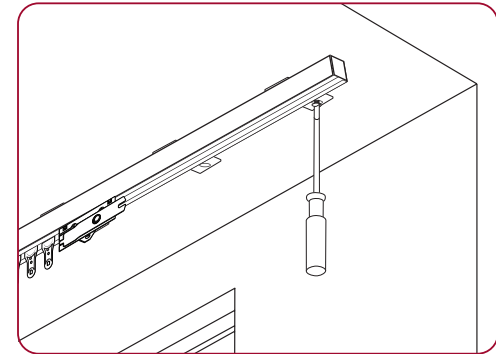
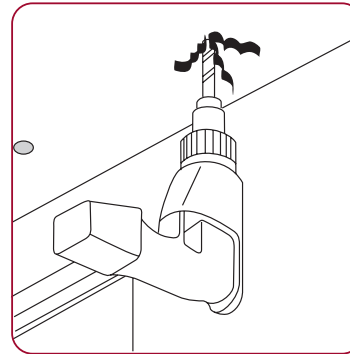
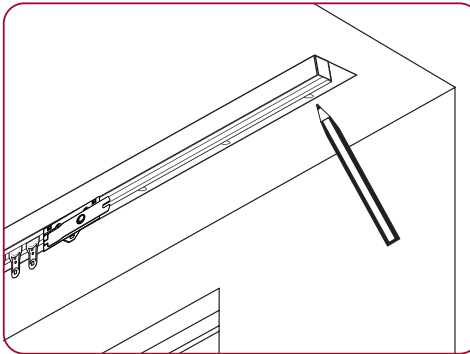
TRACK INSTALLATION

Mount into wood or metal studs or into concrete with concrete anchors. Drywall anchors are not recommended.

UNI TRACK NO LIP



UNI TRACK WITH LIP

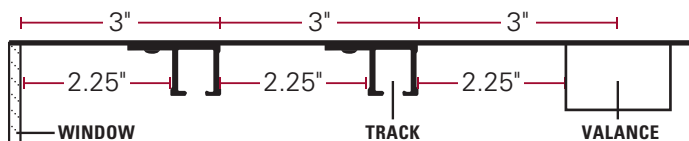


1) Place the track into position and use a pencil to mark the screw holes.

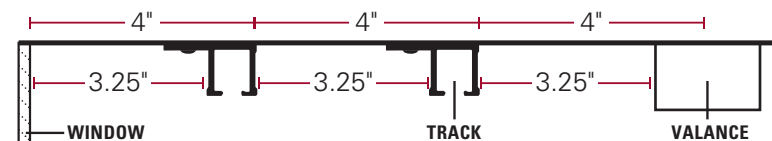
2) Drill the ceiling or the wall at the marked positions.

3) Use the provided screws to secure the track in place.

PINCH PLEAT TRACK SPACING

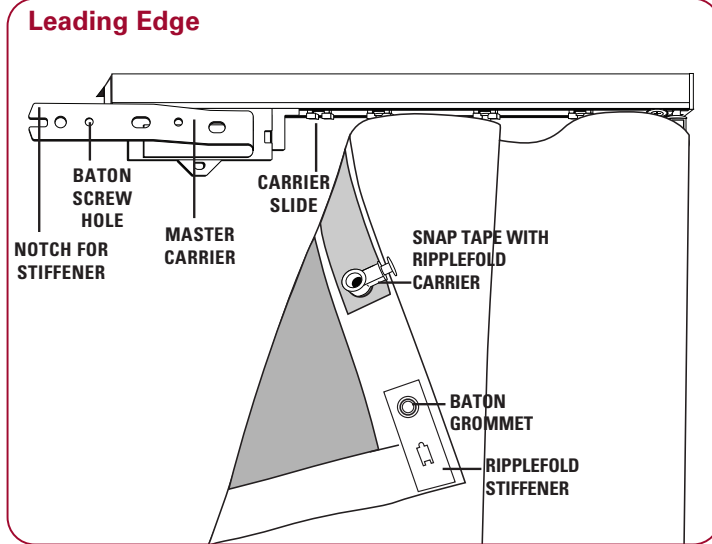


RIPPLEFOLD TRACK SPACING

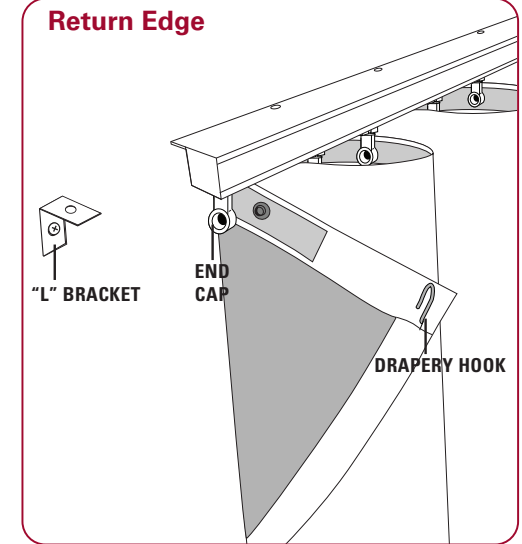
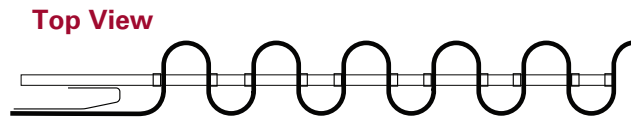


Ripplefold and Pinch Pleat Drapery Manual Installation

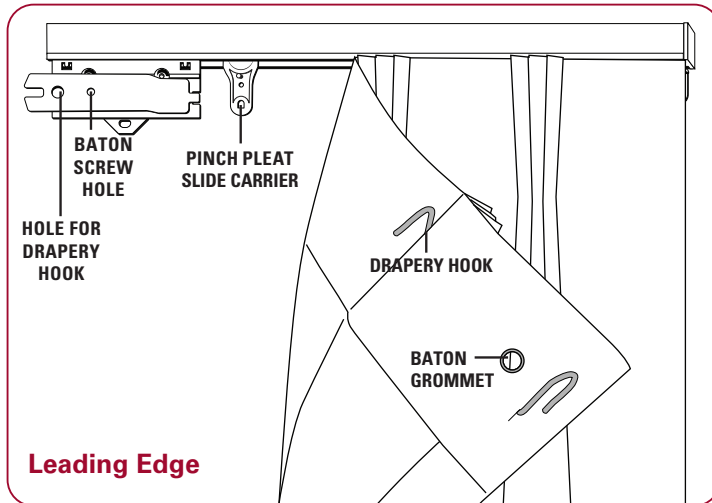
RIPPLEFOLD INSTALLATION



- 1) Examine the drape to determine the leading edge. The leading edge will have a stiffener and baton grommet.
- 2) The Ripplefold carriers will come pre-installed to the snap tape.
- 3) Slide the stiffener on to the notch on the master carrier.
- 4) Insert the Ripplefold carriers into the carrier slides on the track.
- 5) Attach the last snap to the end cap on the return edge.
- 6) Adjust the drapery to match the wave pattern shown in the Top View below.
- 7) Secure the return edge to the wall using the "L" bracket and drapery hook provided.
- 8) Attach the baton using the Baton Installation instructions.

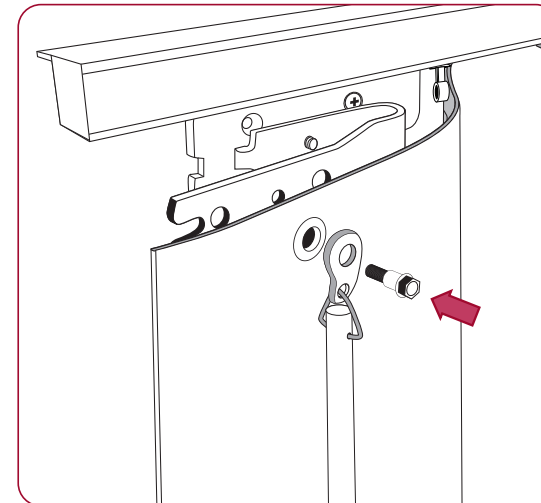


PINCH PLEAT INSTALLATION



- 1) Examine the drape to determine the leading edge. The leading edge will have a baton grommet.
- 2) The Pinch Pleat slide carriers will come pre-installed to the track.
- 3) Insert the drapery hooks into the slide carriers on the track.
- 4) Attach the baton using the Baton Installation instructions.

BATON INSTALLATION



- 1) Align the drapery grommet with the screw hole on the master carrier.
- 2) Place the baton in front of the grommet.
- 3) Use the provided screw to secure the baton and drapery to the master carrier.