

Technical Specification Sheet

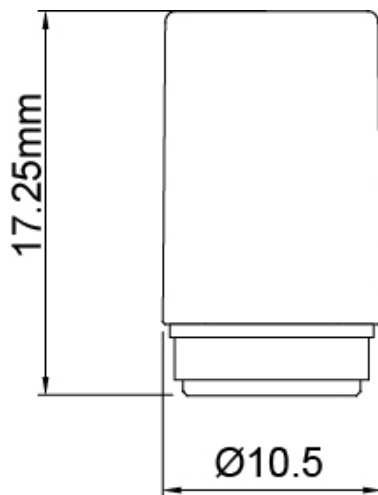


Easy-press Plastic Barrel for Cartridges		VER:	3.0
DOCUMENT NO:	DOC-PBM-01	DATE:	01-SEP-2022
AVEO® SKU:	PBB, PBC	PAGE 1 OF 1	

Plastic Barrel



Specifications	
Weight	1.1 ± 0.05 g
Material	Plastic
Color	Black, Clear
Tolerance	± 0.1 mm
Tip Capping Pressure	6~7 kgF (13-15lbs)



Technical Specification Sheet

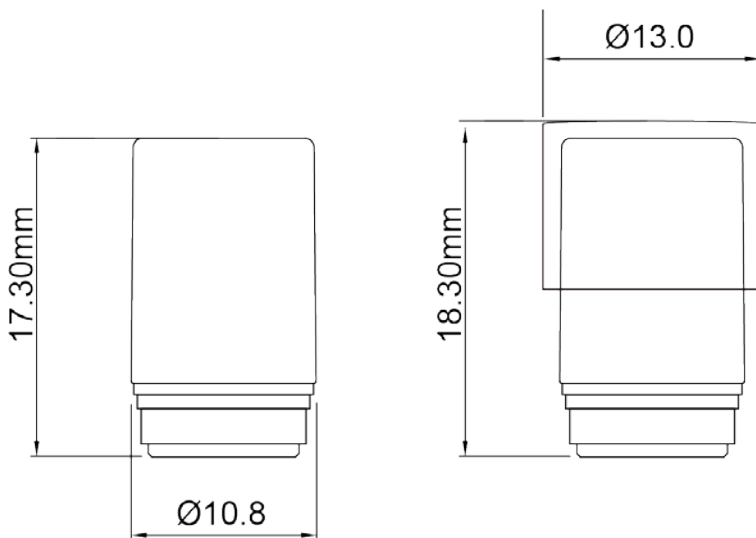


Easy-press Ceramic Barrel for Cartridges		VER:	3.0
DOCUMENT NO:	DOC-CBM-01	DATE:	01-SEP-2022
AVEO® SKU:	CBB, CBW	PAGE 1 OF 1	

Ceramic Barrel



Specifications	
Weight	2.45 ± 0.05 g
Material	Ceramic
Color	Black, White
Tolerance	± 0.15 mm
Tip Capping Pressure	6~7 kgF (13-15lbs)



Technical Specification Sheet

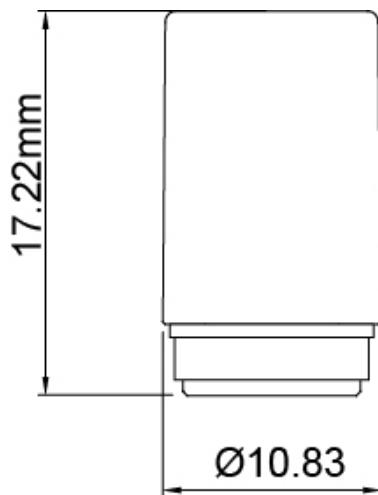


Easy-press Hemp Barrel for Cartridges		VER:	3.0
DOCUMENT NO:	DOC-HBM-01	DATE:	01-SEP-2022
AVEO® SKU:	HBN, HBG, HBW		PAGE 1 OF 1

Hemp Barrel



Specifications	
Weight	0.9 ± 0.05 g
Material	Hemp Plastic
Color	Natural, Gray, White
Tolerance	± 0.1 mm
Tip Capping Pressure	6~7 kgF (13-15lbs)



Technical Specification Sheet

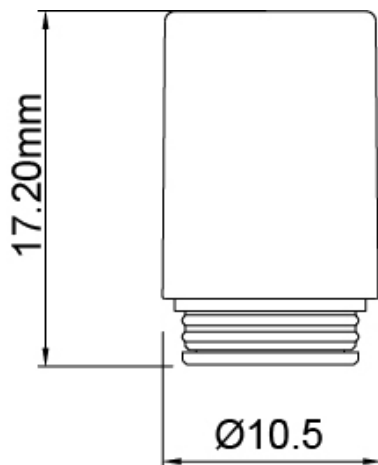


Easy-press Plastic Barrel Helix for Cartridges		VER:	1.0
DOCUMENT NO:	DOC-PBMH-01	DATE:	01-SEP-2022
AVEO® SKU:	PBBH, PBCH		PAGE 1 OF 1

Plastic Barrel Helix



Specifications	
Weight	1.1 ± 0.05 g
Material	Plastic
Color	Black, Clear
Tolerance	± 0.1 mm
Tip Capping Pressure	6~7 kgF (13-15lbs)



Technical Specification Sheet

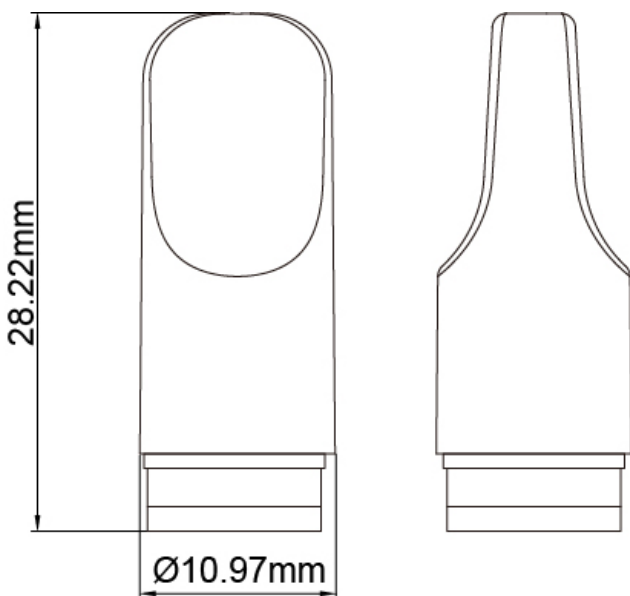


Easy-press Plastic Flat for Cartridges		VER:	3.0
DOCUMENT NO:	DOC-PFM-01	DATE:	01-SEP-2022
AVEO® SKU:	PFB, PFC		PAGE 1 OF 1

Plastic Flat



Specifications	
Weight	1.35 ± 0.05 g
Material	Plastic
Color	Black, Clear
Tolerance	± 0.1 mm
Tip Capping Pressure	6~7 kgF (13-15lbs)



Technical Specification Sheet

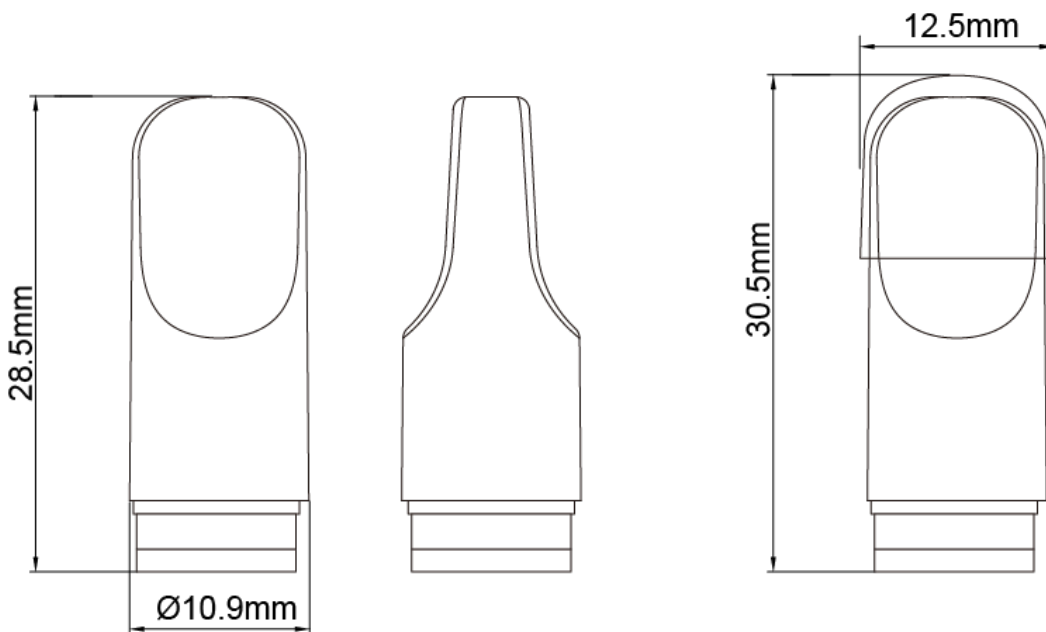


Easy-press Ceramic Flat for Cartridges		VER:	3.0
DOCUMENT NO:	DOC-CFM-01	DATE:	01-SEP-2022
AVEO® SKU:	CFB, CFW	PAGE 1 OF 1	

Ceramic Flat



Specifications	
Weight	4.25 ± 0.05 g
Material	Ceramic
Color	Black, White
Tolerance	± 0.15 mm
Tip Capping Pressure	6~7 kgF (13-15lbs)



* All renderings shown are for illustration purpose only. Actual product may vary due to product enhancement.

Technical Specification Sheet



Easy-press Hemp Flat for Cartridges		VER:	3.0
DOCUMENT NO:	DOC-HFM-01	DATE:	01-SEP-2022
AVEO® SKU:	HFN, HFG, HFW		PAGE 1 OF 1

Hemp Flat



Specifications	
Weight	1.18 ± 0.05 g
Material	Hemp Plastic
Color	Natural, Gray, White
Tolerance	± 0.1 mm
Tip Capping Pressure	6~7 kgF (13-15lbs)

