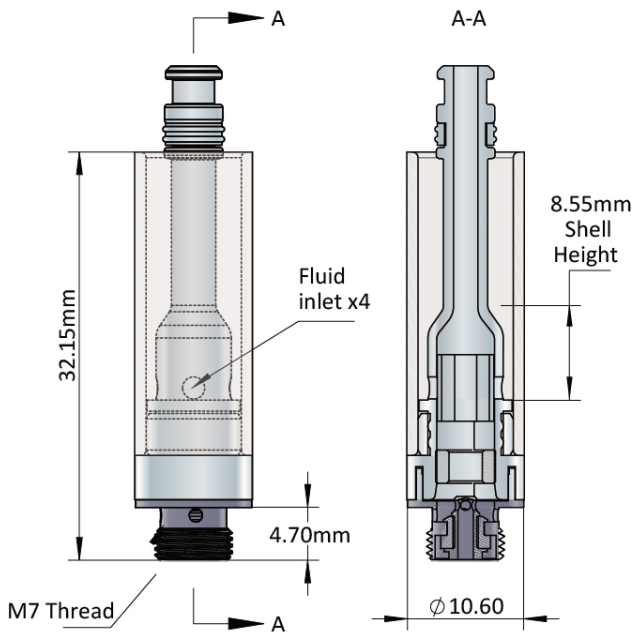


# Technical Specification Sheet



<b>Easy-press Luminous Series Glass Cartridges</b>		<b>VER:</b>	4.0
<b>DOCUMENT NO:</b>	DOC-OCZR-01	<b>DATE:</b>	26-JAN-2024
<b>AVEO® SKU:</b>	050CZR, 100CZR	PAGE 1 OF 2	

## 0.5mL Cartridge



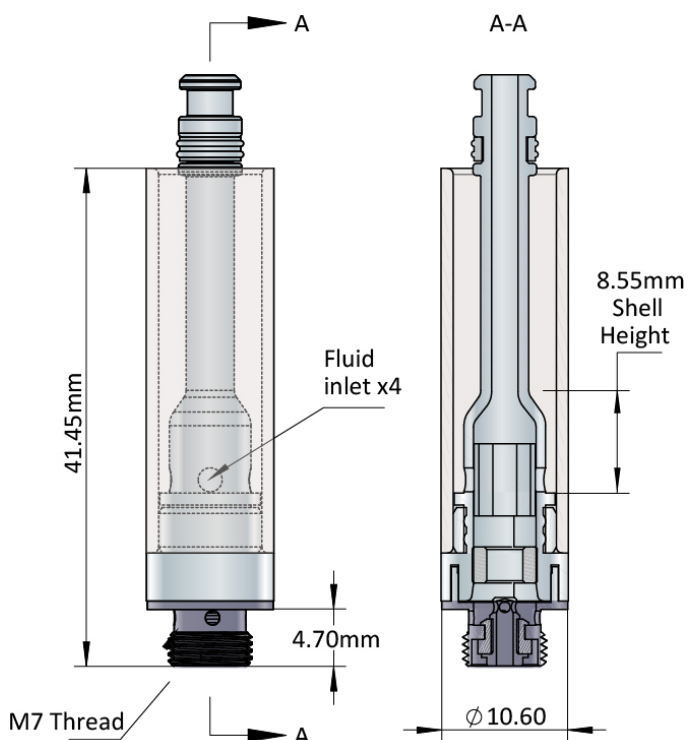
### Description:

Top fill vaporizer cartridge. Premium medical grade zirconia construction. Patented low torque, tamper proof, easy snap-on locking mouthpiece system. No arbor press required.

### Features:

- » Premium medical grade zirconia center post and cartridge build
- » AVEO® Technology atomizer
- » Top loading, compatible with most filling machines
- » Capable for mass filling and mass capping
- » Tamper-proof, press-fit, locking mouthpiece
- » 0.5mL / 1.0mL capacity, 1.5mm aperture
- » Multiple mouthpiece materials and shapes to choose from

## 1.0mL Cartridge



# Technical Specification Sheet



<b>Easy-press Luminous Series Glass Cartridges</b>		<b>VER:</b>	4.0
<b>DOCUMENT NO:</b>	DOC-OCZR-01	<b>DATE:</b>	26-JAN-2024
<b>AVEO® SKU:</b>	05OCZR, 100CZR	PAGE 2 OF 2	

Specifications		
<b>Capacity</b>	0.5 mL	1.0 mL
<b>Gross volume</b>	0.55 mL	1.05 mL
<b>Max. fill volume</b>	0.5 mL	1.0 mL
<b>Weight, empty</b>	7.00 ± 0.2 g	8.04 ± 0.2 g

<b>Power @ 3.5V (± 0.5W)</b>	Standard power is 9W	
<b>Fluid Inlet Diameter (± 0.5mm)</b>	1.5mm	
<b>Fluid Inlet qty</b>	4 inlet holes	
<b>Viscosity Range</b>	1,000-110,000cps depending on aperture and configuration	
<b>Materials</b>	Heating Base, Coil Head, center post	Medical Grade Zirconia
	Anode, M7 510 threading	Plated Lead-free Brass
	Glass Tube	High borosilicate glass (Food grade)
	Heating Core	FeCrAl, Ceramic, Cotton
	Seals	Eco-friendly Silicone
	Mouthpiece (multiple materials available)	Resin, Ceramic, Metal, Hemp Plastic