

ProChem-S

TPS Pty Ltd

ABN 30 009 773 371

Phone: (07) 32058027

International: 61 732058027

Email: sales@tps.com.au

Web: www.tps.com.au





Congratulations !

Your new **proCHEM-S** controller is the latest in simple, reliable process control instrumentation. With correct operation and maintenance, your **proCHEM-S** will give you many years of reliable service.

The **proCHEM-S** is a breeze to operate. This manual has been designed to help you get started, and also contains some handy application tips. If at any stage you require assistance, please contact either your local TPS representative or the TPS factory in Brisbane.

The manual is divided into the following sections:

1. Table of Contents

Each major section of the handbook is clearly listed. Sub-sections have also been included to enable you to find the information you need at a glance.

2. Introduction

The introduction has a diagram and explanation of the display and controls of the **proCHEM-S**. It also contains a full listing of all of the items that you should have received with the unit. Please take the time to read this section, as it explains some of items that are mentioned in subsequent sections.

3. Main Section

The main section of the handbook provides complete details of the **proCHEM-S**, including operating modes, calibration, troubleshooting, specifications, and warranty terms.

4. Appendices

Appendices containing background information and application notes are provided at the back of this manual.



Contents

1. Introduction	5
1.1 proCHEM-S Illustration	5
1.2 Unpacking Information	8
1.3 Specifications	9
2. Operating Modes	11
3. Installation and Set-up	13
3.1 Connection and Configuration Diagram	13
3.2 Mounting the Enclosure	14
3.3 Mounting the Sensor	15
3.4 Terminal Connections	16
3.5 Setting the Control Limit	19
3.6 Selecting Current or Voltage Output	22
3.7 Selecting Standard or Custom 4 to 20 mA Output	23
3.8 Calibrating the 4 to 20mA Output	24
4. Calibration	25
4.1 Calibration Procedure	25
4.2 Calibration Notes	26
5. Process Monitoring	27
6. Automatic Control	27
7. Fuse Replacement	27
8. Troubleshooting	30
8.1 Instrument Function Troubleshooting	30
8.2 Salinity/TDS Troubleshooting	31
9. Warranty	33
10. Appendices	35
10.1 Re-setting the Display Range	35
10.2 Care, Cleaning and Maintenance of Salinity/TDS Electrodes	37
10.3 Power Terminal connections when 12V DC option is fitted	40
10.4 Relay Output Wiring Examples for mains powered units	41



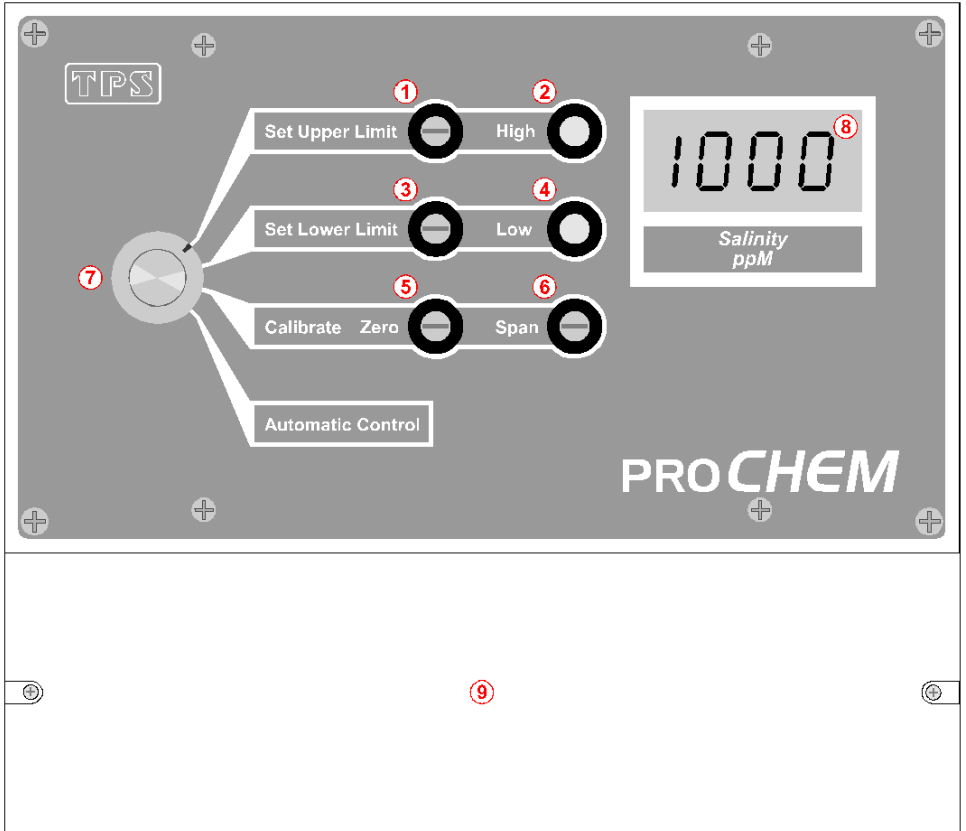
10.5 Relay Output Wiring Examples for 12V DC powered units

43



1. Introduction

1.1 proCHEM-S Illustration





① **Set Upper Limit Control**

Adjust this control to the Salinity/TDS value at which the High LED and relay output are activated. Factory-set to activate when the reading is **above** the Upper Limit. See section 3.5.

② **High LED**

The High LED provides visual indication of when the Upper Limit has been exceeded. Factory-set to light up when the reading is **above** the Upper Limit. See section 3.5.

③ **Set Lower Limit Control**

Adjust this control to the Salinity/TDS value at which the Low LED and relay output are activated. Factory-set to activate when the reading is **below** the Lower Limit. See section 3.5.

④ **Low LED**

The Low LED provides visual indication of when the Lower Limit has been exceeded. Factory-set to light up when the reading is **below** the Lower Limit. See section 3.5.

⑤ **Zero Calibrate Control**

Adjust this control to calibrate the **proCHEM-S** with the sensor dry and in air. See section 4.

⑥ **Span Calibrate Control**

Adjust this control to calibrate the **proCHEM-S** in a Salinity/TDS standard. See section 4.

⑦ **Function Switch**

The Function Switch is used to select the mode of operation. See section 2.

⑧ **Display Window**

The **proCHEM-S** has a large, easy to read LCD display. The units of measurement are clearly shown in the window beneath the display.

⑨ **Terminal Cover**



The terminal cover provides easy access to all of the connections, relay output fuses, configuration jumpers and user-adjustable trimmers. The cover is water resistant to IP65.



1.2 Unpacking Information

Before using your new **proCHEM-S**, please check that the following accessories have been included:

Part No

1. **proCHEM-S** Process Controller 112127
2. **proCHEM-S** Handbook 130050
3. 200mL of Salinity/TDS standard to suit specified range.

Options that may have been ordered with your proCHEM-S:

Sensor options...

- | | |
|--|--------|
| 1. k=0.1, GK Series Salinity/TDS sensor, 5m | 112205 |
| 2. k=1.0, GK Series Salinity/TDS sensor, 5m | 112206 |
| 3. k=10, GK Series Salinity/TDS sensor, 5m | 112207 |
| 4. Extra cable for Salinity/TDS sensors (order by the metre) | 130040 |

Instrument options...

- | | |
|------------------------------------|--------|
| 1. 4-20mA loop-powered, remote LCD | 130080 |
| 2. 12V DC Power Option | 130072 |



1.3 Specifications

Ranges

k=0.1 Sensor 0 to 10.00 ppM, 0 to 100.0 ppM or 0 to 1000 ppM

k=1.0 Sensor 0 to 100.0 ppM, 0 to 1000 ppM, or 0 to 10.00 ppK

k=10 Sensor 0 to 1000 ppM, 0 to 10.00 ppK, or 0 to 100.0 ppK

Resolution 0.05% of full scale

Accuracy $\pm 0.2\%$ of full scale at 25 °C

Linearity $\pm 0.05\%$ of full scale

Repeatability $\pm 0.05\%$ of full scale

Ambient Drift $< 0.02\%$ / °C

Long term drift $< 0.1\%$ per year

Temperature Compensation Automatic, 0 to 100.0 °C

Zero Range $\pm 5\%$

Span Range 70 to 130%

Sensors Platinised Platinum, k=0.1, k=1.0 or k=10

Enclosure Polycarbonate, waterproof to IP65

Display 12.7 mm LCD (optional remote 4-20mA loop powered display available)

Analogue Outputs 4 to 20mA (500 Ohms max. loop resistance)
0 to 1 V DC (min. load 1000 Ω)

0 to 10 V DC optional (min. load 1000 Ω)

Control Outputs 2 x Clean contact changeover relays,
rated to 2A at 240V AC

Isolation Galvanic isolation of sensor input

Power 240V AC, 50/60Hz (120V AC optional)

Dimensions 215 x 190 x 115 mm

Mass Instrument only : Approx 900g



Operating Environment: Full Kit : Approx 1.5kg
Temperature : 0 to 45 °C
Humidity : 0 to 95 % R.H.



2. Operating Modes

The function switch is used to select the required mode. The four operating modes available are...

1. **Set Upper Limit** : Switch to **Set Upper Limit** when setting the Salinity/TDS value at which the High LED and relay output are activated. The relay output is not operational in this mode.

Factory-set to activate when the reading is **above** the Upper Limit. Can be user set to be a activate when the reading is **below** the Upper Limit. See section 3.5.
2. **Set Lower Limit** : Switch to **Set Lower Limit** when setting the Salinity/TDS value at which the Low LED and relay output are activated. The relay output is not operational in this mode.

Factory-set to activate when the reading is **below** the Lower Limit. Can be user set to be a activate when the reading is **above** the Lower Limit. See section 3.5.
3. **Calibrate** : Switch to Calibrate mode to place the **proCHEM-S** into standby (eg. when calibrating). This mode disables the two output relays to avoid chemicals being added when placing the sensor into calibration buffers.
4. **Automatic Control** : Switch to **Automatic Control** to enable the Alarm LED's and relay outputs. These will be activated when the Salinity/TDS is outside the Upper and Lower limit values. See section 3.5.

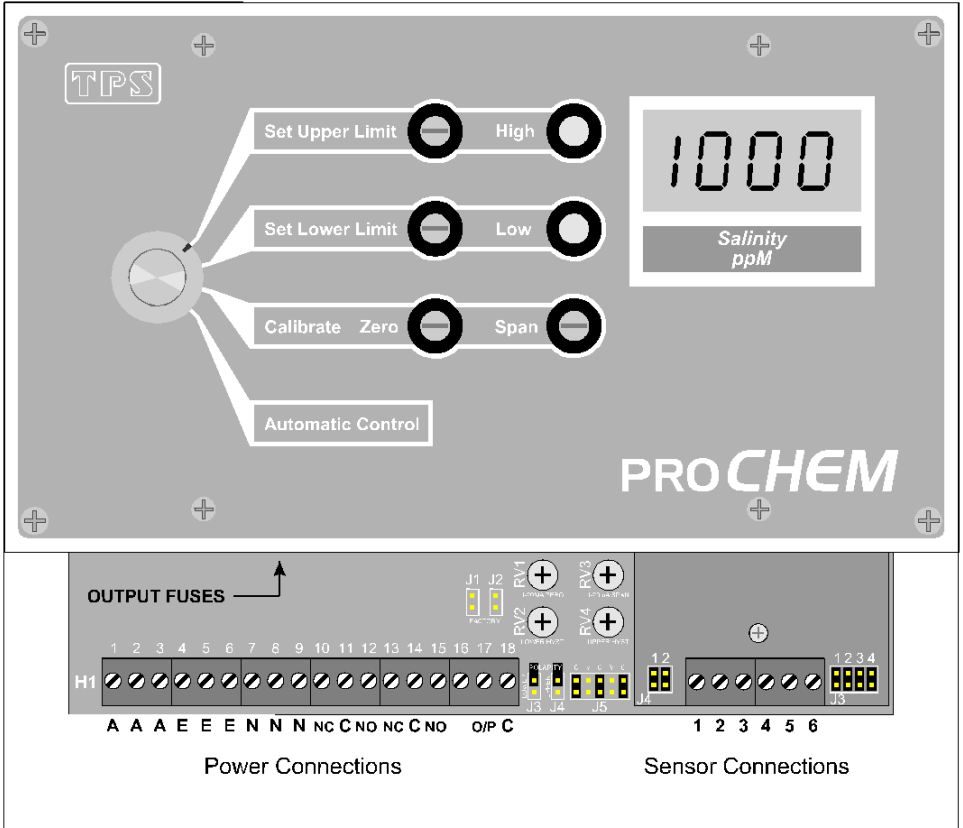




3. Installation and Set-up

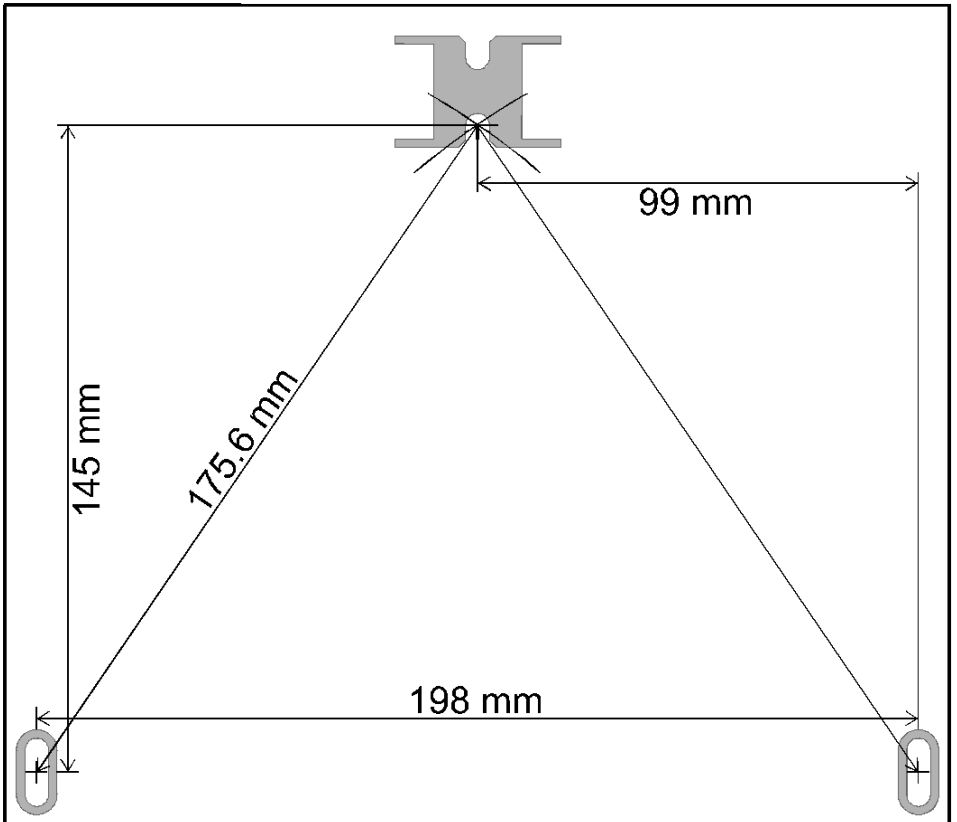
3.1 Connection and Configuration Diagram

The diagram below is provided as a reference for the terminal connections, configuration jumpers and user-adjustable trimmers that are discussed throughout this section.



3.2 Mounting the Enclosure

The **proCHEM-S** can be wall-mounted with 3 screws. Two mounting points are located underneath the terminal cover, and are positioned so that they do not affect the waterproofing of the enclosure. The third mounting point is centrally located near the top of the rear of the enclosure, and has been designed to hook over a screw-head. The dimensions for the mounting screw centres are provided on the rear of the enclosure, and are also illustrated below...

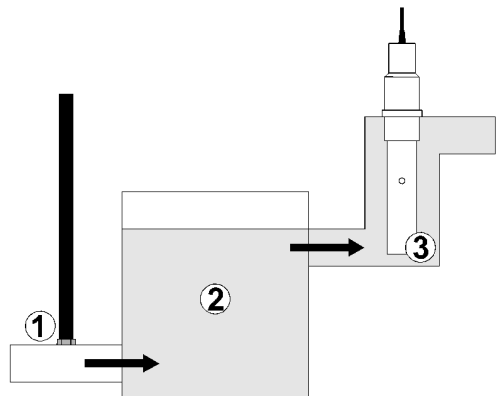
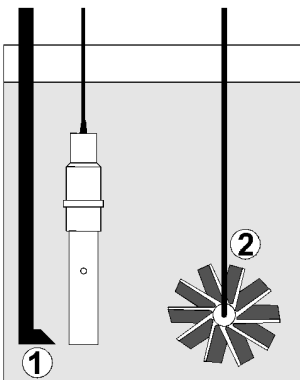


3.3 Mounting the Sensor

Mounting the sensor is a very important aspect of the installation, and is often done incorrectly. In automatic control situations, the sensor should always be mounted as close as possible to the injection point. This will cause the sensor to detect the added chemicals immediately, and shut the addition off until mixing has taken place. For in-line mounting, it is important that chemicals are injected upstream. Additionally, the line must be run through a mixing chamber, such as a large drum, to ensure that the injected chemical has mixed in properly by the time the solution flows past the sensor. There must always be adequate flow of fresh sample past the sensor, for accurate monitoring. The diagrams below show typical mounting arrangements for “dip” mounting and in-line mounting.

Dip Mounting In-line Mounting

- | | |
|--|----------------------------------|
| 1. Injection point close to sensor. | 1. Injection point upstream from |
| 2. Continuous stirring. | and close to sensor. |
| 2. Mixing container after injection | |
| and before sensor. | |
| 3. A flow-through assembly for in-line | |
| mounting is available from TPS. | |





3.4 Terminal Connections

3.4.1 Power Connections

All power connections are on the main terminal block (H1), which has 18 terminals.

Note: The power connections detailed below are for normal mains power. Refer to section 10.3 for power wiring details when the 12V DC power option is fitted.

Terminal No.	Connection	Colour
1	220 / 240V AC Active input	Brown (standard colour)
2	Duplicate 240V AC Active contact.	Brown (standard colour)
3	Duplicate 240V AC Active contact.	Brown (standard colour)
4	220 / 240V AC Earth input	Green (standard colour)
5	Duplicate 240V AC Earth contact.	Green (standard colour)
6	Duplicate 240V AC Earth contact.	Green (standard colour)
7	220 / 240V AC Neutral input	Blue (standard colour)
8	Duplicate 240V AC Neutral contact.	Blue (standard colour)
9	Duplicate 240V AC Neutral contact.	Blue (standard colour)
10	Normally Closed contact of Lower relay output	Customer Defined
11	Common contact of Lower relay output	Customer Defined
12	Normally Open contact of Lower relay output	Customer Defined
13	Normally Closed contact of Upper relay output	Customer Defined
14	Common contact of Upper relay output	Customer Defined
15	Normally Open contact of Upper relay output	Customer Defined
16	No Connection	



17	+ve of current or voltage output	Customer Defined
18	-ve of current or voltage output	Customer Defined



3.4.2 Sensor Connections

All sensor connections are on the 6-way terminal block which is on the right hand side of the enclosure.

Terminal No.	Connection	Colour
1	Salinity/TDS Sensor ATC	Blue
2	Salinity/TDS Sensor ATC	White
3	No Connection	
4	Guard	Shield/Braid (when fitted).
5	Salinity/TDS Sensor Cell	Black
6	Salinity/TDS Sensor Cell	Red



3.5 Setting the Control Limit

The Upper and Lower control limits can both be set over the full scale of the **proCHEM-S**. The unit is set up in the factory for the Upper Limit LED and relay to be activated when the reading rises **above** the Upper Limit. Similarly, the Lower Limit LED and relay are factory set to be activated when the reading drops **below** the Lower Limit.

See section 3.5.3 for details on how to re-set the Upper or Lower limits for the reverse of the default direction.

The hysteresis around the set point can be also be adjusted if necessary. See section 3.5.4 for an explanation of hysteresis.

3.5.1 *Setting the Upper Limit value*

1. Switch the **proCHEM-S** to **Set Upper Limit**.
The Upper Limit value is now displayed. Note that the Alarm LED and output relays are now disabled. The 4-20mA or 0-1V outputs are still active, and proportional to displayed value.
2. Adjust the **Set Upper Limit** control until the display reads the desired set point value.

3.5.2 *Setting the Lower Limit value*

1. Switch the **proCHEM-S** to **Set Lower Limit**.
The Lower Limit value is now displayed. Note that the Alarm LED and output relays are now disabled. The 4-20mA or 0-1V outputs are still active, and proportional to displayed value.
2. Adjust the **Set Lower Limit** control until the display reads the desired set point value.

3.5.3 Reversing the default control direction

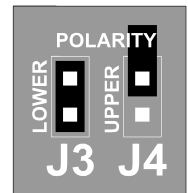
The Upper Limit control action can be reversed to activate the Upper Limit LED and relay when the reading drops **below** the Upper Limit.

Similarly, the Lower Limit control action can be reversed to activate the Lower Limit LED and relay when the reading rises **above** the Lower Limit.

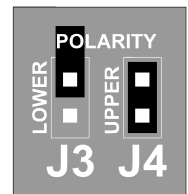
Having two Limits acting in the same direction can be very useful for processes where the readings always drift in one direction. It allows the operator to set the first Limit as a control point (eg to start a dosing pump), and the second limit beyond that as an alarm point, in case the control action was not effective.

The **proCHEM-S** must be switched OFF before changing jumper settings.

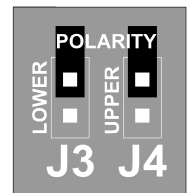
To reverse the action of the Lower Limit, and have two Limits that activate the High and Low LED's and relays when the reading rises **above** the Limits, set the J3 and J4 jumpers as shown.



To reverse the action of the Upper Limit, and have two Limits that activate the High and Low LED's and relays when the reading drops **below** the Limits, set the J3 and J4 jumpers as shown.



To re-set the action of the Upper and Lower limits to factory defaults, set the J3 and J4 jumpers as shown





3.5.4 *Adjusting the Hysteresis*

The hysteresis is the Salinity/TDS range over which the alarm/control output remains switched on, once the trip point has been exceeded.

For example, if the Lower Limit is set to 2.00 ppK, with a hysteresis of ± 0.10 ppK, the alarm/control output is switched ON when the reading goes to 1.90 (i.e. $2.00 - 0.10$). The output is not switched OFF until the reading goes back up to 2.10 (i.e. $2.00 + 0.10$).

The hysteresis stops the relay “chattering” around the set point, by providing a buffer between the points at which the output is switched ON and OFF. This feature can significantly increase the life of pumps and solenoid valves.

The factory-set hysteresis is approximately ± 10 digits (regardless of decimal point location), as in the example above. The hysteresis can be increased to as high as ± 40 digits with the relevant **LOWER HYST** (RV2) or **UPPER HYST** (RV4) trimmers in the terminal area. Turning the trimmer clockwise increases the hysteresis and turning it anti-clockwise decreases the hysteresis.

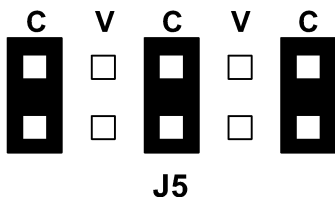
TPS DOES NOT recommend that this setting be altered, unless it is absolutely necessary.

The hysteresis trimmer should only be adjusted a little at time. The process being controlled should then be closely monitored over a time to ensure that the desired control is being achieved.

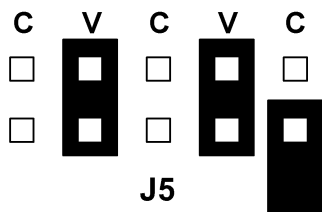
3.6 Selecting Current or Voltage Output

The **Current/Voltage Output** jumpers in terminal section can be user-set for either 4 to 20mA or 0 to 1V DC output. The **proCHEM-S** must be switched OFF before changing jumper settings.

The jumper settings for 4 to 20 mA output are:



The jumper settings for 0 to 1V DC output are:

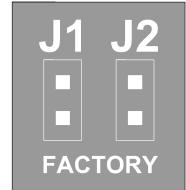


Note that the spare jumper has been fitted to a spare **Current/Voltage Output** jumper pin. This is a safe place to keep it, in case the **proCHEM-S** needs to be reset to current output in the future.

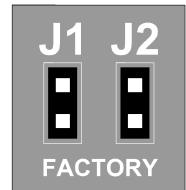
3.7 Selecting Standard or Custom 4 to 20 mA Output

The **proCHEM-S** is normally supplied to provide 4 to 20 mA for the full scale of the readout. If a custom 4 to 20 mA output (eg. 4 to 20 mA output for 700 to 1000 counts) is supplied, the user can still change between this custom output and the normal 4 to 20 mA output for full scale.

The jumper settings for the standard 4 to 20 mA output are...



The jumper settings for the custom 4 to 20 mA output are...





3.8 Calibrating the 4 to 20mA Output

The 4 to 20mA output of the **proCHEM-S** is factory calibrated. However, TPS has provided calibration controls for the 4mA and 20mA points in case this requires adjustment in the field.

Calibrating the 4 to 20mA output...

1. Connect a Digital Milliamp Meter between terminals 17 and 18.
2. Switch the **proCHEM-S** to **Set Upper Limit**.
3. Adjust the **Set Upper Limit** control until the display reads 0.00 (for the standard 4 to 20mA output) or the Salinity/TDS that corresponds to 4 mA (for a custom 4 to 20 mA output).
4. Adjust the **4-20mA ZERO** (RV1) trimmer in the terminal area until the Digital Milliamp Meter reads 4 mA.
5. Adjust the **Set Upper Limit** control until the display reads 1000, regardless of decimal point location (for the standard 4 to 20mA output) or the Salinity/TDS that corresponds to 20 mA (for a custom 4 to 20 mA output).
6. Adjust the **4-20mA SPAN** (RV3) trimmer in the terminal area until the Digital Milliamp Meter reads 20 mA.

*In the event that the **LIMIT** control does not have sufficient adjustment to reach 0.00 or 1000, calculate the expected output level and use this for calibration. Remember that the difference between 0 and 1000 is to be made 16mA.*



4. Calibration

4.1 Calibration Procedure

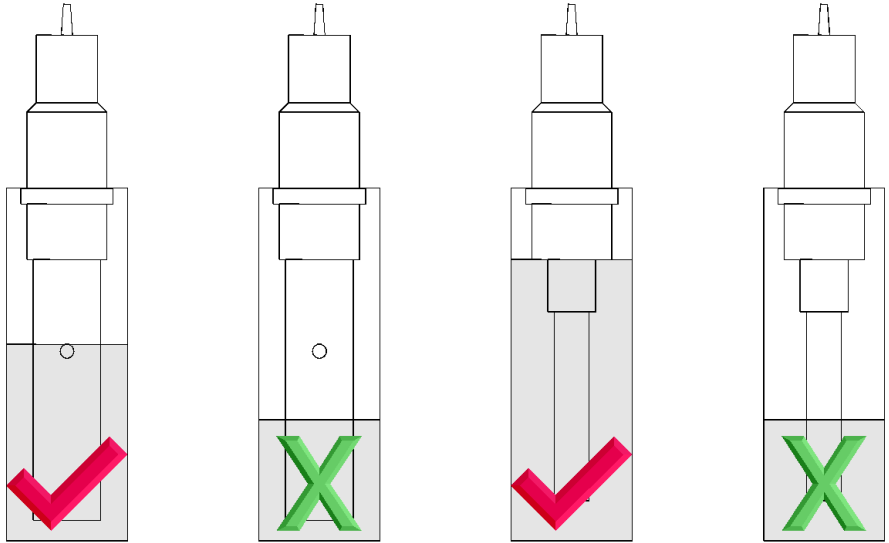
1. Switch the **proCHEM-S** on.
2. Ensure that the Salinity/TDS sensor is correctly connected (see section 3.4.2).
3. Set the function switch to **Calibrate**, to ensure that the relay outputs are not activated during calibration.
4. For the GK-1 sensor (part no 112206), ensure that the white protective cover is fitted with the vent hole towards the cable end of the sensor.
5. Rinse the Salinity/TDS sensor in distilled water and blot dry.

Zero Calibration

6. Shake the Salinity/TDS sensor dry and hang it in air. **DO NOT** wipe the platinised platinum electrode surface, as this will remove the platinum-black layer.
7. When the reading has stabilised, adjust the **Zero** control until the display reads exactly zero.

Span Calibration

8. Place the Salinity/TDS sensor into a small sample of Salinity/TDS standard. A suitable standard should be chosen for the display range of the unit.
9. For GK-1 (part no 112206) and GK-10 (part no 112207) sensors, ensure that they are immersed at least to the vent hole in the white plastic cover. The GK-0.1 (part no 112205) sensor does not have a cover, so it should be immersed to the large thread (see diagrams over the page).



**GK-1 and GK-10
Sensors**

GK-0.1 Sensor

10. When the reading has stabilised, adjust the **Span** control until the display shows the value of the standard.
11. Rinse the Salinity/TDS sensor in distilled water and blot dry.
12. The **proCHEM-S** is now calibrated and ready for Salinity/TDS measurements.

4.2 Calibration Notes

1. The Zero calibration is quite stable long term, and only needs to be performed monthly as a routine check. In applications where the sensor can become dirty or coated with oils etc., a Zero calibration may need to be done weekly.
2. A Span calibration should be performed at least weekly. Of course, more frequent calibration will result in greater confidence in results.



5. Process Monitoring

Once the **proCHEM-S** has been installed, connected and calibrated, it can be used for continuous monitoring. To monitor the process, **WITHOUT** any control or alarm functions switch the function switch to **Calibrate**.

6. Automatic Control

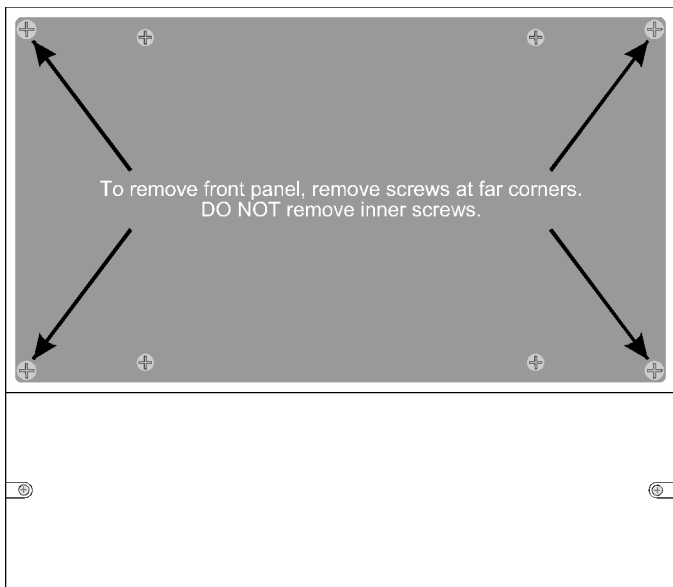
For Automatic Alarming or Control, switch the function switch to **Automatic Control** to enable the Alarm LED's and the relay outputs. These will be switched ON while the Salinity/TDS exceeds the limit value, and will switch OFF once the Salinity/TDS is back within the limit.

7. Fuse Replacement

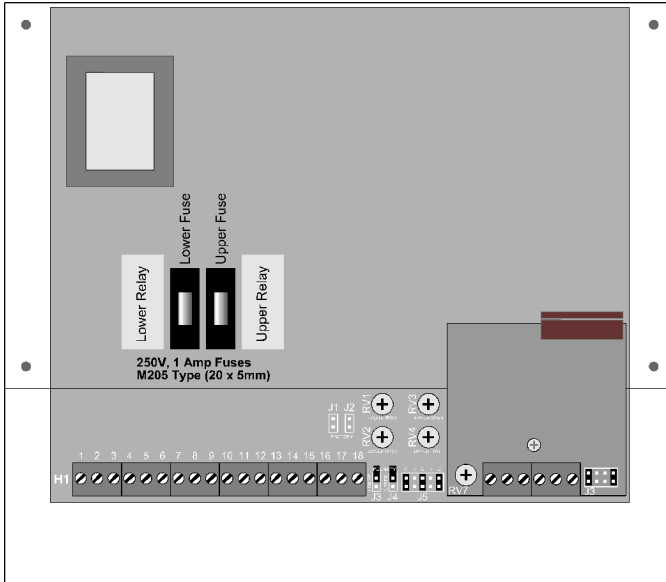
If the current drain from any device connected to the output relay exceeds 1 Amp, the output protection fuse will blow.

To replace the fuse...

1. SWITCH THE **proCHEM-S** OFF.
2. Remove the main front panel by unscrewing the 4 screws at each corner and pulling out. Caution : The front circuit board is connected to the rear circuit board with a ribbon cable, so care must be taken.



3. Locate the fuse holders, and pull out the black fuse carrier of the blown fuse.



4. Replace the blown fuse with a 250V 1 Amp, M205 type. M205 fuses are 20 x 5 mm.
5. Push the fuse carrier with the new fuse back into place.

ALWAYS REPLACE THE FUSE WITH A 1 AMP, 240V FUSE. USING A FUSE WITH HIGHER CURRENT RATING MAY DAMAGE YOUR CONTROLLER, VOIDING THE WARRANTY.

Before switching the **proCHEM-S** back to **Automatic Control** mode, ensure that the cause of the blown fuse has been eliminated.

If the current drain of the device connected to the relay output is greater than 1 Amp, an external contactor should be used. Please consult an electrical contractor or TPS for details.

8. Troubleshooting

8.1 Instrument Function Troubleshooting

Symptom	Possible Causes	Remedy
No display	<ol style="list-style-type: none"> 1. Mains power input not switched on. 2. Mains power input incorrectly connected. 3. Instrument is faulty. 	<p>Switch power ON.</p> <p>Check connections (see section 3.4.1).</p> <p>Return to TPS for repair.</p>
Alarm LED or relay output do not operate when limit is exceeded.	<ol style="list-style-type: none"> 1. Limit not set correctly for “too high” or “too low” alarm/control. 2. Hysteresis too large. 3. Fuse has blown. 4. Instrument is faulty. 	<p>Set the J3 or J4 Polarity jumpers correctly (see section 3.5.3).</p> <p>Check and adjust the Hysteresis trimmer (see section 3.5.4). If in doubt, set this to minimum level.</p> <p>Check and replace fuse if necessary (see section 7).</p> <p>Return to TPS for repair.</p>
Incorrect analogue output signal.	<ol style="list-style-type: none"> 1. Current/Voltage Output jumpers incorrectly set for required output. 2. 4-20mA loop resistance too high. 3. Load on 0-1V DC output is too low. 4. 4-20mA output is not calibrated. 5. Instrument is faulty. 	<p>Check that the Current/Voltage Output jumpers are correctly set for 4-20mA or 0-1V, as per requirements. Adjust if necessary (see section 3.6).</p> <p>Ensure loop resistance does not exceed 500 Ohms.</p> <p>Ensure load is 1000 Ohms minimum.</p> <p>Calibrate 4-20mA output (see section 3.7).</p> <p>Return to TPS for repair.</p>

8.2 Salinity/TDS Troubleshooting

Symptom	Possible Causes	Remedy
Zero calibration fails (insufficient range with ZERO control).	<ol style="list-style-type: none"> 1. Electrode has Zero error. 2. Sensor is faulty. 	<p>Thoroughly rinse electrode in distilled water and allow to completely dry in air before attempting zero calibration.</p> <p>If instrument does not calibrate at Zero with electrode disconnected, then the instrument is faulty.</p> <p>Replace sensor.</p>
Standard calibration fails, reading is too low and cannot be adjusted high enough.	<ol style="list-style-type: none"> 1. Electrode is not immersed deeply enough. 2. Electrode may have a build-up of dirt or oily material on electrode wires. 3. Platinum-black coating has worn off. 4. Standard solution is inaccurate. 5. Electrode is faulty. 	<p>Immerse electrode at least to the vent hole in the white plastic cover.</p> <p>Clean electrode, as per the instructions detailed in section 10.2.2.</p> <p>Electrode requires replatinisation.</p> <p>Return to the factory, or see details in section 10.2.3.</p> <p>Replace standard solution.</p> <p>Return electrode to factory for repair or replacement.</p>
Standard calibration fails, reading is too high and cannot be adjusted low enough.	<ol style="list-style-type: none"> 1. White protective cover is not fitted (GK-1 sensor). 2. Standard solution is inaccurate. 3. Electrode may have a build-up of conductive material, such as salt. 4. Electrode is faulty. 	<p>The white protective cover MUST be fitted for correct readings for GK-1 sensor.</p> <p>Replace standard solution.</p> <p>Clean electrode, as per the instructions detailed in section 10.2.2.</p> <p>Return electrode to factory for repair or replacement.</p>

Continued next page...



Salinity/TDS Troubleshooting, continued...

<p>Inaccurate readings, even when calibration is successful.</p>	<ol style="list-style-type: none"> 1. Electrode may have a build-up of dirt or oily material on electrode wires. 2. Platinum-black coating has worn off. 	<p>Clean electrode, as per the instructions detailed in section 10.2.2.</p> <p>Electrode requires replatinisation. Return to the factory, or see details in section 10.2.3.</p>
<p>Readings drift.</p>	<ol style="list-style-type: none"> 1. Electrode may have a build-up of dirt or oily material on electrode wires. 	<p>Clean electrode, as per the instructions detailed in section 10.2.2.</p>
<p>Readings are low or near zero.</p>	<ol style="list-style-type: none"> 1. Electrode may have a build-up of dirt or oily material on electrode wires. 2. Electrode is not immersed deeply enough. 3. Electrode is faulty. 	<p>Clean electrode, as per the instructions detailed in section 10.2.2.</p> <p>Immerse electrode at least to the vent hole in the white plastic cover.</p> <p>Return electrode to factory for repair or replacement.</p>



9. Warranty

TPS Pty. Ltd. guarantees all instruments and electrodes to be free from defects in material and workmanship when subjected to normal use and service. This guarantee is expressly limited to the servicing and/or adjustment of an instrument returned to the Factory, or Authorised Service Agent, freight prepaid, within twelve (12) months from the date of delivery, and to the repairing, replacing, or adjusting of parts which upon inspection are found to be defective. Warranty period on electrodes is three (3) months.

There are no express or implied warranties which extend beyond the face hereof, and TPS Pty. Ltd. is not liable for any incidental or consequential damages arising from the use or misuse of this equipment, or from interpretation of information derived from the equipment.

Shipping damage is not covered by this warranty.

PLEASE NOTE:

A guarantee card is packed with the instrument or electrode. This card must be completed at the time of purchase and the registration section returned to TPS Pty. Ltd. within 7 days. No claims will be recognised without the original guarantee card or other proof of purchase. This warranty becomes invalid if modifications or repairs are attempted by unauthorised persons, or the serial number is missing.

PROCEDURE FOR SERVICE

If you feel that this equipment is in need of repair, please re-read the manual. Sometimes, instruments are received for "repair" in perfect working order. This can occur where batteries simply require replacement or re-charging, or where the electrode simply requires cleaning or replacement.

TPS Pty. Ltd. has a fine reputation for prompt and efficient service. In just a few days, our factory service engineers and technicians will examine and repair your equipment to your full satisfaction.



TO OBTAIN THIS SERVICE, PLEASE FOLLOW THIS PROCEDURE:

Return the instrument AND ALL SENSORS to TPS freight pre-paid and insured in its original packing or suitable equivalent. INSIST on a proof of delivery receipt from the carrier for your protection in the case of shipping claims for transit loss or damage. It is your responsibility as the sender to ensure that TPS receives the unit.

Please check that the following is enclosed with your equipment (our service form is available on our website www.tps.com.au) :

- **Your Name and daytime phone number.**
- **Your company name, ORDER number, and return street address.**
- **A description of the fault. (Please be SPECIFIC.)**
(Note: "Please Repair" does NOT describe a fault.)

Your equipment will be repaired and returned to you by air express where possible.

For out-of-warranty units, a repair cost will be calculated from parts and labour costs. If payment is not received for the additional charges within 30 days, or if you decline to have the equipment repaired, the complete unit will be returned to you freight paid, not repaired. For full-account customers, the repair charges will be debited to your account.

- **Always describe the fault in writing.**
- **Always return the sensors with the meter.**

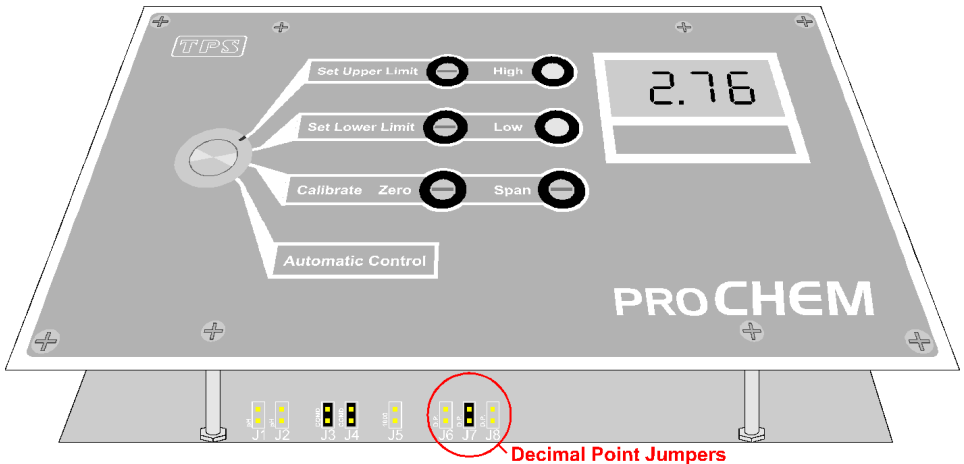
10. Appendices

10.1 Re-setting the Display Range

The range of the **proCHEM-S** may be re-set using the table of jumper settings shown over the page. Refer to the diagram in section 3.1 for the location of the **J3** and **J4** jumper blocks.

The diagram below shows the location of the jumper blocks which set the decimal point position. This is accessed by removing the front panel of the unit (as described in section 7, Fuse Replacement). The circuit board does not need to be separated from the panel, as there is sufficient clearance to change the jumper settings.

Attach spare jumpers off single unused pins for safe storage.





proCHEM-S Range Settings...

Range	Sensor k-factor		
	k=0.1	k=1.0	k=10
0 to 10.00 ppM	<p>A B</p> <p>1 2 1 2 3 4</p> <p>• [] • [] • [] • []</p> <p>• [] • [] • [] • []</p> <p>Decimal Point</p> <p>• [] • []</p>	This range not available for k=1.0 sensor	This range not available for k=10 sensor
0 to 100.0 ppM	<p>A B</p> <p>1 2 1 2 3 4</p> <p>• [] • [] • [] • []</p> <p>• [] • [] • [] • []</p> <p>Decimal Point</p> <p>• [] • []</p>	<p>A B</p> <p>1 2 1 2 3 4</p> <p>• [] • [] • [] • []</p> <p>• [] • [] • [] • []</p> <p>Decimal Point</p> <p>• [] • []</p>	This range not available for k=10 sensor
0 to 1000 ppM	<p>A B</p> <p>1 2 1 2 3 4</p> <p>• [] • [] • [] • []</p> <p>• [] • [] • [] • []</p> <p>Decimal Point</p> <p>• [] • []</p>	<p>A B</p> <p>1 2 1 2 3 4</p> <p>• [] • [] • [] • []</p> <p>• [] • [] • [] • []</p> <p>Decimal Point</p> <p>• [] • []</p>	<p>A B</p> <p>1 2 1 2 3 4</p> <p>• [] • [] • [] • []</p> <p>• [] • [] • [] • []</p> <p>Decimal Point</p> <p>• [] • []</p>
0 to 1.000 ppK (This is the same range as above. Only the decimal point jumper is changed)	<p>A B</p> <p>1 2 1 2 3 4</p> <p>• [] • [] • [] • []</p> <p>• [] • [] • [] • []</p> <p>Decimal Point</p> <p>• [] • []</p>	<p>A B</p> <p>1 2 1 2 3 4</p> <p>• [] • [] • [] • []</p> <p>• [] • [] • [] • []</p> <p>Decimal Point</p> <p>• [] • []</p>	<p>A B</p> <p>1 2 1 2 3 4</p> <p>• [] • [] • [] • []</p> <p>• [] • [] • [] • []</p> <p>Decimal Point</p> <p>• [] • []</p>
0 to 10.00 ppK	This range not available for k=0.1 sensor	<p>A B</p> <p>1 2 1 2 3 4</p> <p>• [] • [] • [] • []</p> <p>• [] • [] • [] • []</p> <p>Decimal Point</p> <p>• [] • []</p>	<p>A B</p> <p>1 2 1 2 3 4</p> <p>• [] • [] • [] • []</p> <p>• [] • [] • [] • []</p> <p>Decimal Point</p> <p>• [] • []</p>
0 to 100.0 ppK	This range not available for k=0.1 sensor	This range not available for k=1.0 sensor	<p>A B</p> <p>1 2 1 2 3 4</p> <p>• [] • [] • [] • []</p> <p>• [] • [] • [] • []</p> <p>Decimal Point</p> <p>• [] • []</p>



10.2 Care, Cleaning and Maintenance of Salinity/TDS Electrodes

10.2.1 Care of Salinity/TDS electrodes

The Salinity/TDS section of the electrode supplied with your **proCHEM-S** consists of two platinum wires that are plated with a layer of “platinum-black”. This is quite a soft layer and is required for stable, accurate measurements. In time, the platinum-black layer may wear off in some applications, at which time the electrode will require replatinising (see section 10.2.3). You can help to maintain the platinum-black layer by following these simple rules:

1. **NEVER** touch or rub the electrode wires with your fingers, cloth etc.
2. Avoid using the electrode in solutions that contain a high concentration of suspended solids, such as sand or soil, which can abrade the electrode wires. Filter these types of solutions first, if possible.
3. Avoid concentrated acids. If you must measure acids, remove the electrode immediately after taking the measurement and rinse well with distilled water.

Salinity/TDS electrodes can be stored dry. Ensure that the electrode is stored in a covered container, to avoid dust and dirt build-up.

10.2.2 Cleaning of Salinity/TDS of Electrodes

Platinised platinum Salinity/TDS electrodes can only be cleaned by rinsing in a suitable solvent. **DO NOT wipe the electrode wires**, as this will remove the platinum-black layer.

1. Rinsing in distilled water will remove most build-ups of material on the electrode wires.
2. Films of oils or fats on the electrode wires can usually be removed by rinsing the electrode in methylated spirits.
3. Stubborn contamination can be removed by soaking the electrode in a solution of 1 part Concentrated HCl and 10 parts distilled water. The electrode should not be soaked for more than approximately 5 minutes, otherwise the platinum-black layer may start to dissolve.
4. If all of these methods fail, then the last resort is to physically scrub the electrode wires, which will remove the contaminant and the layer of platinum-black. Use only a cloth or nylon scouring pad. **DO NOT USE**



STEEL WOOL. The electrode will then need to be cleaned in HCl, as per step 3 and replatinised, as per section 10.2.3.



10.2.3 Replatinising Salinity/TDS Electrodes

There are several ways to replatinise Salinity/TDS electrodes.

1. The simplest way is to return the electrode to the TPS factory. We can fully clean the electrode, replatinise it and test all aspects of its performance.
2. An automatic replatiniser is available from TPS, along with replatinising solution. This will plate the electrodes for the right amount of time at the correct current. Ordering details are as follows:
Automatic Salinity/TDS Electrode Replatiniser Part No 122160
20mL Platinising Solution (suitable for approx 30 uses) Part No 122300
3. Salinity/TDS electrodes can be manually replatinised, according to the following procedure:
 - 1) Soak the electrode in a solution of 1 part Concentrated HCl and 10 parts distilled water for approximately 5 minutes.
 - 2) Rinse the electrode well in distilled water.
 - 3) Immerse the electrode in platinising solution to the same level as for calibration (see section 4). Platinising solution is available from TPS (part no 122300). Alternatively, platinising solution can be prepared by dissolving 1g of Hydrogen Chloroplatinate (H_2PtCl_6) in 30mL of distilled water, and including about 0.01g of Lead Acetate ($(\text{CH}_3\text{COO})_2\text{Pb}$) and a drop or two of concentrated HCl.
 - 4) Apply a direct current of 10mA between red and black wires of the electrode cable, as per the diagram below. Reverse the polarity every 30 seconds. After approximately 8 minutes (4 minutes per electrode wire), they should have an even “soot” like appearance. Avoid excess current and this will cause incorrect platinising.
 - 5) After platinising, rinse the electrode well in distilled water.
 - 6) If you have any doubts about any of these steps, then you should consider returning the electrode to the factory. The cost of replatinising is quite low, and you will be guaranteed of the best possible result.



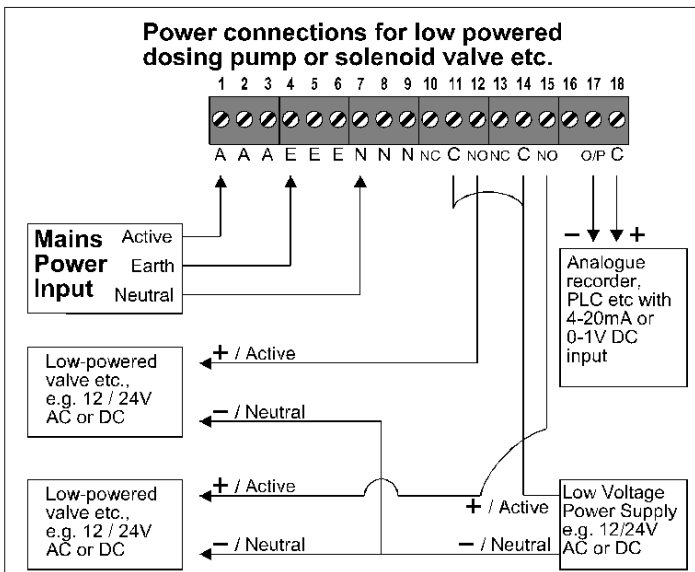
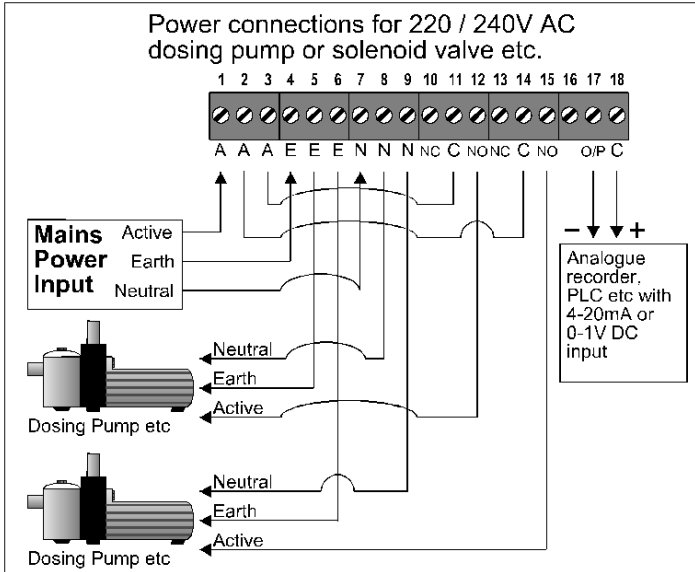
10.3 Power Terminal connections when 12V DC option is fitted

Terminal No.	Connection
1	Negative of 12V DC Input
2	No connection for 12V DC version.
3	No connection for 12V DC version.
4	No connection for 12V DC version.
5	No connection for 12V DC version.
6	No connection for 12V DC version.
7	Positive of 12V DC Input
8	No connection for 12V DC version.
9	No connection for 12V DC version.
10	Normally Closed contact of Lower relay output
11	Common contact of Lower relay output
12	Normally Open contact of Lower relay output
13	Normally Closed contact of Upper relay output
14	Common contact of Upper relay output
15	Normally Open contact of Upper relay output
16	No Connection
17	+ve of current or voltage output
18	-ve of current or voltage output



10.4 Relay Output Wiring Examples for mains powered units

The diagrams below provide some examples of wiring the relay outputs for standard mains powered **proCHEM-S** units.



10.5 Relay Output Wiring Examples for 12V DC powered units

The diagrams below provide some examples of wiring the relay output for **proCHEM-S** units with the 12V DC power option.

