

Service Manual

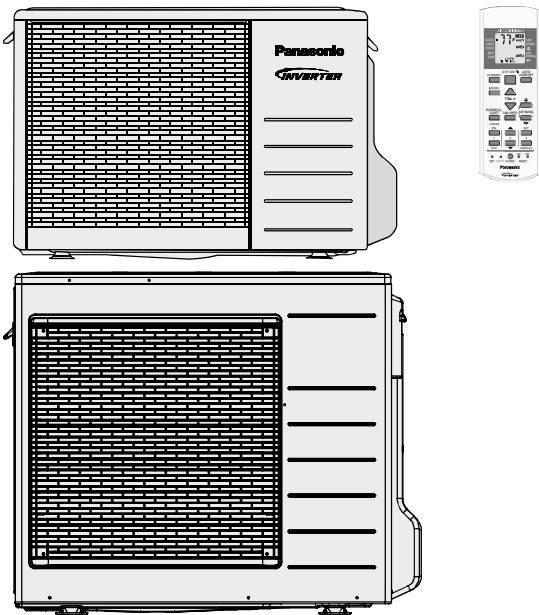
Air Conditioner



Indoor Unit
CS-E9RKUAW
CS-E12RKUAW
CS-E18RKUAW
CS-E24RKUAW

Outdoor Unit
CU-E9RKUA
CU-E12RKUA
CU-E18RKUA
CU-E24RKUA

Destination
USA
Canada



Please file and use this manual together with the service manual for Model No. CU-2E18NBU and CU-5E36QBU, Order No. PHAAM1111120A1 and PAPAMY1312037CE.

WARNING

This service information is designed for experienced repair technicians only and is not designed for use by the general public. It does not contain warnings or cautions to advise non-technical individuals of potential dangers in attempting to service a product. Products powered by electricity should be serviced or repaired only by experienced professional technicians. Any attempt to service or repair the products dealt with in this service information by anyone else could result in serious injury or death.

PRECAUTION OF LOW TEMPERATURE



In order to avoid frostbite, be assured of no refrigerant leakage during the installation or repairing of refrigerant circuit.

TABLE OF CONTENTS


| | | | |
|---|-----------|---|------------|
| 1. Safety Precautions | 3 | 13.12 ECONAVI and AUTO COMFORT Operation | 55 |
| 2. Specification | 5 | 14. Operation Control (For Multi Split Connection) | 59 |
| 3. Features | 11 | 14.1 Cooling operation | 59 |
| 4. Location of Controls and Components | 12 | 14.2 Soft Dry Operation | 59 |
| 4.1 Indoor Unit | 12 | 14.3 Heating Operation | 59 |
| 4.2 Outdoor Unit | 12 | 14.4 Automatic Operation (For Multi Split Connection Only) | 60 |
| 4.3 Remote Control | 12 | 14.5 Indoor Fan Motor Operation | 60 |
| 5. Dimensions | 13 | 14.6 Powerful Mode Operation | 60 |
| 5.1 Indoor Unit | 13 | 14.7 Auto restart control | 60 |
| 5.2 Outdoor Unit | 15 | 14.8 Indication Panel | 60 |
| 6. Refrigeration Cycle Diagram | 16 | 15. Protection Control (E9RK and E12RK) | 61 |
| 6.1 CU-E9RKUA CU-E12RKUA | 16 | 15.1 Protection Control For All Operations | 61 |
| 6.2 CU-E18RKUA CU-E24RKUA | 17 | 15.2 Protection Control For Cooling & Soft Dry Operation | 63 |
| 7. Block Diagram | 18 | 16. Protection Control (E18RK and E24RK) | 66 |
| 7.1 CS-E9RKUAW CU-E9RKUA CS-E12RKUAW CU-E12RKUA | 18 | 16.1 Protection Control For All Operations | 66 |
| 7.2 CS-E18RKUAW CU-E18RKUA CS-E24RKUAW CU-E24RKUA | 19 | 16.2 Protection Control For Cooling & Soft Dry Operation | 67 |
| 8. Wiring Connection Diagram | 20 | 17. Servicing Mode | 70 |
| 8.1 Indoor Unit | 20 | 17.1 Auto Off/On Button | 70 |
| 8.2 Outdoor Unit | 22 | 17.2 Cooling Only Operation (Single connection Only, Multi connection please refer to Multi outdoor manual) | 71 |
| 9. Electronic Circuit Diagram | 24 | 17.3 Remote Control Button | 72 |
| 9.1 Indoor Unit | 24 | 18. Troubleshooting Guide | 73 |
| 9.2 Outdoor Unit | 26 | 18.1 Refrigeration Cycle System | 73 |
| 10. Printed Circuit Board | 28 | 18.2 Breakdown Self Diagnosis Function | 75 |
| 10.1 Indoor Unit | 28 | 18.3 Error Code Table | 76 |
| 10.2 Outdoor Unit | 30 | 18.4 Self-diagnosis Method | 78 |
| 11. Installation Instruction (E9RK and E12RK) | 33 | 19. Disassembly and Assembly Instructions ... | 107 |
| 11.1 Select the Best Location | 33 | 19.1 CS-E9RKUAW CS-E12RKUAW | 107 |
| 11.2 Indoor Unit | 34 | 19.2 CS-E18RKUAW CS-E24RKUAW | 111 |
| 11.3 Outdoor Unit | 38 | 19.3 Outdoor Electronic Controller Removal Procedure | 114 |
| 12. Installation Instruction (E18RK and E24RK) | 41 | 20. Technical Data | 116 |
| 12.1 Select the Best Location | 41 | 20.1 Cool Mode Performance Data | 116 |
| 12.2 Indoor Unit | 42 | 20.2 Heat Mode Performance Data | 120 |
| 12.3 Outdoor Unit | 46 | 21. Service Data | 122 |
| 13. Operation Control | 49 | 21.1 Cool Mode Outdoor Air Temperature Characteristic | 122 |
| 13.1 Basic Function | 49 | 21.2 Heat Mode Outdoor Air Temperature Characteristic | 126 |
| 13.2 Indoor Fan Speed Control | 50 | 21.3 Piping Length Correction Factor | 130 |
| 13.3 Indoor Fan Motor Operation | 51 | 22. Exploded View and Replacement Parts List | 132 |
| 13.4 Outdoor Fan Motor Operation | 51 | 22.1 Indoor Unit | 132 |
| 13.5 Airflow Direction | 52 | 22.2 Outdoor Unit | 138 |
| 13.6 Quiet Operation (Cooling Mode/Cooling Area of Dry Mode) | 53 | | |
| 13.7 Quiet Operation (Heating) | 54 | | |
| 13.8 Powerful Mode Operation | 54 | | |
| 13.9 Timer Control | 54 | | |
| 13.10 Auto Restart Control | 55 | | |
| 13.11 Indication Panel | 55 | | |

1. Safety Precautions






- Read the following “SAFETY PRECAUTIONS” carefully before perform any servicing.
- Electrical work must be installed or serviced by a licensed electrician. Be sure to use the correct rating of the power plug and main circuit for the model installed.
- The caution items stated here must be followed because these important contents are related to safety. The meaning of each indication used is as below. Incorrect installation or servicing due to ignoring of the instruction will cause harm or damage, and the seriousness is classified by the following indications.

| | |
|--|--|
|  WARNING | This indication shows the possibility of causing death or serious injury |
|  CAUTION | This indication shows the possibility of causing injury or damage to properties. |


- The items to be followed are classified by the symbols:

| | |
|---|---|
|  | This symbol denotes item that is PROHIBITED from doing. |
|---|---|







- Carry out test run to confirm that no abnormality occurs after the servicing. Then, explain to user the operation, care and maintenance as stated in instructions. Please remind the customer to keep the operating instructions for future reference.

|  WARNING | |
|---|---|
| 1. Do not modify the machine, part, material during repairing service. | |
| 2. If wiring unit is supplied as repairing part, do not repair or connect the wire even only partial wire break. Exchange the whole wiring unit. | |
| 3. Do not wrench the fasten terminal. Pull it out or insert it straightly. | |
| 4. Engage authorized dealer or specialist for installation and servicing. If installation of servicing done by the user is defective, it will cause water leakage, electrical shock or fire. | |
| 5. Install according to this installation instructions strictly. If installation is defective, it will cause water leakage, electric shock or fire. | |
| 6. Use the attached accessories parts and specified parts for installation and servicing. Otherwise, it will cause the set to fall, water leakage, fire or electrical shock. | |
| 7. Install at a strong and firm location which is able to withstand the set's weight. If the strength is not enough or installation is not properly done, the set will drop and cause injury. | |
| 8. For electrical work, follow the local national wiring standard, regulation and the installation instruction. An independent circuit and single outlet must be used. If electrical circuit capacity is not enough or defect found in electrical work, it will cause electrical shock or fire. | |
| 9. This equipment is strongly recommended to be installed with Earth Leakage Circuit Breaker (ELCB) or Residual Current Device (RCD). Otherwise, it may cause electrical shock and fire in case equipment breakdown or insulation breakdown. | |
| 10. Do not use joint cable for indoor/outdoor connection cable. Use the specified indoor/outdoor connection cable, refer to installation instruction CONNECT THE CABLE TO THE INDOOR UNIT and connect tightly for indoor/outdoor connection. Clamp the cable so that no external force will be acted on the terminal. If connecting or fixing is not perfect, it will cause heat up or fire at the connection. | |
| 11. Wire routing must be properly arranged so that control board cover is fixed properly. If control board cover is not fixed perfectly, it will cause heat-up or fire at the connection point of terminal, fire or electrical shock. | |
| 12. When install or relocate air conditioner, do not let any substance other than the specified refrigerant, eg. air etc. mix into refrigeration cycle (piping). (Mixing of air etc. will cause abnormal high pressure in refrigeration cycle and result in explosion, injury etc.). | |
| 13. Do not install outdoor unit near handrail of veranda. When installing air-conditioner unit at veranda of high rise building, child may climb up to outdoor unit and cross over the handrail and causing accident. | |
| 14. This equipment must be properly earthed. Earth line must not be connected to gas pipe, water pipe, earth of lightning rod and telephone. Otherwise, it may cause electrical shock in case equipment breakdown or insulation breakdown. |  |
| 15. Keep away from small children, the thin film may cling to nose and mouth and prevent breathing. |  |
| 16. Do not use unspecified cord, modified cord, joint cord or extension cord for power supply cord. Do not share the single outlet with other electrical appliances. Poor contact, poor insulation or over current will cause electrical shock or fire. |  |
| 17. Tighten the flare nut with torque wrench according to specified method. If the flare nut is over-tightened, after a long period, the flare may break and cause refrigerant gas leakage. | |
| 18. For R410A model, use piping, flare nut and tools which is specified for R410A refrigerant. Using of existing (R22) piping, flare nut and tools may cause abnormally high pressure in the refrigerant cycle (piping), and possibly result in explosion and injury. Thickness of copper pipes used with R410A must be more than 1/32" (0.8 mm). Never use copper pipes thinner than 1/32" (0.8 mm). It is desirable that the amount of residual oil is less than 0.0008 oz/ft (40 mg/10 m). |  |

 **WARNING**

19. During installation, install the refrigerant piping properly before run the compressor. (Operation of compressor without fixing refrigeration piping and valves at opened condition will cause suck-in of air, abnormal high pressure in refrigeration cycle and result in explosion, injury etc.).
20. During pump down operation, stop the compressor before remove the refrigeration piping. (Removal of refrigeration piping while compressor is operating and valves are opened condition will cause suck-in of air, abnormal high pressure in refrigeration cycle and result in explosion, injury etc.).
21. After completion of installation or service, confirm there is no leakage of refrigerant gas. It may generate toxic gas when the refrigerant contacts with fire.
22. Ventilate if there is refrigerant gas leakage during operation. It may cause toxic gas when the refrigerant contacts with fire.
23. Do not insert your fingers or other objects into the unit, high speed rotating fan may cause injury. 
24. Must not use other parts except original parts describe in catalog and manual.
25. Using of refrigerant other than the specified type may cause product damage, burst and injury etc.

 **CAUTION**

1. Do not install the unit at place where leakage of flammable gas may occur. In case gas leaks and accumulates at surrounding of the unit, it may cause fire. 
2. Carry out drainage piping as mentioned in installation instructions. If drainage is not perfect, water may enter the room and damage the furniture.
3. Tighten the flare nut with torque wrench according to specified method. If the flare nut is over-tightened, after a long period, the flare may break and cause refrigerant gas leakage.
4. Do not touch outdoor unit air inlet and aluminium fin. It may cause injury. 
5. Select an installation location which is easy for maintenance.
6. Pb free solder has a higher melting point than standard solder; typically the melting point is 50°F – 70°F (30°C – 40°C) higher. Please use a high temperature solder iron. In case of the soldering iron with temperature control, please set it to 700 ± 20°F (370 ± 10°C). Pb free solder will tend to splash when heated too high (about 1100°F / 600°C).
7. Power supply connection to the room air conditioner.
Power supply cord shall be UL listed or CSA approved 3 conductor with minimum AWG14 (For E9RK and E12RK) and AWG12 (For E18RK and E24RK) wires.
Power supply point should be in an easily accessible place for power disconnection in case of emergency.
In some countries, permanent connection of this air conditioner to the power supply is prohibited.
Fix power supply connection to a circuit breaker for permanent connection.
Use NRTL approved fuse or circuit breaker (rating refers to name plate) for permanent connection.
8. Do not release refrigerant during piping work for installation, servicing, reinstallation and during repairing a refrigerant parts. Take care of the liquid refrigerant, it may cause frostbite. 
9. Installation or servicing work: It may need two people to carry out the installation or servicing work.
10. Do not install this appliance in a laundry room or other location where water may drip from the ceiling, etc. 
11. Do not sit or step on the unit, you may fall down accidentally. 
12. Do not touch the sharp aluminium fins or edges of metal parts.
If you are required to handle sharp parts during installation or servicing, please wear hand glove.
Sharp parts may cause injury. 

2. Specification

| Model | | Indoor | CS-E9RKUAW | | | | | | CS-E12RKUAW | | | | | | |
|---------------------------------------|-----------------------------|-------------------------|---------------|----------------------------------|------------|--------------|-------|-------------------------|---------------|----------------------------------|------------|--------------|-------|-------|--|
| | | Outdoor | CU-E9RKUA | | | | | | CU-E12RKUA | | | | | | |
| Performance Test Condition | | | ARI | | | | | | ARI | | | | | | |
| Power Supply | | Phase, Hz | Single, 60 | | | | | | Single, 60 | | | | | | |
| | | V | 208 | | | 230 | | | 208 | | | 230 | | | |
| | | | Min. | Mid. | Max. | Min. | Mid. | Max. | Min. | Mid. | Max. | Min. | Mid. | Max. | |
| Cooling | Capacity | kW | 1.20 | 2.64 | 3.00 | 1.20 | 2.64 | 3.00 | 1.20 | 3.36 | 3.90 | 1.20 | 3.36 | 3.90 | |
| | | BTU/h | 4100 | 9000 | 10200 | 4100 | 9000 | 10200 | 4100 | 11500 | 13300 | 4100 | 11500 | 13300 | |
| | Running Current | A | - | 3.6 | - | - | 3.2 | - | - | 4.7 | - | - | 4.2 | - | |
| | Input Power | W | 250 | 690 | 850 | 250 | 690 | 850 | 250 | 920 | 1.15k | 250 | 920 | 1.15k | |
| | EER | W/W | 4.80 | 3.83 | 3.53 | 4.80 | 3.83 | 3.53 | 4.80 | 3.65 | 3.39 | 4.80 | 3.65 | 3.39 | |
| | | Btu/hW | 16.40 | 13.00 | 12.00 | 16.40 | 13.00 | 12.00 | 16.40 | 12.50 | 11.55 | 16.40 | 12.50 | 11.55 | |
| | Power Factor | % | - | 92 | - | - | 94 | - | - | 94 | - | - | 95 | - | |
| | Indoor Noise (H / L / QLo) | dB-A | 40 / 25 / 20 | | | 40 / 25 / 20 | | | 43 / 28 / 20 | | | 43 / 28 / 20 | | | |
| | | Power Level dB | 56 / - / - | | | 56 / - / - | | | 59 / - / - | | | 59 / - / - | | | |
| | Outdoor Noise (H / L / QLo) | dB-A | 47 / - / - | | | 47 / - / - | | | 48 / - / - | | | 48 / - / - | | | |
| Power Level dB | | 62 / - / - | | | 62 / - / - | | | 63 / - / - | | | 63 / - / - | | | | |
| Heating | Capacity | kW | 1.20 | 3.52 | 4.14 | 1.20 | 3.52 | 4.14 | 1.20 | 4.05 | 4.77 | 1.20 | 4.05 | 4.77 | |
| | | BTU/h | 4100 | 12000 | 14100 | 4100 | 12000 | 14100 | 4100 | 13800 | 16300 | 4100 | 13800 | 16300 | |
| | Running Current | A | - | 5.7 | - | - | 5.1 | - | - | 6.3 | - | - | 5.6 | - | |
| | Input Power | W | 200 | 1.12k | 1.50k | 200 | 1.12k | 1.50k | 200 | 1.25k | 1.71k | 200 | 1.25k | 1.71k | |
| | COP | W/W | 6.00 | 3.14 | 2.76 | 6.00 | 3.14 | 2.76 | 6.00 | 3.24 | 2.79 | 6.00 | 3.24 | 2.79 | |
| | | Btu/hW | 20.50 | 10.70 | 9.40 | 20.50 | 10.70 | 9.40 | 20.50 | 11.00 | 9.50 | 20.50 | 11.00 | 9.50 | |
| | Power Factor | % | - | 94 | - | - | 95 | - | - | 95 | - | - | 97 | - | |
| | Indoor Noise (H / L / QLo) | dB-A | 42 / 29 / 26 | | | 42 / 29 / 26 | | | 44 / 35 / 32 | | | 44 / 35 / 32 | | | |
| | | Power Level dB | 58 / - / - | | | 58 / - / - | | | 60 / - / - | | | 60 / - / - | | | |
| | Outdoor Noise (H / L / QLo) | dB-A | 48 / - / - | | | 48 / - / - | | | 49 / - / - | | | 49 / - / - | | | |
| Power Level dB | | 63 / - / - | | | 63 / - / - | | | 64 / - / - | | | 64 / - / - | | | | |
| Max Current (A) / Max Input Power (W) | | | 7.0 / 1.57k | | | | | | 7.8 / 1.71k | | | | | | |
| Starting Current (A) | | | 5.7 | | | | | | 6.3 | | | | | | |
| Min Circuit Ampacity | | | 15.0 | | | | | | 15.0 | | | | | | |
| Max. Current Protection | | | 15.0 | | | | | | 15.0 | | | | | | |
| SEER / HSPF | | | 23.00 / 11.00 | | | | | | 22.50 / 11.00 | | | | | | |
| Compressor | Type | Hermetic Motor / Rotary | | | | | | Hermetic Motor / Rotary | | | | | | | |
| | Motor Type | Brushless (4 poles) | | | | | | Brushless (4 poles) | | | | | | | |
| | Output Power | W | 700 | | | | | | 700 | | | | | | |
| Indoor Fan | Type | Cross-flow fan | | | | | | Cross-flow fan | | | | | | | |
| | Material | ASG20K1 | | | | | | ASG20K1 | | | | | | | |
| | Motor Type | DC (8 poles) | | | | | | DC (8 poles) | | | | | | | |
| | Input Power | W | 47.0 - 47.0 | | | | | | 47.0 - 47.0 | | | | | | |
| | Output Power | W | 40 | | | | | | 40 | | | | | | |
| | Speed | QLo | rpm | Cooling : 610 Heating : 730 | | | | | | Cooling : 620 Heating : 940 | | | | | |
| | | Lo | rpm | Cooling : 710 Heating : 830 | | | | | | Cooling : 780 Heating : 1040 | | | | | |
| | | Me | rpm | Cooling : 910 Heating : 1040 | | | | | | Cooling : 1000 Heating : 1210 | | | | | |
| | | Hi | rpm | Cooling : 1120 Heating : 1250 | | | | | | Cooling : 1230 Heating : 1380 | | | | | |
| | | SHi | rpm | Cooling : 1210 Heating : 1340 | | | | | | Cooling : 1350 Heating : 1450 | | | | | |

| Model | | Indoor | CS-E9RKUAW | CS-E12RKUAW |
|------------------------|------------------------------|--|--|--|
| | | Outdoor | CU-E9RKUA | CU-E12RKUA |
| Outdoor Fan | Type | | Propeller | Propeller |
| | Material | | PP | PP |
| | Motor Type | | DC (8 poles) | DC (8 poles) |
| | Input Power | W | - | - |
| | Output Power | W | 40 | 40 |
| | Speed | Hi | rpm | C: 830 H: 780 |
| Moisture Removal | | L/h (Pt/h) | 0.6 (1.3) | 0.8 (1.7) |
| Indoor Airflow | QLo | m ³ /min (ft ³ /min) | Cooling : 6.28 (222) Heating : 7.08 (250) | Cooling : 5.97 (211) Heating : 9.37 (331) |
| | Lo | m ³ /min (ft ³ /min) | Cooling : 7.40 (261) Heating : 8.20 (290) | Cooling : 7.76 (274) Heating : 10.49 (370) |
| | Me | m ³ /min (ft ³ /min) | Cooling : 9.64 (340) Heating : 10.55 (373) | Cooling : 10.22 (361) Heating : 12.40 (438) |
| | Hi | m ³ /min (ft ³ /min) | Cooling : 12.0 (425) Heating : 12.9 (455) | Cooling : 12.8 (450) Heating : 14.3 (505) |
| | SHi | m ³ /min (ft ³ /min) | Cooling : 13.00 (459) Heating : 13.91 (491) | Cooling : 14.14 (499) Heating : 15.08 (532) |
| Outdoor Airflow | Hi | m ³ /min (ft ³ /min) | Cooling : 31.0 (1095) Heating : 31.0 (1095) | Cooling : 31.2 (1100) Heating : 31.2 (1100) |
| Refrigeration Cycle | Control Device | | Expansion Valve | Expansion Valve |
| | Refrigerant Oil | cm ³ | FV50S (320) | FV50S (320) |
| | Refrigerant Type | g (oz) | R410A, 980 (34.6) | R410A, 1.08k (38.1) |
| Dimension | Height(I/D / O/D) | mm (inch) | 290 (11-7/16) / 540 (21-9/32) | 290 (11-7/16) / 540 (21-9/32) |
| | Width (I/D / O/D) | mm (inch) | 870 (34-9/32) / 780 (30-23/32) | 870 (34-9/32) / 780 (30-23/32) |
| | Depth (I/D / O/D) | mm (inch) | 214 (8-7/16) / 289 (11-13/32) | 214 (8-7/16) / 289 (11-13/32) |
| Weight | Net (I/D / O/D) | kg (lb) | 9 (20) 37 (82) | 9 (20) 37 (82) |
| Piping | Pipe Diameter (Liquid / Gas) | mm (inch) | 6.35 (1/4) / 9.52 (3/8) | 6.35 (1/4) / 12.70 (1/2) |
| | Standard length | m (ft) | 7.5 (24.6) | 7.5 (24.6) |
| | Length range (min – max) | m (ft) | 3 (9.8) ~ 20 (65.6) | 3 (9.8) ~ 20 (65.6) |
| | I/D & O/D Height different | m (ft) | 15 (49.2) | 15 (49.2) |
| | Additional Gas Amount | g/m (oz/ft) | 20 (0.2) | 20 (0.2) |
| | Length for Additional Gas | m (ft) | 7.5 (24.6) | 7.5 (24.6) |
| Drain Hose | Inner Diameter | mm (inch) | 16.7 (5/8) | 16.7 (5/8) |
| | Length | mm (inch) | 650 (25-5/8) | 650 (25-5/8) |
| Indoor Heat Exchanger | Fin Material | | Aluminium (Pre Coat) | Aluminium (Pre Coat) |
| | Fin Type | | Slit Fin | Slit Fin |
| | Row x Stage x FPI | | 2 x 15 x 21 | 2 x 15 x 21 |
| | Size (W x H x L) | inch | 1 x 12-13/32 x 24 | 1 x 12-13/32 x 24 |
| Outdoor Heat Exchanger | Fin Material | | Aluminium (Blue coated) | Aluminium (Blue coated) |
| | Fin Type | | Corrugate Fin | Corrugate Fin |
| | Row x Stage x FPI | | 2 x 24 x 17 | 2 x 24 x 17 |
| | Size (W x H x L) | inch | 1-13/32 x 19-13/16 x 28-1/16 26-7/8 | 1-13/32 x 19-13/16 x 32-7/16 31-1/4 |
| Air Filter | Material | | Polypropelene | Polypropelene |
| | Type | | One-touch | One-touch |
| Power Supply | | | Outdoor | Outdoor |
| Power Supply Cord | | A | - | - |
| Thermostat | | | - | - |
| Protection Device | | | - | - |

| Model | Indoor | CS-E9RKUAW | | CS-E12RKUAW | |
|--|---------|------------|------------|-------------|------------|
| | Outdoor | CU-E9RKUA | | CU-E12RKUA | |
| | | DRY BULB | WET BULB | DRY BULB | WET BULB |
| Indoor Operation Range (Cooling) (°F / °C) | Maximum | 89.6 / 32 | 73.4 / 23 | 89.6 / 32 | 73.4 / 23 |
| | Minimum | 60.8 / 16 | 51.8 / 11 | 60.8 / 16 | 51.8 / 11 |
| Outdoor Operation Range (Cooling) (°F / °C) | Maximum | 114.8 / 46 | 78.8 / 26 | 114.8 / 46 | 78.8 / 26 |
| | Minimum | 0 / -17.8 | - / - | 0 / -17.8 | - / - |
| Indoor Operation Range (Heating) (°F / °C) | Maximum | 86.0 / 30 | - / - | 86.0 / 30 | - / - |
| | Minimum | 60.8 / 16 | - / - | 60.8 / 16 | - / - |
| Outdoor Operation Range (Heating) (°F / °C) | Maximum | 75.2 / 24 | 64.4 / 18 | 75.2 / 24 | 64.4 / 18 |
| | Minimum | -4 / -20 | -5.8 / -21 | -4 / -20 | -5.8 / -21 |

1. Cooling capacities are based on indoor temperature of 27°C DRY BULB (80.6°F DRY BULB), 19.0°C WET BULB (66°F WET BULB) and outdoor air temperature of 35°C DRY BULB (95°F DRY BULB), 24°C WET BULB (75.2°F WET BULB)
2. Heating capacities are based on indoor temperature of 20°C Dry Bulb (68°F Dry Bulb) and outdoor air temperature of 7°C Dry Bulb (44.6°F Dry Bulb), 6°C Wet Bulb (42.8°F Wet Bulb)
3. Specifications are subjected to change without prior notice for further improvement.

| Model | | Indoor | CS-E18RKUAW | | | | | | CS-E24RKUAW | | | | | | |
|---------------------------------------|-----------------------------|-------------------------|----------------|----------------------------------|------------|--------------|-------|-------------------------|----------------|----------------------------------|------------|--------------|-------|-------|--|
| | | Outdoor | CU-E18RKUA | | | | | | CU-E24RKUA | | | | | | |
| Performance Test Condition | | | ARI | | | | | | ARI | | | | | | |
| Power Supply | | Phase, Hz | Single, 60 | | | | | | Single, 60 | | | | | | |
| | | V | 208 | | | 230 | | | 208 | | | 230 | | | |
| | | | Min. | Mid. | Max. | Min. | Mid. | Max. | Min. | Mid. | Max. | Min. | Mid. | Max. | |
| Cooling | Capacity | kW | 1.70 | 5.04 | 5.80 | 1.70 | 5.04 | 5.80 | 1.70 | 7.02 | 8.00 | 1.70 | 7.02 | 8.00 | |
| | | BTU/h | 5800 | 17200 | 19800 | 5800 | 17200 | 19800 | 5800 | 24000 | 27200 | 5800 | 24000 | 27200 | |
| | Running Current | A | - | 7.00 | - | - | 6.30 | - | - | 11.90 | - | - | 10.80 | - | |
| | Input Power | W | 430 | 1.30k | 1.60k | 430 | 1.30k | 1.60k | 430 | 2.35k | 2.72k | 430 | 2.35k | 2.72k | |
| | EER | W/W | 3.95 | 3.88 | 3.63 | 3.95 | 3.88 | 3.63 | 3.95 | 2.99 | 2.94 | 3.95 | 2.99 | 2.94 | |
| | | Btu/hW | 13.45 | 13.20 | 12.35 | 13.45 | 13.20 | 12.35 | 13.45 | 10.20 | 10.00 | 13.45 | 10.20 | 10.00 | |
| | Power Factor | % | - | 89 | - | - | 90 | - | - | 95 | - | - | 95 | - | |
| | Indoor Noise (H / L / QLo) | dB-A | 47 / 39 / 36 | | | 47 / 39 / 36 | | | 48 / 40 / 37 | | | 48 / 40 / 37 | | | |
| | | Power Level dB | 63 / - / - | | | 63 / - / - | | | 64 / - / - | | | 64 / - / - | | | |
| | Outdoor Noise (H / L / QLo) | dB-A | 49 / - / - | | | 49 / - / - | | | 51 / - / - | | | 51 / - / - | | | |
| Power Level dB | | 63 / - / - | | | 63 / - / - | | | 65 / - / - | | | 65 / - / - | | | | |
| Heating | Capacity | kW | 1.70 | 6.33 | 6.43 | 1.70 | 6.33 | 6.43 | 1.70 | 8.46 | 8.56 | 1.70 | 8.46 | 8.56 | |
| | | BTU/h | 5800 | 21600 | 22000 | 5800 | 21600 | 22000 | 5800 | 28800 | 29200 | 5800 | 28800 | 29200 | |
| | Running Current | A | - | 9.30 | - | - | 8.30 | - | - | 12.60 | - | - | 11.40 | - | |
| | Input Power | W | 380 | 1.75k | 1.80k | 380 | 1.75k | 1.80k | 380 | 2.50k | 2.66k | 380 | 2.50k | 2.66k | |
| | COP | W/W | 4.47 | 3.62 | 3.57 | 4.47 | 3.62 | 3.57 | 4.47 | 3.38 | 3.22 | 4.47 | 3.38 | 3.22 | |
| | | Btu/hW | 15.25 | 12.30 | 12.20 | 15.25 | 12.30 | 12.20 | 15.25 | 11.50 | 10.95 | 15.25 | 11.50 | 10.95 | |
| | Power Factor | % | - | 90 | - | - | 92 | - | - | 95 | - | - | 95 | - | |
| | Indoor Noise (H / L / QLo) | dB-A | 46 / 39 / 36 | | | 46 / 39 / 36 | | | 48 / 40 / 37 | | | 48 / 40 / 37 | | | |
| | | Power Level dB | 62 / - / - | | | 62 / - / - | | | 64 / - / - | | | 64 / - / - | | | |
| | Outdoor Noise (H / L / QLo) | dB-A | 51 / - / - | | | 51 / - / - | | | 53 / - / - | | | 53 / - / - | | | |
| Power Level dB | | 65 / - / - | | | 65 / - / - | | | 67 / - / - | | | 67 / - / - | | | | |
| Max Current (A) / Max Input Power (W) | | | 12.7 / 2.69k | | | | | | 13.7 / 3.06k | | | | | | |
| Starting Current (A) | | | 9.3 | | | | | | 12.6 | | | | | | |
| Min Circuit Ampacity | | | 15.0 | | | | | | 20.0 | | | | | | |
| Max. Overcurrent Protection | | | 20.0 | | | | | | 25.0 | | | | | | |
| SEER / HSPF | | | 19.50 / 10.00 | | | | | | 19.00 / 10.00 | | | | | | |
| Compressor | Type | Hermetic Motor / Rotary | | | | | | Hermetic Motor / Rotary | | | | | | | |
| | Motor Type | Brushless (4 poles) | | | | | | Brushless (4 poles) | | | | | | | |
| | Output Power | W | 1.7k | | | | | | 1.7k | | | | | | |
| Indoor Fan | Type | | Cross-flow fan | | | | | | Cross-flow fan | | | | | | |
| | Material | | ASG30K1 | | | | | | ASG30K1 | | | | | | |
| | Motor Type | | DC (8 poles) | | | | | | DC (8 poles) | | | | | | |
| | Input Power | | W | 94.8 - 94.8 | | | | | | 94.8 - 94.8 | | | | | |
| | Output Power | | W | 40 | | | | | | 40 | | | | | |
| | Speed | QLo | rpm | Cooling : 970 Heating : 1030 | | | | | | Cooling : 1000 Heating : 1110 | | | | | |
| | | Lo | rpm | Cooling : 1060 Heating : 1120 | | | | | | Cooling : 1090 Heating : 1220 | | | | | |
| | | Me | rpm | Cooling : 1220 Heating : 1260 | | | | | | Cooling : 1240 Heating : 1360 | | | | | |
| | | Hi | rpm | Cooling : 1380 Heating : 1410 | | | | | | Cooling : 1400 Heating : 1500 | | | | | |
| | | SHi | rpm | Cooling : 1480 Heating : 1500 | | | | | | Cooling : 1500 Heating : 1600 | | | | | |

| Model | | Indoor | CS-E18RKUAW | | CS-E24RKUAW | |
|------------------------|------------------------------|--|--|--|--|--|
| | | Outdoor | CU-E18RKUA | | CU-E24RKUA | |
| Outdoor Fan | Type | | Propeller | | Propeller | |
| | Material | | PP | | PP | |
| | Motor Type | | DC Motor (8 poles) | | DC Motor (8 poles) | |
| | Input Power | W | - | | - | |
| | Output Power | W | 60 | | 60 | |
| | Speed | Hi | rpm | Cooling: 700 Heating: 700 | | Cooling: 730 Heating: 750 |
| Moisture Removal | | L/h (Pt/h) | 1.4 (3.0) | | 3.6 (7.6) | |
| Indoor Airflow | QLo | m ³ /min (ft ³ /min) | Cooling : 13.28 (469) Heating : 14.40 (508) | | Cooling : 13.42 (474) Heating : 14.86 (525) | |
| | Lo | m ³ /min (ft ³ /min) | Cooling : 14.53 (513) Heating : 15.65 (553) | | Cooling : 14.67 (518) Heating : 16.39 (579) | |
| | Me | m ³ /min (ft ³ /min) | Cooling : 16.77 (592) Heating : 17.61 (622) | | Cooling : 16.77 (592) Heating : 18.35 (648) | |
| | Hi | m ³ /min (ft ³ /min) | Cooling : 19.00 (670) Heating : 19.70 (695) | | Cooling : 19.00 (670) Heating : 20.30 (715) | |
| | SHi | m ³ /min (ft ³ /min) | Cooling : 20.40 (720) Heating : 20.96 (740) | | Cooling : 20.40 (720) Heating : 21.70 (766) | |
| Outdoor Airflow | Hi | m ³ /min (ft ³ /min) | Cooling : 54.5 (1925) Heating : 54.5 (1925) | Cooling : 54.5 (1925) Heating : 54.5 (1925) | Cooling : 54.9 (1940) Heating : 56.5 (1995) | Cooling : 54.9 (1940) Heating : 56.5 (1995) |
| Refrigeration Cycle | Control Device | | Expansion Valve | | Expansion Valve | |
| | Refrigerant Oil | cm ³ | FV50S (800) | | FV50S (800) | |
| | Refrigerant Type | g (oz) | R410A, 1.60k (56.5) | | R410A, 1.85k (65.3) | |
| Dimension | Height(I/D / O/D) | mm (inch) | 290 (11-7/16) / 795 (31-5/16) | | 290 (11-7/16) / 795 (31-5/16) | |
| | Width (I/D / O/D) | mm (inch) | 1070 (42-5/32) / 875 (34-15/32) | | 1070 (42-5/32) / 875 (34-15/32) | |
| | Depth (I/D / O/D) | mm (inch) | 240 (9-15/32) / 320 (12-5/8) | | 240 (9-15/32) / 320 (12-5/8) | |
| Weight | Net (I/D / O/D) | kg (lb) | 12 (26) | 60 (132) | 12 (26) | 60 (132) |
| Piping | Pipe Diameter (Liquid / Gas) | mm (inch) | 6.35 (1/4) / 12.70 (1/2) | | 6.35 (1/4) / 15.88 (5/8) | |
| | Standard length | m (ft) | 7.5 (24.6) | | 7.5 (24.6) | |
| | Length range (min – max) | m (ft) | 3 (9.8) ~ 30.5 (100.0) | | 3 (9.8) ~ 30.5 (100.0) | |
| | I/D & O/D Height different | m (ft) | 15 (49.2) | | 15 (49.2) | |
| | Additional Gas Amount | g/m (oz/ft) | 25 (0.3) | | 25 (0.3) | |
| | Length for Additional Gas | m (ft) | 10 (32.8) | | 10 (32.8) | |
| Drain Hose | Inner Diameter | mm (inch) | 16.7 (5/8) | | 16.7 (5/8) | |
| | Length | mm (inch) | 650 (25-5/8) | | 650 (25-5/8) | |
| Indoor Heat Exchanger | Fin Material | | Aluminium (Pre Coat) | | Aluminium (Pre Coat) | |
| | Fin Type | | Slit Fin | | Slit Fin | |
| | Row x Stage x FPI | | 2 x 15 x 21 | | 2 x 15 x 21 | |
| | Size (W x H x L) | inch | 1 x 12-13/32 x 31-7/8 | | 1 x 12-13/32 x 31-7/8 | |
| Outdoor Heat Exchanger | Fin Material | | Aluminium (Blue coated) | | Aluminium (Blue coated) | |
| | Fin Type | | Corrugate Fin | | Corrugate Fin | |
| | Row x Stage x FPI | | 2 x 36 x 19 | | 2 x 36 x 19 | |
| | Size (W x H x L) | inch | 1-13/32 x 29-25/32 x 34-7/32 35-5/16 | | 1-13/32 x 29-25/32 x 34-7/32 35-5/16 | |
| Air Filter | Material | | Polypropelene | | Polypropelene | |
| | Type | | One-touch | | One-touch | |
| Power Supply | | | Outdoor | | Outdoor | |
| Power Supply Cord | | A | - | | - | |
| Thermostat | | | - | | - | |
| Protection Device | | | - | | - | |

| Model | Indoor | CS-E18RKUAW | | CS-E24RKUAW | |
|--|---------|-------------|------------|-------------|------------|
| | Outdoor | CU-E18RKUA | | CU-E24RKUA | |
| | | DRY BULB | WET BULB | DRY BULB | WET BULB |
| Indoor Operation Range (Cooling) (°F / °C) | Maximum | 89.6 / 32 | 73.4 / 23 | 89.6 / 32 | 73.4 / 23 |
| | Minimum | 60.8 / 16 | 51.8 / 11 | 60.8 / 16 | 51.8 / 11 |
| Outdoor Operation Range (Cooling) (°F / °C) | Maximum | 114.8 / 46 | 78.8 / 26 | 114.8 / 46 | 78.8 / 26 |
| | Minimum | 0 / -17.8 | - / - | 0 / -17.8 | - / - |
| Indoor Operation Range (Heating) (°F / °C) | Maximum | 86.0 / 30 | - / - | 86.0 / 30 | - / - |
| | Minimum | 60.8 / 16 | - / - | 60.8 / 16 | - / - |
| Outdoor Operation Range (Heating) (°F / °C) | Maximum | 75.0 / 24 | 64.4 / 18 | 75.0 / 24 | 64.4 / 18 |
| | Minimum | -4 / -20 | -5.8 / -21 | -4 / -20 | -5.8 / -21 |

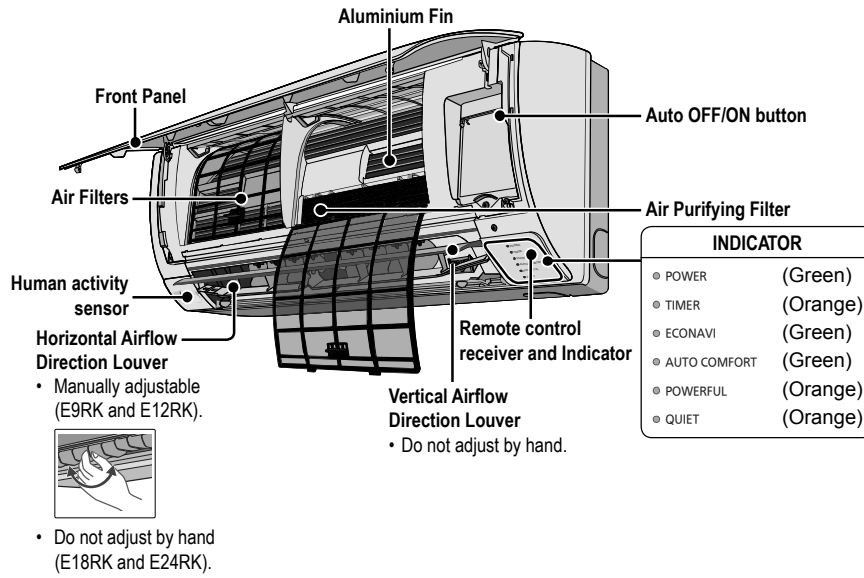
1. Cooling capacities are based on indoor temperature of 80°F DRY BULB, 67°F WET BULB and outdoor air temperature of 95°F DRY BULB, 75°F WET BULB.
2. Heating capacities are based on indoor temperature of 70°F DRY BULB, 60°F WET BULB and outdoor air temperature of 47°F DRY BULB, 43°F WET BULB.
3. Specifications are subjected to change without prior notice for further improvement.

3. Features

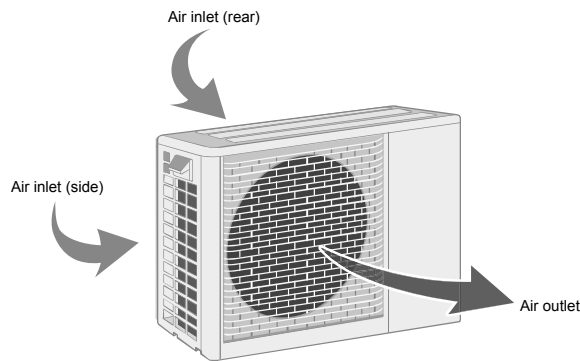
- **Inverter Technology**
 - Wider output power range
 - Energy saving
 - Quick Cooling
 - More precise temperature control
- **Environment Protection**
 - Non-ozone depletion substances refrigerant (R410A)
- **Long Installation Piping**
 - CS/CU-E9/12RK, long piping up to 65 feet (20 meters)
 - CS/CU-E18/24RK, long piping up to 100 feet (30 meters)
- **Easy to use remote control**
- **Quality Improvement**
 - Random auto restart after power failure for safety restart operation
 - Gas leakage protection
 - Prevent compressor reverse cycle
 - Inner protector to protect Compressor
 - Noise prevention during soft dry operation
- **Operation Improvement**
 - Quiet mode to reduce the indoor unit operating sound
 - Powerful mode to reach the desired room temperature quickly
- **Serviceability Improvement**
 - Breakdown Self Diagnosis function

4. Location of Controls and Components

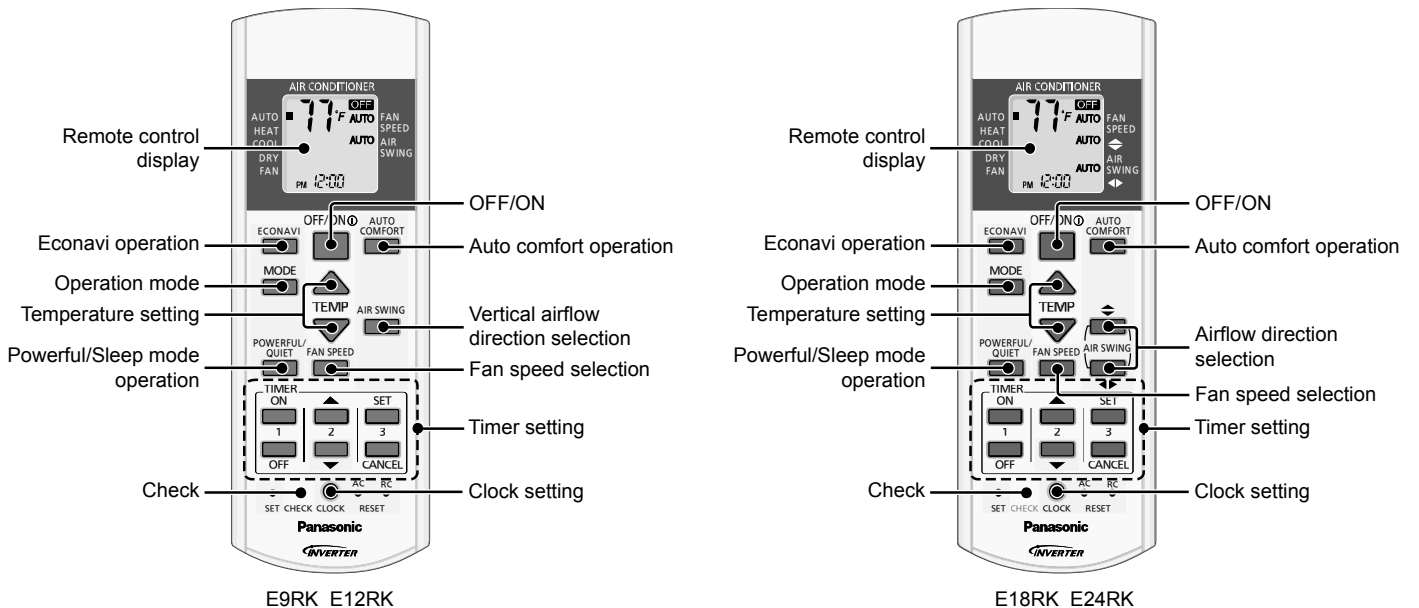
4.1 Indoor Unit



4.2 Outdoor Unit



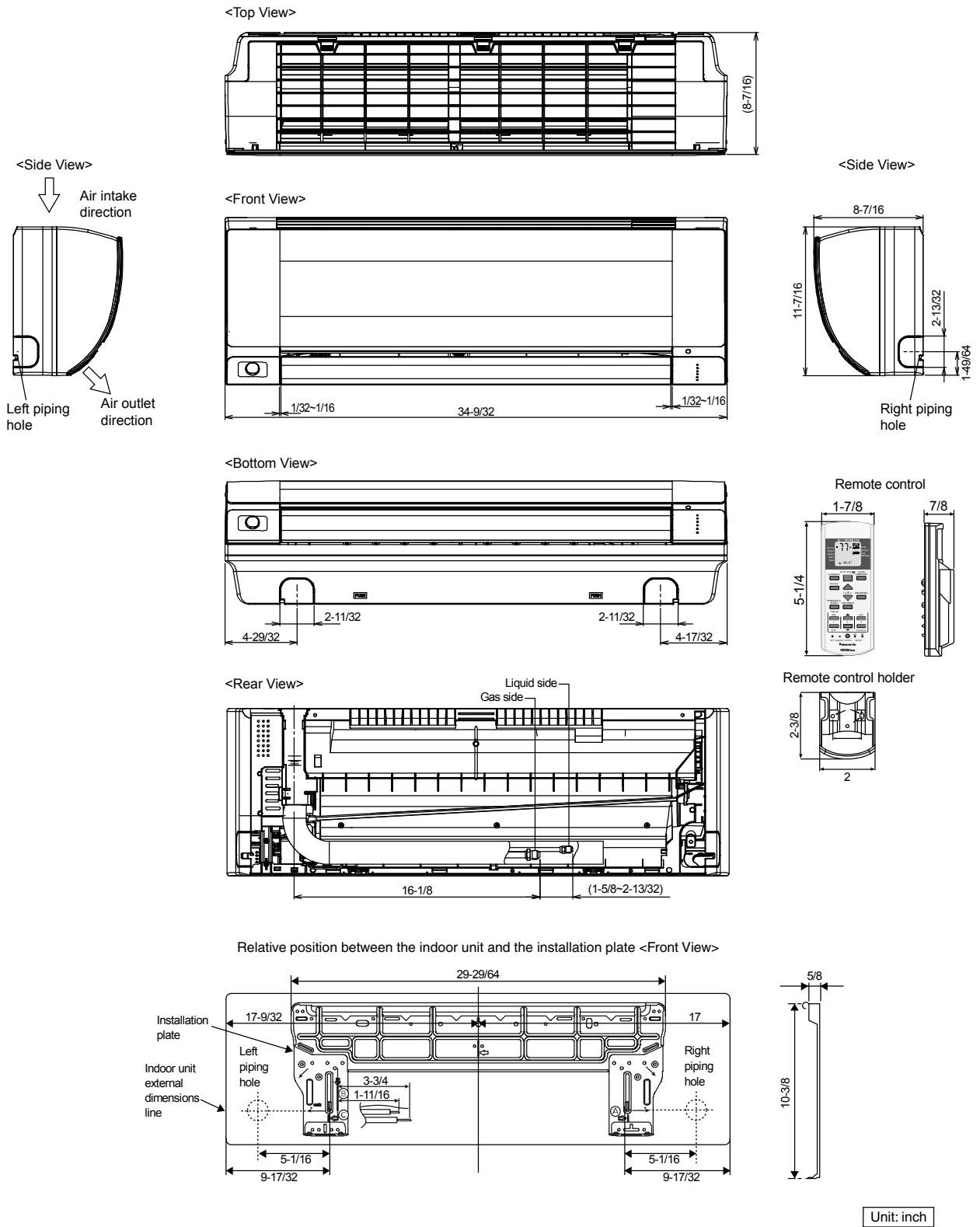
4.3 Remote Control



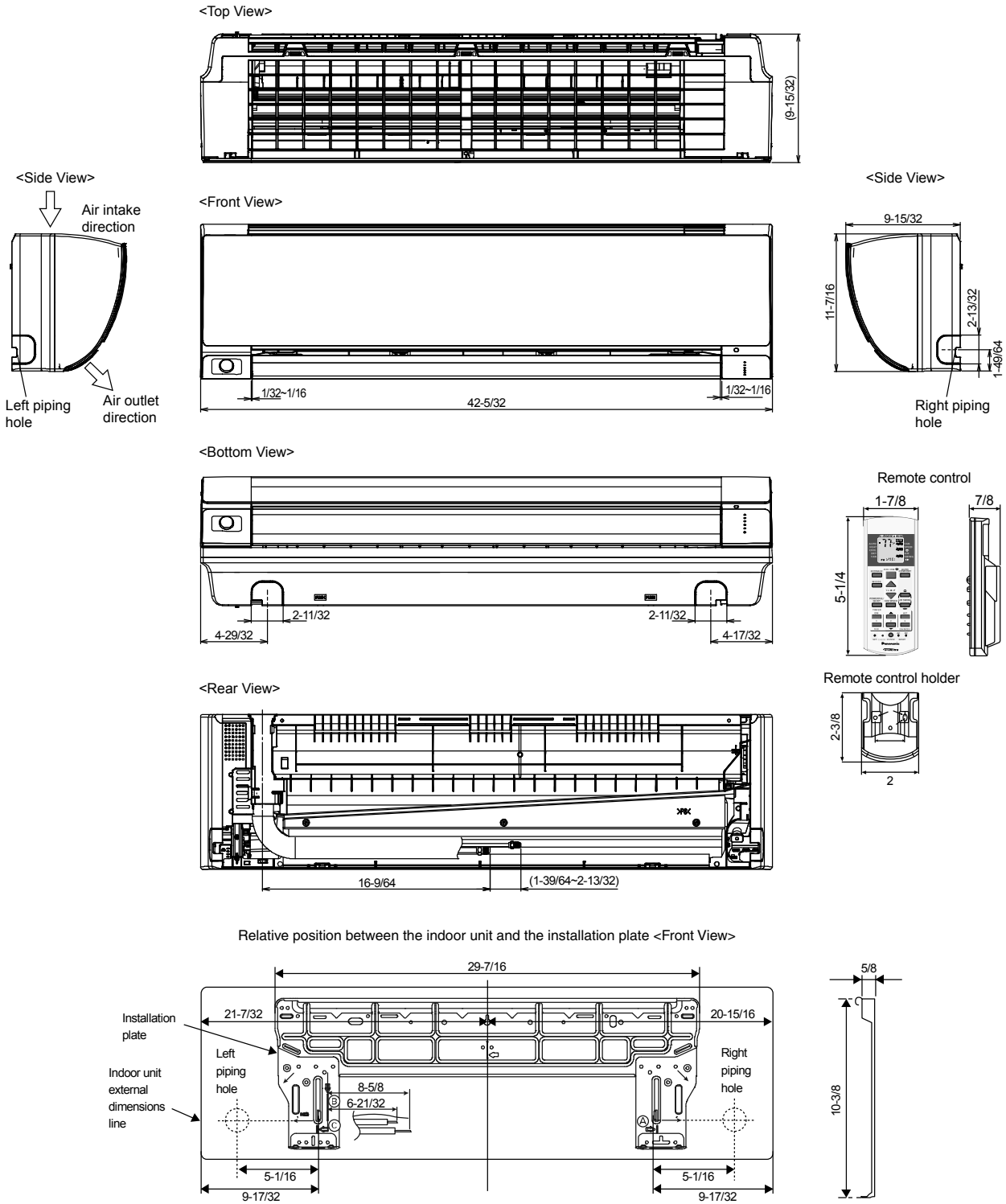
5. Dimensions

5.1 Indoor Unit

5.1.1 CS-E9RKUAW CS-E12RKUAW



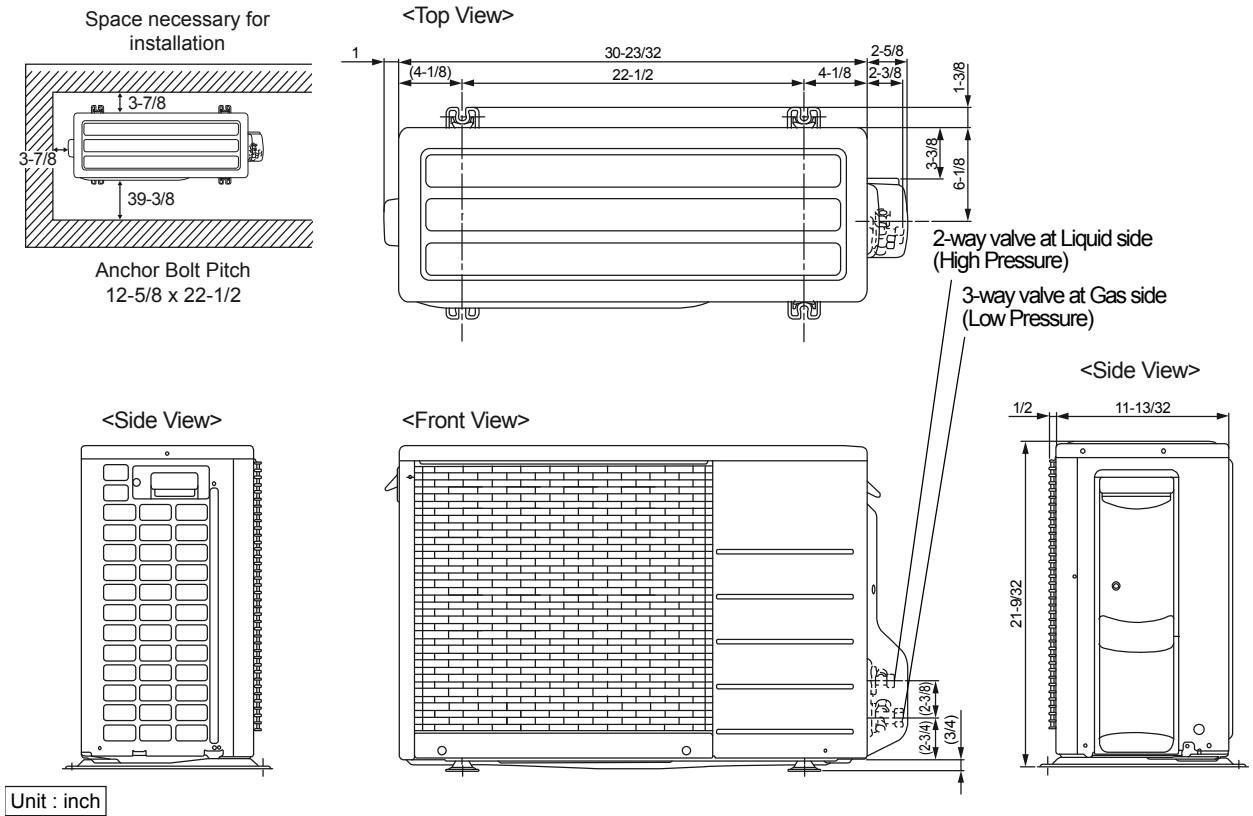
5.1.2 CS-E18RKUAW CS-E24RKUAW



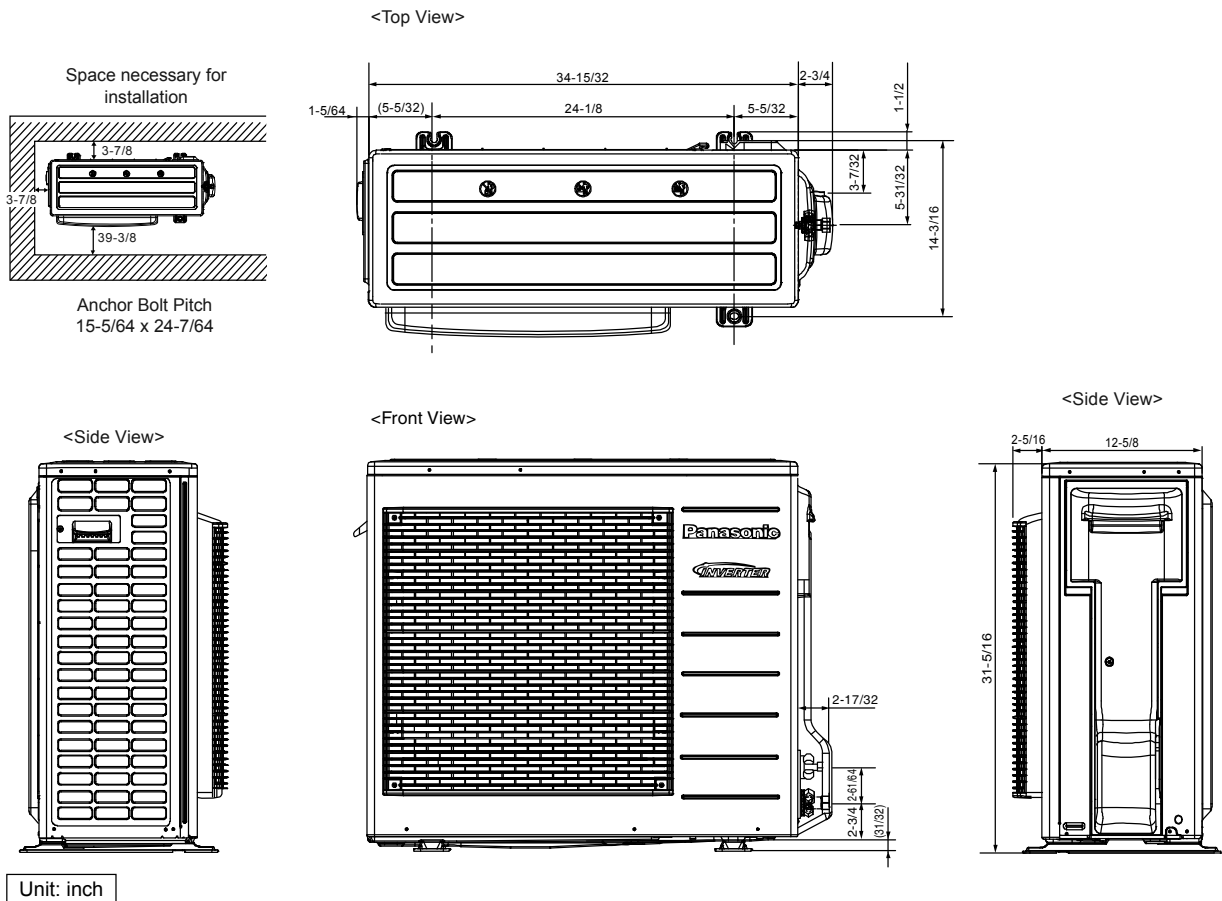
Unit: inch

5.2 Outdoor Unit

5.2.1 CU-E9RKUA CU-E12RKUA

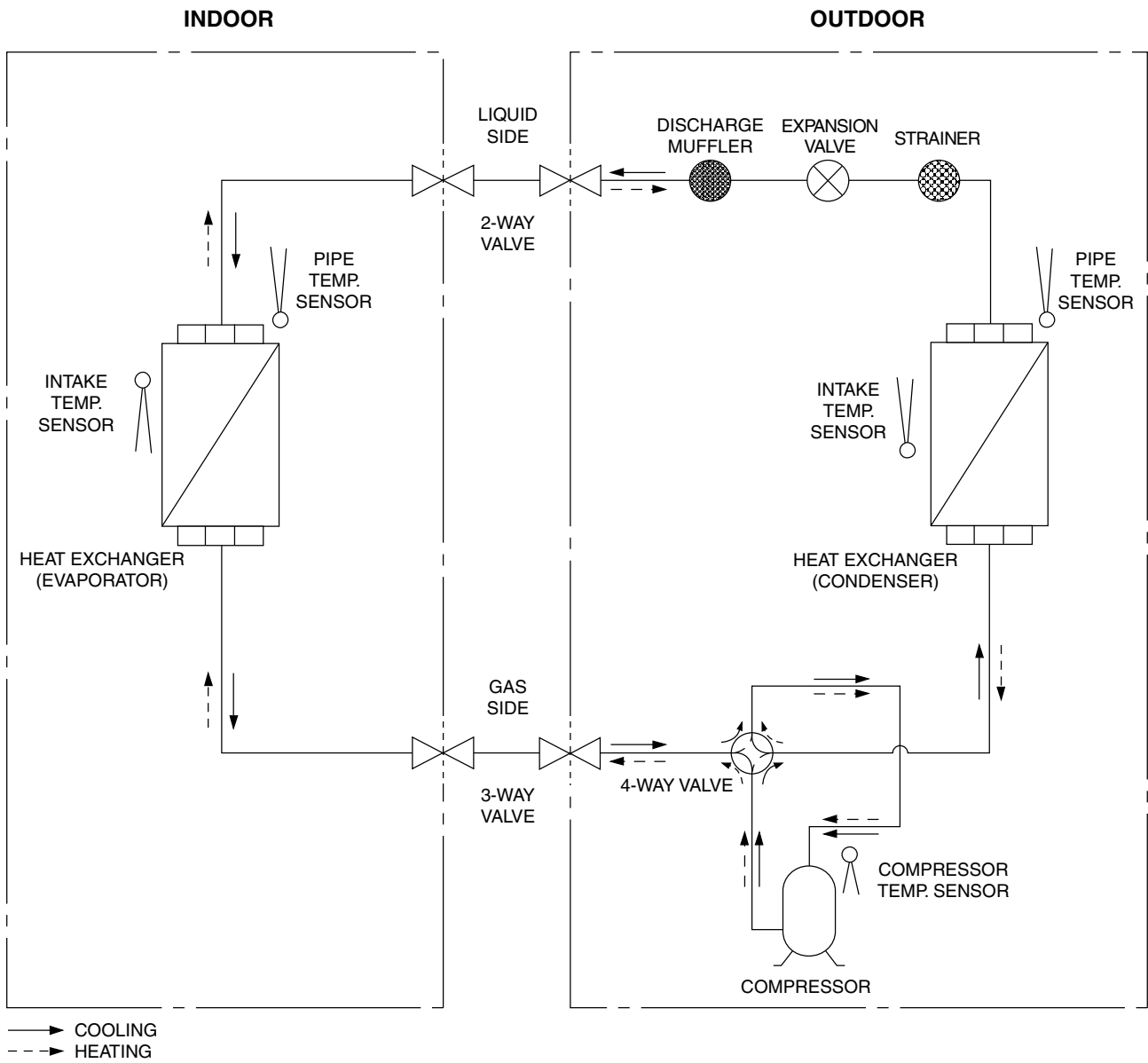


5.2.2 CU-E18RKUA CU-E24RKUA

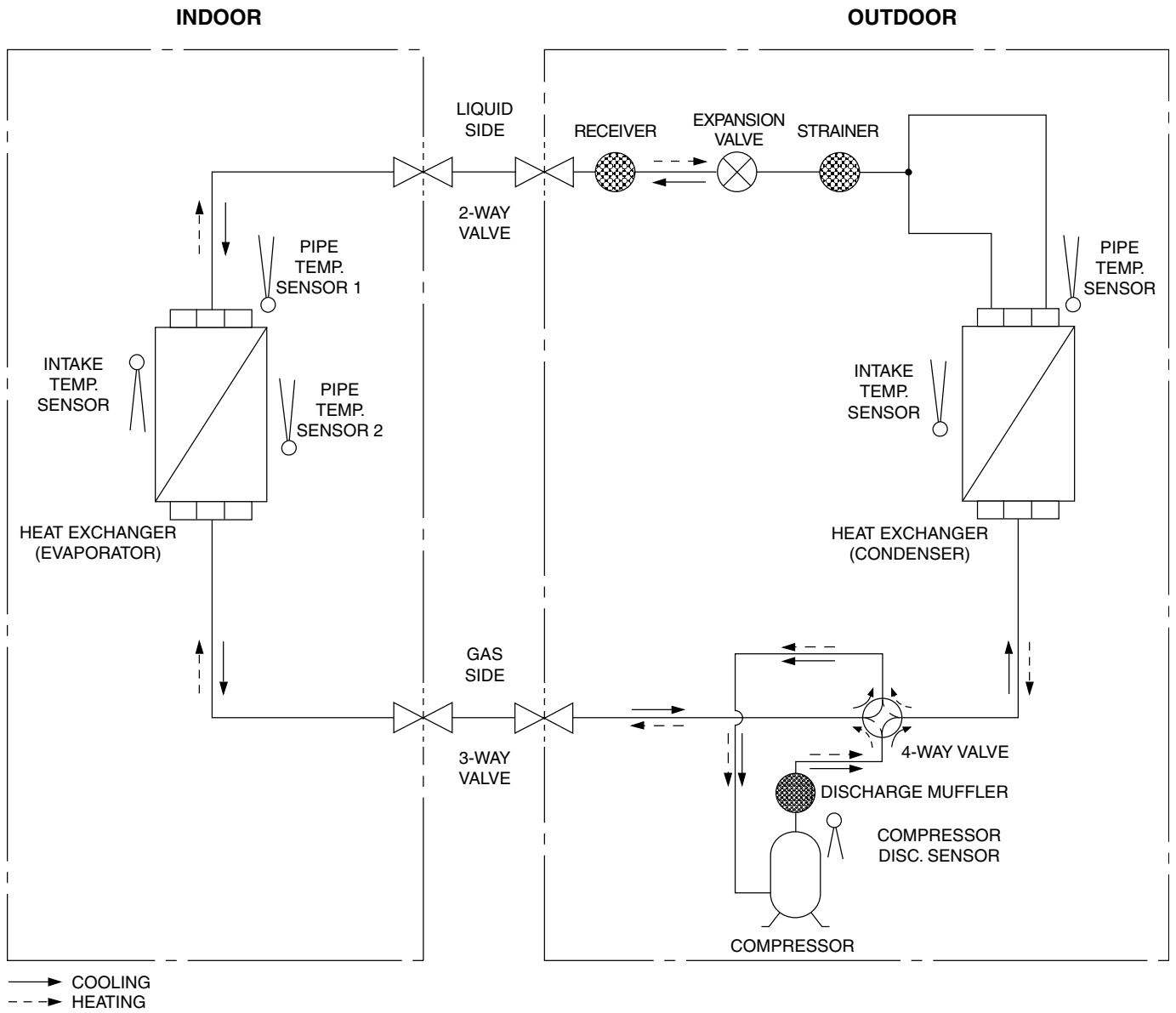


6. Refrigeration Cycle Diagram

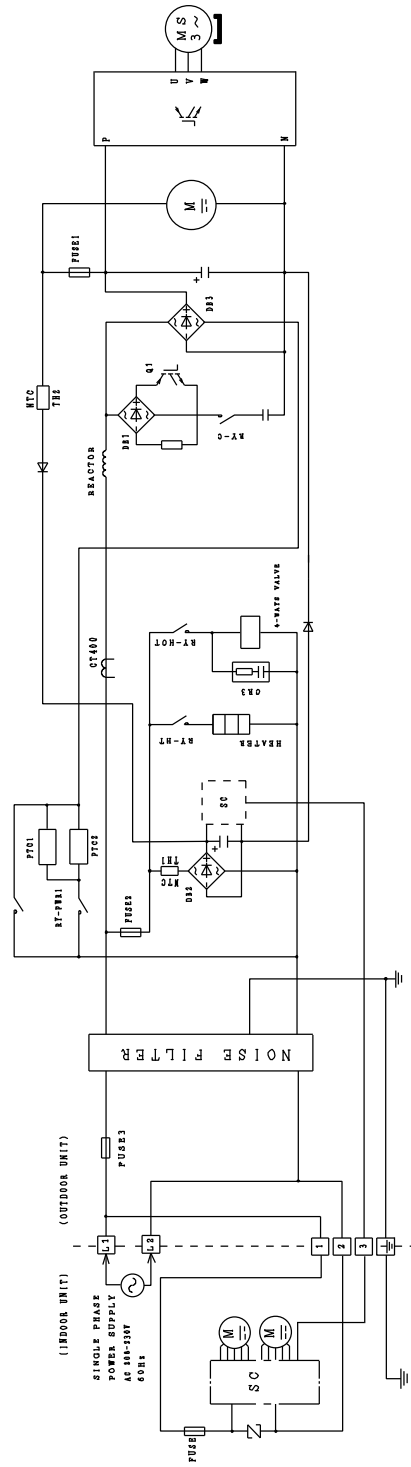
6.1 CU-E9RKUA CU-E12RKUA



6.2 CU-E18RKUA CU-E24RKUA



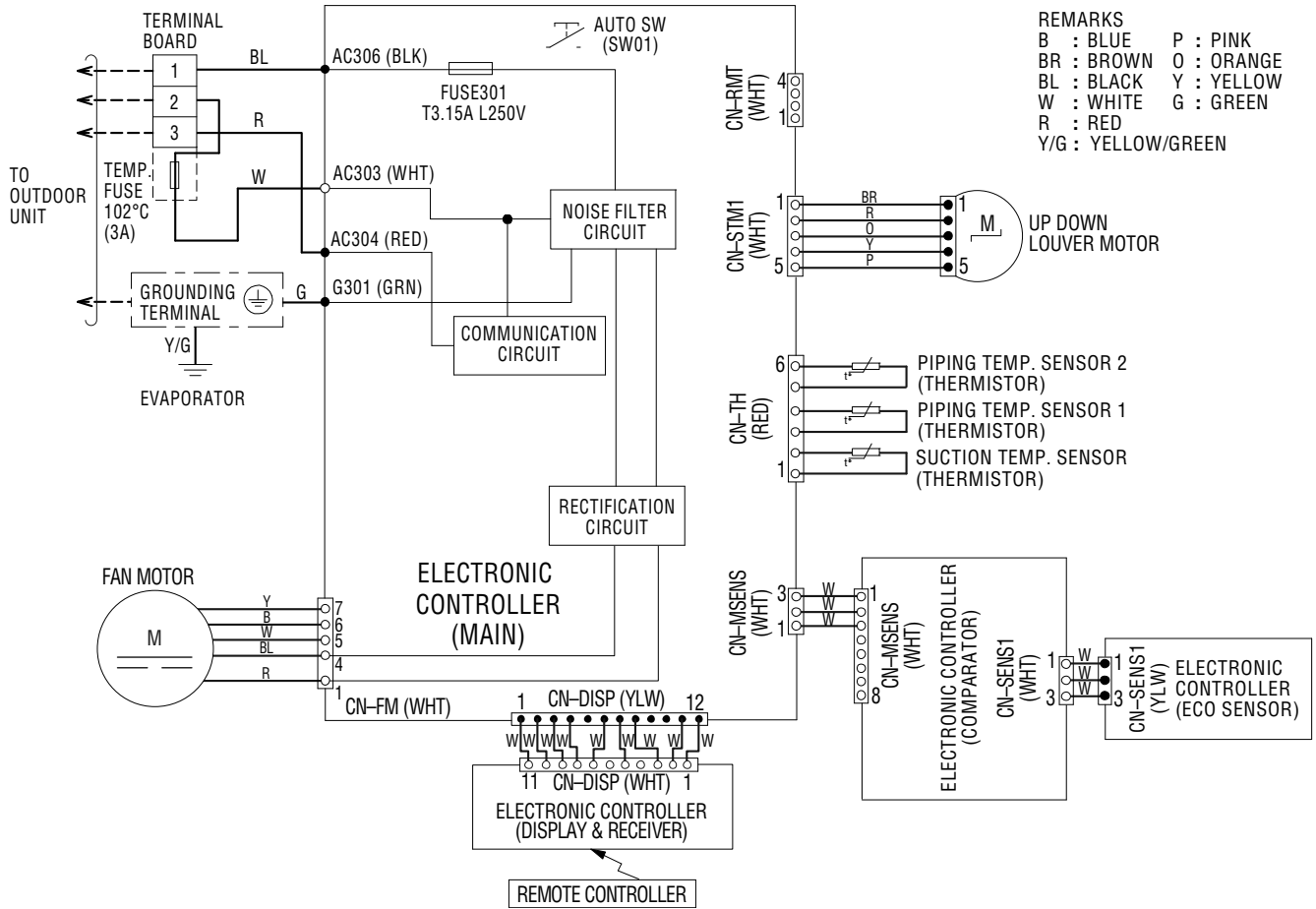
7.2 CS-E18RKUAW CU-E18RKUA CS-E24RKUAW CU-E24RKUA



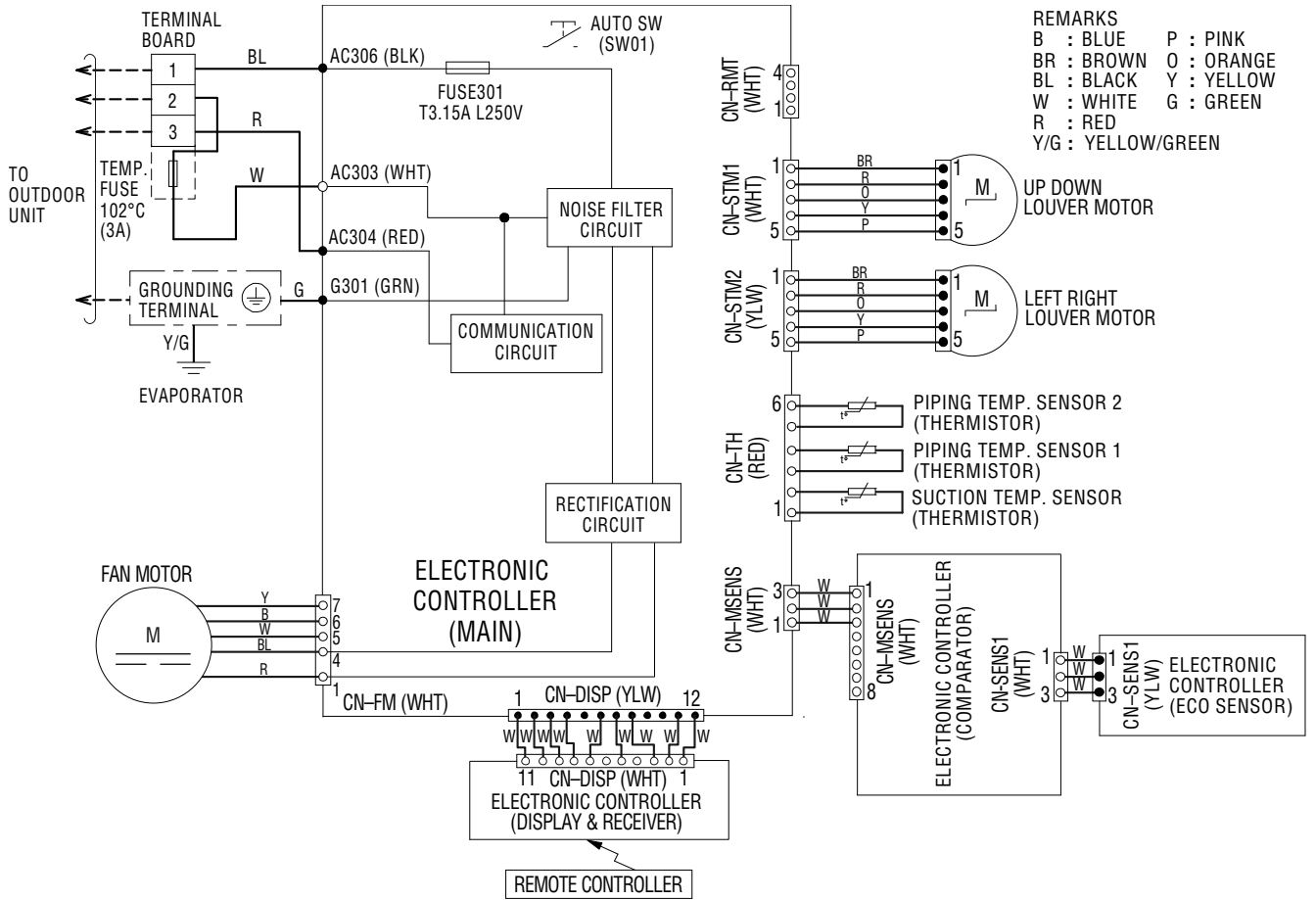
8. Wiring Connection Diagram

8.1 Indoor Unit

8.1.1 CS-E9RKUAW CS-E12RKUAW

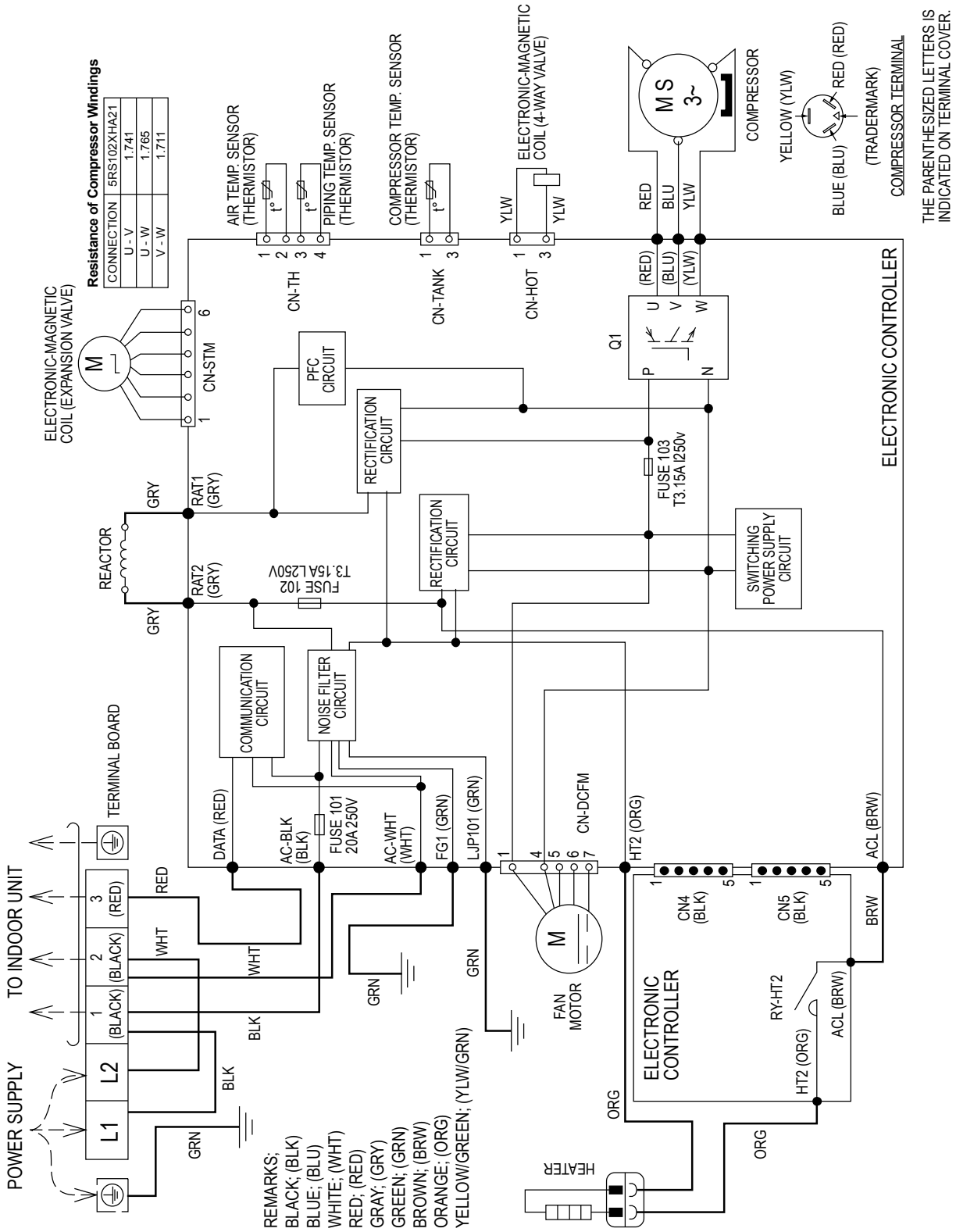


8.1.2 CS-E18RKUAW CS-E24RKUAW



8.2 Outdoor Unit

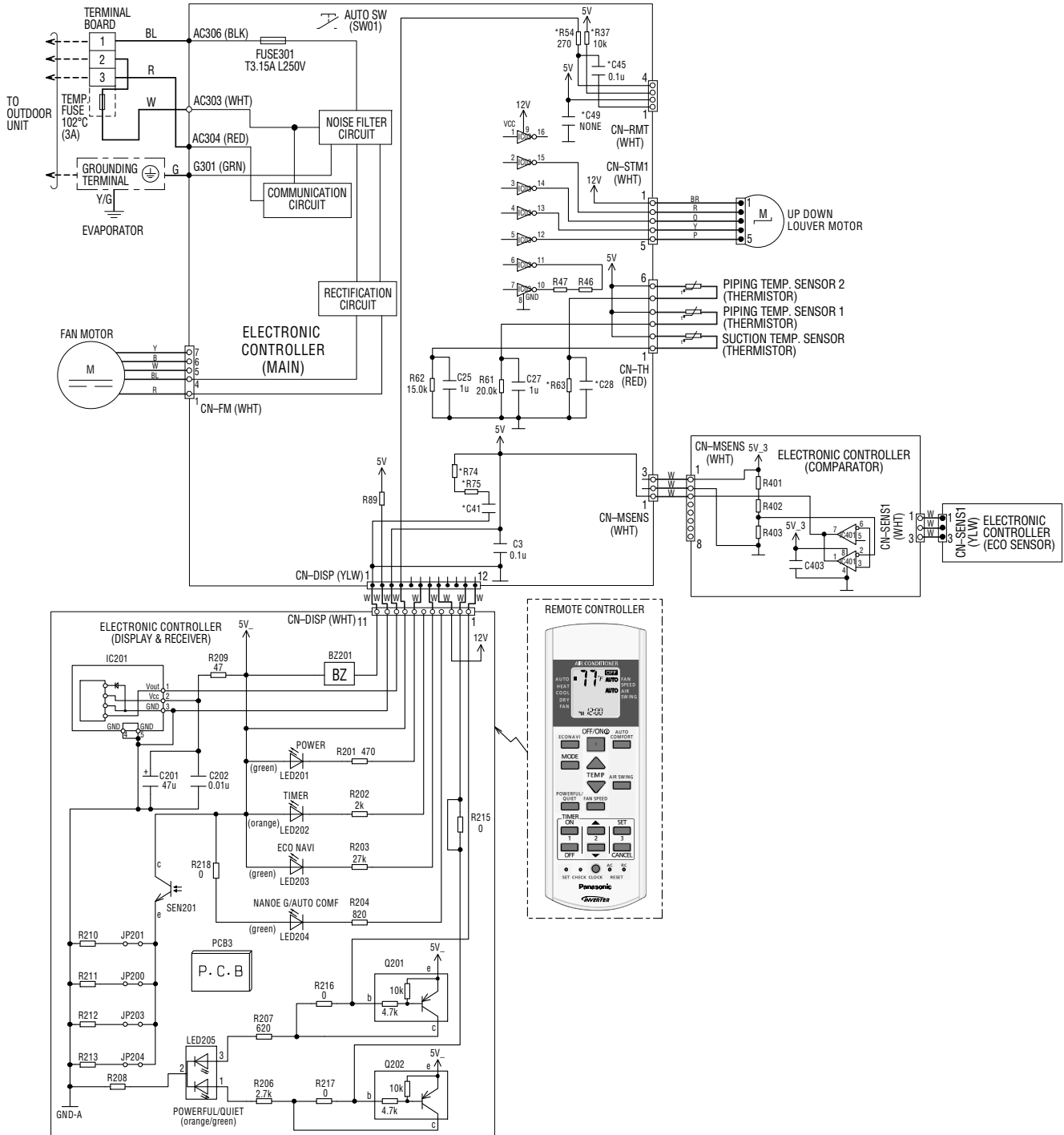
8.2.1 CU-E9RKUA CU-E12RKUA



9. Electronic Circuit Diagram

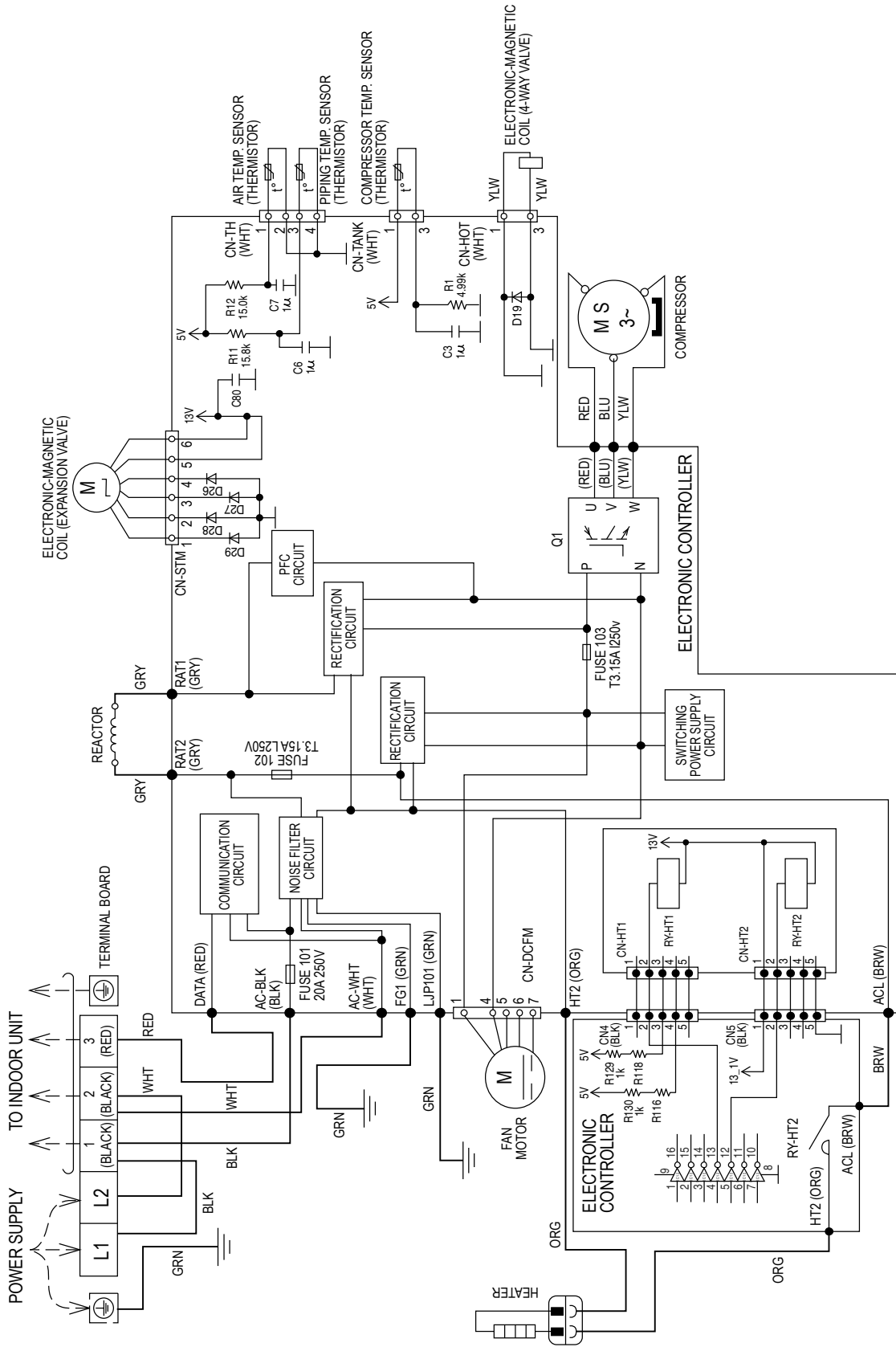
9.1 Indoor Unit

9.1.1 CS-E9RKUAW CS-E12RKUAW

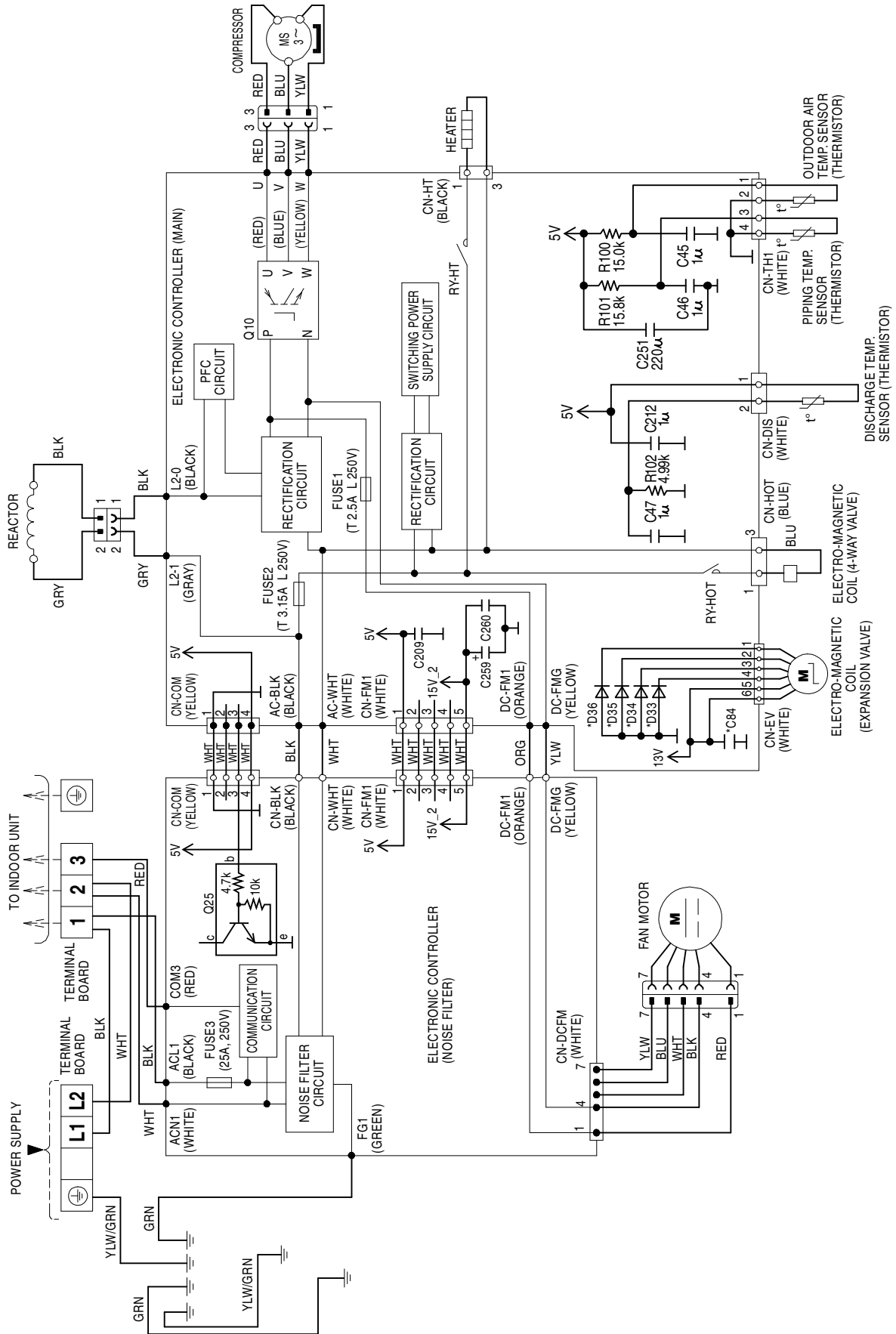


9.2 Outdoor Unit

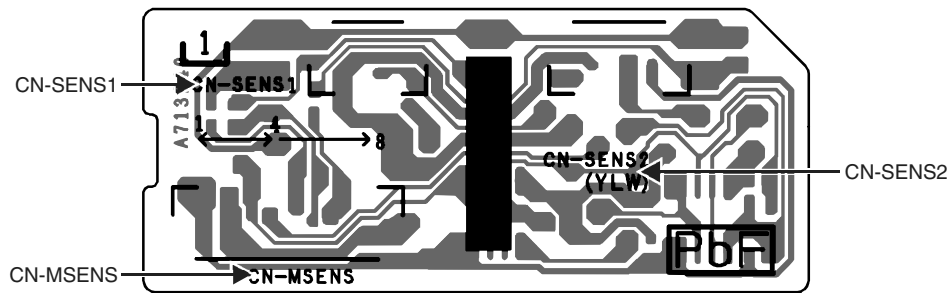
9.2.1 CU-E9RKUA CU-E12RKUA



9.2.2 CU-E18RKUA CU-E24RKUA



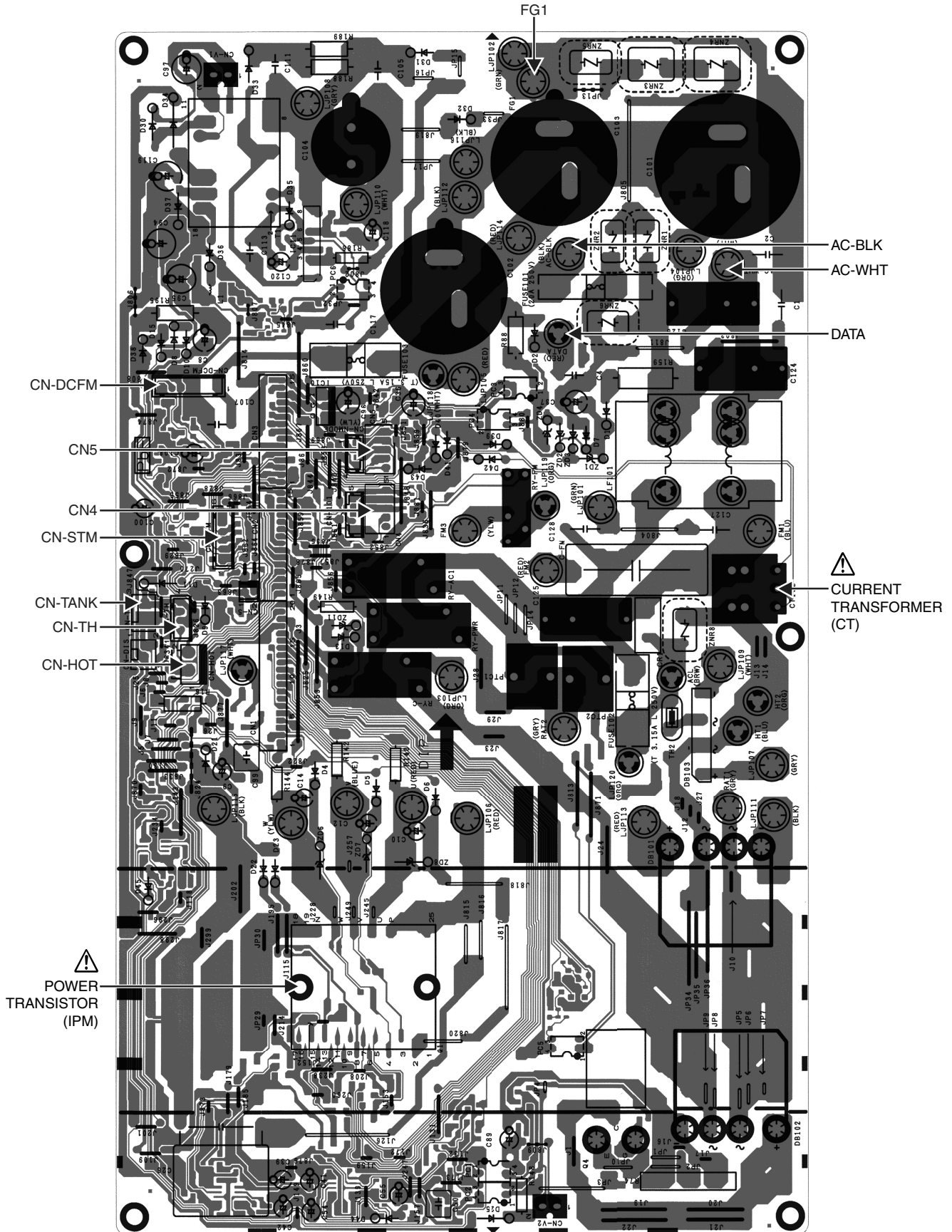
10.1.3 Comparator Printed Circuit Board



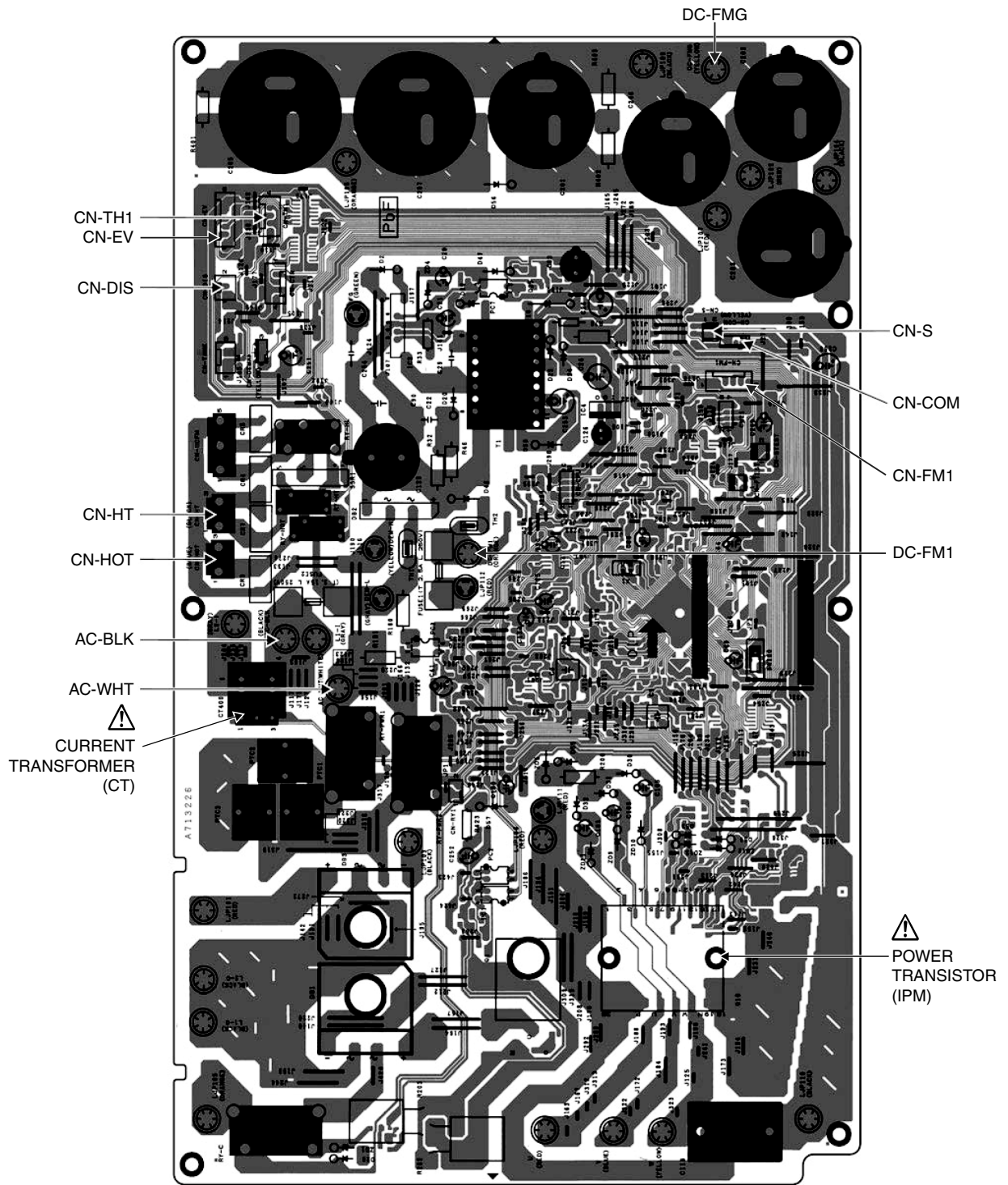
10.2 Outdoor Unit

10.2.1 Main Printed Circuit Board

10.2.1.1 CU-E9RKUA CU-E12RKUA



10.2.1.2 CU-E18RKUA CU-E24RKUA



11. Installation Instruction (E9RK and E12RK)

11.1 Select the Best Location

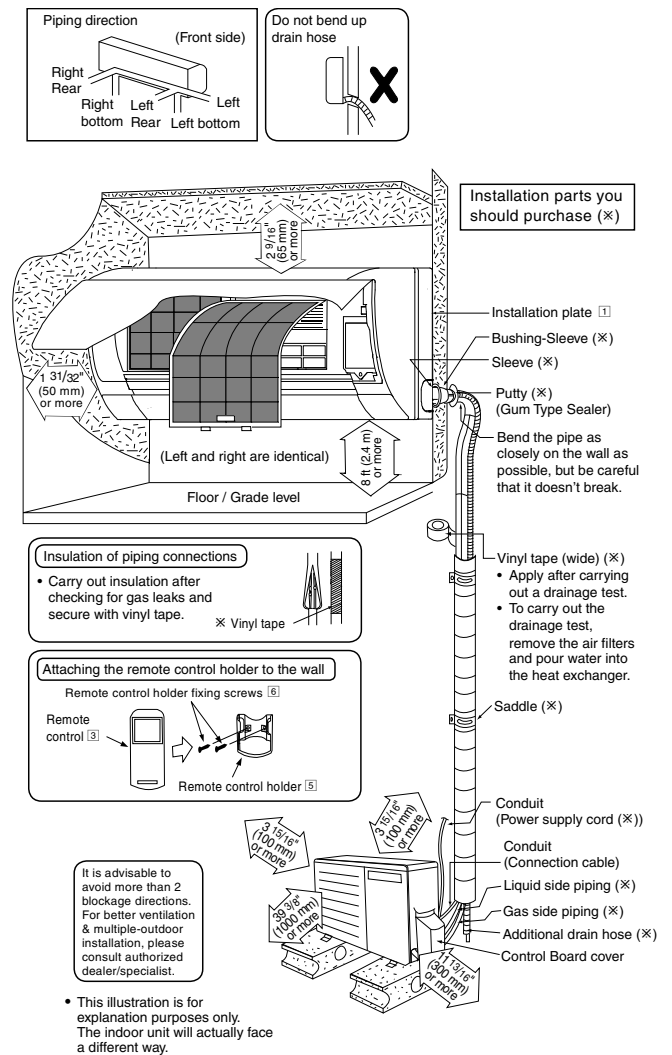
11.1.1 Indoor Unit

- Do not install the unit in excessive oil fume area such as kitchen, workshop and etc.
- There should not be any heat source or steam near the unit.
- There should not be any obstacles blocking the air circulation.
- A place where air circulation in the room is good.
- A place where drainage can be easily done.
- A place where noise prevention is taken into consideration.
- Do not install the unit near the door way.
- Ensure the spaces indicated by arrows from the wall, ceiling, fence or other obstacles.
- Recommended installation height for indoor unit shall be at least 8 ft (2.4 m).

11.1.2 Outdoor Unit

- If an awning is built over the unit to prevent direct sunlight or rain, be careful that heat radiation from the condenser is not obstructed.
- There should not be any animal or plant which could be affected by hot air discharged.
- Keep the spaces indicated by arrows from wall, ceiling, fence or other obstacles.
- Do not place any obstacles which may cause a short circuit of the discharged air.
- If piping length is over the [piping length for additional gas], additional refrigerant should be added as shown in the table.
- Recommended installation height for outdoor unit should be above the seasonal snow level.

11.1.3 Indoor/Outdoor Unit Installation Diagram



| Model | Capacity (Btu/h) | Piping size | | Std. Length | Max. Elevation | Min. Piping Length | Max. Piping Length | Additional Refrigerant | Piping Length for add. gas |
|----------|------------------|----------------|-----------|-----------------|----------------|--------------------|--------------------|------------------------|----------------------------|
| | | Gas | Liquid | | | | | | |
| E9RKUAW | 9000 | 3/8" (9.52 mm) | 1/4" | 24.6 ft (7.5 m) | 49.2 ft (15 m) | 9.8 ft (3 m) | 65.6 ft (20 m) | 0.2 oz/ft (20 g/m) | 24.6 ft (7.5 m) |
| E12RKUAW | 11500 | 1/2" (12.7 mm) | (6.35 mm) | | | | | | |

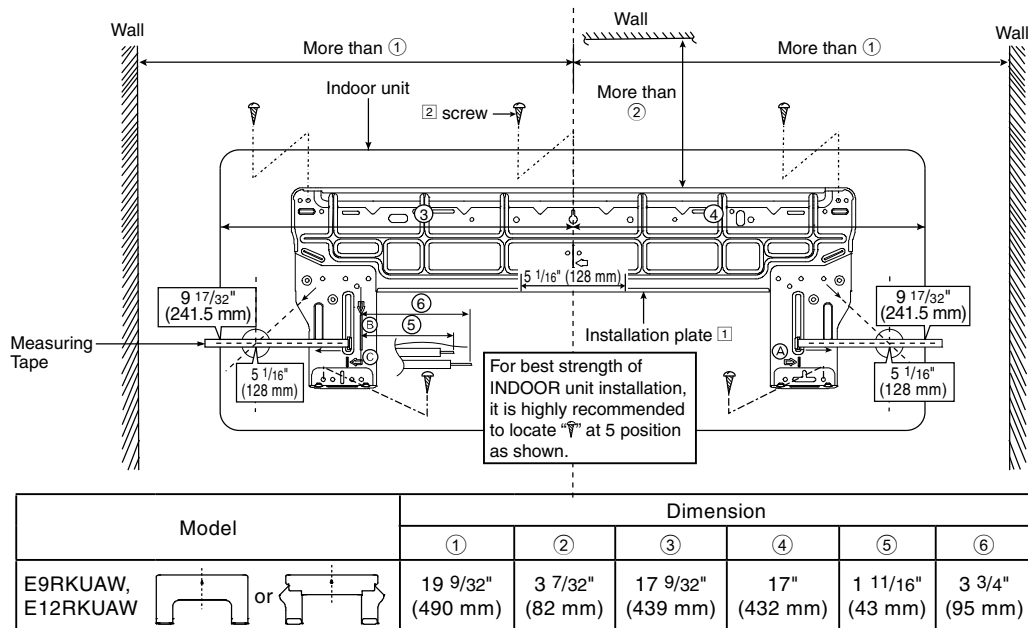
Example: For E9RKUAW

If the unit is installed at 32.8 ft (10 m) distance, the quantity of additional refrigerant should be 1.64 oz (50 g) (32.8 - 24.6) ft x 0.2 oz/ft = 1.64 oz. ((10 - 7.5) m x 20 g/m = 50 g).

11.2 Indoor Unit

11.2.1 How to Fix Installation Plate

The mounting wall shall be strong and solid enough to prevent it from the vibration.



The center of installation plate should be at more than ① at right and left of the wall.

The distance from installation plate edge to ceiling should more than ②.

From installation plate left edge to unit's left side is ③.

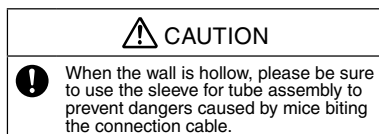
From installation plate right edge to unit's right side is ④.

- Ⓑ : For left side piping, piping connection for liquid should be about ⑤ from this line.
 : For left side piping, piping connection for gas should be about ⑥ from this line.

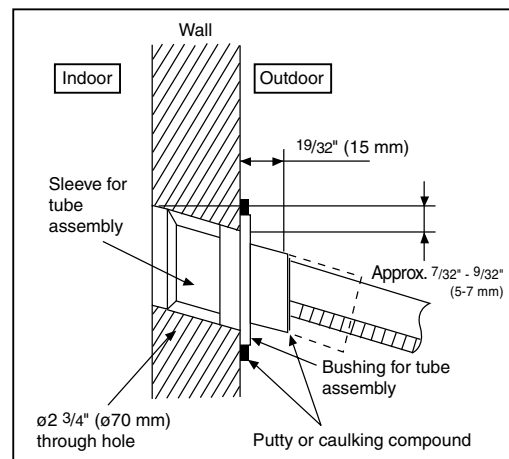
- Mount the installation plate on the wall with 5 screws or more (at least 5 screws).
(If mounting the unit on the concrete wall, consider using anchor bolts.)
 - Always mount the installation plate horizontally by aligning the marking-off line with the thread and using a level gauge.
- Drill the piping plate hole with $\varnothing 2 \frac{3}{4}$ " ($\varnothing 70$ mm) hole-core drill.
 - Line according to the left and right side of the installation plate. The meeting point of the extended line is the center of the hole. Another method is by putting measuring tape at position as shown in the diagram above. The hole center is obtained by measuring the distance namely $5 \frac{1}{16}$ " (128 mm) for left and right hole respectively.
 - Drill the piping hole at either the right or the left and the hole should be slightly slanting to the outdoor side.

11.2.2 To Drill a Hole in the Wall and Install a Sleeve of Piping

- Insert the piping sleeve to the hole.
- Fix the bushing to the sleeve.
- Cut the sleeve until it extrudes about $19 \frac{3}{32}$ " (15 mm) from the wall.



- Finish by sealing the sleeve with putty or caulking compound at the final stage.



11.2.3 Indoor Unit Installation

Do not turn over the unit without its shock absorber during pull out the piping.
It may cause intake grille damage.
Use shock absorber during pull out the piping to protect the intake grille from damage.



11.2.3.1 For the right rear piping

- Step-1 Pull out the Indoor piping
- Step-2 Install the Indoor Unit
- Step-3 Secure the Indoor Unit
- Step-4 Insert the connection cable

11.2.3.2 For the right bottom piping

- Step-1 Pull out the Indoor piping
- Step-2 Install the Indoor Unit
- Step-3 Insert the connection cable
- Step-4 Secure the Indoor Unit

11.2.3.3 For the embedded piping

- Step-1 Replace the drain hose
- Step-2 Bend the embedded piping
 - Use a spring bender or equivalent to bend the piping so that the piping is not crushed.
- Step-3 Pull the connection cable into Indoor Unit
 - The inside and outside connection cable can be connected without removing the front grille.
- Step-4 Cut and flare the embedded piping
 - When determining the dimensions of the piping, slide the unit all the way to the left on the installation plate.
 - Refer to the section "Cutting and flaring the piping".
- Step-5 Install the Indoor Unit
- Step-6 Connect the piping
 - Please refer to "Connecting the piping" column in outdoor unit section. (Below steps are done after connecting the outdoor piping and gas-leakage confirmation.)
- Step-7 Insulate and finish the piping
 - Please refer to "Insulation of piping connection" column as mentioned in indoor/outdoor unit installation.
- Step-8 Secure the Indoor Unit

Right Rear piping

How to keep the cover
In case of the cover is cut, keep the cover at the rear of chassis as shown in the illustration for future reinstallation. (Left and 2 bottom covers for piping.)

Right and Right Bottom piping

Install the indoor unit

Hook the indoor unit onto the upper portion of installation plate. (Engage the indoor unit with the upper edge of the installation plate). Ensure the hooks are properly seated on the installation plate by moving it in left and right.

Secure the Indoor Unit

1. Press the lower left and right side of the unit against the installation plate until hooks engages with their slot (sound click).

To take out the unit, push the **PUSH** marking at the bottom unit, and pull it slightly towards you to disengage the hooks from the unit.

Insert the connection cable

(This can be used for left rear piping and bottom piping also.)

Replace the drain hose

Rear view for left piping installation

Drain cap Drain hose

Connection cable

Adjust the piping slightly downwards.

Connection cable

Piping

Drain hose

More than 37 13/32" (950 mm)

Sleeve for piping hole

- How to pull the piping and drain hose out, in case of embedded piping.

Apply putty or caulking material to seal the wall opening.

More than 27 9/16" (700 mm)

More than 37 13/32" (950 mm)

Connection cable

Piping

Drain hose from main unit

More than 18 1/2" (470 mm)

PVC tube (VP-65) for piping and connection cable

PVC tube for drain hose (VP-20)

PVC tube for drain hose (VP-30)

PVC tube for drain hose

Cable

Piping

Indoor unit

3 15/16" (100 mm)

- How to insert the connection cable and drain hose in the case of left piping.

45°

Drain hose

Cable

Piping

(For right piping, follow the same procedure)

Drain hose adapter [9] usage

- Join indoor drain hose to 3/4" (20 mm) nominal PVC pipe size by using drain hose adapter [9] when necessary.

Remarks :

Make sure indoor unit drain hose & 3/4" (20 mm) nominal PVC pipe are fully inserted to drain hose adapter [9].

Indoor unit drain hose

Close joint by Vinyl Tape (X)

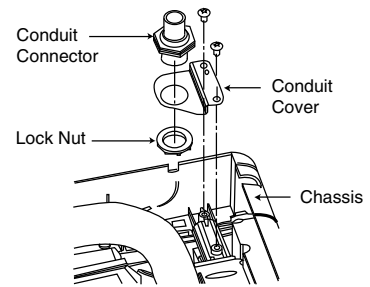
Drain hose adapter [9]

3/4" (20 mm) nominal PVC pipe

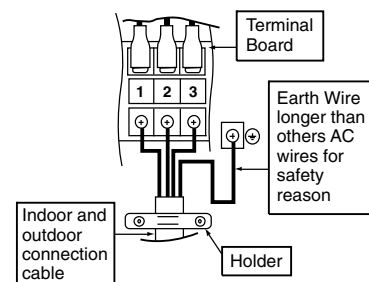
- Install incline downward more than 1°
- Apply PVC glue at the join.

11.2.4 Connect the Cable to the Indoor Unit

1. The inside and outside connection cable can be connected without removing the front grille.
 2. Unscrew the conduit cover and fix the conduit connector to conduit cover with lock nut, then secure it against chassis.
 3. Connection cable between indoor unit and outdoor unit should be UL listed or CSA approved 4 conductor wires minimum AWG16 in accordance with local electric codes.
 4. Connection cable between indoor unit and outdoor unit should be UL listed or CSA approved 4 conductor wires minimum AWG16 in accordance with local electric codes.
 - Ensure the colour of wires of outdoor unit and terminal number are the same as the indoor's respectively.
- Earth lead wire shall be Yellow/Green (Y/G) in colour and shall be longer than other lead wires as shown in the figure for electrical safety in case of the slipping.



Rear Side of Indoor Unit



| | | | | |
|------------------------------------|---|---|---|--|
| Terminals on the indoor unit | 1 | 2 | 3 | |
| Colour of wires (connection cable) | | | | |
| Terminals on the outdoor unit | 1 | 2 | 3 | |

⚠ WARNING

This equipment must be properly earthed.

11.2.5 Wiring Stripping and connecting requirement

Wire stripping

No loose strand when inserted

13/32" ± 1/16"
(10±1 mm)

Indoor/outdoor connection terminal board

7/32" (5 mm) or more
(gap between wires)

Conductor fully inserted

ACCEPT

Conductor over inserted

PROHIBITED

Conductor not fully inserted

PROHIBITED

WARNING

RISK OF FIRE
JOINING OF WIRES MAY CAUSE OVERHEATING AND FIRE.

Do not joint wires

OR

OR

- ❗ Use complete wire without joining.
- ❗ Use approved socket and plug with earth pin.
- ❗ Wire connection in this area must follow to national wiring rules.

11.2.5.1 Cutting and flaring the piping

- 1 Please cut using pipe cutter and then remove the burrs.
- 2 Remove the burrs by using reamer. If burrs are not removed, gas leakage may be caused. Turn the piping end down to avoid the metal powder entering the pipe.
- 3 Please make flare after inserting the flare nut onto the copper pipes.

1. To cut

2. To remove burrs

3. To flare

0 - 1/32"
(0-0.5 mm)

Bar
Copper pipe

■ Improper flaring ■

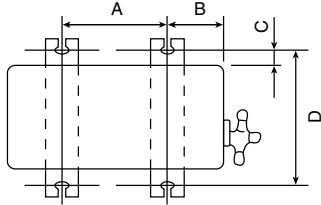
Inclined Surface Cracked Uneven
damaged thickness

When properly flared, the internal surface of the flare will evenly shine and be of even thickness. Since the flare part comes into contact with the connections, carefully check the flare finish.

11.3 Outdoor Unit

11.3.1 Install the Outdoor Unit

- After selecting the best location, start installation according to indoor/outdoor unit installation diagram.
 - Fix the unit on concrete or rigid frame firmly and horizontally by bolt nut ($\phi 13/32"$ ($\phi 10$ mm)).
 - When installing at roof, please consider strong wind and earthquake.
Please fasten the installation stand firmly with bolt or nails.



| Model | A | B | C | D |
|-----------------|----------------------|--------------------|---------------------|-----------------------|
| E9RKUA, E12RKUA | 22-7/16" (570 mm) | 4-1/8" (105 mm) | 23/32" (18.5 mm) | 12-19/32" (320 mm) |

11.3.2 Connect the Piping

11.3.2.1 Connecting the piping to indoor

Please make flare after inserting flare nut (locate at joint portion, of tube assembly) onto the copper pipe. (In case of using long piping)

Connect the piping

- Align the center of piping and sufficiently tighten the flare nut with fingers.
- Further tighten the flare nut with torque wrench in specified torque as stated in the table.

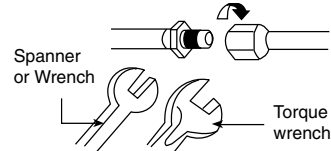
| Do not over tighten, over tightening may cause gas leakage. | |
|---|------------------------------------|
| Piping size | Torque |
| 1/4" (6.35 mm) | 13.3 lbf.ft [18 N•m (1.8 kgf•m)] |
| 3/8" (9.52 mm) | 31.0 lbf.ft [42 N•m (4.3 kgf•m)] |
| 1/2" (12.7 mm) | 40.6 lbf.ft [55 N•m (5.6 kgf•m)] |
| 5/8" (15.88 mm) | 47.9 lbf.ft [65 N•m (6.6 kgf•m)] |
| 3/4" (19.05 mm) | 73.8 lbf.ft [100 N•m (10.2 kgf•m)] |

11.3.2.2 Connecting the piping to outdoor

Decide piping length and then cut by using pipe cutter. Remove burrs from cut edge.

Make flare after inserting the flare nut (locate at valve) onto the copper pipe.

Align center of piping to valves and then tighten with torque wrench to the specified torque as stated in the table.

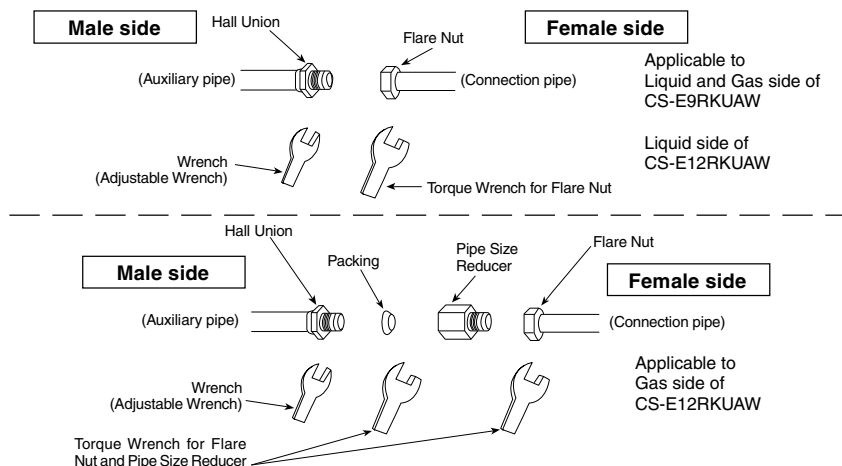


11.3.2.3 Connecting the piping to outdoor multi

Decide piping length and then cut by using pipe cutter. Remove burrs from cut edge.

Make flare after inserting the flare nut (locate at valve) onto the copper pipe.

Align center of piping to valve and then tighten with torque wrench to the specified torque as stated in the table.



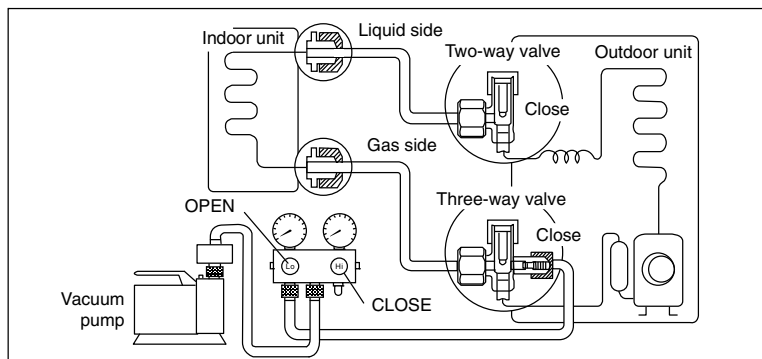
11.3.2.4 Gas Leak Checking

Pressure test to system to 400 PSIG with dry nitrogen, in stages. Thoroughly leak check the system.

If the pressure holds, release the nitrogen and proceed to section 11.3.3.

11.3.3 Evacuation of the equipment

WHEN INSTALLING AN AIR CONDITIONER, BE SURE TO EVACUATE THE AIR INSIDE THE INDOOR UNIT AND PIPES in the following procedures.

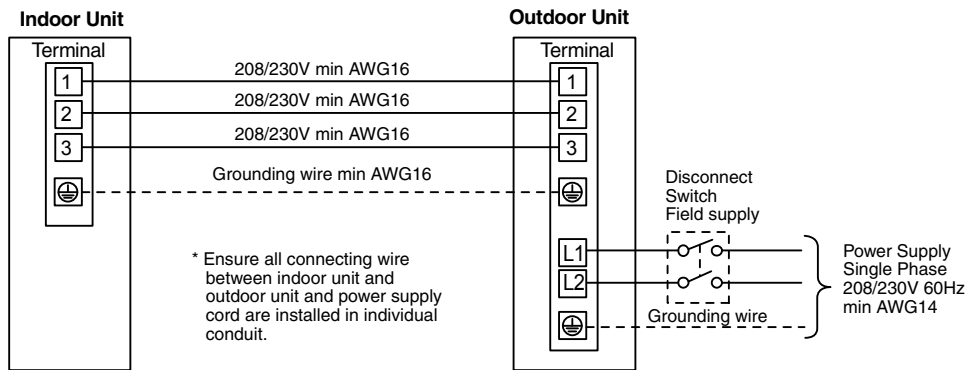
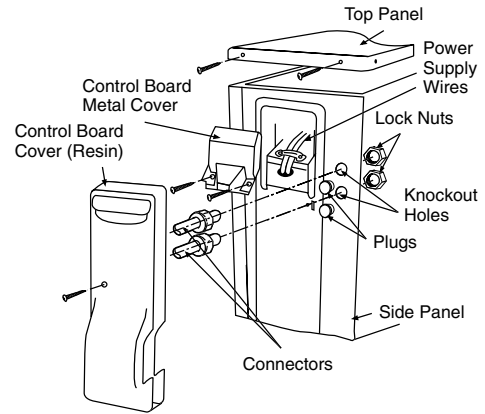


1. Connect a charging hose with a push pin to the Low side of a charging set and the service port of the 3-way valve.
2. Connect the micron gauge between vacuum pump and service port of outdoor units.
3. Turn on the power switch of the vacuum pump and make sure that connect digital micron gauge and to pull down to a value of 500 microns.
4. To make sure micron gauge a value 500 microns and close the low side valve of the charging set and turn off the vacuum pump.
5. Disconnect the vacuum pump house from the service port of the 3-way valve.
6. Tighten the service port caps of the 3-way valve at a torque of 13.3 lbf.ft (18 N•m) with a torque wrench.
7. Remove the valve caps of both of the 2-way valve and 3-way valve. Position both of the valves to "Open" using a hexagonal wrench (5/32" (4 mm)).
8. Mount valve caps onto the 2-way valve and the 3-way valve.
 - o Be sure to check for gas leakage.

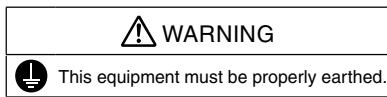
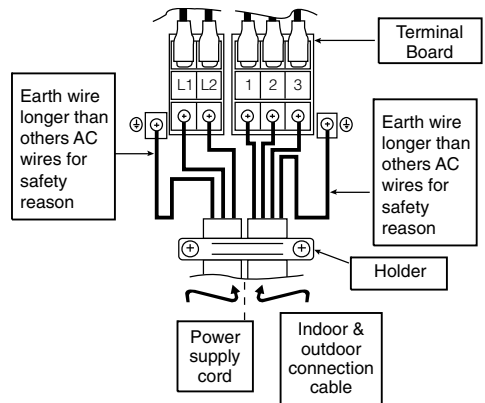
- If micron gauge value does not descend 500 microns, take the following measures:
 - If the leak stops when the piping connections are tightened further, continue working from step ③.
 - If the leak does not stop when the connections are retightened, repair location of leak.
 - Do not release refrigerant during piping work for installation and reinstallation.
 - Be careful with the liquid refrigerant, it may cause frostbite.

11.3.3.1 Connect the Cable to the Outdoor Unit

1. Remove Top panel.
2. Remove Control Board Cover (Resin and Metal).
3. Remove Plugs.
4. Fix the conduit connectors to the knockout holes with lock-nuts, then secure them against the side panel.
5. All wires pass through conduits.
6. Connection cable between indoor unit and outdoor unit should be UL listed or CSA approved 4 conductor wires minimum AWG16 in accordance with local electric codes.
7. Wire connection to the power supply (208/230V 60Hz) through circuit breaker.
 - Connect the UL listed or CSA approved wires minimum AWG14 to the terminal board, and connect the other end of the wires to ELCB / GFCI.
8. Connect the power supply cord and connection cable between indoor unit and outdoor unit according to the diagram below.



9. Secure the wire onto the control board with the holder (clammer).
10. After completing wiring connections, reattach the control board cover (Metal and Resin) and the top panel to the original position with the screws.
11. For wire stripping and connection requirement, refer to instruction 11.2.5 of indoor unit.



- Earth lead wire shall be Yellow/Green (Y/G) in colour and shall be longer than other lead wires as shown in the figure for electrical safety in case of the slipping.

11.3.3.2 Piping Insulation

1. Please carry out insulation at pipe connection portion as mentioned in Indoor/Outdoor Unit Installation Diagram. Please wrap the insulated piping end to prevent water from going inside the piping.
2. If drain hose or connecting piping is in the room (where dew may form), please increase the insulation by using POLY-E FOAM with thickness 1/4" (6 mm) or above.

12. Installation Instruction (E18RK and E24RK)

12.1 Select the Best Location

12.1.1 Indoor Unit

- Do not install the unit in excessive oil fume area such as kitchen, workshop and etc.
- There should not be any heat source or steam near the unit.
- There should not be any obstacles blocking the air circulation.
- A place where air circulation in the room is good.
- A place where drainage can be easily done.
- A place where noise prevention is taken into consideration.
- Do not install the unit near the door way.
- Ensure the spaces indicated by arrows from the wall, ceiling, fence or other obstacles.
- Recommended installation height for indoor unit shall be at least 8 ft (2.4 m).

12.1.2 Outdoor Unit

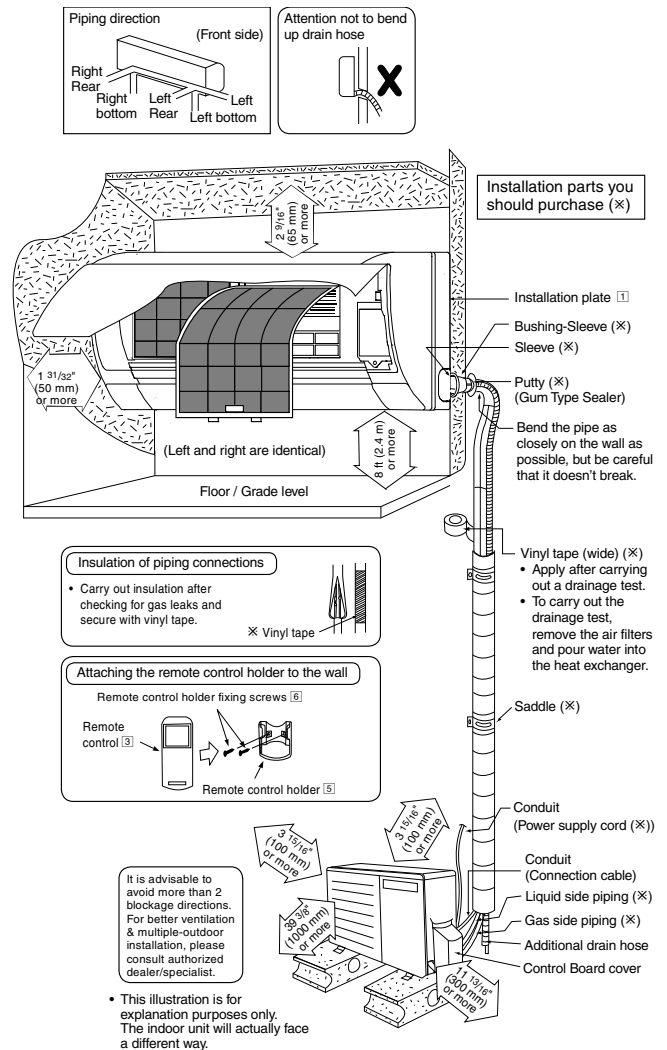
- If an awning is built over the unit to prevent direct sunlight or rain, be careful that heat radiation from the condenser is not obstructed.
- There should not be any animal or plant which could be affected by hot air discharged.
- Keep the spaces indicated by arrows from wall, ceiling, fence or other obstacles.
- Do not place any obstacles which may cause a short circuit of the discharged air.
- If piping length is over the [piping length for additional gas], additional refrigerant should be added as shown in the table.
- Recommended installation height for outdoor unit should be above the seasonal snow level.

| Model | Capacity (Btu/h) | Piping size | | Std. Length | Max. Elevation | Min. Piping Length | Max. Piping Length | Additional Refrigerant | Piping Length for add. gas |
|---------|------------------|-----------------|----------------|-----------------|----------------|--------------------|--------------------|------------------------|----------------------------|
| | | Gas | Liquid | | | | | | |
| E18RKUA | 17200 | 1/2" (12.7 mm) | 1/4" (6.35 mm) | 24.6 ft (7.5 m) | 49.2 ft (15 m) | 9.8 ft (3 m) | 100.0 ft (30.5 m) | 0.3 oz/ft (25 g/m) | 32.8 ft (10 m) |
| E24RKUA | 24000 | 5/8" (15.88 mm) | 1/4" (6.35 mm) | 24.6 ft (7.5 m) | 49.2 ft (15 m) | 9.8 ft (3 m) | 100.0 ft (30.5 m) | 0.3 oz/ft (25 g/m) | 32.8 ft (10 m) |

Example: For E18RKUA

If the unit is installed at 41 ft (12.5 m) distance, the quantity of additional refrigerant should be 2.46 oz (62.5 g) (41 - 32.8) ft x 0.3 oz/ft = 2.46 oz. ((12.5 - 10) m x 25 g/m = 62.5 g).

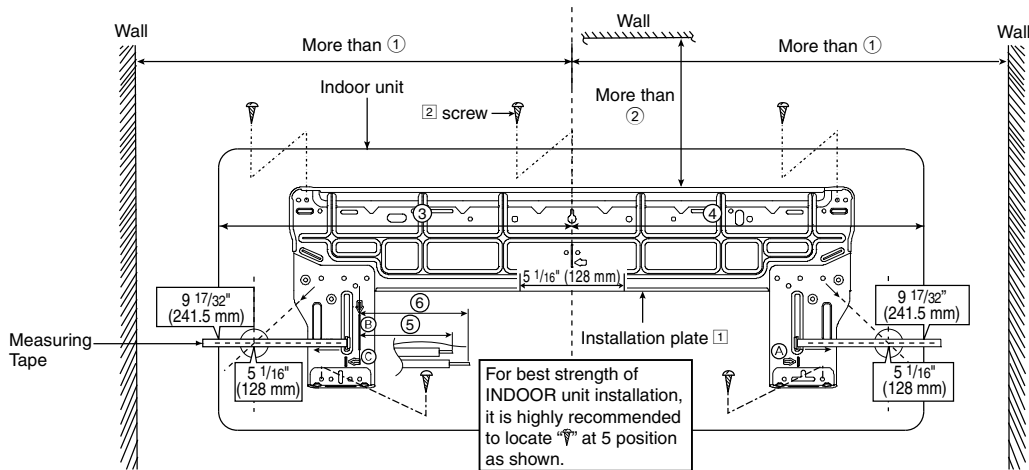
12.1.3 Indoor/Outdoor Unit Installation Diagram



12.2 Indoor Unit

12.2.1 How to Fix Installation Plate

The mounting wall shall be strong and solid enough to prevent it from the vibration.



| Model | Dimension | | | | | |
|------------------|----------------------|--------------------|----------------------|-----------------------|----------------------|--------------------|
| | ① | ② | ③ | ④ | ⑤ | ⑥ |
| E18RKUA, E24RKUA | 23 7/32" (590 mm) | 3 7/32" (82 mm) | 21 7/32" (539 mm) | 20 15/16" (532 mm) | 6 21/32" (169 mm) | 8 5/8" (219 mm) |

The center of installation plate should be at more than ① at right and left of the wall.

The distance from installation plate edge to ceiling should more than ②.

From installation plate left edge to unit's left side is ③.

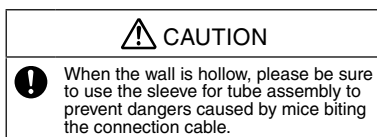
From installation plate right edge to unit's right side is ④.

- Ⓜ : For left side piping, piping connection for liquid should be about ⑤ from this line.
 : For left side piping, piping connection for gas should be about ⑥ from this line.

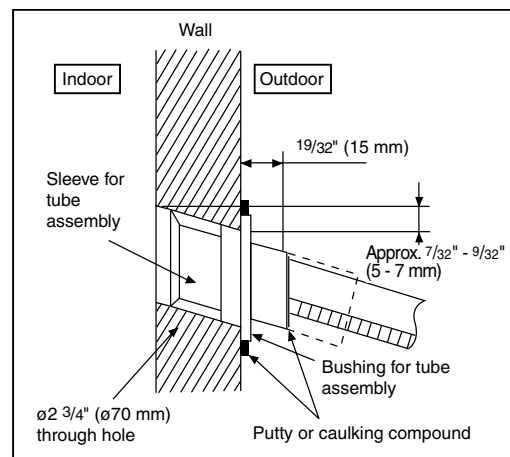
- Mount the installation plate on the wall with 5 screws or more (at least 5 screws).
(If mounting the unit on the concrete wall, consider using anchor bolts.)
 - Always mount the installation plate horizontally by aligning the marking-off line with the thread and using a level gauge.
- Drill the piping plate hole with $\varnothing 2\ 3/4"$ ($\varnothing 70$ mm) hole-core drill.
 - Line according to the left and right side of the installation plate. The meeting point of the extended line is the center of the hole. Another method is by putting measuring tape at position as shown in the diagram above. The hole center is obtained by measuring the distance namely $5\ 1/16"$ (128 mm) for left and right hole respectively.
 - Drill the piping hole at either the right or the left and the hole should be slightly slanting to the outdoor side.

12.2.2 To Drill a Hole in the Wall and Install a Sleeve of Piping

- Insert the piping sleeve to the hole.
- Fix the bushing to the sleeve.
- Cut the sleeve until it extrudes about $19/32"$ (15 mm) from the wall.



- Finish by sealing the sleeve with putty or caulking compound at the final stage.



12.2.3 Indoor Unit Installation

Do not turn over the unit without its shock absorber during pull out the piping. It may cause intake grille damage. Use shock absorber during pull out the piping to protect the intake grille from damage.



12.2.3.1 For the right rear piping

- Step-1 Pull out the Indoor piping
- Step-2 Install the Indoor Unit
- Step-3 Secure the Indoor Unit
- Step-4 Insert the connection cable

12.2.3.2 For the right bottom piping

- Step-1 Pull out the Indoor piping
- Step-2 Install the Indoor Unit
- Step-3 Insert the connection cable
- Step-4 Secure the Indoor Unit

12.2.3.3 For the embedded piping

- Step-1 Replace the drain hose
- Step-2 Bend the embedded piping
 - Use a spring bender or equivalent to bend the piping so that the piping is not crushed.
- Step-3 Pull the connection cable into Indoor Unit
 - The inside and outside connection cable can be connected without removing the front grille.
- Step-4 Cut and flare the embedded piping
 - When determining the dimensions of the piping, slide the unit all the way to the left on the installation plate.
 - Refer to the section "Cutting and flaring the piping".
- Step-5 Install the Indoor Unit
- Step-6 Connect the piping
 - Please refer to "Connecting the piping" column in outdoor unit section. (Below steps are done after connecting the outdoor piping and gas-leakage confirmation.)
- Step-7 Insulate and finish the piping
 - Please refer to "Piping and finishing" column of outdoor section and "Insulation of piping connection" column as mentioned in indoor/outdoor unit installation.
- Step-8 Secure the Indoor Unit

Right Rear piping

How to keep the cover
In case of the cover is cut, keep the cover at the rear of chassis as shown in the illustration for future reinstallation. (Left and 2 bottom covers for piping.)

Right and Right Bottom piping

Install the indoor unit

Hook the indoor unit onto the upper portion of installation plate. (Engage the indoor unit with the upper edge of the installation plate). Ensure the hooks are properly seated on the installation plate by moving it in left and right.

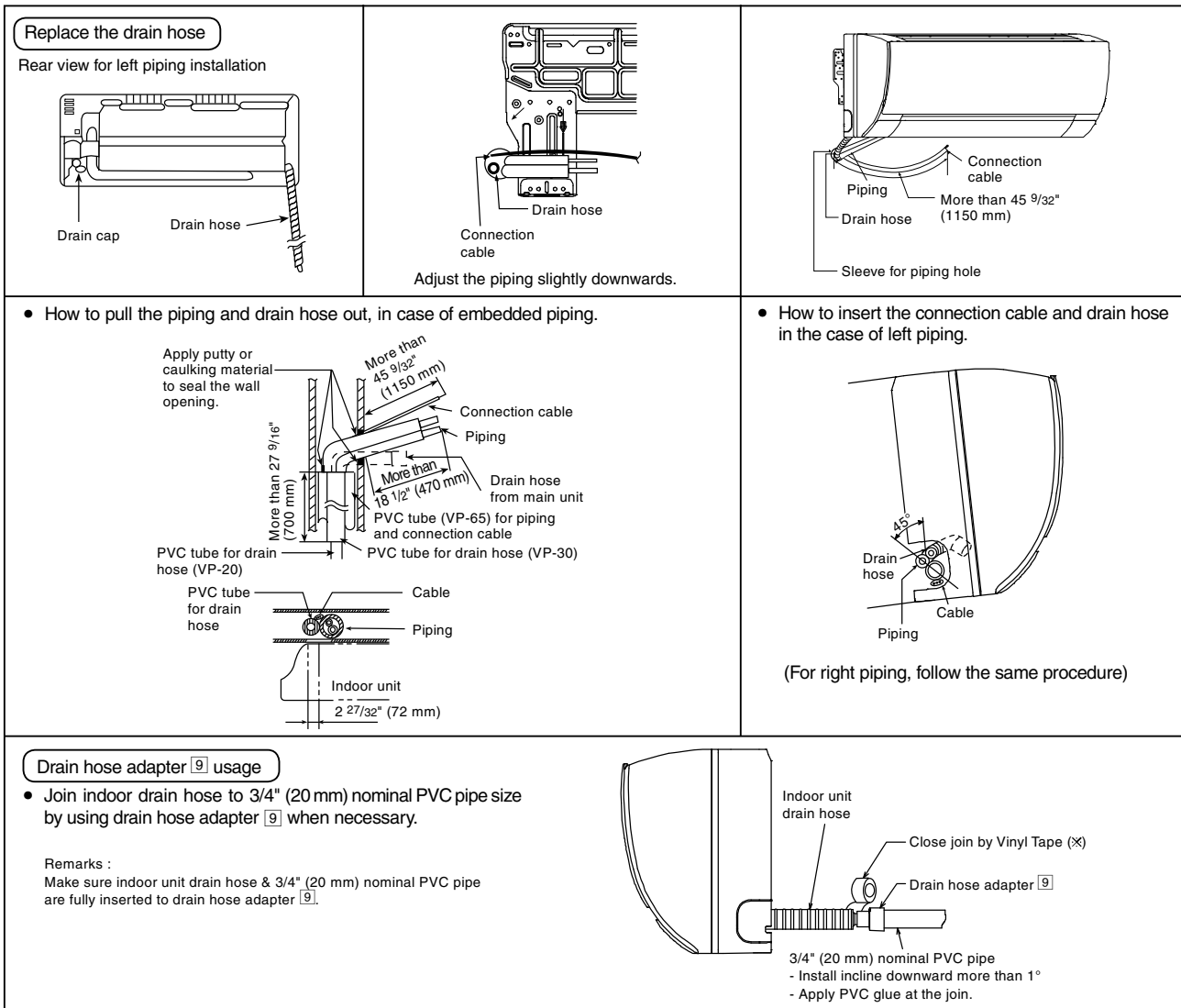
Secure the Indoor Unit

1. Press the lower left and right side of the unit against the installation plate until hooks engages with their slot (sound click).

To take out the unit, push the **PUSH** marking at the bottom unit, and pull it slightly towards you to disengage the hooks from the unit.

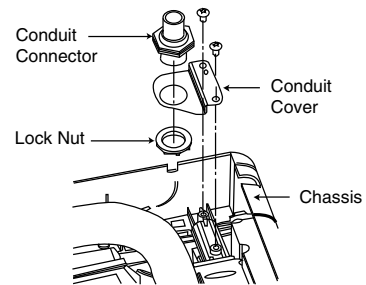
Insert the connection cable

(This can be used for left rear piping and bottom piping also.)



12.2.4 Connect the Cable to the Indoor Unit

1. The inside and outside connection cable can be connected without removing the front grille.
2. Unscrew the conduit cover and fix the conduit connector to conduit cover with lock nut, then secure it against chassis.
3. Connecting wire between indoor unit and outdoor unit should be UL listed or CSA approved 4 conductor wires minimum AWG16 in accordance with local electric codes.
 - Ensure the colour of wires of outdoor unit and terminal number are the same as the indoor's respectively.



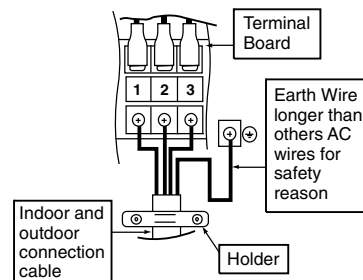
Rear Side of Indoor Unit

| | | | | |
|-----------------------------------|---|---|---|--|
| Terminals on the indoor unit | 1 | 2 | 3 | |
| Colour of wires (Connecting wire) | | | | |
| Terminals on the outdoor unit | 1 | 2 | 3 | |

⚠ WARNING

This equipment must be properly earthed.

- Earth lead wire shall be Yellow/Green (Y/G) in colour and shall be longer than other lead wires as shown in the figure for electrical safety in case of the slipping.



12.2.5 Wiring Stripping and connecting requirement

Wire stripping

No loose strand when inserted

$13/32" \pm 1/16"$
(10 ± 1 mm)

Indoor/outdoor connection terminal board

$7/32" (5 \text{ mm})$ or more
(gap between wires)

Conductor fully inserted

ACCEPT

Conductor over inserted

PROHIBITED

Conductor not fully inserted

PROHIBITED

WARNING

RISK OF FIRE
JOINING OF WIRES MAY CAUSE OVERHEATING AND FIRE.

Do not joint wires

OR

- ! Use complete wire without joining.
- ! Use approved socket and plug with earth pin.
- ! Wire connection in this area must follow to national wiring rules.

12.2.5.1 Cutting and flaring the piping

- 1 Please cut using pipe cutter and then remove the burrs.
- 2 Remove the burrs by using reamer. If burrs are not removed, gas leakage may be caused. Turn the piping end down to avoid the metal powder entering the pipe.
- 3 Please make flare after inserting the flare nut onto the copper pipes.

1. To cut

2. To remove burrs

3. To flare

0 - 1/32" (0-0.5 mm)

Bar
Copper pipe

■ Improper flaring ■

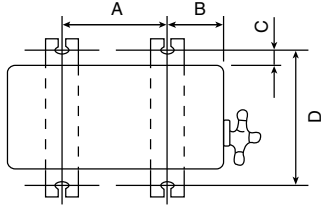
Inclined Surface Cracked Uneven
damaged thickness

When properly flared, the internal surface of the flare will evenly shine and be of even thickness. Since the flare part comes into contact with the connections, carefully check the flare finish.

12.3 Outdoor Unit

12.3.1 Install the Outdoor Unit

- After selecting the best location, start installation according to indoor/outdoor unit installation diagram.
 - Fix the unit on concrete or rigid frame firmly and horizontally by bolt nut $\varnothing 13/32"$ ($\varnothing 10$ mm).
 - When installing at roof, please consider strong wind and earthquake.
Please fasten the installation stand firmly with bolt or nails.



| Model | A | B | C | D |
|---------------------|---------------------|---------------------|-----------------|------------------------|
| E18RKUA, E24RKUA | 24-1/8" (613 mm) | 5 5/32" (131 mm) | 5/8" (16 mm) | 14 3/16" (360.5 mm) |

12.3.2 Connect the Piping

12.3.2.1 Connecting the piping to indoor

Please make flare after inserting flare nut (locate at joint portion, of tube assembly) onto the copper pipe. (In case of using long piping)

Connect the piping

- Align the center of piping and sufficiently tighten the flare nut with fingers.
- Further tighten the flare nut with torque wrench in specified torque as stated in the table.

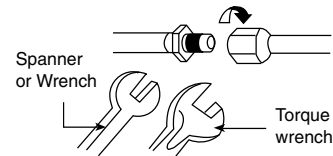
| Do not over tighten, over tightening may cause gas leakage. | |
|---|------------------------------------|
| Piping size | Torque |
| 1/4" (6.35 mm) | 13.3 lbf.ft [18 N•m (1.8 kgf•m)] |
| 3/8" (9.52 mm) | 31.0 lbf.ft [42 N•m (4.3 kgf•m)] |
| 1/2" (12.7 mm) | 40.6 lbf.ft [55 N•m (5.6 kgf•m)] |
| 5/8" (15.88 mm) | 47.9 lbf.ft [65 N•m (6.6 kgf•m)] |
| 3/4" (19.05 mm) | 73.8 lbf.ft [100 N•m (10.2 kgf•m)] |

12.3.2.2 Connecting the piping to outdoor

Decide piping length and then cut by using pipe cutter. Remove burrs from cut edge.

Make flare after inserting the flare nut (locate at valve) onto the copper pipe.

Align center of piping to valves and then tighten with torque wrench to the specified torque as stated in the table.

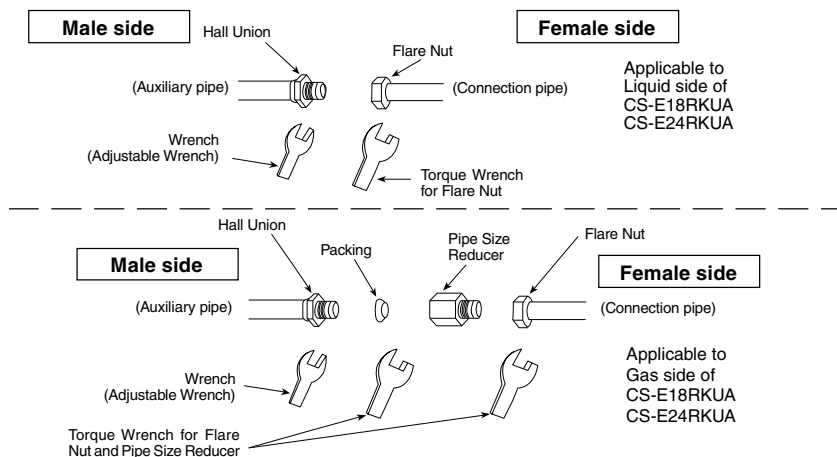


12.3.2.3 Connecting the piping to outdoor multi

Decide piping length and then cut by using pipe cutter. Remove burrs from cut edge.

Make flare after inserting the flare nut (locate at valve) onto the copper pipe.

Align center of piping to valve and then tighten with torque wrench to the specified torque as stated in the table.

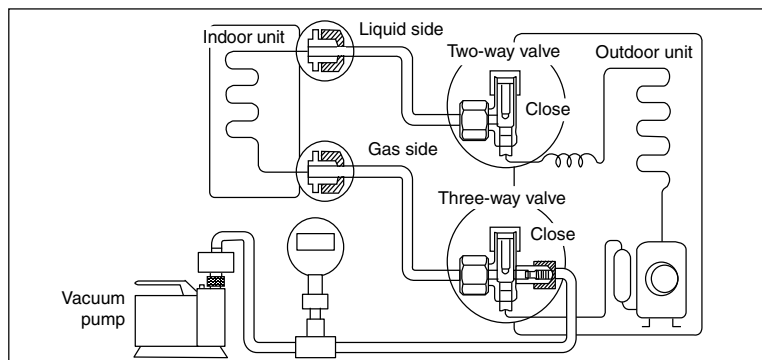


12.3.2.4 Gas Leak Checking

Pressure test to system to 400 PSIG with dry nitrogen, in stages. Thoroughly leak check the system.

If the pressure holds, release the nitrogen and proceed to section 12.3.3.

12.3.3 Evacuation of the equipment

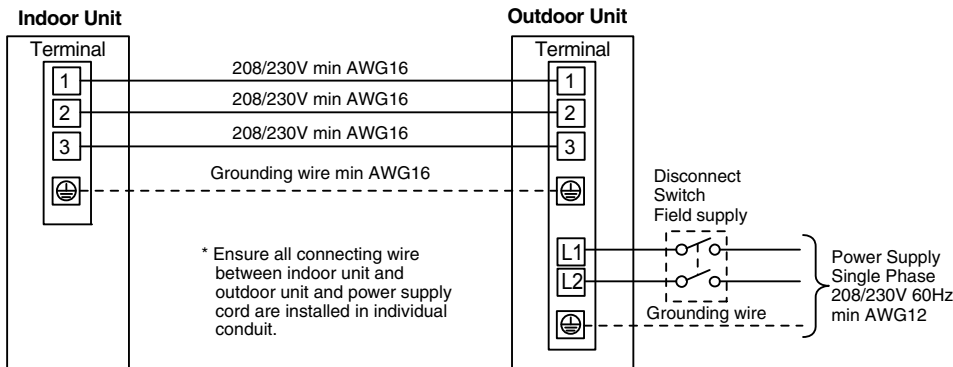


1. Connect a charging hose with a push pin to the Low side of a charging set and the service port of the 3-way valve.
2. Connect the micron gauge between vacuum pump and service port of outdoor units.
3. Turn on the power switch of the vacuum pump and make sure that connect digital micron gauge and to pull down to a value of 500 microns.
4. To make sure micron gauge a value 500 microns and close the low side valve of the charging set and turn off the vacuum pump.
5. Disconnect the vacuum pump house from the service port of the 3-way valve.
6. Tighten the service port caps of the 3-way valve at a torque of 13.3 lbf•ft (18 N•m) with a torque wrench.
7. Remove the valve caps of both of the 2-way valve and 3-way valve. Position both of the valves to "Open" using a hexagonal wrench (5/32" (4 mm)).
8. Mount valve caps onto the 2-way valve and the 3-way valve.
 - Be sure to check for gas leakage.

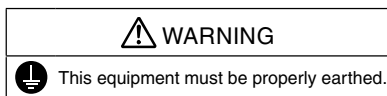
- If micron gauge value does not descend 500 microns, take the following measures:
 - If the leak stops when the piping connections are tightened further, continue working from step ③.
 - If the leak does not stop when the connections are retightened, repair location of leak.
 - Do not release refrigerant during piping work for installation and reinstallation.
 - Be careful with the liquid refrigerant, it may cause frostbite.

12.3.3.1 Connect the Cable to the Outdoor Unit

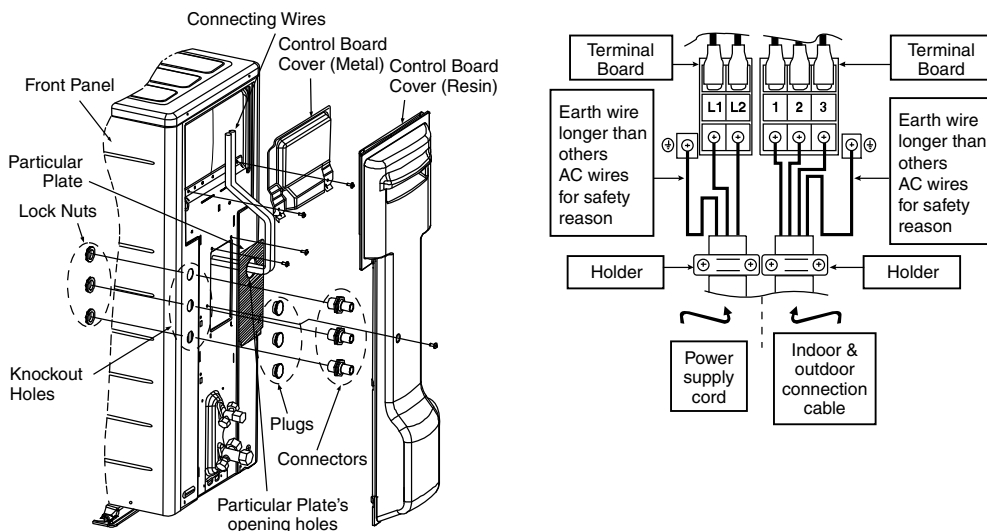
1. Remove control board cover (Resin and Metal).
2. Remove particular plate.
3. Remove plugs.
4. Fix the conduit connectors to the knockout holes with lock-nuts, then secure them against the side panel.
5. All wires pass through conduits & particular plate's opening hole.
6. Connecting wire between indoor unit and outdoor unit should be UL listed or CSA approved 4 conductor wires minimum AWG16 in accordance with local electric codes.
7. Wire connection to the power supply (208/230V 60Hz) through circuit breaker.
 - o Connect the UL listed or CSA approved wires minimum AWG12 to the terminal board, and connect the other end of the wires to ELCB / GFCI.
8. Connect the power supply cord and connecting wire between indoor unit and outdoor unit according to the diagram below.



9. Secure the wire onto the control board with the holder (clammer).
10. After completing wiring connections, reattach the control board cover (Metal and Resin) and the top panel to the original position with the screws.
11. For wire stripping and connection requirement, refer to instruction 12.2.5 of indoor unit.



- Earth lead wire shall be Yellow/Green (Y/G) in colour and longer than other lead wires for electrical safety in case of the slipping.



12.3.3.2 Piping Insulation

1. Please carry out insulation at pipe connection portion as mentioned in Indoor/Outdoor Unit Installation Diagram. Please wrap the insulated piping end to prevent water from going inside the piping.
2. If drain hose or connecting piping is in the room (where dew may form), please increase the insulation by using POLY-E FOAM with thickness 1/4" (6 mm) or above.

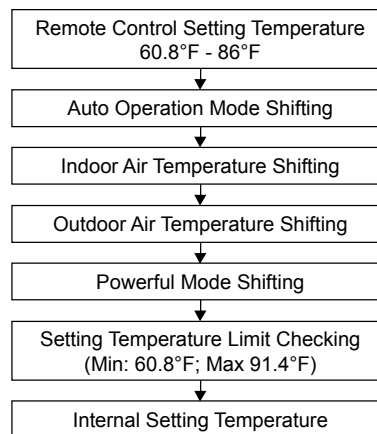
13. Operation Control

13.1 Basic Function

Inverter control, which equipped with a microcomputer in determining the most suitable operation mode as time passes, automatically adjusts output power for maximum comfort always. In order to achieve the suitable operation mode, the microcomputer maintains the set temperature by measuring the temperature of the environment and performing temperature shifting. The compressor at outdoor unit is operating following the frequency instructed by the microcomputer at indoor unit that judging the condition according to internal setting temperature and intake air temperature.

13.1.1 Internal Setting Temperature

Once the operation starts, remote control setting temperature will be taken as base value for temperature shifting processes. These shifting processes are depending on the air conditioner settings and the operation environment. The final shifted value will be used as internal setting temperature and it is updated continuously whenever the electrical power is supplied to the unit.



13.1.2 Cooling Operation

13.1.2.1 Thermostat control

- Compressor is OFF when Intake Air Temperature - Internal Setting Temperature < 2.7°F.
- Compressor is ON after waiting for 3 minutes, if the Intake Temperature - Internal Setting Temperature > Compressor OFF point.

13.1.3 Soft Dry Operation

13.1.3.1 Thermostat control

- Compressor is OFF when Intake Temperature - Internal Setting Temperature < -3.6°F.
- Compressor is ON after waiting for 3 minutes, if the Intake Air Temperature - Internal Setting Temperature > Compressor OFF point.

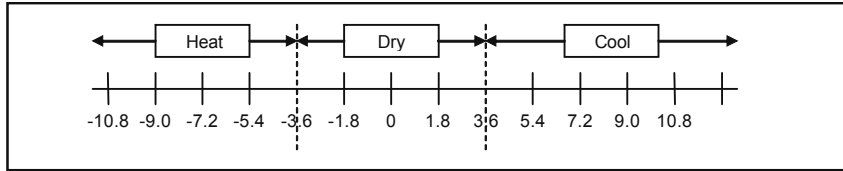
13.1.4 Heating Operation

13.1.4.1 Thermostat control

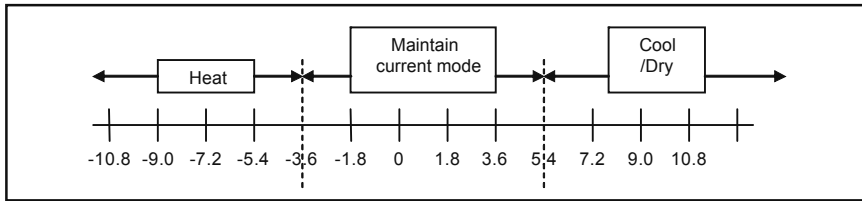
- Compressor is OFF when Intake Temperature - Internal Setting Temperature > 3.6°F.
- Compressor is ON after waiting for 3 minutes, if the Intake Air Temperature - Internal Setting Temperature < Compressor OFF point

13.1.4.2 Automatic Operation (For Single Split Connection Only)

- This mode can be set using remote control and the operation is decided by remote control setting temperature, remote control operation mode and indoor intake air temperature.
- During operation mode judgment, indoor fan motor (with speed of Lo-) is running for 30 seconds to detect the indoor intake air temperature.
- Every 10 minutes, the indoor temperature is judged.
- For the 1st judgment
 - If indoor intake temperature - remote control setting temperature $\geq 3.6^{\circ}\text{F}$, COOL mode is decided.
 - If $-3.6^{\circ}\text{F} \leq$ indoor intake temperature - remote control setting temperature $< 3.6^{\circ}\text{F}$, DRY mode is decided.
 - If indoor intake temperature - remote control setting temperature $< -3.6^{\circ}\text{F}$, HEAT mode is decided.



- For the 2nd judgment onwards
 - If indoor intake temperature - remote control setting temperature $\geq 5.4^{\circ}\text{F}$, if previous operate in DRY mode, then continue in DRY mode. otherwise COOL mode is decided.
 - If $-3.6^{\circ}\text{F} \leq$ indoor intake temperature - remote control setting temperature $< 5.4^{\circ}\text{F}$, maintain with previous mode.
 - If indoor intake temperature - remote control setting temperature $< -3.6^{\circ}\text{F}$, HEAT mode is decided.



13.2 Indoor Fan Speed Control

- Indoor Fan Speed can be set using remote control.

13.2.1 Fan Speed Rotation Chart

| Mode | Fan Tap | Application | E9RKUAW rpm | E12RKUAW rpm | E18RKUAW rpm | E24RKUAW rpm |
|------|---------|-------------|----------------|-----------------|-----------------|-----------------|
| COOL | SHi | Pwr Me+ | 1210 | 1350 | 1480 | 1500 |
| | Hi | Fc, RC | 1120 | 1230 | 1380 | 1400 |
| | Me+ | RC | 1010 | 1110 | 1300 | 1320 |
| | Me | RC | 910 | 1000 | 1220 | 1240 |
| | Me- | RC | 810 | 890 | 1140 | 1160 |
| | Lo | Fcmin, RC | 710 | 780 | 1060 | 1090 |
| | Lo- | QuietLo | 610 | 620 | 970 | 1000 |
| | SLo | Dry | 550 | 560 | 690 | 690 |
| | SSLo | Auto Cut | 540 | 550 | 580 | 580 |

| Mode | Fan Tap | Application | E9RKUAW rpm | E12RKUAW rpm | E18RKUAW rpm | E24RKUAW rpm |
|------|---------|-----------------------|----------------|-----------------|-----------------|-----------------|
| HEAT | SSHHi | Pwr Me+ | 1340 | 1450 | 1500 | 1600 |
| | SHi | Fh, RC | 1250 | 1380 | 1410 | 1500 |
| | Me+ | RC | 1140 | 1290 | 1330 | 1430 |
| | Me | RC | 1040 | 1210 | 1260 | 1360 |
| | Me- | RC | 930 | 1120 | 1190 | 1290 |
| | Lo | Fhmin, RC | 830 | 1040 | 1120 | 1220 |
| | Lo- | QuietLo | 730 | 940 | 1030 | 1110 |
| | SLo | Thermo Off, Hot start | 570 | 570 | 430 | 430 |
| | SSLo | Thermo Off | 560 | 560 | 330 | 330 |

13.3 Indoor Fan Motor Operation

13.3.1 Basic Rotation Speed (rpm)

- Manual Fan Speed
[Cooling, Dry]
 - Fan motor's number of rotation is determined according to remote control setting.

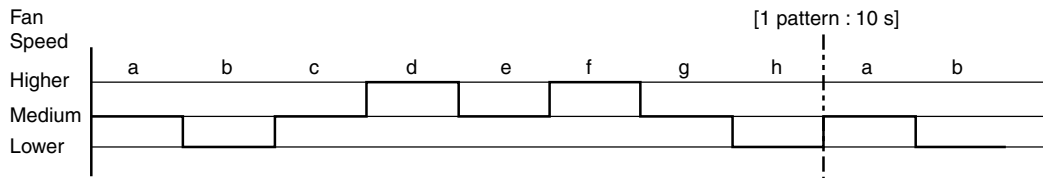
| | | | | | |
|----------------|----|-----|----|-----|----|
| Remote control | ○ | ○ | ○ | ○ | ○ |
| Tab | Hi | Me+ | Me | Me- | Lo |

[Heating]

- Fan motor's number of rotation is determined according to remote control setting.

| | | | | | |
|----------------|-----|-----|----|-----|----|
| Remote control | ○ | ○ | ○ | ○ | ○ |
| Tab | Shi | Me+ | Me | Me- | Lo |

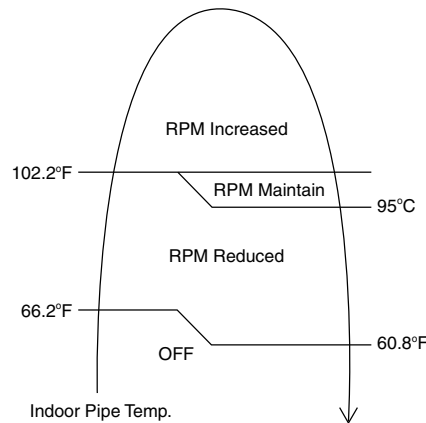
- Auto Fan Speed
[Cooling, Dry]
 - According to room temperature and setting temperature, indoor fan speed is determined automatically.
 - The indoor fan will operate according to pattern below.



- During operation, indoor fan motor may stop due to odor prevention.

[Heating]

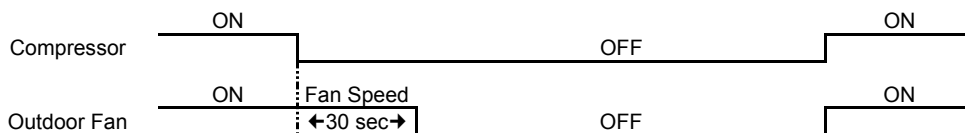
- According to indoor pipe temperature, automatic heating fan speed is determined as follows.



- Feedback control
 - Immediately after the fan motor started, feedback control is performed once every second.
 - During fan motor on, if fan motor feedback ≥ 2550 rpm or < 50 rpm continue for 10 seconds, then fan motor error counter increase, fan motor is then stop and restart. If the fan motor counter becomes 7 times, then H19 - fan motor error is detected. Operation stops and cannot on back.

13.4 Outdoor Fan Motor Operation

Outdoor fan motor is operated with fan speed number of rotation. It starts when compressor starts operation and it stops 30 seconds after compressor stops operation.



13.5 Airflow Direction

- There are two types of airflow, vertical airflow (directed by horizontal vane) and horizontal airflow (directed by vertical vanes).
- Control of airflow direction can be automatic (angles of direction is determined by operation mode, heat exchanger temperature and intake air temperature) and manual (angles of direction can be adjusted using remote control).

13.5.1 Vertical Airflow

13.5.1.1 CU-E9RKUA CU-E12RKUA

| Operation Mode | Airflow Direction | | Vane angle (°) | | | | |
|----------------|--------------------------------------|---|----------------|----|----|----|----|
| | | | 1 | 2 | 3 | 4 | 5 |
| Heating | Auto with Heat Exchanger Temperature | A | 20 | | | | |
| | | B | 57 | | | | |
| | | C | 32 | | | | |
| | Manual | | 20 | 32 | 45 | 57 | 68 |
| Cooling | Auto | | 20 ~ 45 | | | | |
| | Manual | | 20 | 26 | 32 | 37 | 45 |
| Soft Dry | Auto | | 20 ~ 45 | | | | |
| | Manual | | 20 | 26 | 32 | 37 | 45 |

13.5.1.2 CU-E18RKUA CU-E24RKUA

| Operation Mode | Airflow Direction | | Vane angle (°) | | | | |
|----------------|--------------------------------------|---|----------------|----|----|----|----|
| | | | 1 | 2 | 3 | 4 | 5 |
| Heating | Auto with Heat Exchanger Temperature | A | 20 | | | | |
| | | B | 45 | | | | |
| | | C | 32 | | | | |
| | Manual | | 20 | 32 | 45 | 57 | 68 |
| Cooling | Auto | | 20 ~ 45 | | | | |
| | Manual | | 20 | 26 | 32 | 37 | 45 |
| Soft Dry | Auto (Anti-Dew Control) | | 20 ~ 45 | | | | |
| | Manual (Anti-Dew Control) | | 20 | 26 | 32 | 37 | 45 |

- Automatic vertical airflow direction can be set using remote control; the vane swings up and down within the angles as stated above. For heating mode operation, the angle of the vane depends on the indoor heat exchanger temperature as Figure 1 below. When the air conditioner is stopped using remote control, the vane will shift to close position.
- Manual vertical airflow direction can be set using remote control; the angles of the vane are as stated above and the positions of the vane are as Figure 2 below. When the air conditioner is stopped using remote control, the vane will shift to close position.

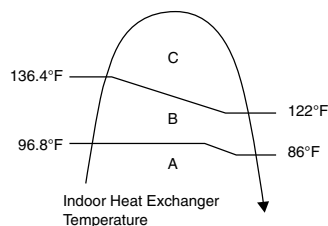


Figure 1

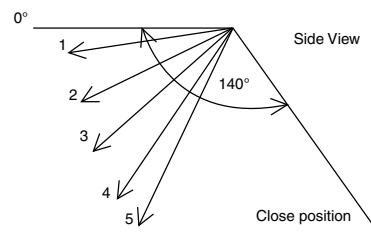


Figure 2

13.5.2 Horizontal Airflow (CU-E9RKUA CU-E12RKUA)

The horizontal airflow direction louvers can be adjusted manually by hand.

13.5.3 Horizontal Airflow (CU-E18RKUA CU-E24RKUA)

- Automatic horizontal airflow direction can be set using remote control; the vane swings left and right within the angles as stated below. For heating mode operation, the angle of the vane depends on the indoor heat exchanger temperature as Figure 1 below.

| Operation Mode | | Vane Angle (°) |
|---|---|----------------|
| Heating with heat exchanger temperature | A | 68 ~ 112 |
| | B | 90 |
| Cooling and Soft Sry | | 68 ~ 112 |

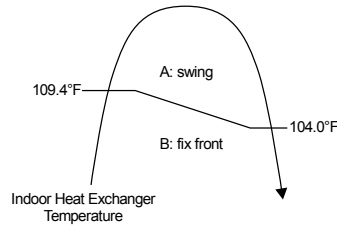


Figure 1

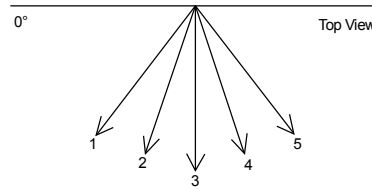


Figure 2

- Manual vertical airflow direction can be set using remote control; the angles of the vane are as stated below and the positions of the vane are as figure below:

| Pattern | 1 | 2 | 3 | 4 | 5 |
|--|----|----|----|-----|-----|
| Airflow Direction Patterns at Remote Control | | | | | |
| Vane Angle (°) | 90 | 68 | 78 | 102 | 112 |

13.6 Quiet Operation (Cooling Mode/Cooling Area of Dry Mode)

- Purpose
 - To provide quiet cooling operation compare to normal operation.
- Control condition
 - Quiet operation start condition
 - When "Quiet" button at remote control is pressed. Quiet LED illuminates.
 - Quiet operation stop condition
 - When one of the following conditions is satisfied, quiet operation stops:
 - POWERFUL/QUIET button is pressed.
 - Stop by OFF/ON button.
 - OFF Timer activates.
 - POWERFUL/QUIET button is pressed again.
 - When quiet operation is stopped, operation is shifted to normal operation with previous setting.
 - When fan speed is changed, quiet operation is shifted to quiet operation of the new fan speed.
 - When operation mode is changed, quiet operation is shifted to quiet operation of the new mode.
 - During quiet operation, if ON timer activates, quiet operation maintains.
 - After off, when on back, quiet operation is not memorised.
- Control contents
 - Auto fan speed is change from normal setting to quiet setting of respective fan speed. This is to reduce sound of Hi, Me, Lo for 3dB.
 - Manual fan speed for quiet operation is -1 step from setting fan speed.

13.7 Quiet Operation (Heating)

- Purpose
 - To provide quiet heating operation compare to normal operation.
- Control condition
 - Quiet operation start condition
 - When “POWERFUL/QUIET” button at remote control is pressed.
Quiet LED illuminates.
 - Quiet operation stop condition
 - When one of the following conditions is satisfied, quiet operation stops:
 - Stop by OFF/ON button.
 - Timer “off” activates.
 - POWERFUL/QUIET button is pressed again.
 - When quiet operation is stopped, operation is shifted to normal operation with previous setting.
 - When fan speed is changed, quiet operation is shifted to quiet operation of the new fan speed.
 - When operation mode is changed, quiet operation is shifted to quiet operation of the new mode.
 - During quiet operation, if timer “on” activates, quiet operation maintains.
 - After off, when on back, quiet operation is not memorised.
- Control contents
 - Fan speed auto
 - Indoor FM RPM depends on pipe temperature sensor of indoor heat exchanger. Auto fan speed is changed from normal setting to quiet setting of respective fan speed. This is to reduce sound of Hi, Me, Lo for 3dB.
 - Fan speed manual
 - Manual fan speed for quiet operation is -1 step from setting fan speed.

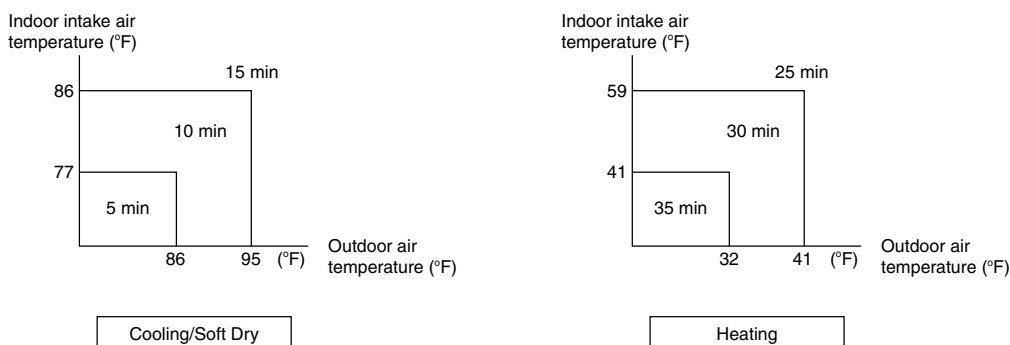
13.8 Powerful Mode Operation

- When the powerful mode is selected, the internal setting temperature will shift lower up to 3.6°F (for Cooling/Soft Dry) or higher up to 6.3°F (for Heating) than remote control setting temperature for 20 minutes to achieve the setting temperature quickly.

13.9 Timer Control

13.9.1 ON Timer Control

- ON Timer can be set using remote control, where the unit with timer set will start operation earlier than the setting time. This is to provide a comfortable environment when reaching the set ON time.
- 60 minutes before the set ON time, indoor (at fan speed of Lo-) and outdoor fan motor start operation for 30 seconds to determine the indoor intake air temperature and outdoor air temperature in order to judge the operation starting time.
- From the above judgment, the decided operation will start operation earlier than the set time as shown below.



13.9.2 OFF Timer Control

- OFF Timer can be set using remote control, the unit with timer set will stop at set time.

13.10 Auto Restart Control

- When the power supply is cut off during the operation of air conditioner, the compressor will re-operate within three to four minutes (there are 10 patterns between 2 minutes 58 seconds and 3 minutes 52 seconds to be selected randomly) after power supply resumes.
- This type of control is not applicable during ON/OFF Timer setting.

13.11 Indication Panel

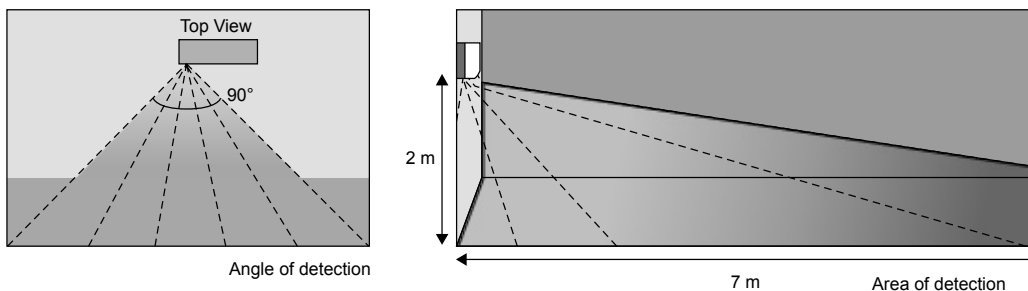
| LED | POWER | TIMER | QUIET | POWERFUL | AUTO COMFORT | ECONAVI |
|-----------|---------------|-------------------|----------------|-------------------|------------------|------------------|
| Color | Green | Orange | Orange | Orange | Green | Green |
| Light ON | Operation ON | Timer Setting ON | Quiet Mode ON | Powerful Mode ON | Auto Comfort ON | Econavi Mode ON |
| Light OFF | Operation OFF | Timer Setting OFF | Quiet Mode OFF | Powerful Mode OFF | Auto Comfort OFF | Econavi Mode OFF |

Note:

- If POWER LED is blinking, the possible operation of the unit are Hot Start, during Deice operation, operation mode judgment, or ON timer sampling.
- If Timer LED is blinking, there is an abnormality operation occurs.

13.12 ECONAVI and AUTO COMFORT Operation

- A Pyoelectric infrared sensor is used to detect injection strength variation of infrared at setting area to determine the presence or absence of human and its activity level. Human detection area is shown in figure below:



- ECONAVI and AUTO COMFORT operation – Human presence/absence detection outlined flow
 - Process infrared sensor output signal
 - Human detection (movement) every 3 seconds.
 - ▼
 - Human detection records
 - Records human detection (movement) result for 30 seconds and determine its activity level i.e. Hi/Lo.
 - ▼
 - Presence / absence detection
 - Compares current and previous human detection result every 30 seconds to determine the presence or absence of human.
 - ▼
 - Presence / absence determination
 - Based on human presence / absence detection, if human presence detection showed within 30 minutes, it is recognised that human is present. If human absence detection showed continuously for more than 30 minutes, it is recognised that no human is present.
- ECONAVI and AUTO COMFORT Sensor abnormality detection
 1. Connector pulled out (disconnected), Wire cut Abnormality (Fix Output at Hi)
 - a. Abnormal judgment start condition.
 - Start from ECONAVI and AUTO COMFORT Sensor power ON, and end after 30 seconds.
 - b. Control content.
 - Judge ECONAVI and AUTO COMFORT Sensor power level every 100ms.
 - c. Abnormal Judgment condition.
 - When ECONAVI and AUTO COMFORT Sensor has continues for 25 seconds Hi level.

2. Circuit Abnormal (Fix Output Lo)

a. Abnormal judgment start condition.

After ECONAVI and AUTO COMFORT Sensor unit power ON, and after pressed 70 seconds.

b. Control content.

Judge ECONAVI and AUTO COMFORT Sensor power level every 100ms.

c. Abnormal Judgment condition.

When ECONAVI and AUTO COMFORT Sensor has continues at Lo level for 25 seconds.

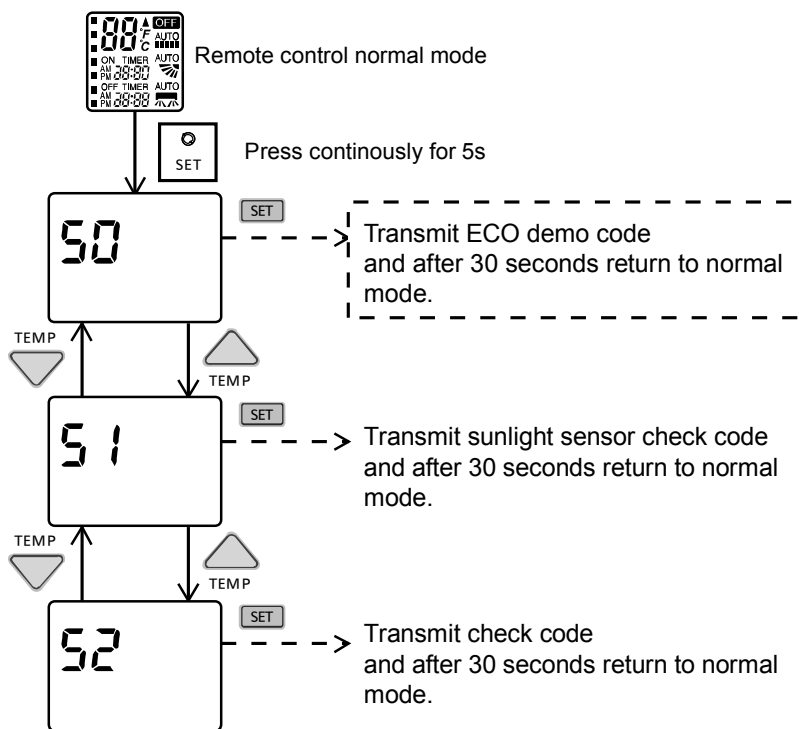
3. Abnormal treatment

Any one of the above self-diagnosis result is abnormal

- Abnormal counter +1 and ECONAVI and AUTO COMFORT Sensor power supply OFF.
- After ECONAVI and AUTO COMFORT Sensor unit power is OFF for 5 seconds, Retry the ECONAVI and AUTO COMFORT operation.
- When Abnormal counter reach 4 counts, ECONAVI and AUTO COMFORT sensor abnormality is confirmed.
(Abnormal counter is cleared when sensor power ON and maintain normal for 120 seconds and above or Clear Abnormal counter by power reset)
- Save ECONAVI and AUTO COMFORT Sensor Abnormality H59 (no Timer LED blinking).
- ECONAVI & AUTO COMFORT Sensor operation OFF, but ECONAVI and AUTO COMFORT LED maintain ON.
- The unit still operate as normal.
- Sensor error counter can be cleared only after power supply reset or AC Reset button on the remote control is pressed.

• ECONAVI and AUTO COMFORT Demo Mode

- To enable ECO DEMO mode, during unit is OFF (power standby):



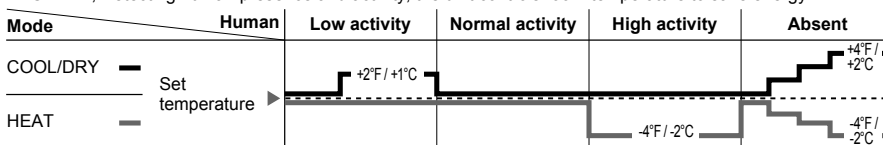
- To disable ECO Demo MODE:
 - Transmit ECO Demo signal again.

Control details:

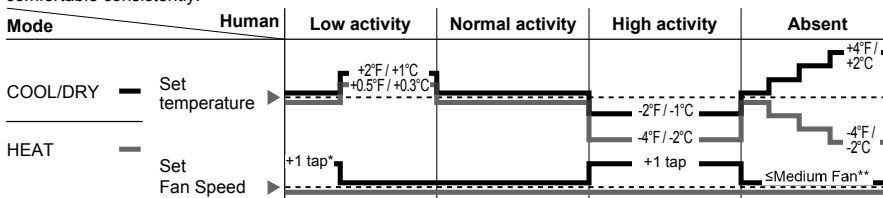
- During ECONAVI and AUTO COMFORT Demo mode, operation LED ON and horizontal vane will set to Auto Swing.
- When Hi activity judge, Fan speed change to Hi Fan and ECONAVI and AUTO COMFORT LED ON.
- When Lo activity judge, Fan speed change to Lo Fan and ECONAVI and AUTO COMFORT LED OFF.
- No setting temperature adjustment.
- During ECONAVI and AUTO COMFORT operation, the internal setting temperature and fan speed are adjusted in order to provide comfort and energy saving.

- ECONAVI Start condition.
 - Press ECONAVI button.
- ECONAVI Stop condition.
 - Press ECONAVI button again.
 - OFF Timer activates.
 - Press OFF/ON button to turn off the air conditioner.
 - Press AUTO OFF/ON button to turn off the air conditioner.
 - Press POWERFUL/QUIET button.
- AUTO COMFORT Start condition.
 - Press AUTO COMFORT button.
- AUTO COMFORT Stop condition.
 - Press AUTO COMFORT button again.
 - OFF Timer activates.
 - Press OFF/ON button to turn off the air conditioner.
 - Press AUTO OFF/ON button to turn off the air conditioner.
 - Press POWERFUL/QUIET button.
- ECONAVI and AUTO COMFORT operation could ON when any of the following conditions is fulfilled:
 - During forced cooling or forced heating operation.
- Power Failure
 - ECONAVI and AUTO COMFORT operation will be resuming after recovered from power failure.
- Timer Operation
 - When unit is turn on by ON Timer and ECONAVI and AUTO COMFORT operation is ON during previous operation before OFF, ECONAVI and AUTO COMFORT operation will not be ON automatically.
 - When unit is turn on by ON Timer and ECONAVI and AUTO COMFORT operation is OFF during previous operation before OFF, ECONAVI and AUTO COMFORT operation will not be ON automatically.
- Other Information
 - ECONAVI and AUTO COMFORT, Powerful, Quiet and Mild Dry Cooling cannot be operated at the same time.
 - ECONAVI and AUTO COMFORT sensor initialized time is 70 seconds from power supplied to ECONAVI and AUTO COMFORT sensor, or 70 seconds from the operation start.
- Setting Temperature and Fan Speed Shift
 - Mono Sensor

ECONAVI ; Detecting human presence and activity, the unit controls room temperature to save energy.



AUTO COMFORT ; Detecting human presence and activity, the unit controls room temperature to keep human comfortable consistently.

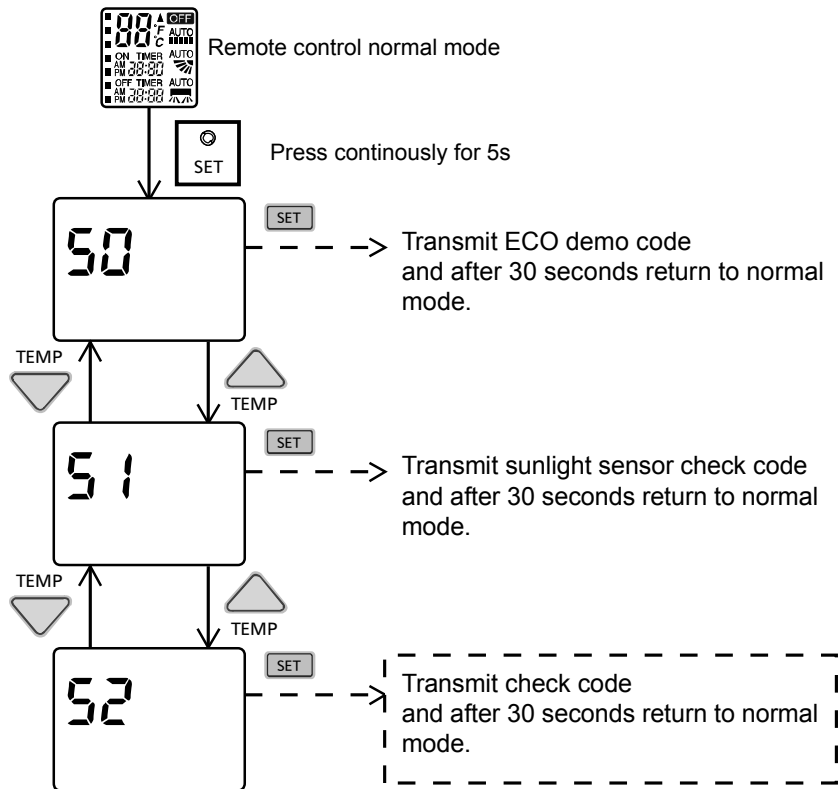


* During low activity, fan speed 1 tap up for first 15 minutes or until set temperature is reached.

** During human absence, maximum fan speed for COOL/DRY mode is medium fan.

13.12.1 Human Activity Sensor Check Mode

- To enable Human Activity sensor abnormality check mode, during ECONAVI operation ON:



- During ECONAVI is ON, when CHECK signal received, if either sensors has abnormality, the 4 times abnormality counter is ignored, ECONAVI Indicator will blink immediately and error code is memorized.
- The unit could operate without ECONAVI or AUTO COMFORT.
- The ECONAVI indicator blinking could be cancelled by pressing ECONAVI button again.
- If the human activity sensor has no abnormality, the CHECK process will end and continue with normal operation.

14. Operation Control (For Multi Split Connection)

During multi split connection, indoor unit's operation controls are same with single split connection unless specified in this chapter.

14.1 Cooling operation

14.1.1 Thermostat control

- Capability supply to indoor unit is OFF (Expansion valve closed) when Intake Air Temperature — Internal setting temperature < 28.4°F.
- Capability resume supply to indoor unit after waiting for 3 minutes, if the Intake Air temperature — Internal setting temperature > Capability supply OFF point.

14.2 Soft Dry Operation

14.2.1 Thermostat control

- Capability supply to indoor unit is OFF (Expansion valve closed) when Intake Air Temperature — Internal setting temperature < 26.6°F.
- Capability resume to indoor unit after waiting for 3 minutes, if the Intake Air temperature — Internal setting temperature > Capability supply OFF point.

14.3 Heating Operation

14.3.1 Thermostat control

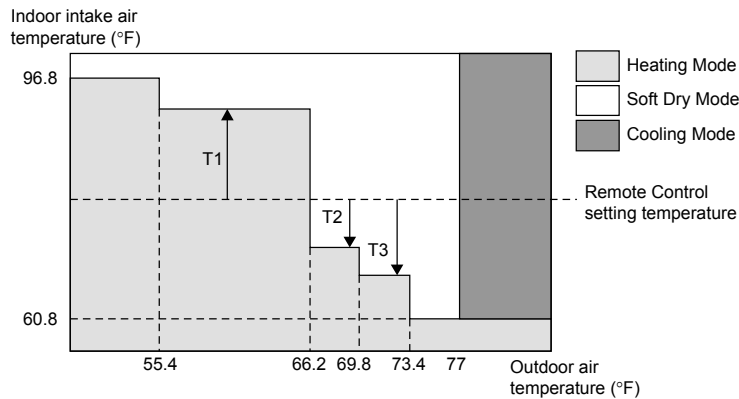
- Capability supply to indoor unit is OFF (Expansion valve closed) when Intake Air Temperature — Internal setting temperature > 33.8°F.
- During this condition, the indoor fan is stopped if compressor is ON.
- Capability resume supply to indoor unit after waiting for 3 minutes, if the Intake Air Temperature — Internal setting temperature < Capability supply OFF point.

14.3.2 Temperature Sampling Control

- Temperature sampling is controlled by outdoor unit where room temperature for all power supply ON indoor unit could be obtained.
- When capability supply to the indoor unit is OFF and the compressor is ON during heating operation, the indoor fan motor is stopped. During this condition, 15 seconds after sampling signal from outdoor unit is received, the indoor fan start operation at low fan speed.
- However, within first 4 minutes of capability stopped supply to the indoor unit, even sampling signal is received, the sampling control is cancelled.

14.4 Automatic Operation (For Multi Split Connection Only)

- This mode can be set using remote control and the operation is decided by remote control setting temperature, remote control operation mode, indoor intake and outdoor air temperature.
- During operation mode judgment, indoor fan motor (with speed of -Lo) and outdoor fan motor are running for 30 seconds to detect the indoor intake and outdoor air temperature. The operation mode is decided based on below chart.



- Every 180 minutes, the indoor and outdoor temperature is judge. Based on remote control setting temperature, the value of T1 will increase up to 50°F, T2 will decrease by 37.4°F and T3 will decrease up to 46.4°F.

14.5 Indoor Fan Motor Operation

14.5.1 Residual Heat Removal Control

- To prevent high pressure at indoor unit, when heating mode thermostat-off condition or power supply OFF, indoor fan continue to operate at controlled fan speed for maximum 30 seconds then stop.

14.6 Powerful Mode Operation

- When the power mode is selected, the internal setting temperature will shift lower up to 39.2°F for Cooling/Soft Dry or higher up to 42.8°F for heating than remote control setting temperature, the powerful operation continue until user cancel the Powerful operation by pressing powerful button again.

14.7 Auto restart control

- When the power supply is cut off during the operation of air conditioner, the compressor will re-operate between three to four minutes (10 patterns to be selected randomly) after power resume.
- During multi split connection, Indoor unit will resume previous mode, include unit standby mode.

14.8 Indication Panel

| LED | POWER | TIMER | QUIET | POWERFUL | AUTO COMFORT | ECONAVI |
|-----------|---------------|-------------------|----------------|-------------------|------------------|------------------|
| Color | Green | Orange | Orange | Orange | Green | Green |
| Light ON | Operation ON | Timer Setting ON | Quiet Mode ON | Powerful Mode ON | Auto Comfort ON | Econavi Mode ON |
| Light OFF | Operation OFF | Timer Setting OFF | Quiet Mode OFF | Powerful Mode OFF | Auto Comfort OFF | Econavi Mode OFF |

Note:

- If POWER LED is blinking (0.5 second ON, 0.5 second OFF), the possible operation of the unit are during Indoor Residual Heat Removal, Hot Start, during Deice operation, operation mode judgment, or ON timer sampling.
- If POWER LED is blinking (2.5 seconds ON, 0.5 second OFF), the unit is in standby mode.
- If TIMER LED is blinking, there is an abnormality operation occurs.

15. Protection Control (E9RK and E12RK)

15.1 Protection Control For All Operations

15.1.1 Restart Control (Time Delay Safety Control)

- The compressor will not turn on within 3 minutes from the moment operation stops, although the unit is turned on again by pressing OFF/ON button at remote control within this period.
- This control is not applicable if the power supply is cut off and on again.
- This phenomenon is to balance the pressure inside the refrigerant cycle.

15.1.2 30 Seconds Forced Operation

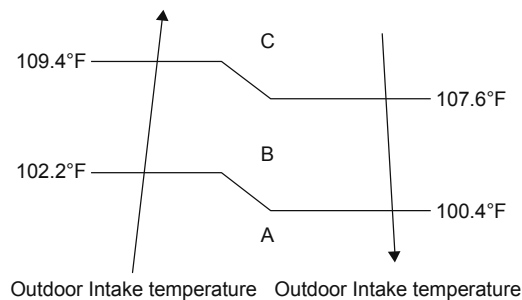
- Once the air conditioner is turned on, the compressor will not stop within 30 seconds in a normal operation although the intake air temperature has reached the thermo-off temperature. However, force stop by pressing the OFF/ON button at the remote control is permitted or the Auto OFF/ON button at indoor unit.
- The reason for the compressor to force operation for minimum 30 seconds is to allow the refrigerant oil run in a full cycle and return back to the outdoor unit.

15.1.3 Total Running Current Control

- When the outdoor unit total running current (AC) exceeds X value, the frequency instructed for compressor operation will be decreased.
- If the running current does not exceed X value for 5 seconds, the frequency instructed will be increased.
- However, if total outdoor unit running current exceeds Y value, compressor will be stopped immediately for 3 minutes.

| Model | | E9RKUA | E12RKUA |
|----------|---|---------|---------|
| Cool (X) | A | 3.89 A | 6.55 A |
| | B | 3.28 A | 6.10 A |
| | C | 3.28 A | 6.10 A |
| Heat (X) | | 5.27 A | 7.05 A |
| Y | | 15.01 A | 15.01 A |

1. The first 30 minutes of cooling operation, (A) will be applied.

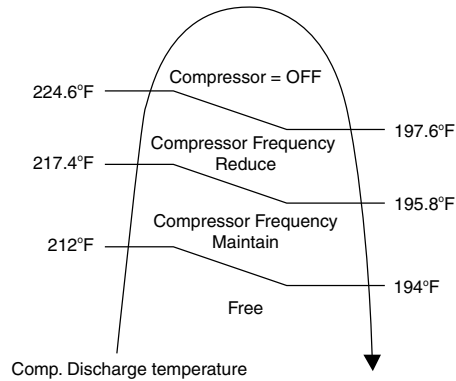


15.1.4 IPM (Power Transistor) Prevention Control

- Overheating Prevention Control
 - When the IPM temperature rises to 212°F, compressor operation will stop immediately.
 - Compressor operation restarts after 3 minutes the temperature decreases to 203°F.
 - If this condition repeats continuously 4 times within 20 minutes, timer LED will be blinking ("F96" is indicated).
- DC Peak Current Control
 - When electric current to IPM exceeds set value of 18.5A, the compressor will stop operate. Then, operation will restart after 3 minutes.
 - If the set value exceeds again more than 30 seconds after the compressor starts, the operation will restart after 2 minutes.
 - If the set value exceeds again within 30 seconds after the compressor starts, the operation will restart after 1 minute. If this condition repeats continuously for 7 times, all indoor and outdoor relays will be cut off, timer LED will be blinking ("F99" is indicated).

15.1.5 Compressor Overheating Prevention Control

- Instructed frequency for compressor operation will be regulated by compressor discharge temperature. The changes of frequency are as below.
- If compressor discharge temperature exceeds 224.6°F, compressor will be stopped, occurs 4 times per 20 minutes, timer LED will be blinking. (“F97” is indicated.)



15.1.6 Low Pressure Prevention Control (Gas Leakage Detection)

- Control start conditions
 - For 5 minutes, the compressor continuously operates and outdoor total current is between 0.64A and 0.85A.
 - During Cooling and Soft Dry operations:
Indoor suction temperature - indoor piping temperature is below 7.2.°F.
 - During Heating operations:
Indoor piping temperature - indoor suction is under 9°F.
- Control contents
 - Compressor stops (and restart after 3 minutes).
 - If the conditions above happen 2 times within 20 minutes, the unit will:
 - Stop operation
 - Timer LED blinks and “F91” indicated.

15.1.7 Low Frequency Protection Control 1

- When the compressor operates at frequency lower than 24Hz continued for 240 minutes, the operation frequency will be changed to 25Hz for 2 minutes.

15.1.8 Low Frequency Protection Control 2

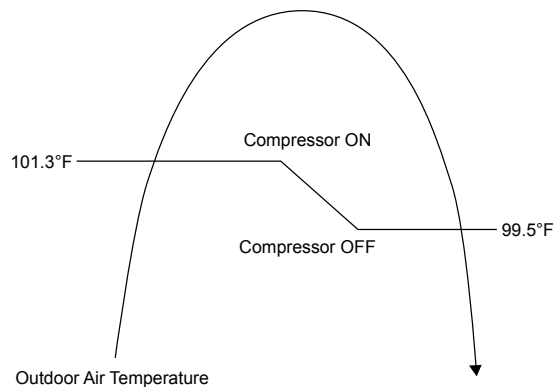
- When all below conditions comply, minimum limit of compressor will be set.

| Temperature, T, for: | Cooling / Soft Dry | Heating |
|----------------------------|-----------------------|----------------------|
| Indoor intake air (°F) | T < 57.2 or T ≥ 86 | - |
| Outdoor air (°F) | T < 55.4 or T ≥ 100.4 | T < 57.2 or T ≥ 82.4 |
| Indoor heat exchanger (°F) | T < 86 | T ≥ 32 |

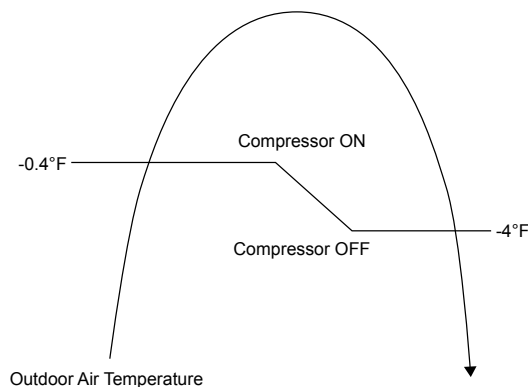
15.2 Protection Control For Cooling & Soft Dry Operation

15.2.1 Outdoor Air Temperature Control

- The maximum current value is regulated when the outdoor air temperature rise above 57.2°F in order to avoid compressor overloading.



- The compressor will be stopped at outdoor air temperature $\leq -4^{\circ}\text{F}$. The unit still operate within the temperature range.



15.2.2 Cooling Overload Control

- Pipe temperature limitation / restriction.
 - Detects the outdoor pipe temperature and carry out restriction / limitation below (Limit the compressor operation frequency)
 - The compressor stops if outdoor pipe temperature exceeds 141.8°F.
 - If the compressor stops 4 times in 20 minutes, Timer LED blinks ("F95" indicated: Outdoor high pressure rise protection)

15.2.3 Freeze Prevention Control 1

- When indoor heat exchanger temperature is lower than 32°F continuously for 6 minutes, compressor will stops operation.
- Compressor will resume its operation 3 minutes after the indoor heat exchanger is higher than 41°F.
- At the same time, indoor fan speed will be higher than during its normal operation.
- If the indoor heat exchanger temperature is higher than 55.4°F for 5 minutes, the fan speed will return to its normal operation.

15.2.4 Freeze Prevention Control 2

- Control start conditions
 - During Cooling operation and soft dry operation
 - During thermo OFF condition, indoor intake temperature is less than 50°F or
 - Compressor stops for freeze prevention control
 - Either one of the conditions above occurs 5 times in 60 minutes.
- Control contents
 - Operation stops
 - Timer LED blinks and "H99" indicated

15.2.5 Dew Prevention Control 1

- To prevent dew formation at indoor unit discharge area.
- This control will be activated if:
 - Outdoor air temperature and Indoor pipe temperature judgment by microcontroller is fulfilled.
 - When Cooling or Dry mode is operated more than 20 minutes or more.
- This control stopped if:
 - Compressor stopped.
 - Remote control setting changed (fan speed / temperature).
 - Outdoor air temperature and indoor intake temperature changed.
- Fan speed, angle of louver (vertical airflow angle) will be adjusted accordingly in this control.
 1. Fan speed will be increased slowly when control is activated until predetermine value.
- Compressor frequency will be regulated accordingly.

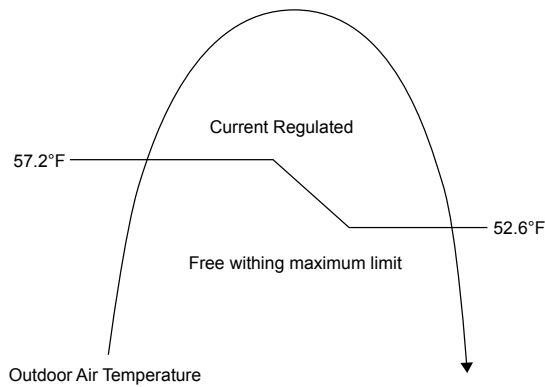
15.2.6 Protection Control For Heating Operation

15.2.6.1 Intake Air Temperature Control

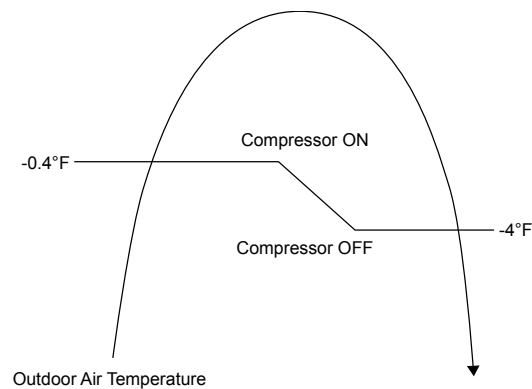
Compressor will operate at limited freq., if indoor intake air temperature is 86°F or above.

15.2.6.2 Outdoor Air Temperature Control

- The maximum current value is regulated when the outdoor air temperature rise above 57.2°F in order to avoid compressor overloading.

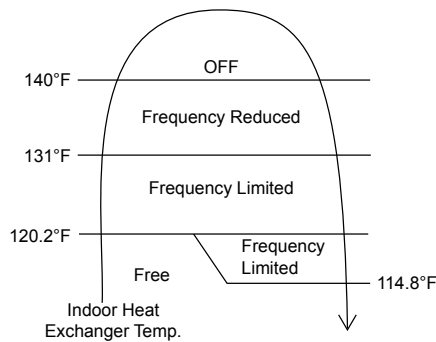


- The compressor will be stopped at outdoor air temperature $\leq -4^{\circ}\text{F}$. The unit still operate within the temperature range.



15.2.6.3 Overload Protection Control

- The compressor operating frequency is regulated in accordance to indoor heat exchanger temperature as shown below.
- If the heat exchanger temperature exceeds 140.0°F, compressor will stop.



15.2.6.4 Low Temperature Compressor Oil Return Control

- In heating operation, if the outdoor temperature falls below 14°F when compressor starts, the compressor frequency will be regulated up to 600 seconds.

15.2.6.5 Cold Draught Prevention Control

- When indoor pipe temperature is low, cold draught operation starts where indoor fan speed will be reduced or stop.
- Horizontal vane angle may be adjusted in Auto vane setting.

15.2.6.6 Deice Operation

- When outdoor pipe temperature and outdoor air temperature is low, deice operation start where indoor fan motor and outdoor fan motor stop and operation LED blinks. Horizontal vane is closed during auto vane setting.

16. Protection Control (E18RK and E24RK)

16.1 Protection Control For All Operations

16.1.1 Restart Control (Time Delay Safety Control)

- The compressor will not turn on within 3 minutes from the moment operation stops, although the unit is turned on again by pressing OFF/ON button at remote control within this period.
- This control is not applicable if the power supply is cut off and on again.
- This phenomenon is to balance the pressure inside the refrigerant cycle.

16.1.2 30 Seconds Forced Operation

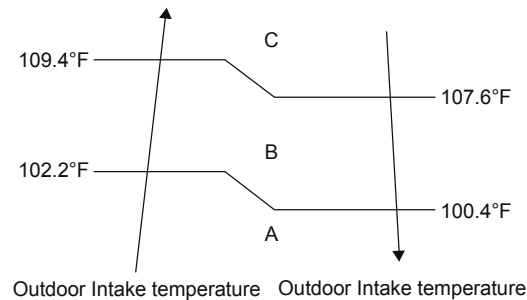
- Once the air conditioner is turned on, the compressor will not stop within 30 seconds in a normal operation although the intake air temperature has reached the thermo-off temperature. However, force stop by pressing the OFF/ON button at the remote control is permitted or the Auto OFF/ON button at indoor unit.
- The reason for the compressor to force operation for minimum 30 seconds is to allow the refrigerant oil run in a full cycle and return back to the outdoor unit.

16.1.3 Total Running Current Control

- When the outdoor unit total running current (AC) exceeds X value, the frequency instructed for compressor operation will be decreased.
- If the running current does not exceed X value for 5 seconds, the frequency instructed will be increased.
- However, if total outdoor unit running current exceeds Y value, compressor will be stopped immediately for 3 minutes.

| Model | | E18RKUA | E24RKUA |
|----------|---|---------|---------|
| Cool (X) | A | 10.85 A | 12.47 A |
| | B | 9.84 A | 11.46 A |
| | C | 9.84 A | 10.16 A |
| Heat (X) | | 11.29 A | 13.80 A |
| Y | | 19.30 A | 19.30 A |

1. The first 30 minutes of cooling operation, (A) will be applied.

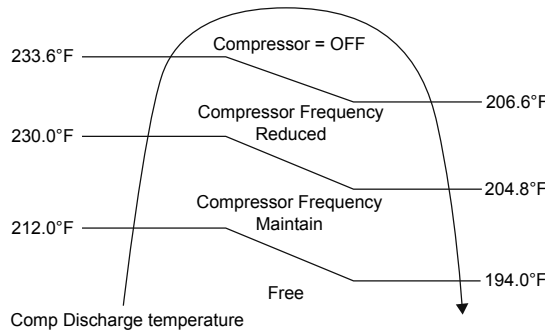


16.1.4 IPM (Power Transistor) Prevention Control

- Overheating Prevention Control
 - When the IPM temperature rises to 212°F, compressor operation will stop immediately.
 - Compressor operation restarts after 3 minutes the temperature decreases to 203°F.
- DC Peak Current Control
 - When electric current to IPM exceeds set value of 29.9A, the compressor will stop operate. Then, operation will restart after 3 minutes.
 - If the set value is exceeded again more than 30 seconds after the compressor starts, the operation will restart after 2 minute.
 - If the set value is exceeded again within 30 seconds after the compressor starts, the operation will restart after 1 minute. If this condition repeats continuously for 7 times, all indoor and outdoor relays will be cut off. Timer LED will be blinking (F99 is indicated).

16.1.5 Compressor Overheating Prevention Control

- Instructed frequency for compressor operation will be regulated by compressor discharge temperature. The changes of frequency are as below.
- If compressor discharge temperature exceeds 233.6°F, compressor will be stopped, occurs 4 times per 20 minutes, timer LED will be blinking. "F97" is indicated.



16.1.6 Low Pressure Protection Control (Gas Leakage Detection)

- For 5 minutes, the compressor continuously operates and outdoor total current is between 0.78A and 1.16A.
- During Cooling and Soft Dry operation:
Indoor suction temperature – indoor piping temperature is below 39.2°F.
- During Heating operations :
Indoor piping temperature - indoor suction is under 41.0°F.

16.1.7 Low Frequency Protection Control 1

- When the compressor operates at frequency lower than 25Hz continued for 240 minutes, the operation frequency will be changed to 24Hz for 2 minutes.

16.1.8 Low Frequency Protection Control 2

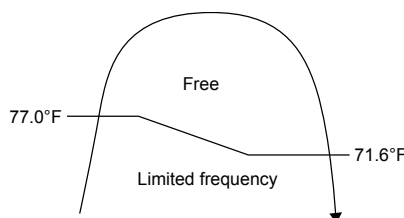
- When all below conditions comply, minimum limit of compressor will be set.

| | E18RKUA, E24RKUA | |
|----------------------------|-----------------------|----------------------|
| Temperature, T, for: | Cooling / Soft Dry | Heating |
| Indoor intake air (°F) | T < 57.2 or T ≥ 86.0 | T < 57.2 or T ≥ 82.4 |
| Outdoor air (°F) | T < 55.4 or T ≥ 100.4 | T < 39.2 or T ≥ 75.2 |
| Indoor heat exchanger (°F) | T < 86.0 | T ≥ 32.0 |

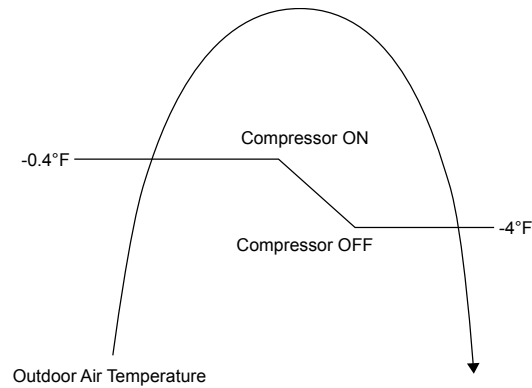
16.2 Protection Control For Cooling & Soft Dry Operation

16.2.1 Outdoor Air Temperature Control

- The compressor operating frequency is regulated in accordance to the outdoor air temperature as shown in the diagram below.
- This control will begin 1 minute after the compressor starts.
- Compressor frequency will adjust based on outdoor air temperature.



- The compressor will be stopped at outdoor air temperature $\leq -4^{\circ}\text{F}$. The unit still operate within the temperature range.



16.2.2 Cooling Overload Control

- Pipe temperature limitation / restriction.
 - Detects the outdoor pipe temperature and carry out restriction / limitation below (Limit the compressor operation frequency)
 - The compressor stops if outdoor pipe temperature exceeds 145.4°F .
 - If the compressor stops 4 times in 20 minutes, Timer LED blinks (“F95” indicated: Outdoor high pressure rise protection)

16.2.3 Freeze Prevention Control 1

- When indoor heat exchanger temperature is lower than 32°F continuously for 6 minutes, compressor will stops operation.
- Compressor will resume its operation 3 minutes after the indoor heat exchanger is higher than 41.0°F .
- At the same time, indoor fan speed will be higher than during its normal operation.
- If the indoor heat exchanger temperature is higher than 55.4°F for 5 minutes, the fan speed will return to its normal operation.

16.2.4 Freeze Prevention Control 2

- Control start conditions
 - During Cooling operation and soft dry operation
 - During thermo OFF condition, indoor intake temperature is less than 50.0°F or
 - Compressor stops for freeze prevention control
 - Either one of the conditions above occurs 5 times in 60 minutes.
- Control contents
 - Operation stops
 - Timer LED blinks and “H99” indicated

16.2.5 Dew Prevention Control 1

- To prevent dew formation at indoor unit discharge area.
- This control will be activated if:
 - Outdoor air temperature and Indoor pipe temperature judgment by microcontroller is fulfilled.
 - When Cooling or Dry mode is operated more than 20 minutes or more.
- This control stopped if:
 - Compressor stopped.
 - Remote control setting changed (fan speed / temperature).
 - Outdoor air temperature and indoor intake temperature changed.
- Fan speed, angle of louver (vertical airflow angle) will be adjusted accordingly in this control.
 1. Fan speed will be increased slowly when control is activated until predetermine value.
- Compressor frequency will be regulated accordingly.

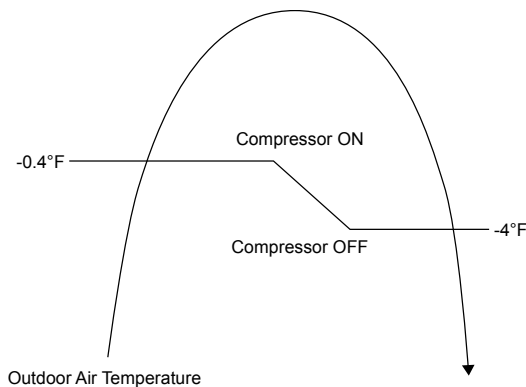
16.2.6 Protection Control For Heating Operation

16.2.6.1 Intake Air Temperature Control

Compressor will operate at limited freq., if indoor intake air temperature is 86.0°F or above.

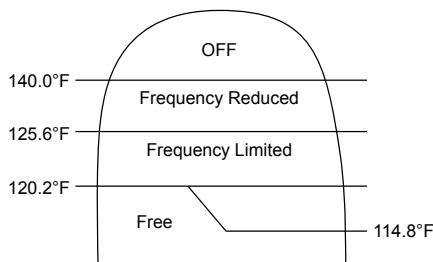
16.2.6.2 Outdoor Air Temperature Control

- The Max current value is regulated when the outdoor air temperature rise above 57.2°F in order to avoid compressor overloading.
- The compressor will be stopped at outdoor air temperature $\leq -4^{\circ}\text{F}$. The unit still operate within the temperature range.



16.2.6.3 Overload Protection Control

- The compressor operating frequency is regulated in accordance to indoor heat exchanger temperature as shown below.
- If the heat exchanger temperature exceeds 140.0°F , compressor will stop.



16.2.6.4 Low Temperature Compressor Oil Return Control

- In heating operation, if the indoor temperature falls below 17.6°F when compressor starts, the compressor frequency will be regulated up to 600 seconds.

16.2.6.5 Cold Draught Prevention Control

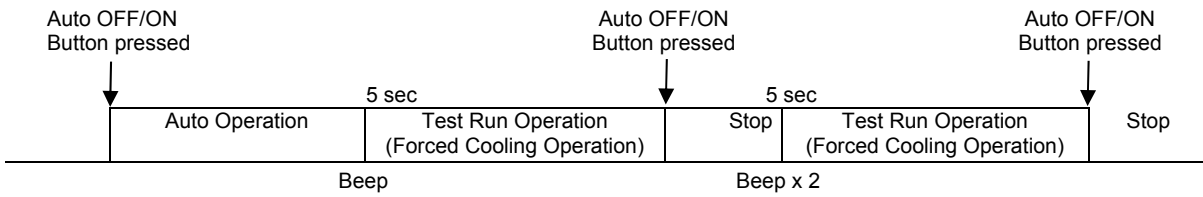
- When indoor pipe temperature is low, cold draught operation starts where indoor fan speed will be reduced or stop.
- Horizontal vane angle may be adjusted in Auto vane setting.

16.2.6.6 Deice Operation

When outdoor pipe temperature and outdoor air temperature is low, deice operation start where indoor fan motor and outdoor fan motor stop and operation LED blinks. Horizontal vane is closed during auto vane setting.

17. Servicing Mode

17.1 Auto Off/On Button



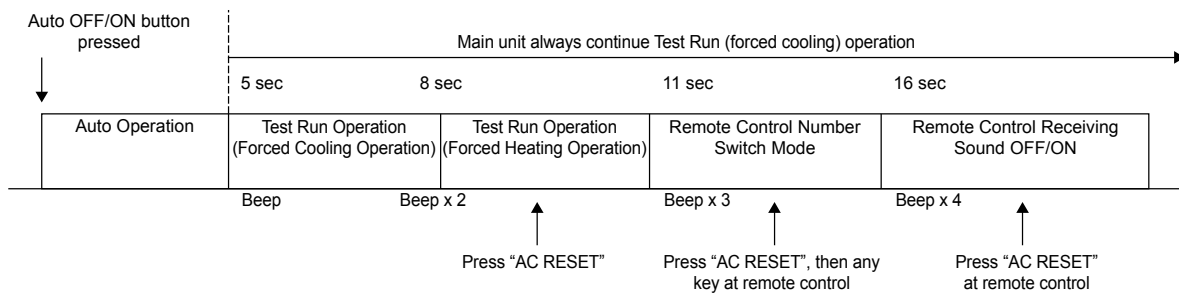
1 AUTO OPERATION MODE

The Auto operation will be activated immediately once the Auto OFF/ON button is pressed. This operation can be used to operate air conditioner with limited function if remote control is misplaced or malfunction.

2 TEST RUN OPERATION (FOR PUMP DOWN/SERVICING PURPOSE)

The Test Run operation will be activated if the Auto OFF/ON button is pressed continuously for more than 5 seconds. A “beep” sound will heard at the fifth seconds, in order to identify the starting of Test Run operation (Forced cooling operation). Within 5 minutes after Forced cooling operation start, the Auto OFF/ON button is pressed for more than 5 seconds. A 2 “beep” sounds will heard at the fifth seconds, in order to identify the starting of Forced heating operation.

The Auto OFF/ON button may be used together with remote control to set / change the advance setting of air conditioner operation.



3 REMOTE CONTROL NUMBER SWITCH MODE

The Remote Control Number Switch Mode will be activated if the Auto OFF/ON button is pressed continuously for more than 11 seconds (3 “beep” sounds will occur at 11th seconds to identify the Remote Control Number Switch Mode is in standby condition) and press “AC RESET” button and then press any button at remote control to transmit and store the desired transmission code to the EEPROM.

There are 4 types of remote control transmission code could be selected and stored in EEPROM of indoor unit. The indoor unit will only operate when received signal with same transmission code from remote control. This could prevent signal interference when there are 2 or more indoor units installed nearby together. To change remote control transmission code, short or open jumpers at the remote control printed circuit board.

| Remote Control Printed Circuit Board | | |
|--------------------------------------|---------------|--------------------|
| Jumper A (J1) | Jumper B (D2) | Remote Control No. |
| Short | Open | A (Default) |
| Open | Open | B |
| Short | Short | C |
| Open | Short | D |

- During Remote Control Number Switch Mode, press any button at remote control to transmit and store the transmission code to the EEPROM.

4 REMOTE CONTROL RECEIVING SOUND OFF/ON MODE

The Remote Control Receiving Sound OFF/ON Mode will be activated if the Auto OFF/ON button is pressed continuously for more than 16 seconds (4 “beep” sounds will occur at 16th seconds to identify the Remote Control Receiving Sound OFF/ON Mode is in standby condition) and press “AC Reset” button at remote control.

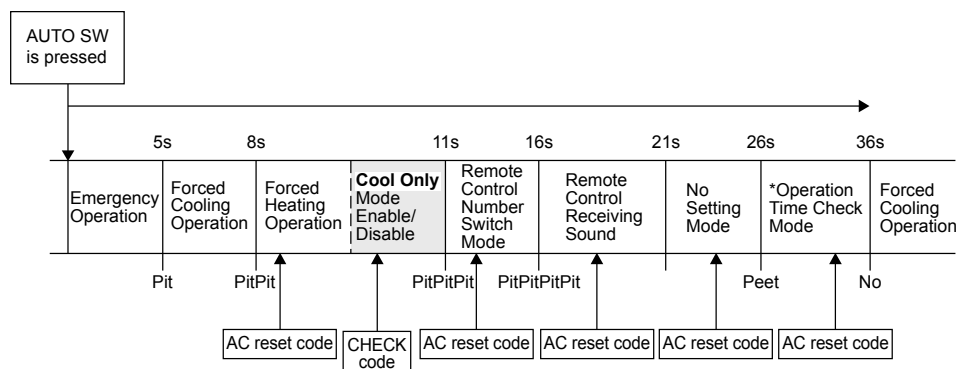
Press Auto OFF/ON button to toggle remote control receiving sound.

- Short “beep”: Turn OFF remote control receiving sound.
- Long “beep”: Turn ON remote control receiving sound.

After Auto OFF/ON button is pressed, the 20 seconds counter for Remote Control Receiving Sound OFF/ON Mode is restarted.

17.2 Cooling Only Operation (Single connection Only, Multi connection please refer to Multi outdoor manual)

17.2.1 How to activate and deactivate Cooling Only Operation



The default setting is "Cool Only" mode disable.

- To enable the "Cool Only" mode, press the AUTO OFF/ON SW for more than 8s and less than 11s, “Pit Pit” sound will be heard, then release the AUTO OFF/ON SW and press remote controller CHECK button. A short “Pit” sound will be heard. “Cool Only” mode is now enable.
- To disable the "Cool Only" mode, press the AUTO OFF/ON SW for more than 8s and less than 11s, “Pit Pit” sound will be heard, then release the AUTO OFF/ON SW and press remote controller CHECK button. A long “Pit” sound will be heard. “Cool Only” mode is now disable.

17.2.2 Operation mode during Cooling Only Operation

The table below shows the operation mode comparison when cooling only operation activated and deactivated.

| Operation mode | Cooling Only Operation Mode Activated | Cooling Only Operation Mode Deactivated |
|-------------------|---|---|
| AUTO | After 30s sampling, regardless of indoor intake or outdoor intake temperature judgement, the unit will run Cooling or DRY operation. | After 30s sampling, the unit will judge the operation mode base on remote controller temperature setting and Indoor Intake Sensor (New Auto Mode) or Outdoor Intake Sensor (Old Auto Mode) |
| HEAT | The unit will stop and Power LED blinking. | The unit will run Heating operation. |
| COOL | The unit will run Cooling operation. | The unit will run Cooling operation. |
| DRY | The unit will run DRY operation. | The unit will run Dry operation. |
| Force Heating | The unit will run Force Cooling operation. | The unit will run Force Heating operation. |
| AUTO (with Timer) | The unit will turn ON by the timer and run Auto Operation. After 30s sampling, regardless of indoor intake or outdoor intake temperature judgement, the unit will run Cooling or DRY operation. | The unit will turn ON by the timer and run Auto Operation. After 30s sampling, the unit will judge the operation mode base on remote controller temperature setting and Indoor Intake Sensor (New Auto Mode) or Outdoor Intake Sensor (Old Auto Mode) |
| HEAT (with Timer) | The unit will not turn ON by the Timer. Power LED blinking. | The unit will turn ON by the timer and run Heating Operation. |
| COOL (with Timer) | The unit will turn ON by the Timer and run Cooling operation. | The unit will turn ON by the timer and run Cooling Operation. |
| DRY (with Timer) | The unit will turn ON by the Timer and run DRY operation. | The unit will turn ON by the timer and run Cooling Dry Operation. |

** Power LED blinking = 2.5s ON, 0.5s OFF

17.3 Remote Control Button

17.3.1 SET Button

- To check remote control transmission code and store the transmission code to EEPROM
 - Press “Set” button continuously for 10 seconds by using pointer
 - Press “Timer Set” button until a “beep” sound is heard as confirmation of transmission code change.

17.3.2 RESET (RC)

- To clear and restore the remote control setting to factory default.
 - Press once to clear the memory

17.3.3 RESET (AC)

- To restore the unit’s setting to factory default.
 - Press once to restore the unit’s setting

17.3.4 TIMER ▲

- To change indoor unit indicator’s LED intensity:
 - Press continuously for 5 seconds.

17.3.5 TIMER ▼

- To change remote control display from Degree Celsius (°C) to Degree Fahrenheit (°F)
 - Press continuously for 10 seconds.

17.3.6 CLOCK Button

- To change the remote control time format:
 - Press for more than 5 seconds

18. Troubleshooting Guide

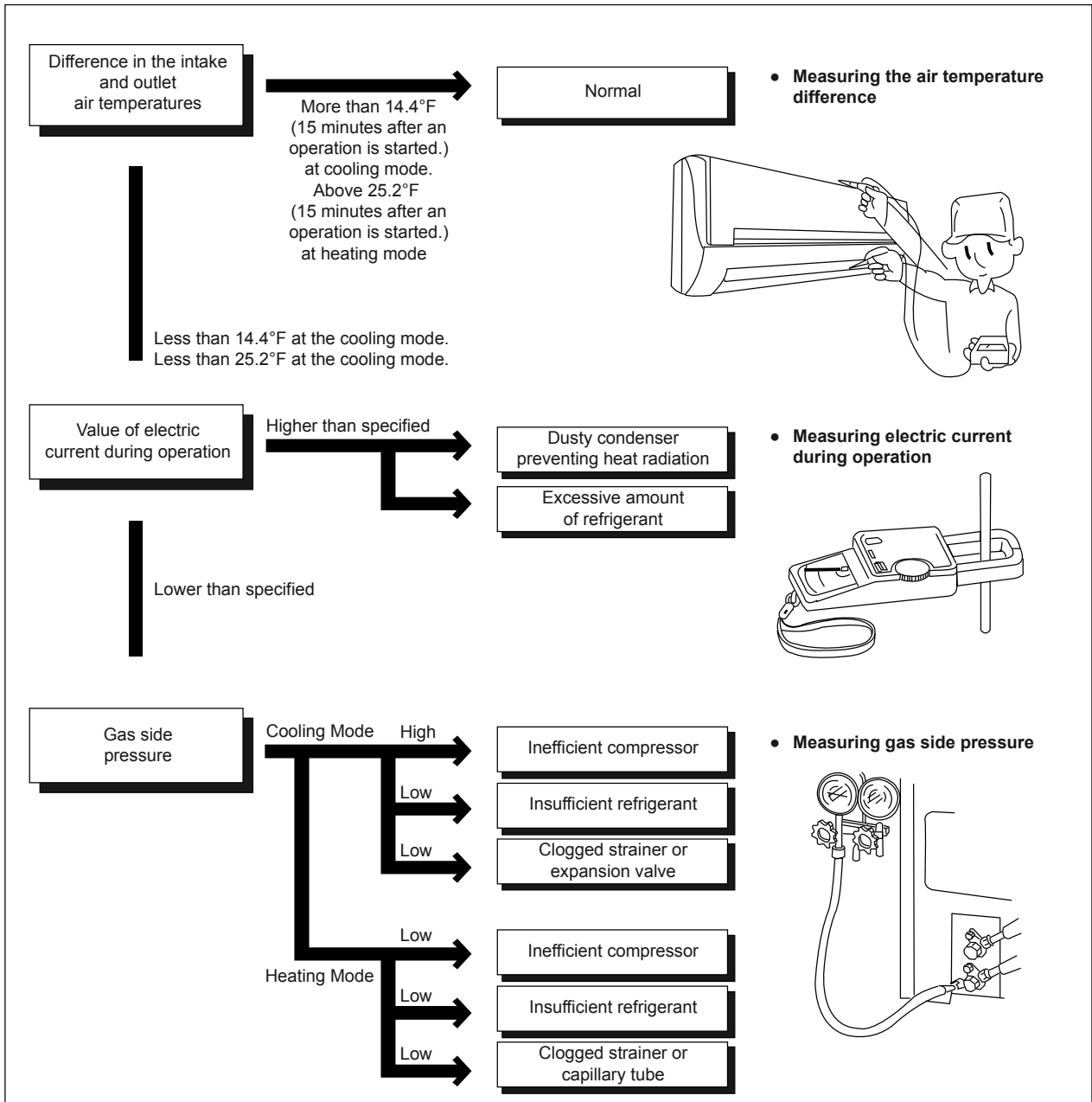
18.1 Refrigeration Cycle System

In order to diagnose malfunctions, make sure that there are no electrical problems before inspecting the refrigeration cycle. Such problems include insufficient insulation, problem with the power source, malfunction of a compressor and a fan. The normal outlet air temperature and pressure of the refrigeration cycle depends on various conditions, the standard values for them are shown in the table on the right.

Normal Pressure and Outlet Air Temperature (Standard)

| | Gas Pressure PSI (kg/cm ² G) | Outlet air Temperature (°F) |
|--------------|---|-----------------------------------|
| Cooling Mode | 130.53 ~ 174.04 (9 ~ 12) | 53.6 ~ 60.8 |
| Heating Mode | 333.58 ~ 420.60 (23 ~ 29) | 96.8 ~ 113 |

Condition: Indoor fan speed = High
 Outdoor temperature 95°F at cooling mode
 and 44.6°F at heating mode.
 Compressor operate at rated frequency



18.1.1 Relationship between the condition of the air conditioner and pressure and electric current

| Condition of the air conditioner | Cooling Mode | | | Heating Mode | | |
|---|--------------|---------------|-----------------------------------|--------------|---------------|-----------------------------------|
| | Low Pressure | High Pressure | Electric current during operating | Low Pressure | High Pressure | Electric current during operating |
| Insufficient refrigerant (gas leakage) | ↘ | ↘ | ↘ | ↘ | ↘ | ↘ |
| Clogged capillary tube or Strainer | ↘ | ↘ | ↘ | ↗ | ↗ | ↗ |
| Short circuit in the indoor unit | ↘ | ↘ | ↘ | ↗ | ↗ | ↗ |
| Heat radiation deficiency of the outdoor unit | ↗ | ↗ | ↗ | ↘ | ↘ | ↘ |
| Inefficient compression | ↗ | ↘ | ↘ | ↗ | ↘ | ↘ |

- Carry out the measurements of pressure, electric current, and temperature fifteen minutes after an operation is started.

18.2 Breakdown Self Diagnosis Function

18.2.1 Self Diagnosis Function (Three Digits Alphanumeric Code)

- Once error occurred during operation, the unit will stop its operation, and Timer LED blinks.
- Although Timer LED goes off when power supply is turned off, if the unit is operated under a breakdown condition, the LED will ON again.
- In operation after breakdown repair, the Timer LED will not blink. The last error code (abnormality) will be stored in IC memory.

18.2.2 To Make a Diagnosis

- 1 Timer LED starts to blink and the unit automatically stops the operation.
- 2 Press the CHECK button on the remote control continuously for 5 seconds.
- 3 “- -” will be displayed on the remote control display.
Note: Display only for “- -” (No signal transmission, no receiving sound and no Power LED blinking)
- 4 Press the TIMER ▲ or ▼ button on the remote control. The code “H00” (no abnormality) will be displayed and signal will be transmit to the main unit.
- 5 Each press of the button (▲ or ▼) will increase error code number and transmit error code signal to the main unit.
- 6 When the latest abnormality code on the main unit and code transmitted from the remote control are matched, Power LED will light up for 30 seconds and a “beep” sound (continuously for 4 seconds) will be heard. If no codes are matched, Power LED will light up for 0.5 seconds and no sound will be heard.
- 7 The breakdown diagnosis mode will be canceled unless pressing the CHECK button continuously for 5 seconds or operating the unit for 30 seconds.
- 8 The LED will be off if the unit is turned off or the RESET button on the main unit is pressed.



18.2.3 To Display Memorized Error Code (Protective Operation)

- 1 Turn power on.
- 2 Press the CHECK button on the remote control
- 3 “- -” will be displayed on the remote control display.
Note: Display only for “- -” (No signal transmission, no receiving sound and no Power LED blinking)
- 4 Press the TIMER ▲ or ▼ button on the remote control. The code “H00” (no abnormality) will be displayed and signal will be transmit to the main unit.
- 5 Each press of the button (▲ or ▼) will increase error code number and transmit error code signal to the main unit.
- 6 When the latest abnormality code on the main unit and code transmitted from the remote control are matched, Power LED will light up for 30 seconds and a “beep” sound (continuously for 4 seconds) will be heard. If no codes are matched, Power LED will light up for 0.5 seconds and no sound will be heard.
- 7 The breakdown diagnosis mode will be canceled unless pressing the CHECK button continuously for 5 seconds or operating the unit for 30 seconds.
- 8 The same diagnosis can be repeated by turning power on again.

18.2.4 To Clear Memorized Error Code after Repair (Protective Operation)

- 1 Turn power on (in standby condition).
- 2 Press the AUTO button for 5 seconds (a “beep” sound is heard) on the main unit to operate the unit at Forced Cooling Operation Mode.
- 3 Press the CHECK button on the remote control for about 1 second with a pointed object to transmit signal to main unit. A “beep” sound is heard, and the Error Code is cleared.

18.2.5 Temporary Operation (Depending On Breakdown Status)

- 1 Press the Auto OFF/ON button on the main unit (a “beep” sound is heard) to operate the unit. (Remote control is enable again).
- 2 The unit can be temporarily be used until repaired.

| Error Code | Operation | Temporary items |
|------------|------------------|--|
| H23 | Cooling | Emergency Operation with limited power |
| H27, H28 | Cooling, Heating | |

18.3 Error Code Table

| Diagnosis display | Abnormality / Protection control | Abnormality Judgement | Protection operation | Problem | Check location |
|-------------------|---|----------------------------------|--|---|---|
| H00 | No memory of failure | — | Normal operation | — | — |
| H11 | Indoor/outdoor abnormal communication | After operation for 1 minute | Indoor fan only operation can start by entering into force cooling operation | Indoor/outdoor communication not establish | <ul style="list-style-type: none"> Indoor/outdoor wire terminal Indoor/outdoor PCB Indoor/outdoor connection wire |
| H12 | Indoor unit capacity unmatched | 90s after power supply | — | Total indoor capability more than maximum limit or less than minimum limit, or number of indoor unit less than two. | <ul style="list-style-type: none"> Indoor/outdoor connection wire Indoor/outdoor PCB Specification and combination table in catalogue |
| H14 | Indoor intake air temperature sensor abnormality | Continuous for 5s | — | Indoor intake air temperature sensor open or short circuit | <ul style="list-style-type: none"> Indoor intake air temperature sensor lead wire and connector |
| H15 | Compressor temperature sensor abnormality | Continuous for 5s | — | Compressor temperature sensor open or short circuit | <ul style="list-style-type: none"> Compressor temperature sensor lead wire and connector |
| H16 | Outdoor current transformer (CT) abnormality | — | — | Current transformer faulty or compressor faulty | <ul style="list-style-type: none"> Outdoor PCB faulty or compressor faulty |
| H19 | Indoor fan motor mechanism lock | Continuous happen for 7 times | — | Indoor fan motor lock or feedback abnormal | <ul style="list-style-type: none"> Fan motor lead wire and connector Fan motor lock or block |
| H23 | Indoor heat exchanger temperature sensor abnormality | Continuous for 5s | — | Indoor heat exchanger temperature sensor open or short circuit | <ul style="list-style-type: none"> Indoor heat exchanger temperature sensor lead wire and connector |
| H24 | Indoor heat exchanger temperature sensor 2 abnormality | Continuous for 5s | — | Indoor heat exchanger temperature sensor 2 open or short circuit | <ul style="list-style-type: none"> Indoor heat exchanger temperature sensor 2 lead wire and connector |
| H27 | Outdoor air temperature sensor abnormality | Continuous for 5s | — | Outdoor air temperature sensor open or short circuit | <ul style="list-style-type: none"> Outdoor air temperature sensor lead wire and connector |
| H28 | Outdoor heat exchanger temperature sensor 1 abnormality | Continuous for 5s | — | Outdoor heat exchanger temperature sensor 1 open or short circuit | <ul style="list-style-type: none"> Outdoor heat exchanger temperature sensor 1 lead wire and connector |
| H30 | Outdoor discharge pipe temperature sensor abnormality | Continuous for 5s | — | Outdoor discharge pipe temperature sensor open or short circuit | <ul style="list-style-type: none"> Outdoor discharge pipe temperature sensor lead wire and connector |
| H32 | Outdoor heat exchanger temperature sensor 2 abnormality | Continuous for 5s | — | Outdoor heat exchanger temperature sensor 2 open or short circuit | <ul style="list-style-type: none"> Outdoor heat exchanger temperature sensor 2 lead wire and connector |
| H33 | Indoor / outdoor misconnection abnormality | — | — | Indoor and outdoor rated voltage different | <ul style="list-style-type: none"> Indoor and outdoor units check |
| H36 | Outdoor gas pipe temperature sensor abnormality | Continuous for 5s | Heating protection operation only | Outdoor gas pipe temperature sensor open or short circuit | <ul style="list-style-type: none"> Outdoor gas pipe temperature sensor lead wire and connector |
| H37 | Outdoor liquid pipe temperature sensor abnormality | Continuous for 5s | Cooling protection operation only | Outdoor liquid pipe temperature sensor open or short circuit | <ul style="list-style-type: none"> Outdoor liquid pipe temperature sensor lead wire and connector |
| H38 | Indoor/Outdoor mismatch (brand code) | — | — | Brand code not match | <ul style="list-style-type: none"> Check indoor unit and outdoor unit. |
| H39 | Abnormal indoor operating unit or standby units | 3 times happen within 40 minutes | — | Wrong wiring and connecting pipe, expansion valve abnormality, indoor heat exchanger sensor open circuit | <ul style="list-style-type: none"> Check the indoor/outdoor connection wire and connection pipe. Indoor heat exchanger sensor lead wire and connector. Expansion valve and lead wire and connector system. |
| H41 | Abnormal wiring or piping connection | — | — | Wrong wiring and connecting pipe, expansion valve abnormality | <ul style="list-style-type: none"> Check indoor/outdoor connection wire and connection pipe Expansion valve and lead wire and connector |

| Diagnosis display | Abnormality / Protection control | Abnormality Judgement | Protection operation | Problem | Check location |
|-------------------|--|----------------------------------|----------------------|--|---|
| H59 | ECONAVI sensor abnormality | Continuous for 25s | — | ECOANVI sensor open or short circuit | <ul style="list-style-type: none"> ECONAVI sensor (defective or disconnected) ECONAVI PCB |
| H64 | Outdoor high pressure sensor abnormality | Continuous for 1 minutes | — | High pressure sensor open circuit during compressor | <ul style="list-style-type: none"> High pressure sensor Lead wire and connector |
| H97 | Outdoor fan motor mechanism lock | 2 times happen within 30 minutes | — | Outdoor fan motor lock or feedback abnormal | <ul style="list-style-type: none"> Outdoor fan motor lead wire and connector Fan motor lock or block |
| H98 | Indoor high pressure protection | — | — | Indoor high pressure protection (Heating) | <ul style="list-style-type: none"> Check indoor heat exchanger Air filter dirty Air circulation short circuit |
| H99 | Indoor operating unit freeze protection | — | — | Indoor freeze protection (Cooling) | <ul style="list-style-type: none"> Check indoor heat exchanger Air filter dirty Air circulation short circuit |
| F11 | 4-way valve switching abnormality | 4 times happen within 30 minutes | — | 4-way valve switching abnormal | <ul style="list-style-type: none"> 4-way valve Lead wire and connector. |
| F17 | Indoor standby units freezing abnormality | 3 times happen within 40 minutes | — | Wrong wiring and connecting pipe, expansion valve leakage, indoor heat exchanger sensor open circuit | <ul style="list-style-type: none"> Check indoor/outdoor connection wire and pipe Indoor heat exchanger sensor lead wire and connector Expansion valve lead wire and connector. |
| F90 | Power factor correction (PFC) circuit protection | 4 times happen within 10 minutes | — | Power factor correction circuit abnormal | <ul style="list-style-type: none"> Outdoor PCB faulty |
| F91 | Refrigeration cycle abnormality | 2 times happen within 20 minutes | — | Refrigeration cycle abnormal | <ul style="list-style-type: none"> Insufficient refrigerant or valve close |
| F93 | Compressor abnormal revolution | 4 times happen within 20 minutes | — | Compressor abnormal revolution | <ul style="list-style-type: none"> Power transistor module faulty or compressor lock |
| F94 | Compressor discharge overshoot protection | 4 times happen within 30 minutes | — | Compressor discharge pressure overshoot | <ul style="list-style-type: none"> Check refrigeration system |
| F95 | Outdoor cooling high pressure protection | 4 times happen within 20 minutes | — | Cooling high pressure protection | <ul style="list-style-type: none"> Check refrigeration system Outdoor air circuit |
| F96 | Power transistor module overheating protection | 4 times happen within 30 minutes | — | Power transistor module overheat | <ul style="list-style-type: none"> PCB faulty Outdoor air circuit (fan motor) |
| F97 | Compressor overheating protection | 3 times happen within 30 minutes | — | Compressor overheat | <ul style="list-style-type: none"> Insufficient refrigerant |
| F98 | Total running current protection | 3 times happen within 20 minutes | — | Total current protection | <ul style="list-style-type: none"> Check refrigeration system Power source or compressor lock |
| F99 | Outdoor direct current (DC) peak detection | Continuous happen for 7 times | — | Power transistor module current protection | <ul style="list-style-type: none"> Power transistor module faulty or compressor lock |

Note:

“o” – Frequency measured and fan speed fixed

The memory data of error code is erased when the power supply is cut off, or press the Auto Switch until “beep” sound heard following by pressing the CHECK button at remote control.

Although operation forced to stop when abnormality detected, emergency operation is possible for certain errors (refer to Error Code Table) by using remote control or Auto OFF/ON button at indoor unit. However, the remote control signal receiving sound is changed from one “beep” to four “beep” sounds.

18.4 Self-diagnosis Method

18.4.1 H11 (Indoor/Outdoor Abnormal Communication)

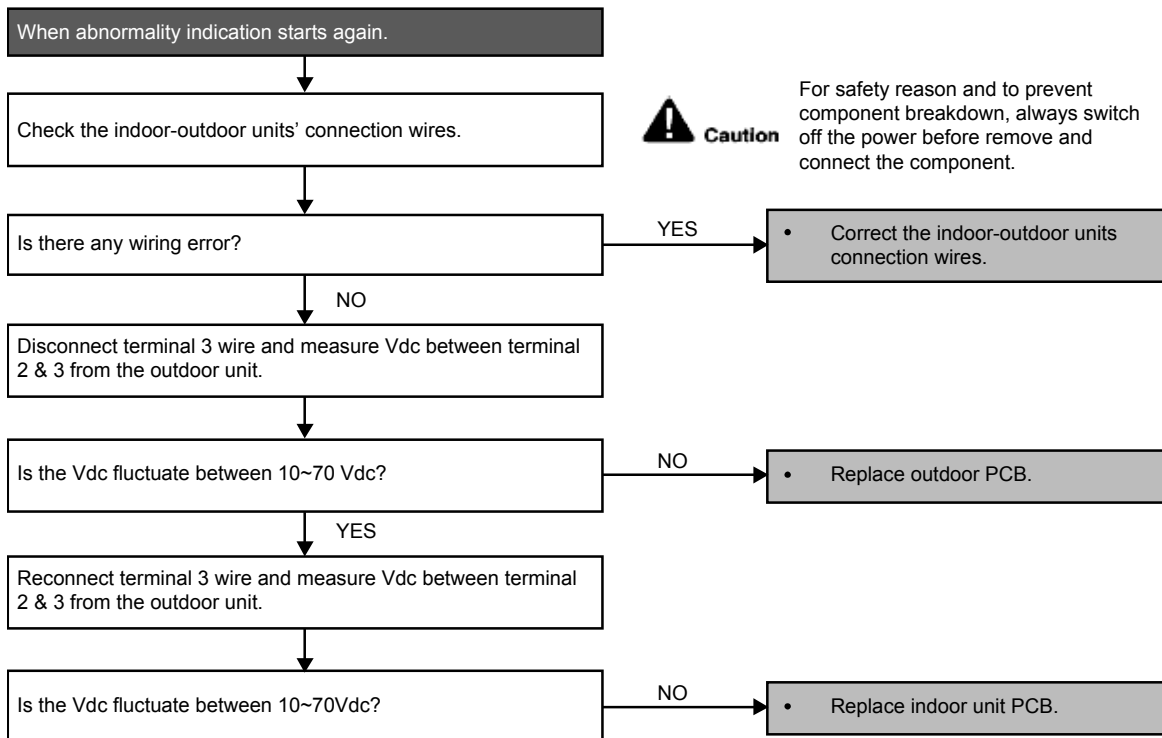
Malfunction Decision Conditions

- During startup and operation of cooling and heating, the data received from outdoor unit in indoor unit signal transmission is checked whether it is normal.

Malfunction Caused

- Faulty indoor unit PCB.
- Faulty outdoor unit PCB.
- Indoor unit-outdoor unit signal transmission error due to wrong wiring.
- Indoor unit-outdoor unit signal transmission error due to breaking of wire in the connection wires between the indoor and outdoor units.
- Indoor unit-outdoor unit signal transmission error due to disturbed power supply waveform.

Troubleshooting



18.4.2 H12 (Indoor/Outdoor Capacity Rank Mismatched)

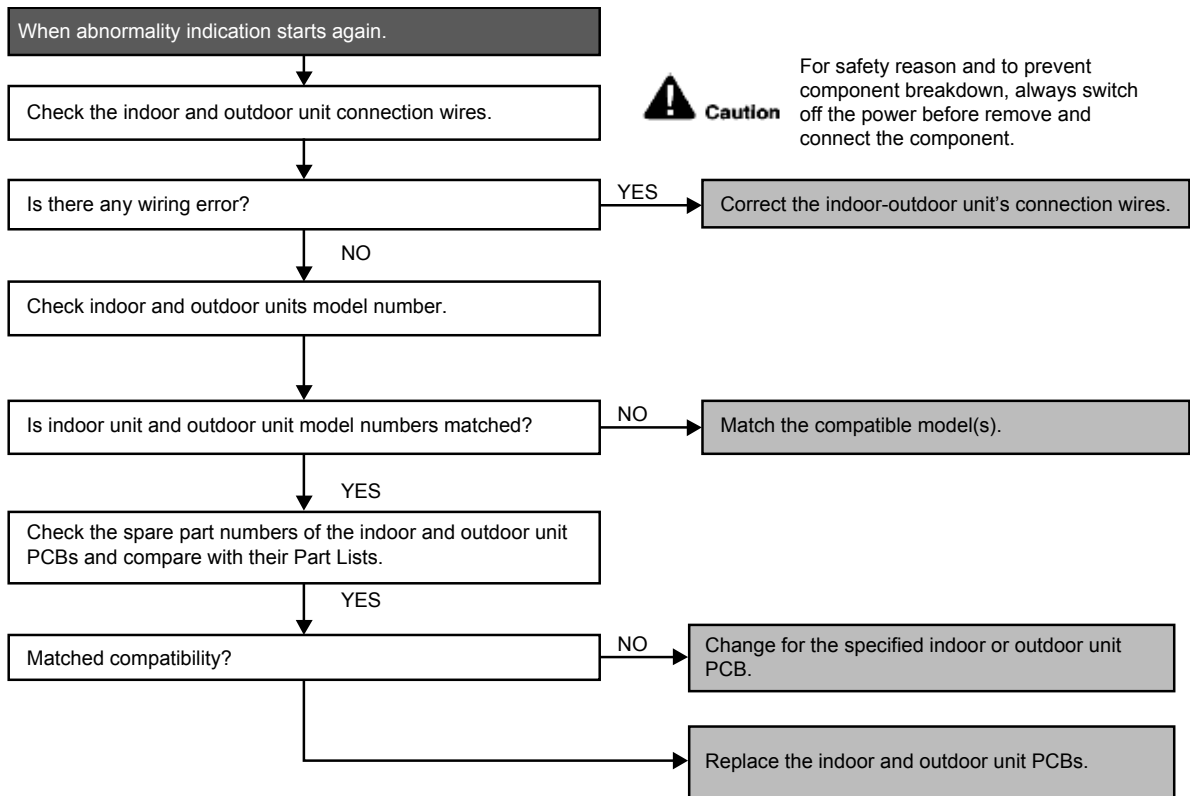
Malfunction Decision Conditions

- During startup, error code appears when different types of indoor and outdoor units are interconnected.

Malfunction Caused

- Wrong models interconnected.
- Wrong indoor unit or outdoor unit PCBs mounted.
- Indoor unit or outdoor unit PCBs defective.
- Indoor-outdoor unit signal transmission error due to wrong wiring.
- Indoor-outdoor unit signal transmission error due to breaking of wire 3 in the connection wires between the indoor and outdoor units.

Troubleshooting



18.4.3 H14 (Indoor Intake Air Temperature Sensor Abnormality)

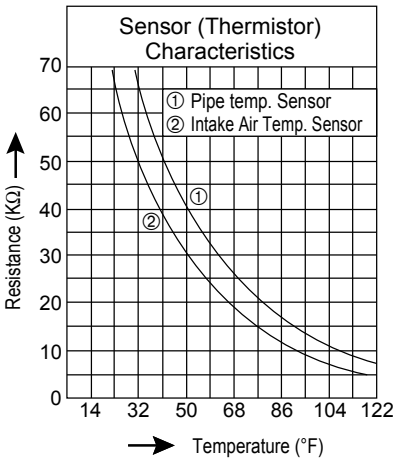
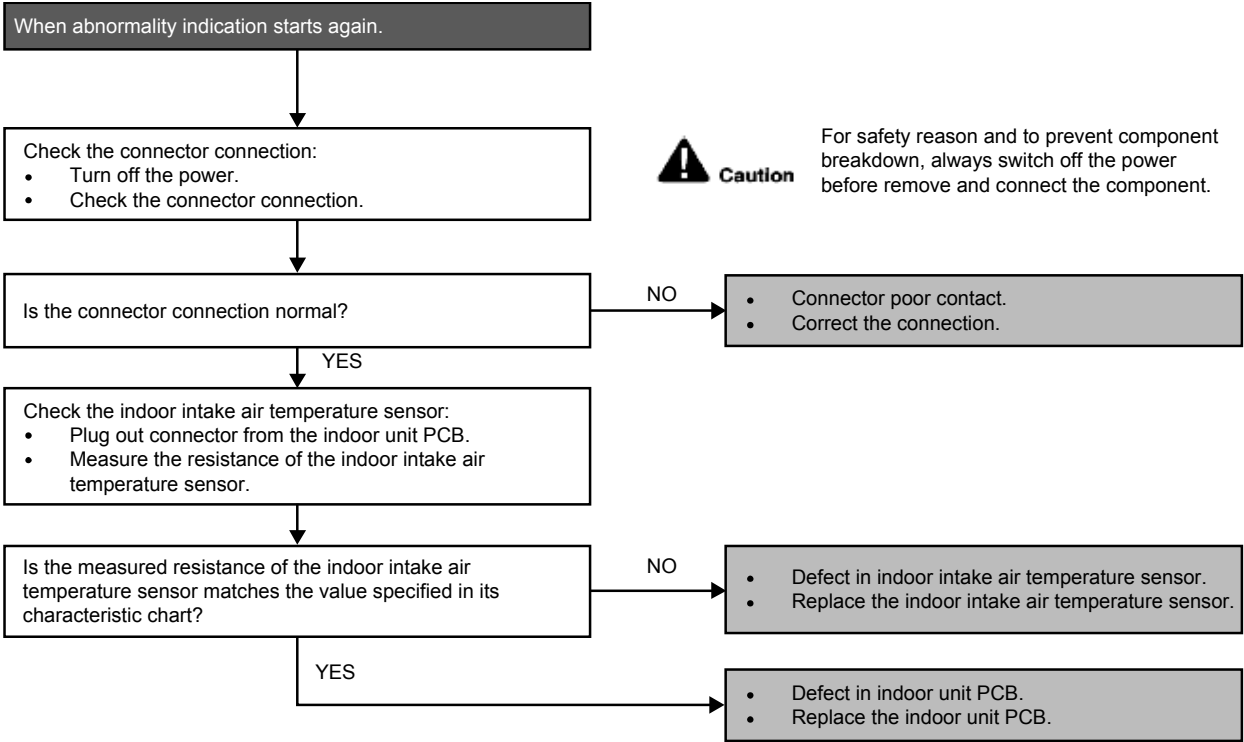
Malfunction Decision Conditions

- During startup and operation of cooling and heating, the temperatures detected by the indoor intake air temperature sensor are used to determine sensor errors.

Malfunction Caused

- Faulty connector connection.
- Faulty sensor.
- Faulty PCB.

Troubleshooting



18.4.4 H15 (Compressor Temperature Sensor Abnormality)

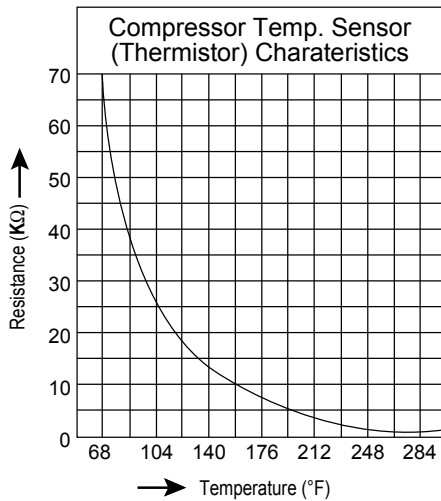
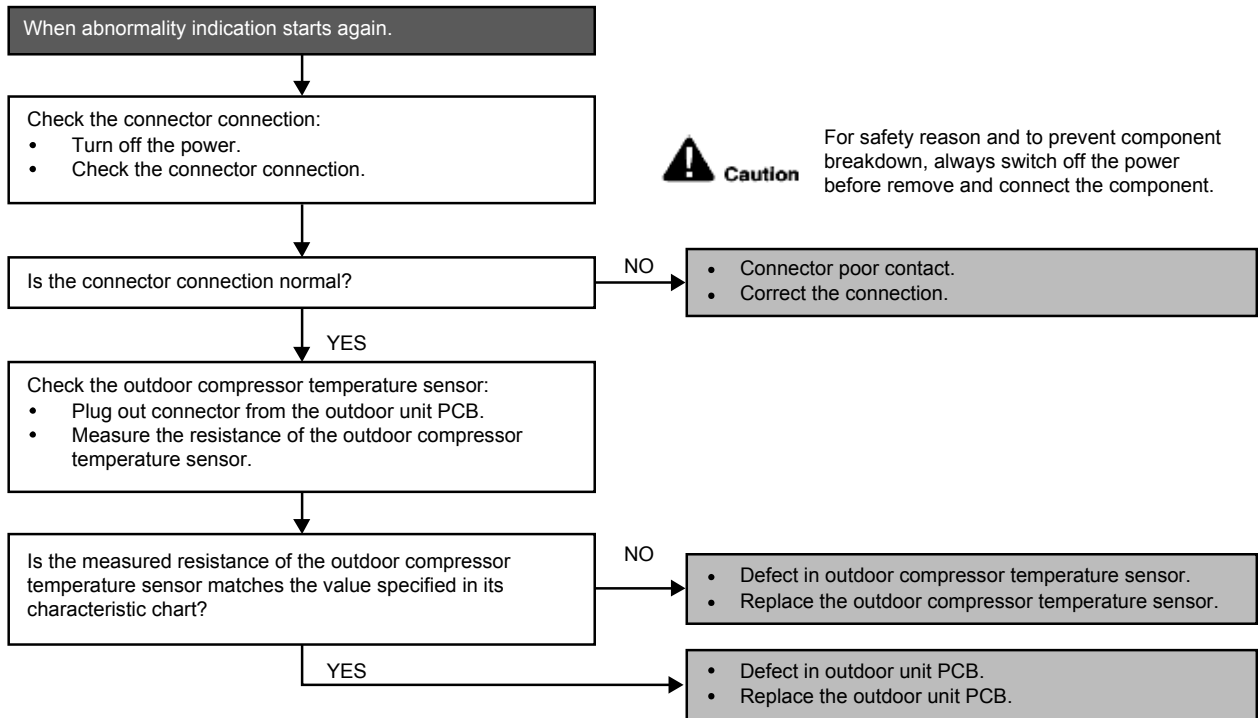
Malfunction Decision Conditions

- During startup and operation of cooling and heating, the temperatures detected by the outdoor compressor temperature sensor are used to determine sensor errors.

Malfunction Caused

- Faulty connector connection.
- Faulty sensor.
- Faulty PCB.

Troubleshooting



18.4.5 H16 (Outdoor Current Transformer)

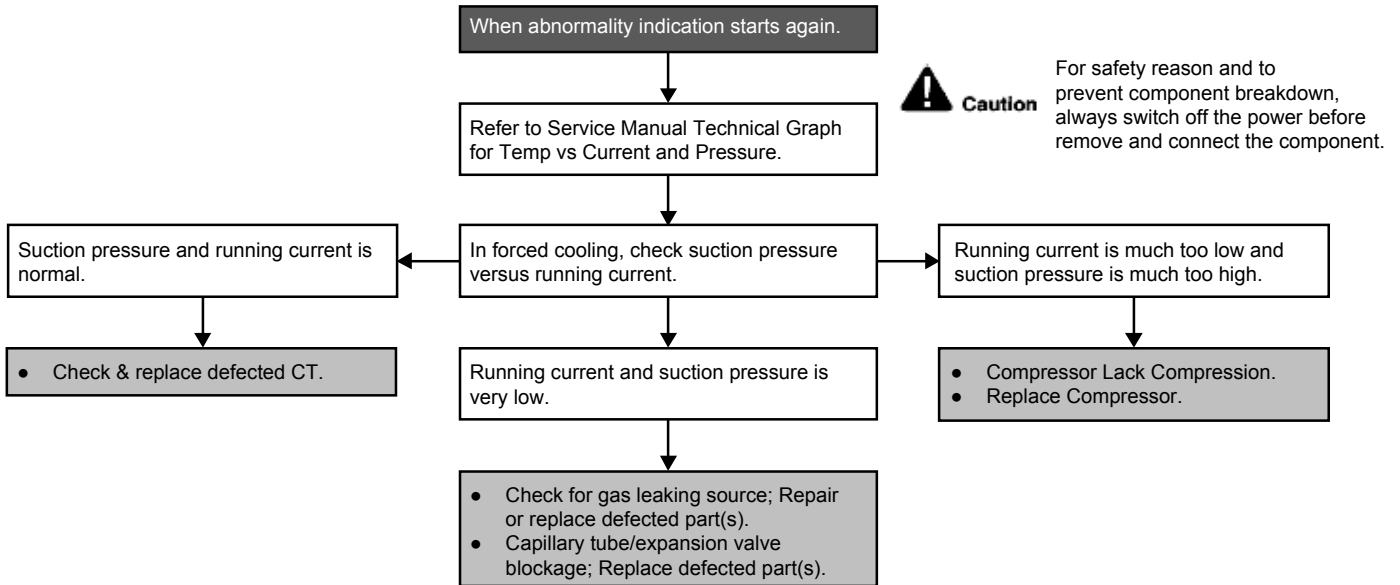
Malfunction Decision Conditions

- An input current, detected by Current Transformer CT, is below threshold value when the compressor is operating at certain frequency value for 3 minutes.

Malfunction Caused

- Lack of gas.
- Broken CT (current transformer).
- Broken Outdoor PCB.

Troubleshooting



18.4.6 H19 (Indoor Fan Motor – DC Motor Mechanism Locked)

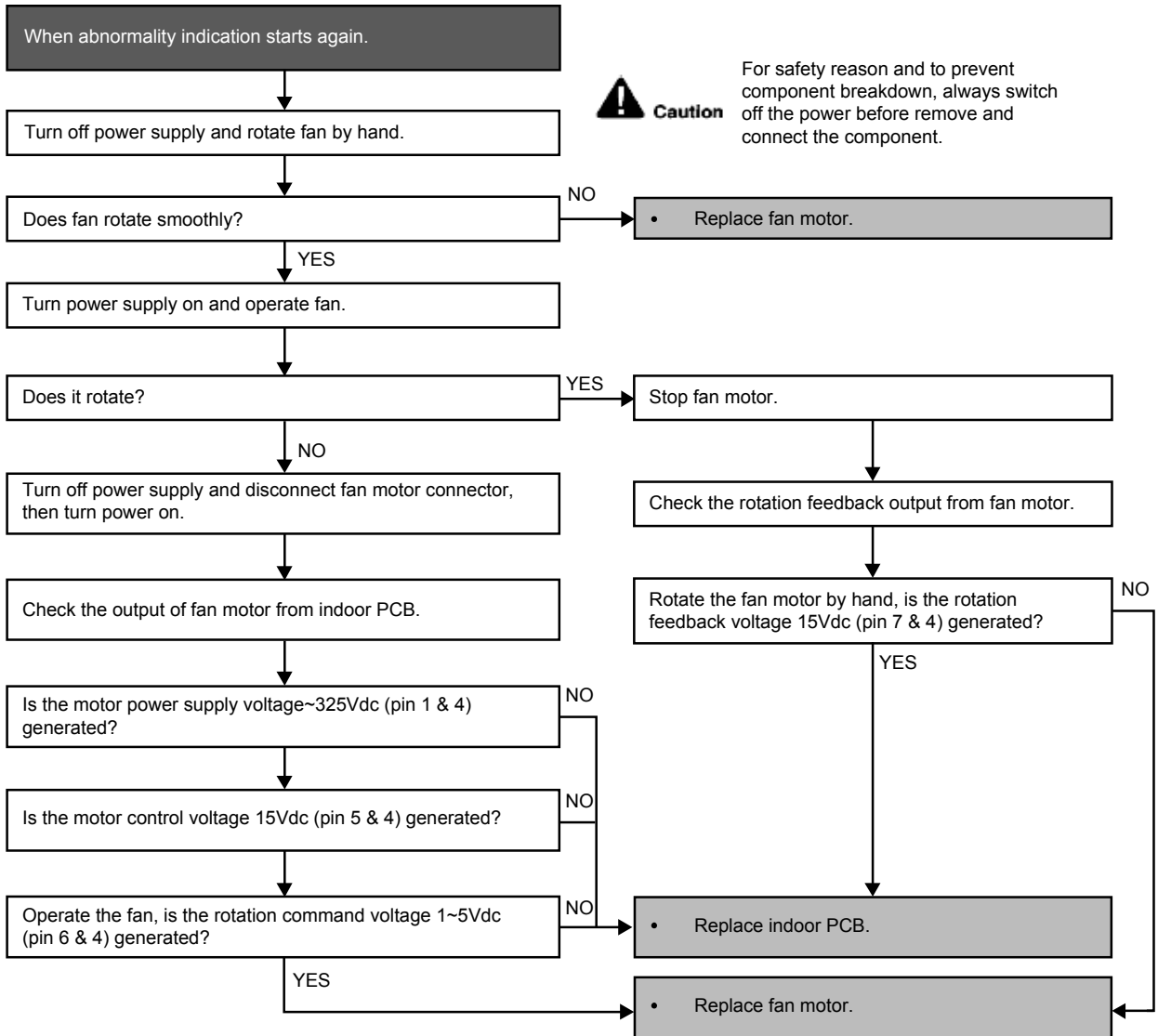
Malfunction Decision Conditions

- The rotation speed detected by the Hall IC during fan motor operation is used to determine abnormal fan motor (feedback of rotation > 2550rpm or < 50rpm)

Malfunction Caused

- Operation stops due to short circuit inside the fan motor winding.
- Operation stops due to breaking of wire inside the fan motor.
- Operation stops due to breaking of fan motor lead wires.
- Operation stops due to Hall IC malfunction.
- Operation error due to faulty indoor unit PCB.

Troubleshooting



18.4.7 H23 (Indoor Pipe Temperature Sensor Abnormality)

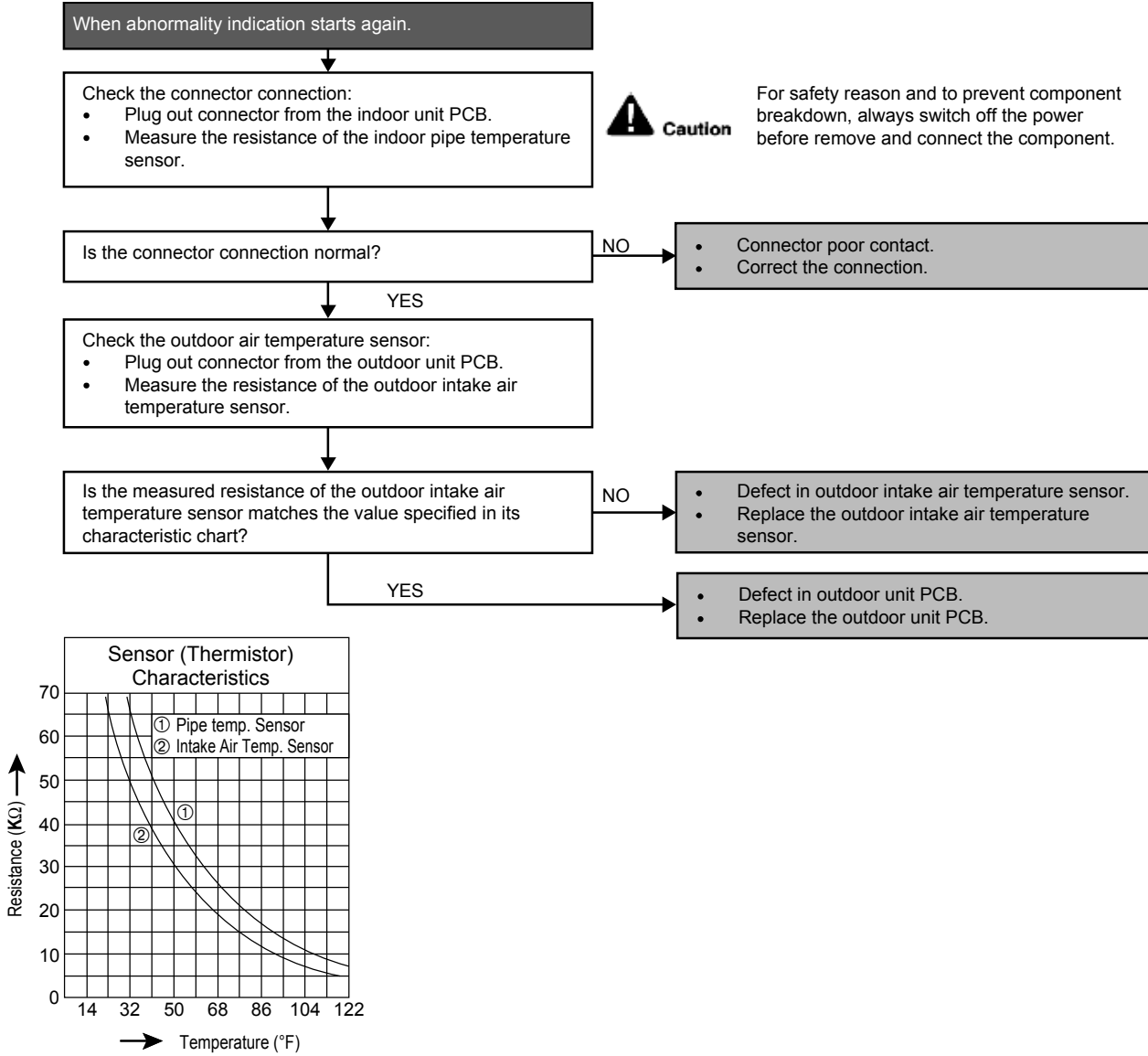
Malfunction Decision Conditions

- During startup and operation of cooling and heating, the temperatures detected by the indoor heat exchanger temperature sensor are used to determine sensor errors.

Malfunction Caused

- Faulty connector connection.
- Faulty sensor.
- Faulty PCB.

Troubleshooting



18.4.8 H27 (Outdoor Air Temperature Sensor Abnormality)

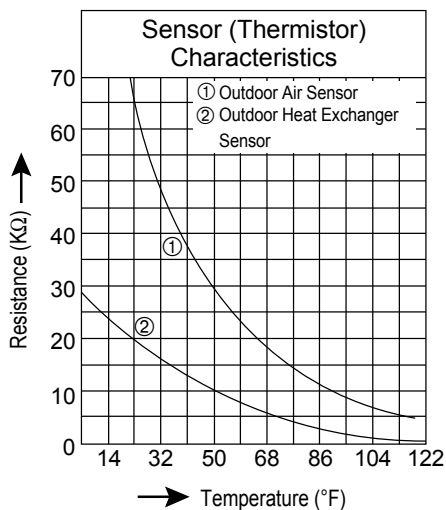
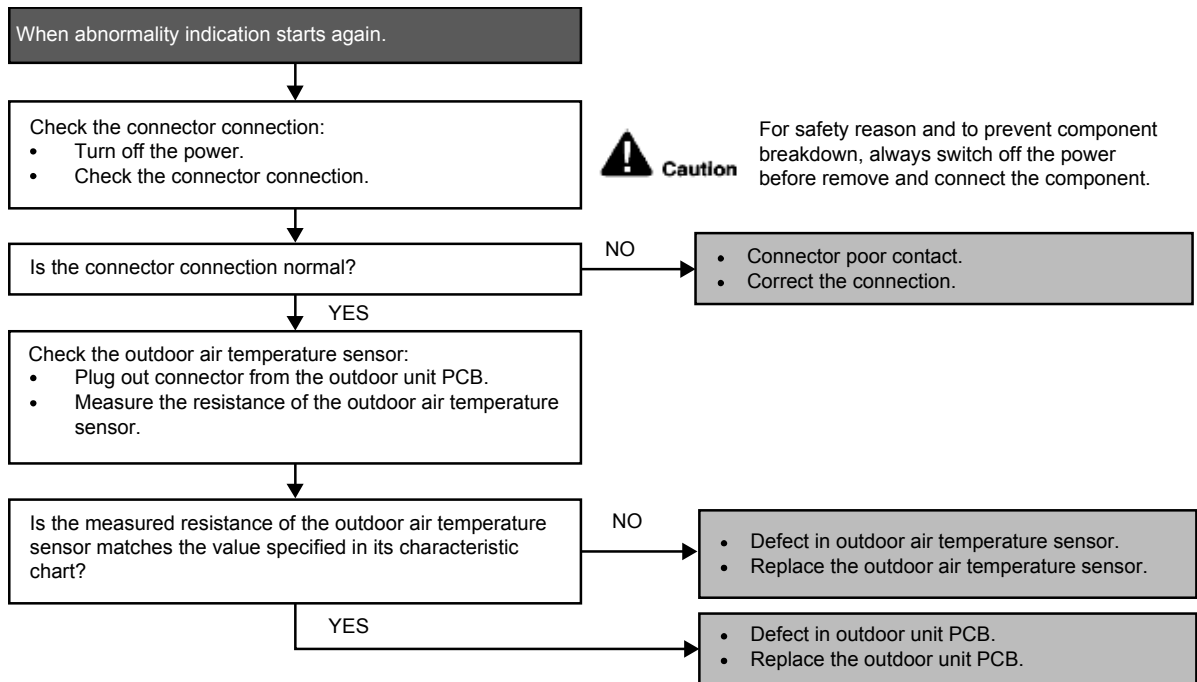
Malfunction Decision Conditions

- During startup and operation of cooling and heating, the temperatures detected by the outdoor air temperature sensor are used to determine sensor errors.

Malfunction Caused

- Faulty connector connection.
- Faulty sensor.
- Faulty PCB.

Troubleshooting



18.4.9 H28 (Outdoor Pipe Temperature Sensor Abnormality)

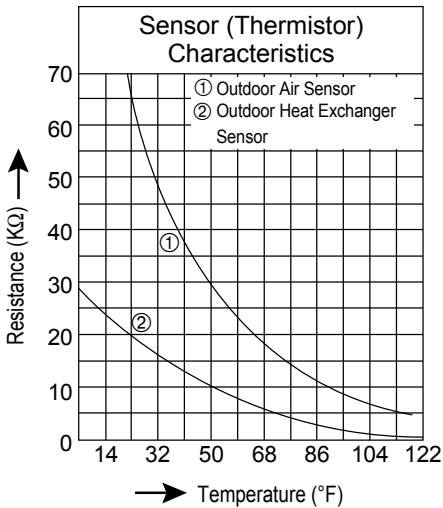
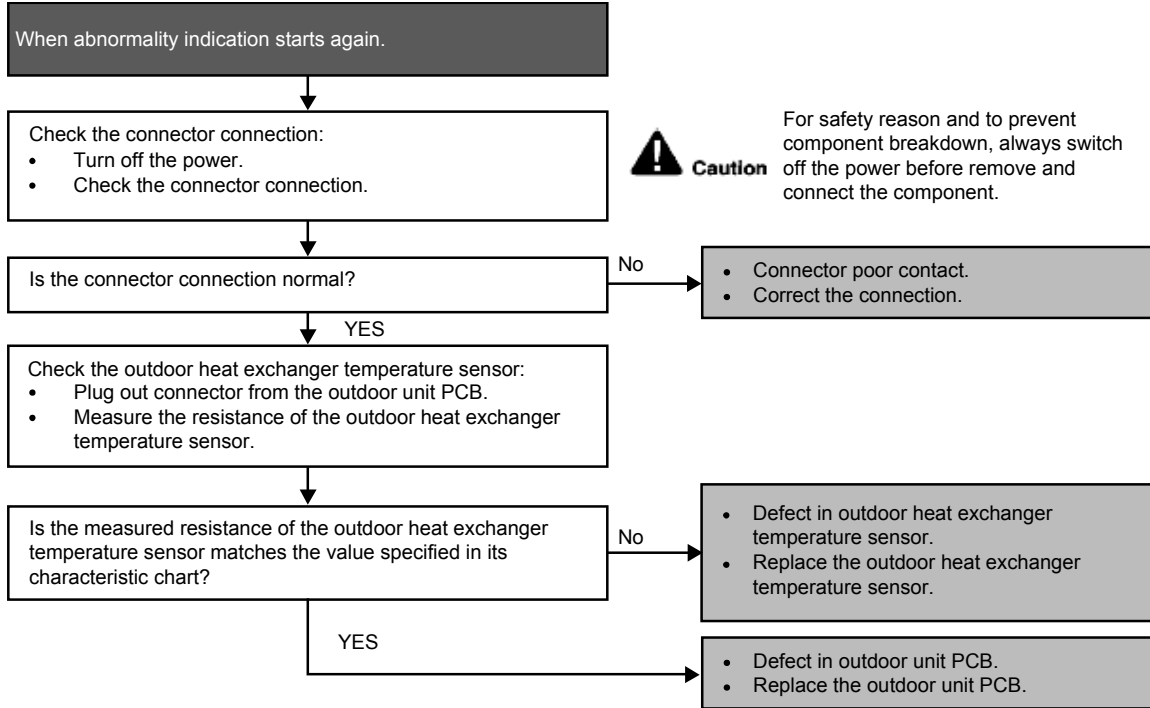
Malfunction Decision Conditions

- During startup and operation of cooling and heating, the temperatures detected by the outdoor pipe temperature sensor are used to determine sensor errors.

Malfunction Caused

- Faulty connector connection.
- Faulty sensor.
- Faulty PCB.

Troubleshooting



18.4.10 H30 (Compressor Discharge Temperature Sensor Abnormality)

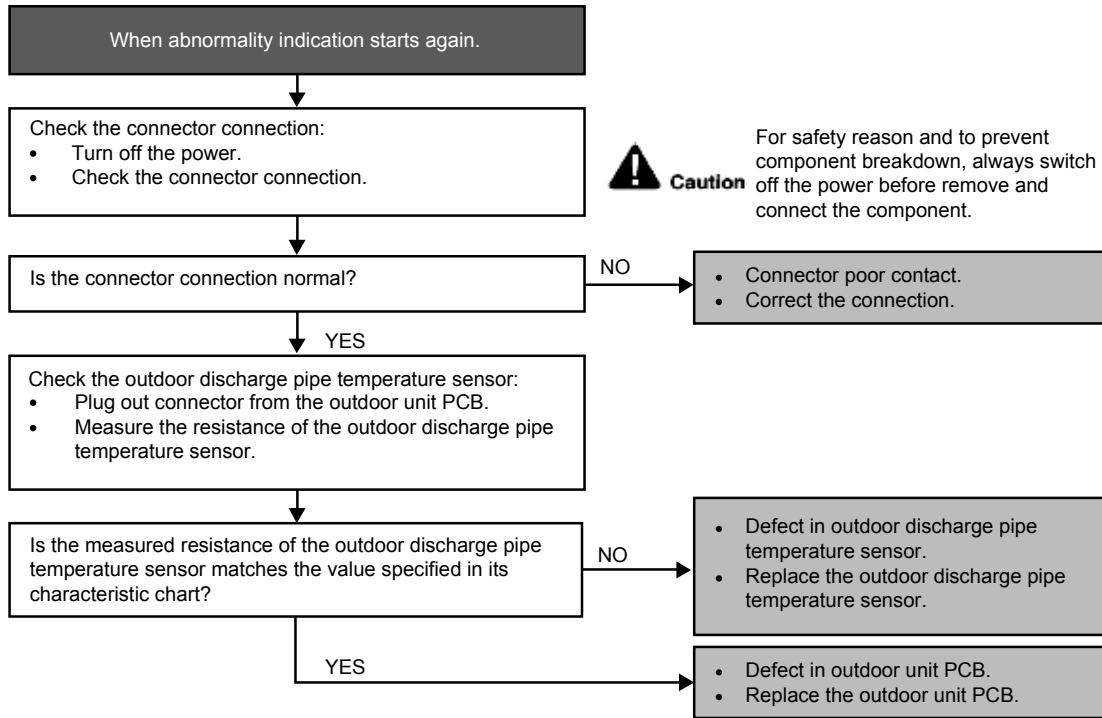
Malfunction Decision Conditions

- During startup and operation of cooling and heating, the temperatures detected by the outdoor discharge pipe temperature sensor are used to determine sensor errors.

Malfunction Caused

- Faulty connector connection.
- Faulty sensor.
- Faulty PCB.

Troubleshooting



18.4.11 H32 (Outdoor Heat Exchanger Temperature Sensor 2 Abnormality)

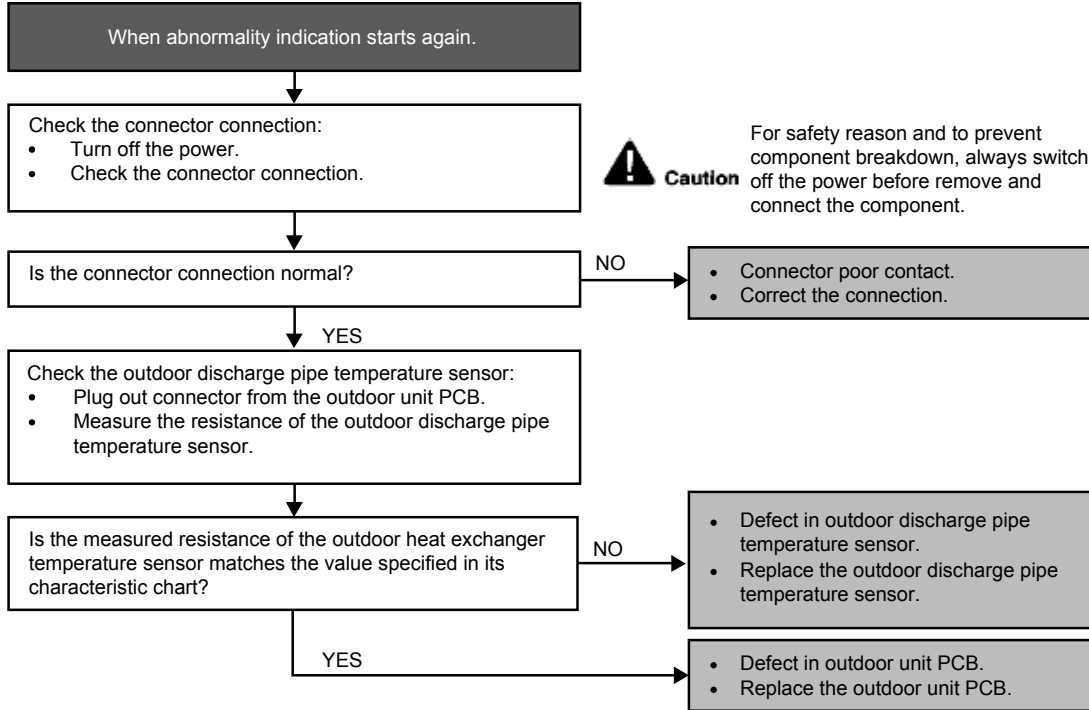
Malfunction Decision Conditions

- During startup and operation of cooling and heating, the temperatures detected by the outdoor heat exchanger temperature sensor are used to determine sensor errors.

Malfunction Caused

- Faulty connector connection.
- Faulty sensor.
- Faulty PCB.

Troubleshooting



18.4.12 H33 (Unspecified Voltage between Indoor and Outdoor)

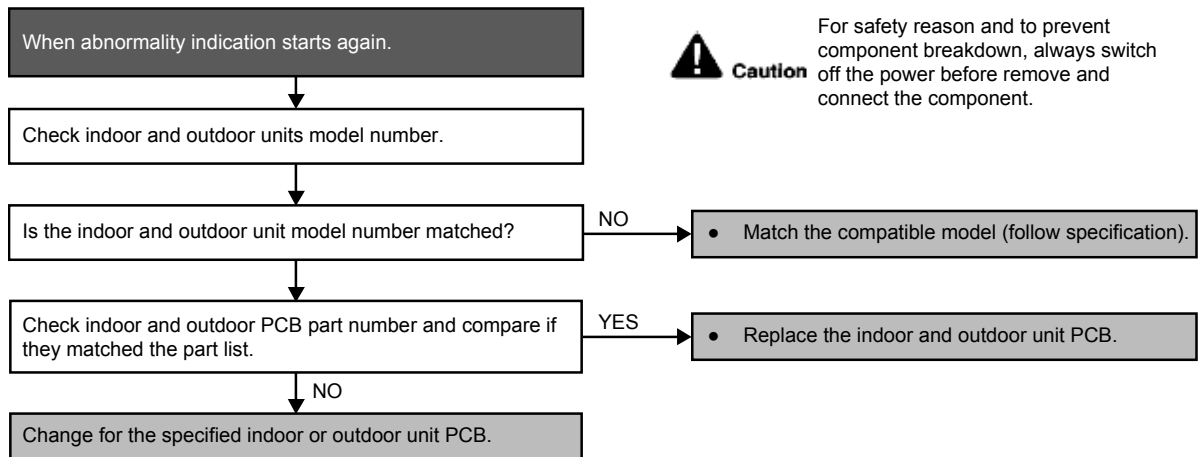
Malfunction Decision Conditions

- The supply power is detected for its requirement by the indoor/outdoor transmission.

Malfunction Caused

- Wrong models interconnected.
- Wrong indoor unit and outdoor unit PCBs used.
- Indoor unit or outdoor unit PCB defective.

Troubleshooting



18.4.13 H36 (Outdoor Gas Pipe Sensor Abnormality)

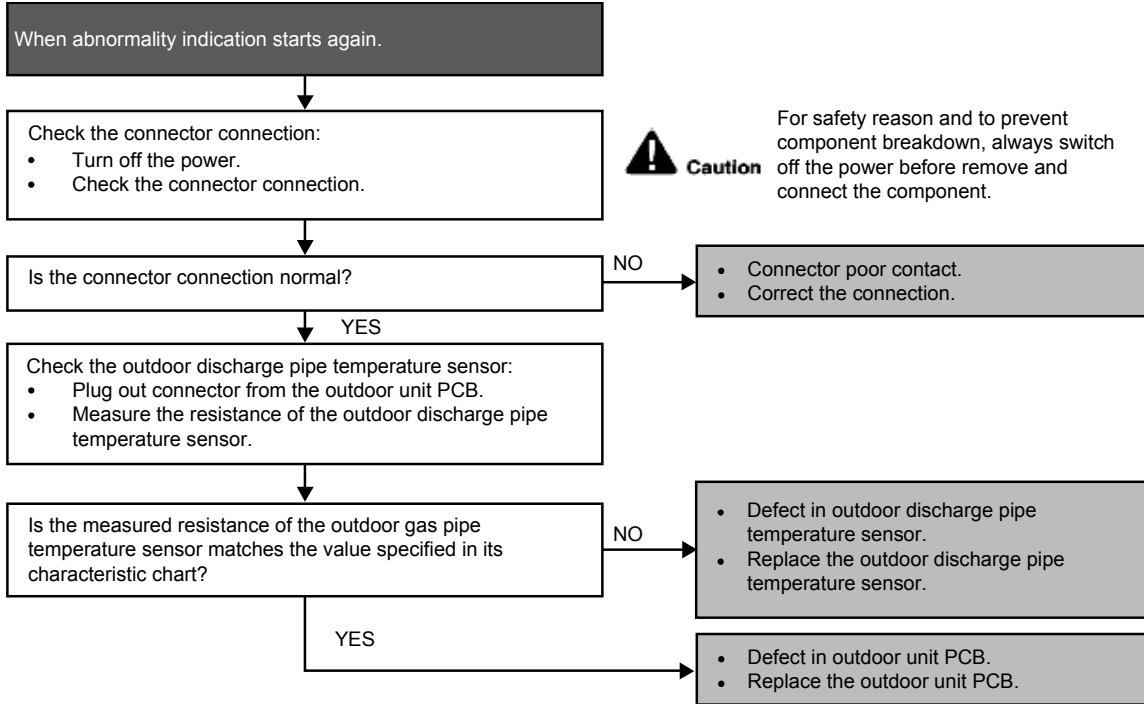
Malfunction Decision Conditions

- During startup and operation of cooling and heating, the temperatures detected by the outdoor gas pipe temperature sensor are used to determine sensor errors.

Malfunction Caused

- Faulty connector connection.
- Faulty sensor.
- Faulty PCB.

Troubleshooting



18.4.14 H37 (Outdoor Liquid Pipe Temperature Sensor Abnormality)

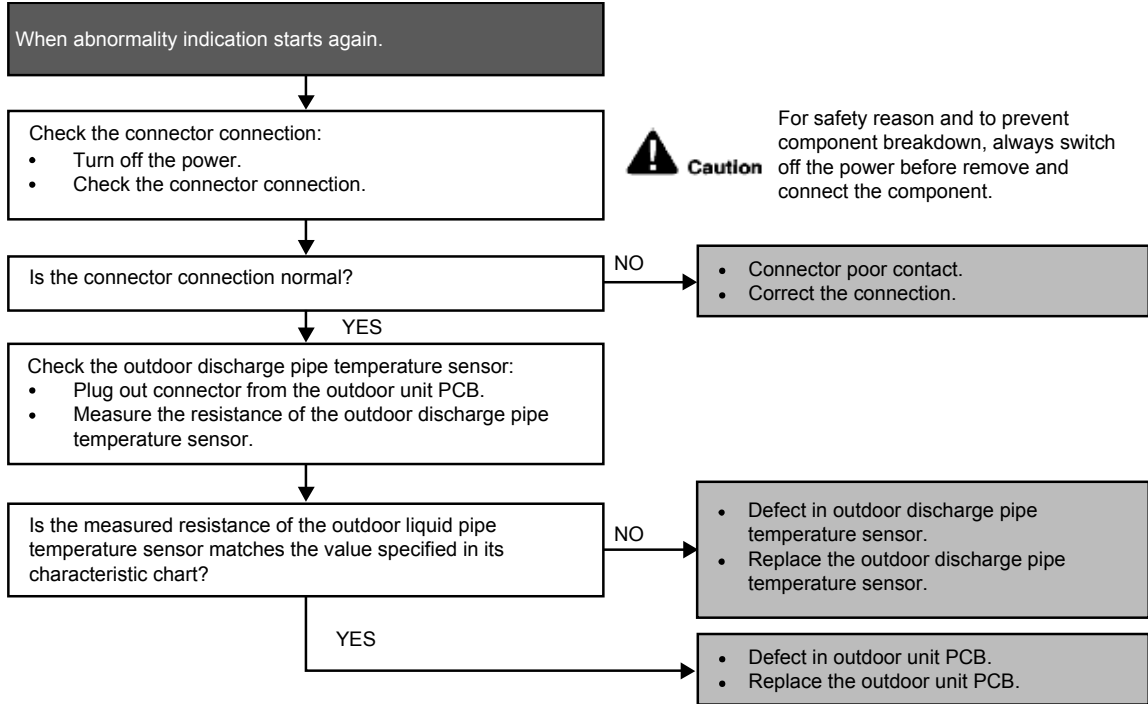
Malfunction Decision Conditions

- During startup and operation of cooling and heating, the temperatures detected by the outdoor liquid pipe temperature sensor are used to determine sensor errors.

Malfunction Caused

- Faulty connector connection.
- Faulty sensor.
- Faulty PCB.

Troubleshooting



18.4.15 H59 (Human Activity Sensor Abnormality)

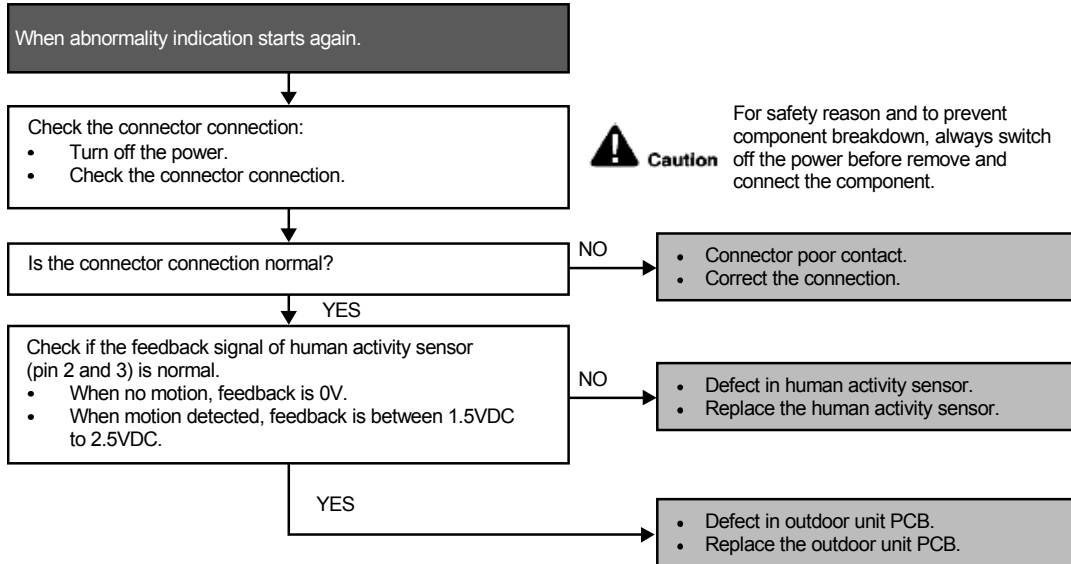
Malfunction Decision Conditions

- Feedback signal of human activity sensor.

Malfunction Caused

- Feedback signal is fixed at 0 VDC or 5 VDC continuously for 25 seconds during ECONAVI or AUTO COMFORT operation.
- Feedback signal is detected during ECONAVI or AUTO COMFORT off.

Troubleshooting



18.4.16 H70 (Light Sensor Abnormality)

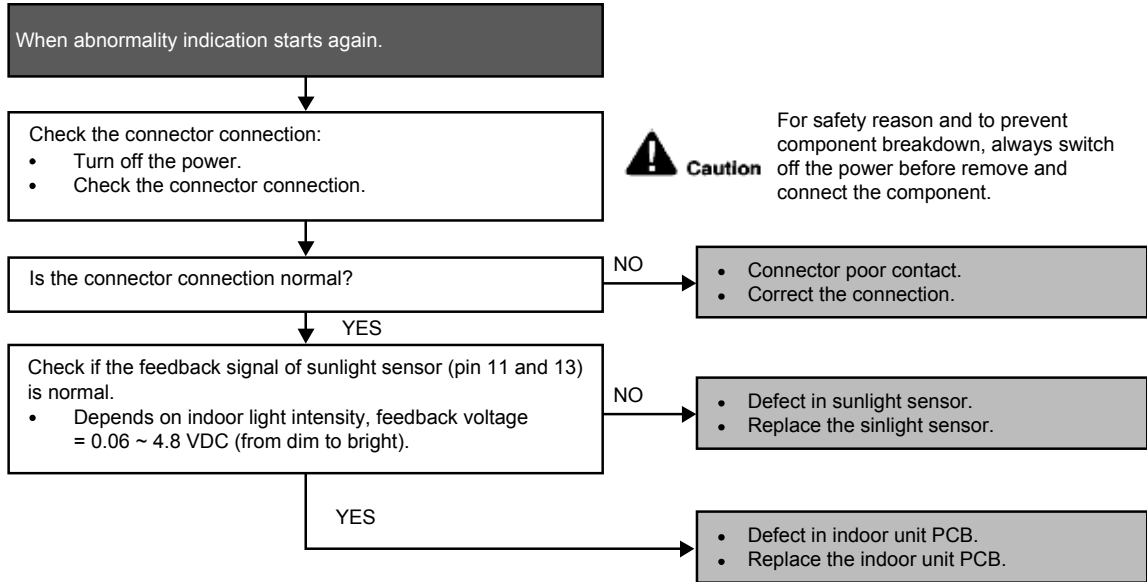
Malfunction Decision Conditions

- Feedback signal of light sensor.

Malfunction Caused

- Feedback value is 0 VDC continuously.

Troubleshooting



18.4.17 H97 (Outdoor Fan Motor – DC Motor Mechanism Locked)

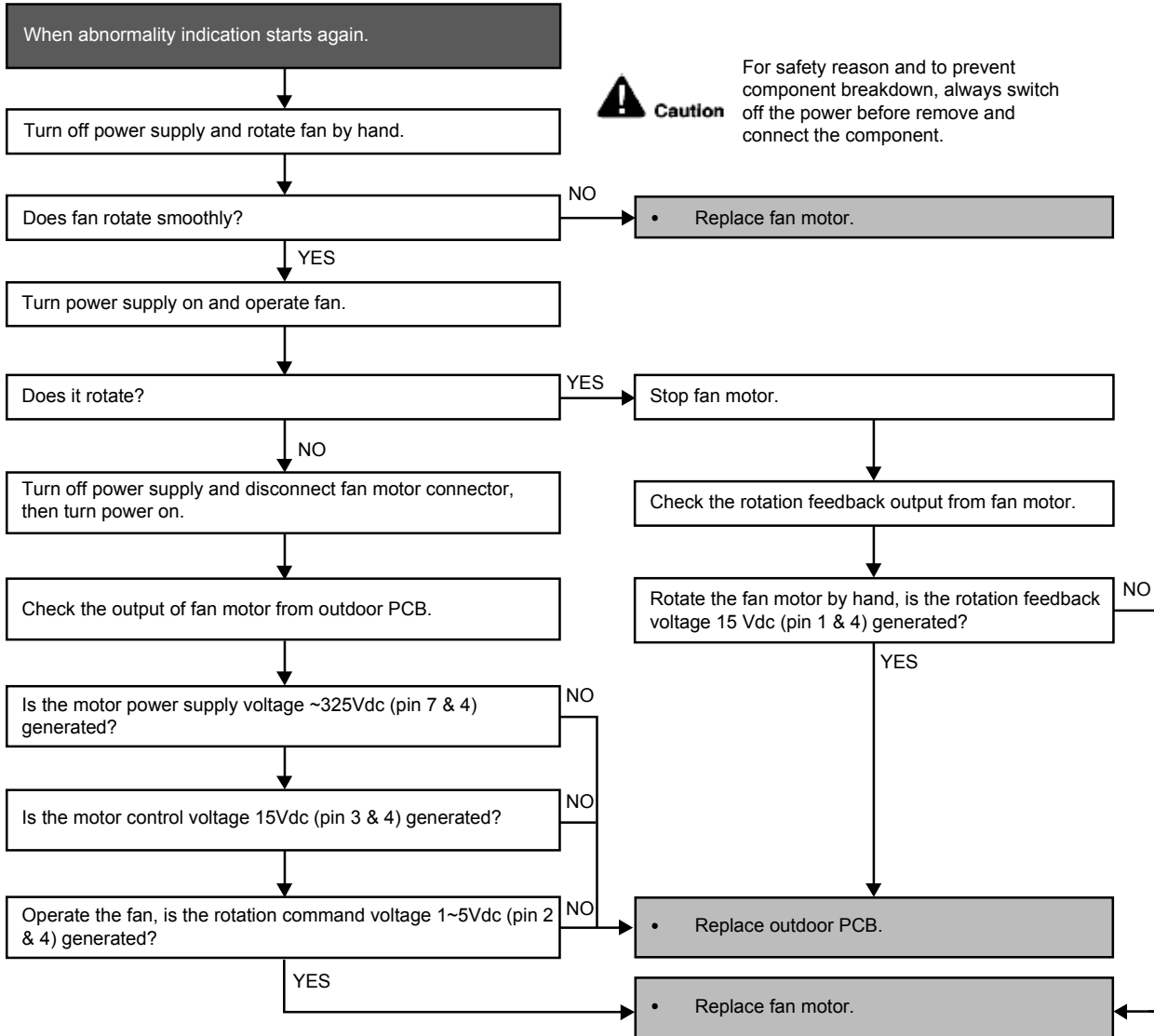
Malfunction Decision Conditions

- The rotation speed detected by the Hall IC during fan motor operation is used to determine abnormal fan motor.

Malfunction Caused

- Operation stops due to short circuit inside the fan motor winding.
- Operation stops due to breaking of wire inside the fan motor.
- Operation stops due to breaking of fan motor lead wires.
- Operation stops due to Hall IC malfunction.
- Operation error due to faulty outdoor unit PCB.

Troubleshooting



18.4.18 H98 (Error Code Stored in Memory and no alarm is triggered / no TIMER LED flashing)

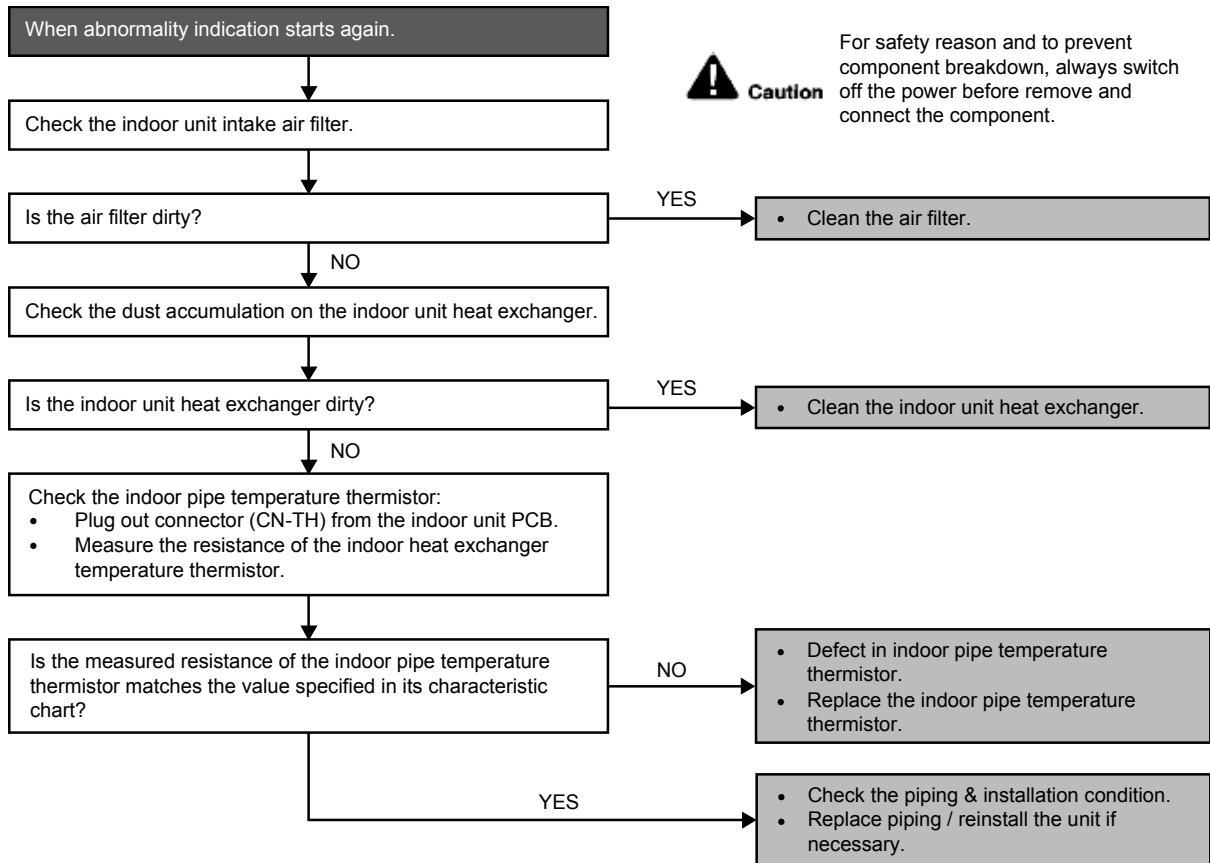
Malfunction Decision Conditions

- Indoor high pressure is detected when indoor heat exchanger is detecting very high temperature when the unit is operating in heating operation.
- Phenomena: unit is stopping and re-starting very often in heating mode.

Malfunction Caused

- Indoor heat exchanger thermistor.
- Clogged air filter or heat exchanger.
- Over-bent pipe (liquid side).

Troubleshooting



18.4.19 H99 (Indoor Freeze Prevention Protection: Cooling or Soft Dry)

Error Code will not display (no Timer LED blinking) but store in EEPROM

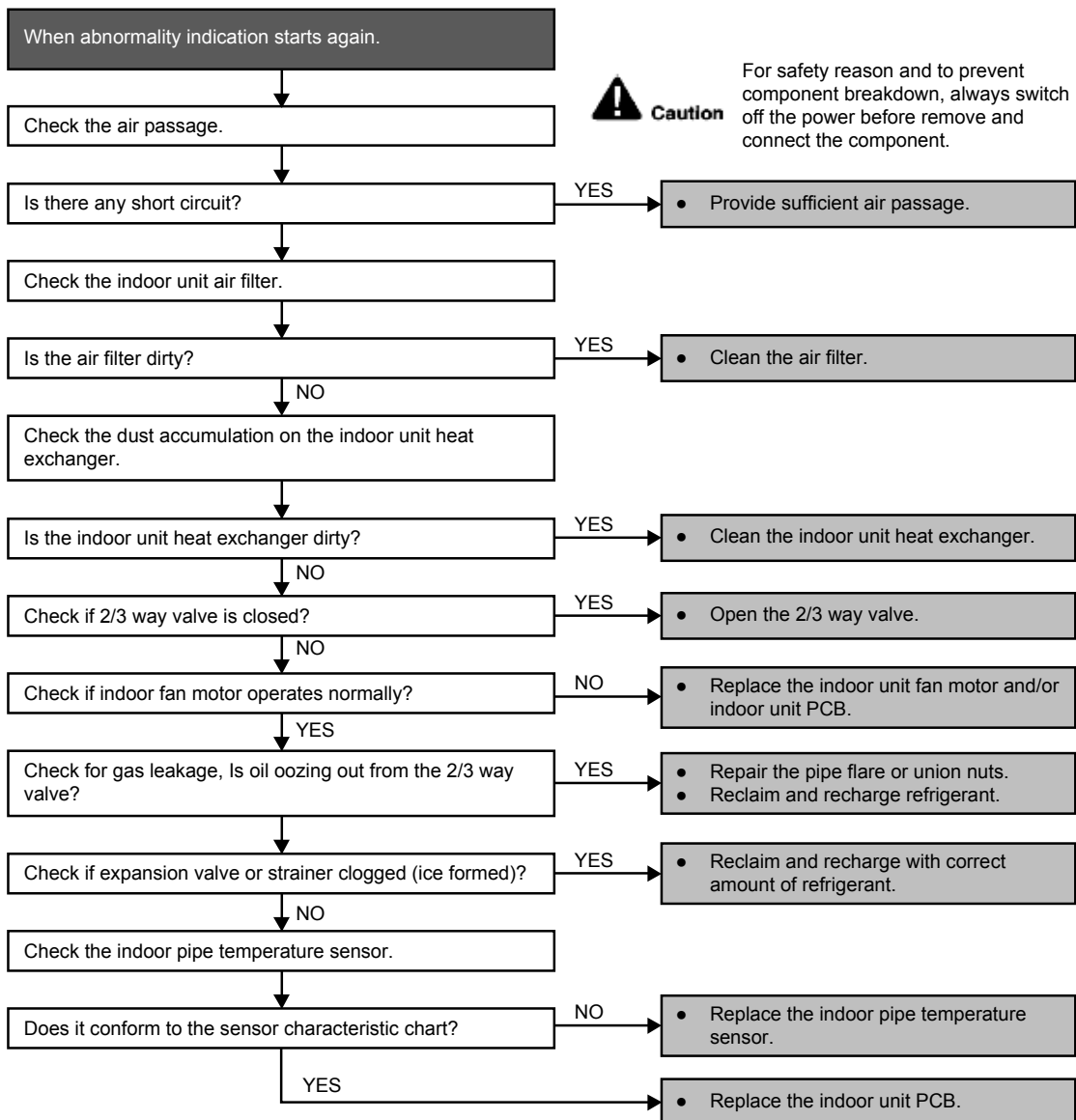
Malfunction Decision Conditions

- Freeze prevention control takes place (when indoor pipe temperature is lower than 2°C).

Malfunction Caused

- Air short circuit at indoor unit.
- Clogged indoor unit air filter.
- Dust accumulation on the indoor unit heat exchanger.
- 2/3 way valve closed.
- Faulty indoor unit fan motor.
- Refrigerant shortage (refrigerant leakage).
- Clogged expansion valve or strainer.
- Faulty indoor pipe temperature sensor.
- Faulty indoor unit PCB.

Troubleshooting



18.4.20 F11 (4-way Valve Switching Failure)

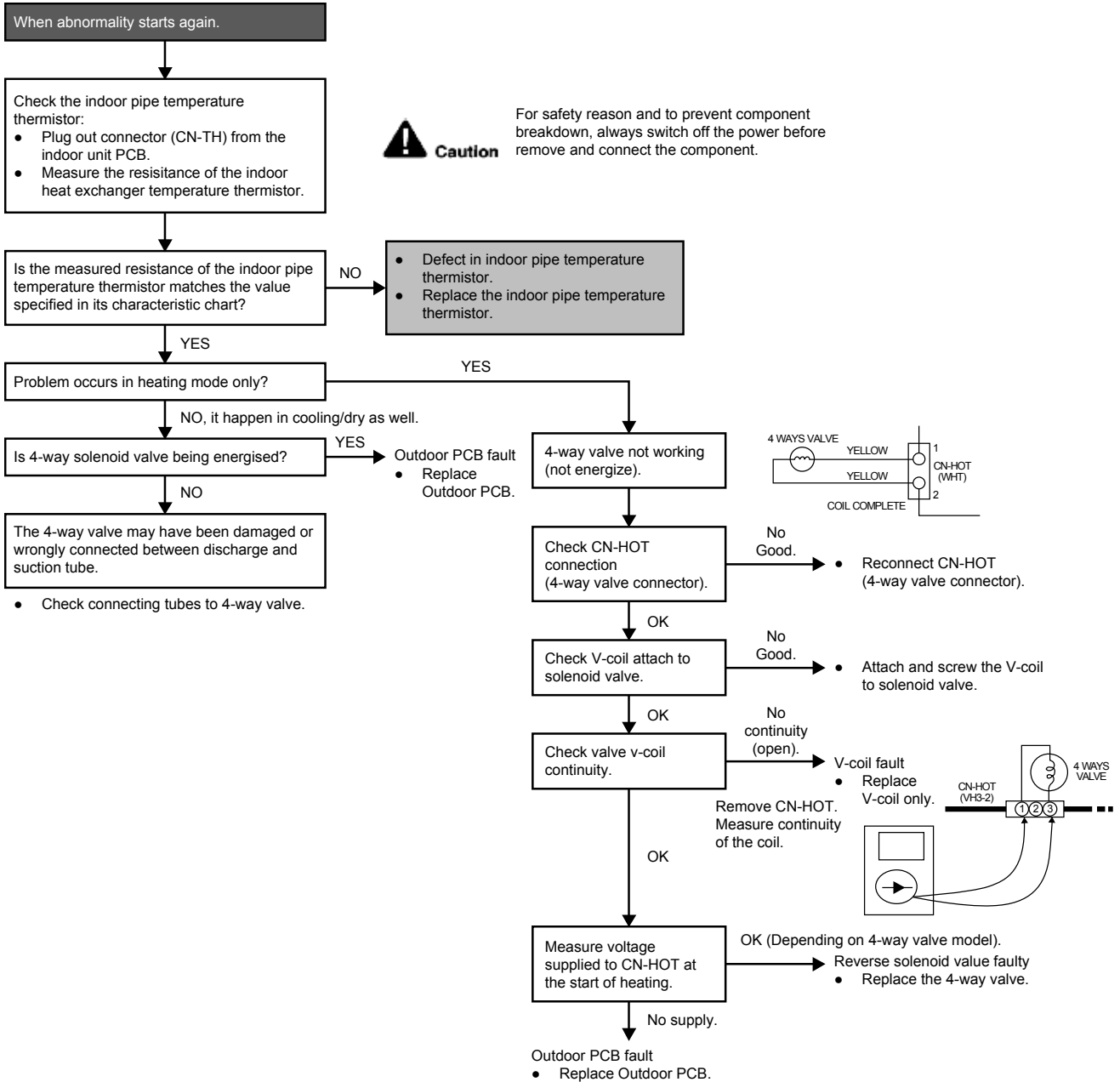
Malfunction Decision Conditions

- When indoor heat exchanger is cold during heating (except deice) or when indoor heat exchanger is hot during cooling and compressor operating, the 4-way valve is detected as malfunction.

Malfunction Caused

- Indoor heat exchanger (pipe) thermistor
- 4-way valve malfunction

Troubleshooting



* Check gas side pipe – for hot gas flow in cooling mode

18.4.21 F17 (Indoor Standby Units Freezing Abnormality)

Malfunction Decision Conditions

- When the different between indoor intake air temperature and indoor pipe temperature is above 50°F or indoor pipe temperature is below 30.2°F

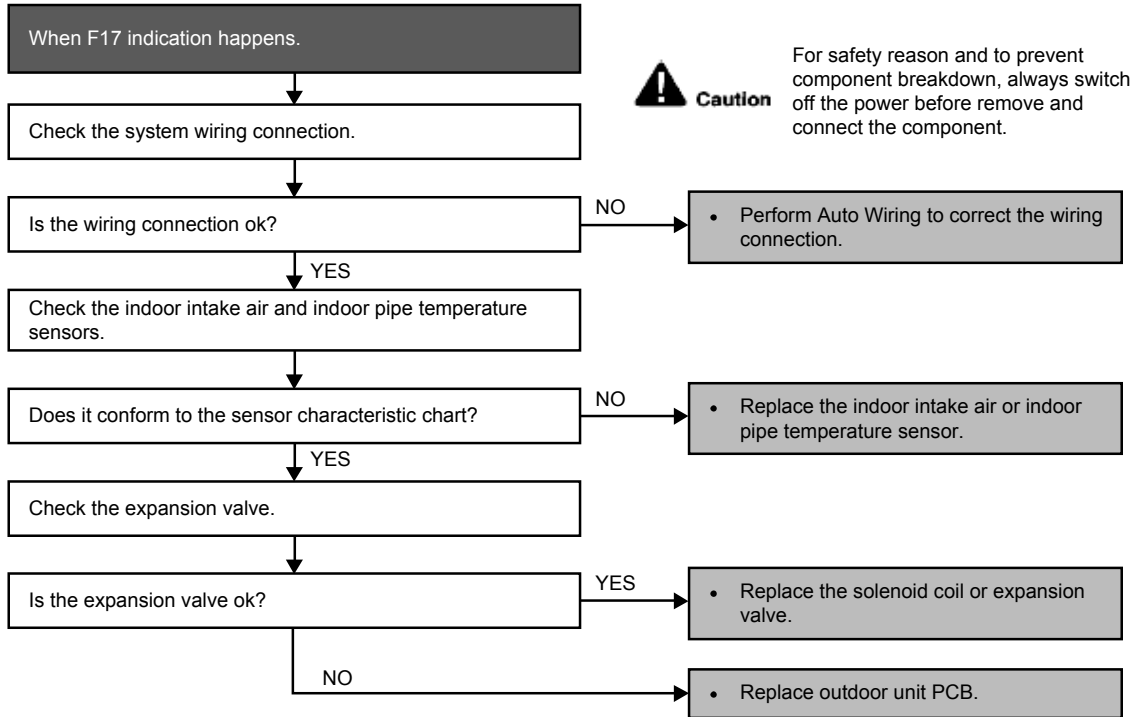
Remark:

When the indoor standby unit is freezing, the outdoor unit transfers F17 error code to the corresponding indoor unit and H39 to other indoor unit(s).

Malfunction Caused

- Wrong wiring connection
- Faulty sensor
- Faulty expansion valve

Troubleshooting



18.4.22 F90 (Power Factor Correction Protection)

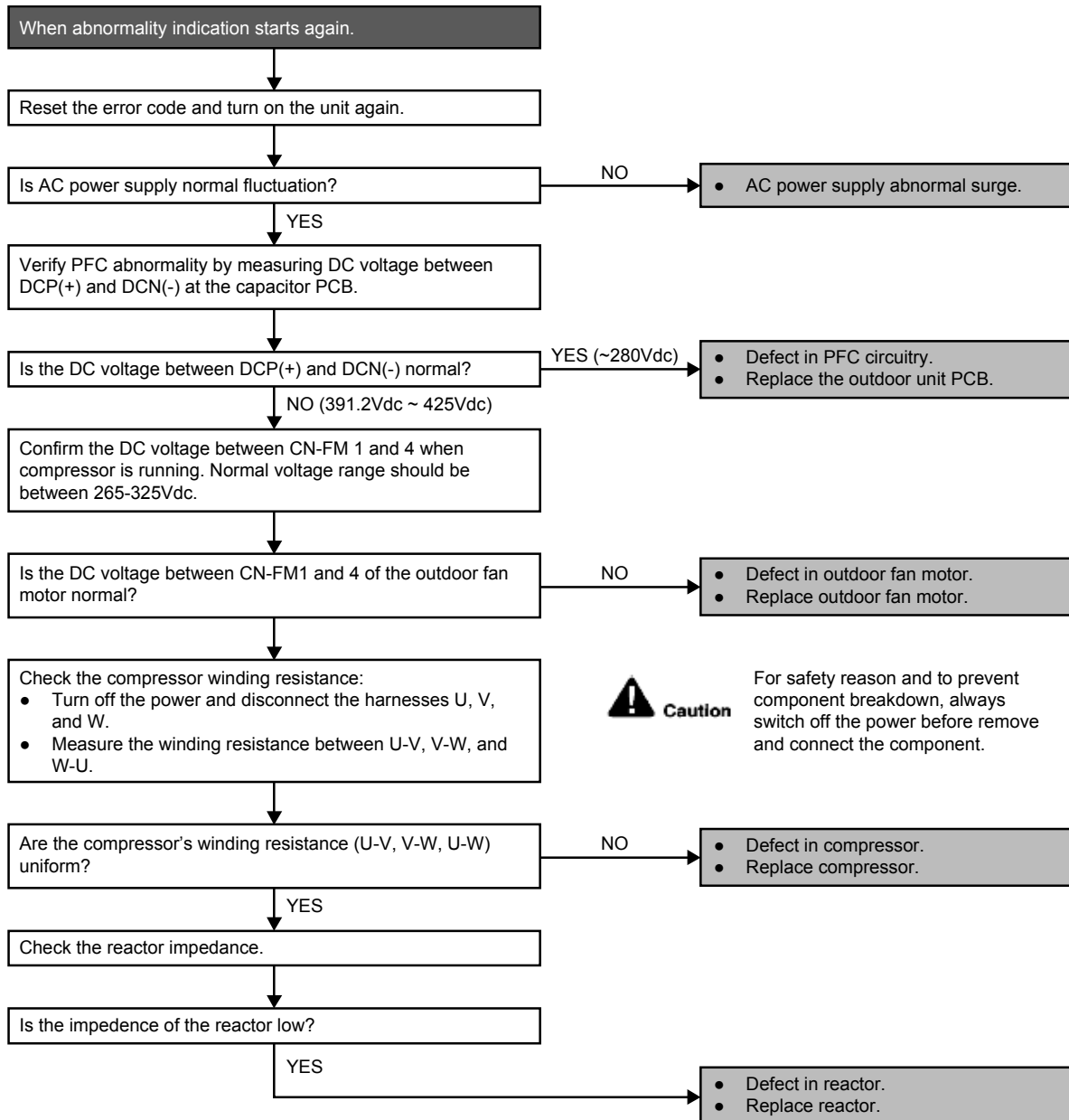
Malfunction Decision Conditions

- To maintain DC voltage level supply to power transistor.
- To detect high DC voltage level after rectification.

Malfunction Caused

- During startup and operation of cooling and heating, when Power Factor Correction (PFC) protection circuitry at the outdoor unit main PCB senses abnormal DC voltage level for power transistors.
- When DC voltage detected is LOW, transistor switching will turn ON by controller to push-up the DC level.
- When DC voltage detected is HIGH (391Vdc – 425Vdc), active LOW signal will send by the controller to turn OFF relay RY-C.

Troubleshooting



18.4.23 F91 (Refrigeration Cycle Abnormality)

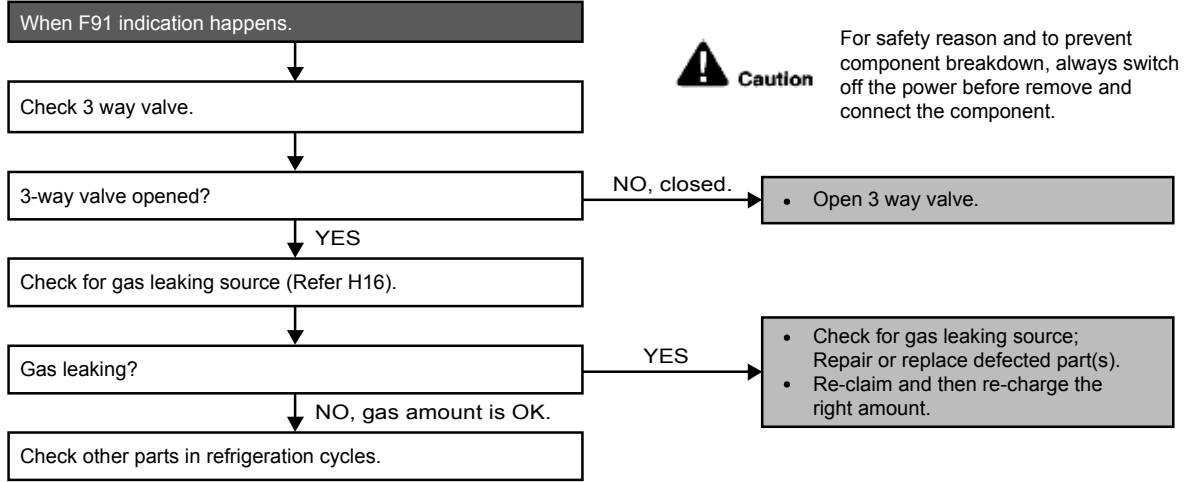
Malfunction Decision Conditions

- The input current is low while the compressor is running at higher than the setting frequency.

Malfunction Caused

- Lack of gas.
- 3-way valve close.

Troubleshooting



18.4.24 F93 (Compressor Rotation Failure)

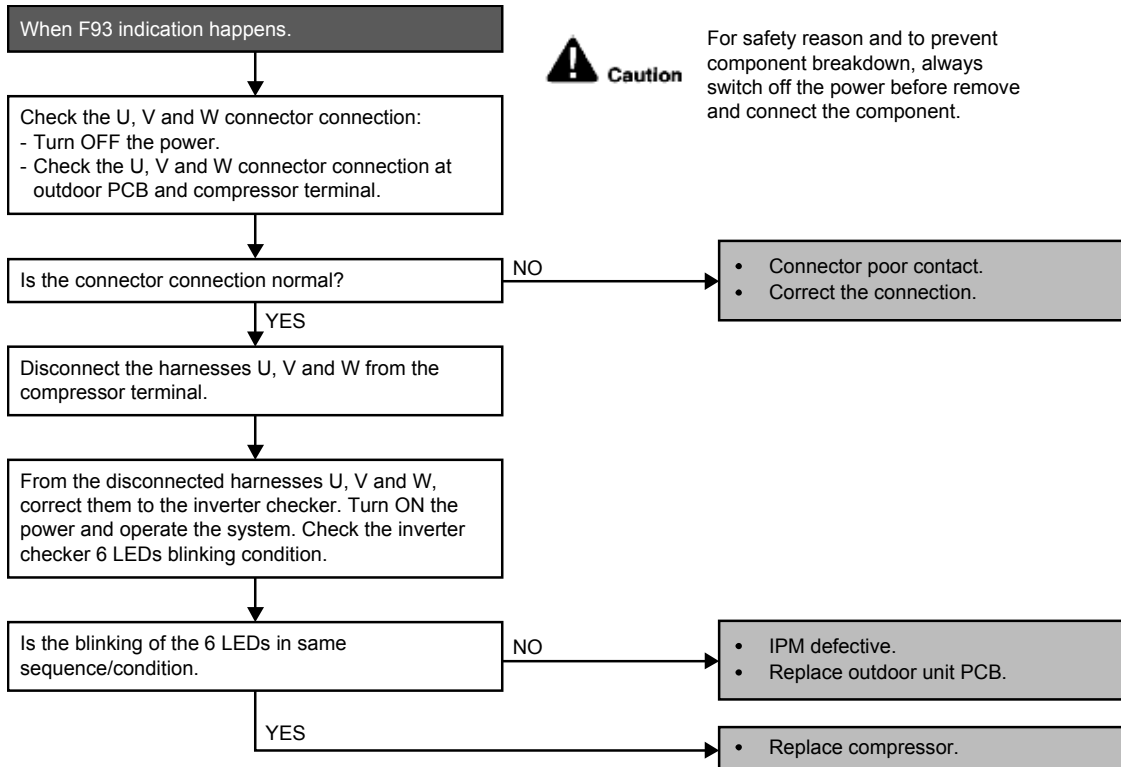
Malfunction Decision Conditions

- A compressor rotation failure is detected by checking the compressor running condition through the position detection circuit.

Malfunction Caused

- Compressor terminal disconnect.
- Faulty Outdoor PCB.
- Faulty compressor.

Troubleshooting



18.4.25 F95 (Outdoor High Pressure Protection: Cooling or Soft Dry)

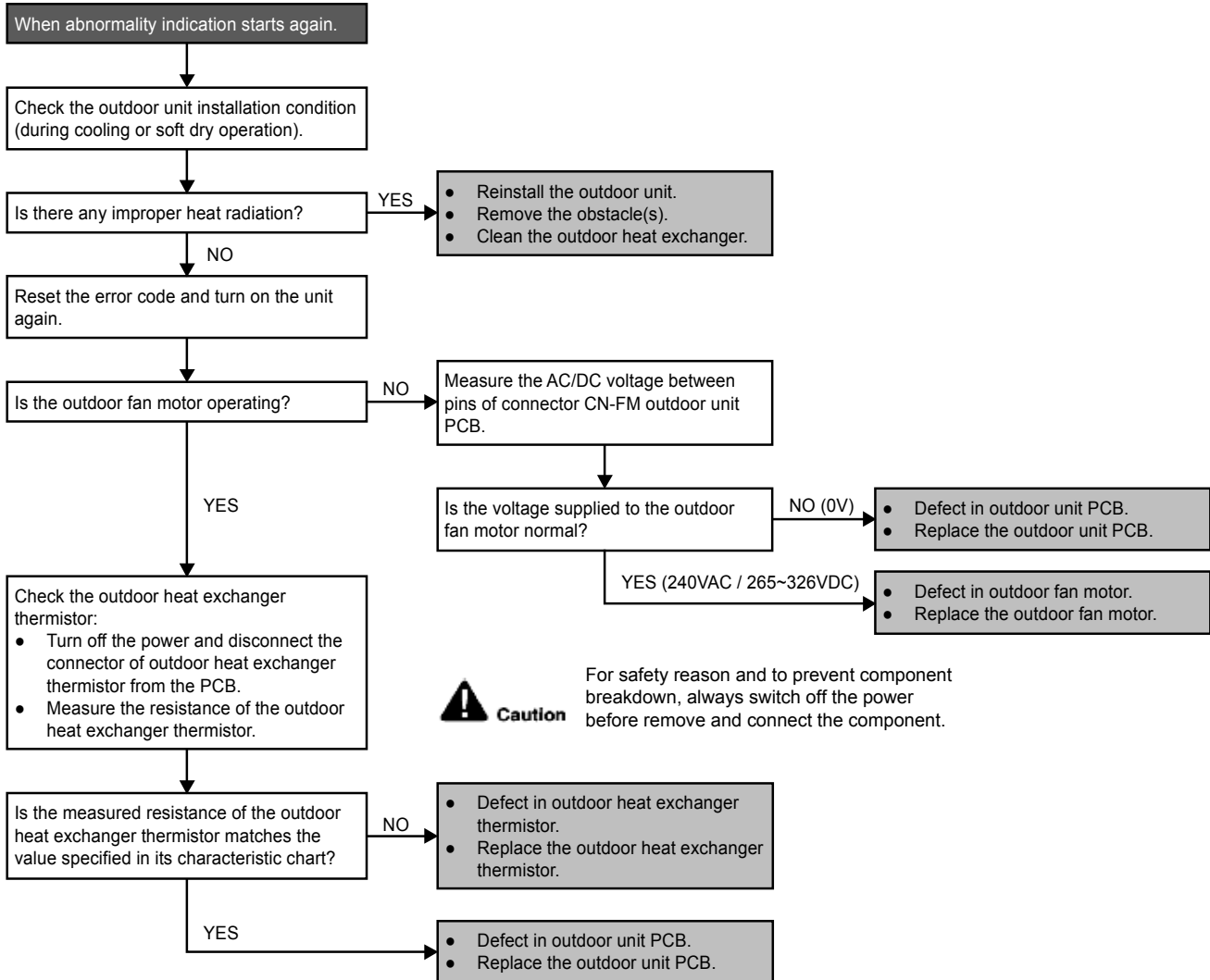
Malfunction Decision Conditions

- During operation of cooling or soft dry, when outdoor unit heat exchanger high temperature data is detected by the outdoor unit heat exchanger thermistor.

Malfunction Caused

- Outdoor heat exchanger temperature rise due to short-circuit of hot discharge air flow.
- Outdoor heat exchanger temperature rise due to defective of outdoor fan motor.
- Outdoor heat exchanger temperature rise due to defective outdoor heat exchanger thermistor.
- Outdoor heat exchanger temperature rise due to defective of outdoor unit PCB.

Troubleshooting



18.4.26 F96 (IPM Overheating)

Malfunction Decision Conditions

- During operating of cooling and heating, when IPM temperature data (212°F) is detected by the IPM temperature sensor.

Multi Models only

- Compressor Overheating: During operation of cooling and heating, when the compressor OL is activated.
- Heat Sink Overheating: During operation of cooling and heating, when heat sink temperature data (194°F) is detected by the heat sink temperature sensor.

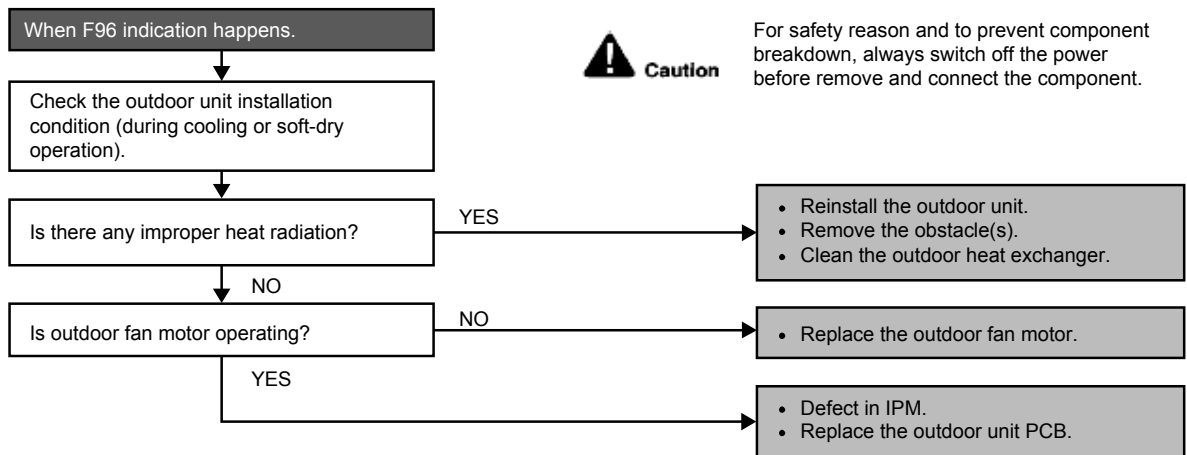
Malfunction Caused

- IPM overheats due to short circuit of hot discharge air flow.
- IPM overheats due to defective of outdoor fan motor.
- IPM overheats due to defective of internal circuitry of IPM.
- IPM overheats due to defective IPM temperature sensor.

Multi Models Only

- Compressor OL connector poor contact.
- Compressor OL faulty.

Troubleshooting



18.4.27 F97 (Compress or Overheating)

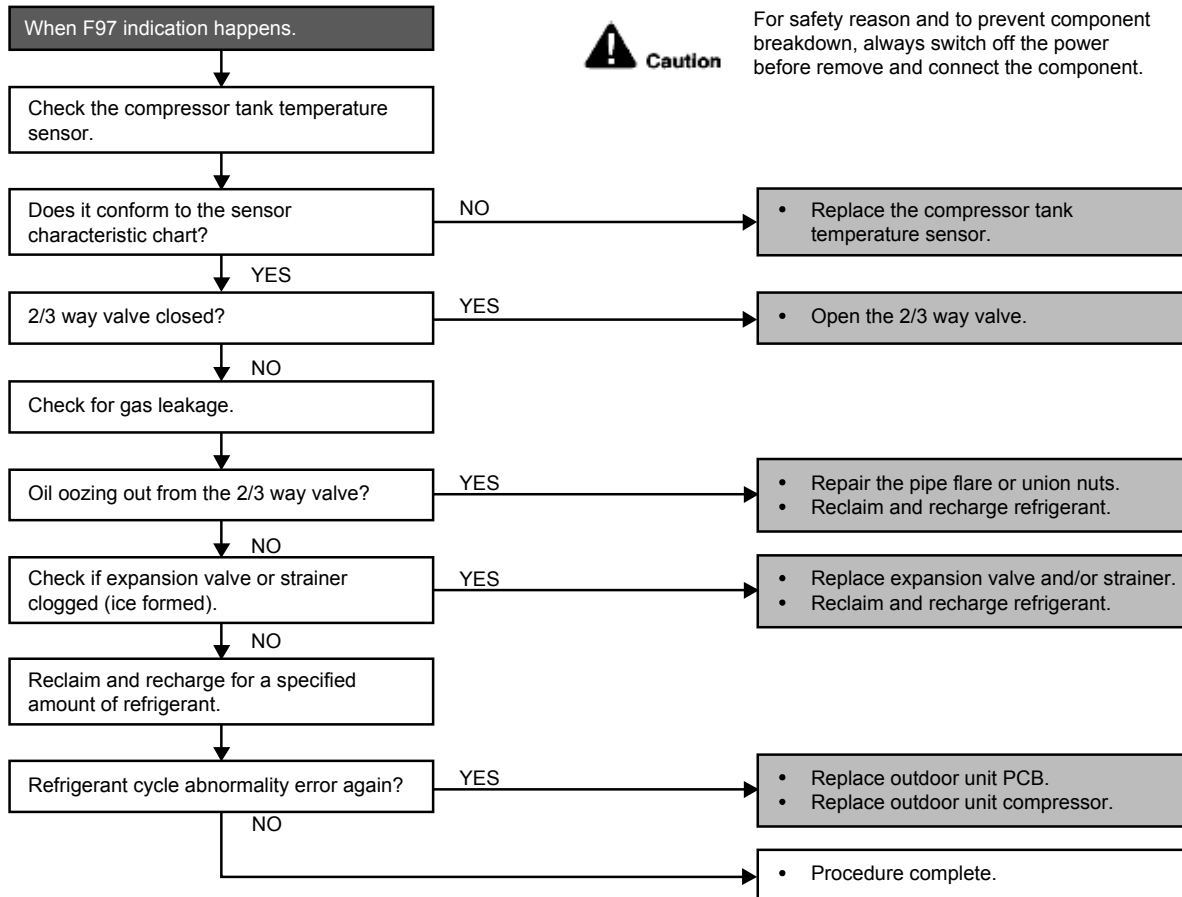
Malfunction Decision Conditions

- During operation of cooling and heating, when compressor tank temperature data (233.6°F) is detected by the compressor tank temperature sensor.

Malfunction Caused

- Faulty compressor tank temperature sensor
- 2/3 way valve closed
- Refrigerant shortage (refrigerant leakage)
- Faulty outdoor unit PCB
- Faulty compressor

Troubleshooting



18.4.28 F98 (Input Over Current Detection)

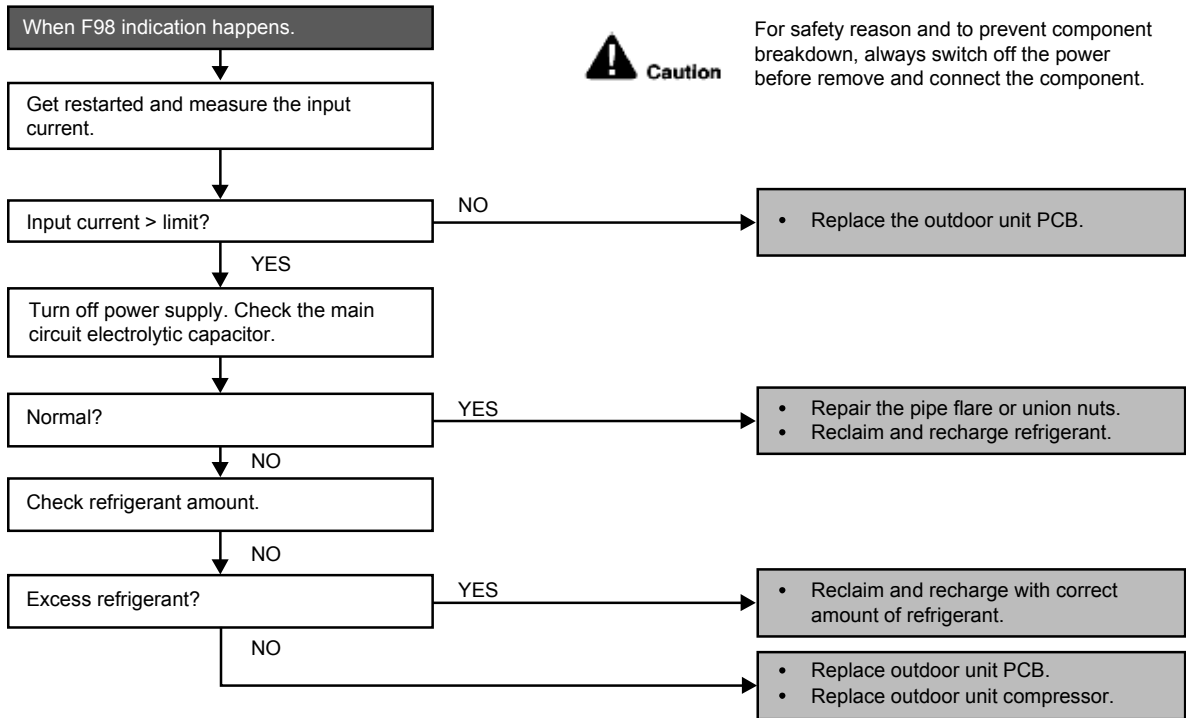
Malfunction Decision Conditions

- During operation of cooling and heating, when an input over-current (X value in Total Running Current Control) is detected by checking the input current value being detected by current transformer (CT) with the compressor running.

Malfunction Caused

- Excessive refrigerant.
- Faulty outdoor unit PCB.

Troubleshooting



18.4.29 F99 (DC Peak Detection)

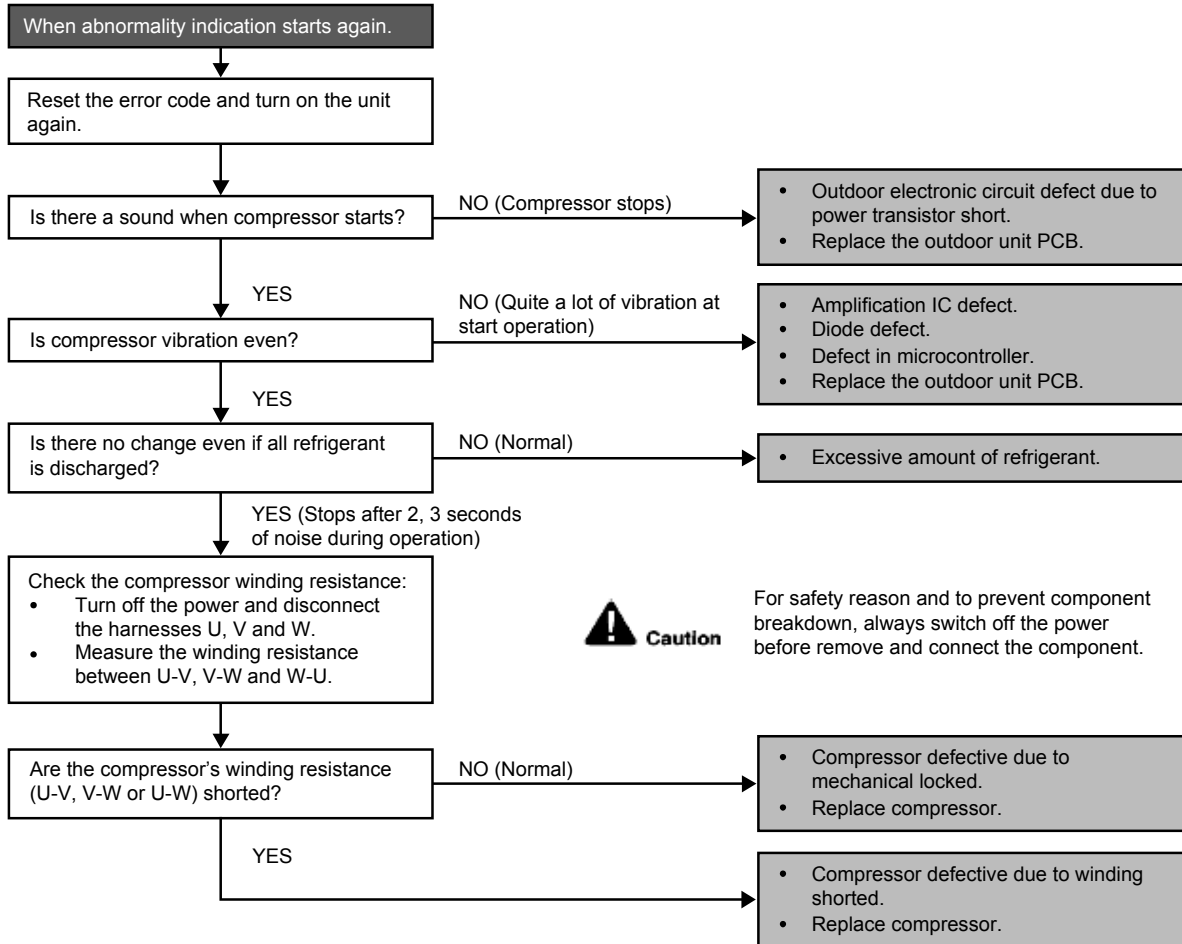
Malfunction Decision Conditions

During startup and operation of cooling and heating, when inverter DC peak data is received by the outdoor internal DC Peak sensing circuitry.

Malfunction Caused

- DC current peak due to compressor failure.
- DC current peak due to defective power transistor(s).
- DC current peak due to defective outdoor unit PCB.
- DC current peak due to short circuit.

Troubleshooting



19. Disassembly and Assembly Instructions



WARNING

High Voltage is generated in the electrical parts area by the capacitor. Ensure that the capacitor has discharged sufficiently before proceeding with repair work. Failure to heed this caution may result in electric shocks.

19.1 CS-E9RKUAW CS-E12RKUAW

19.1.1 Indoor Electronic Controllers, Cross Flow Fan and Indoor Fan Motor Removal Procedures

19.1.1.1 To remove front grille

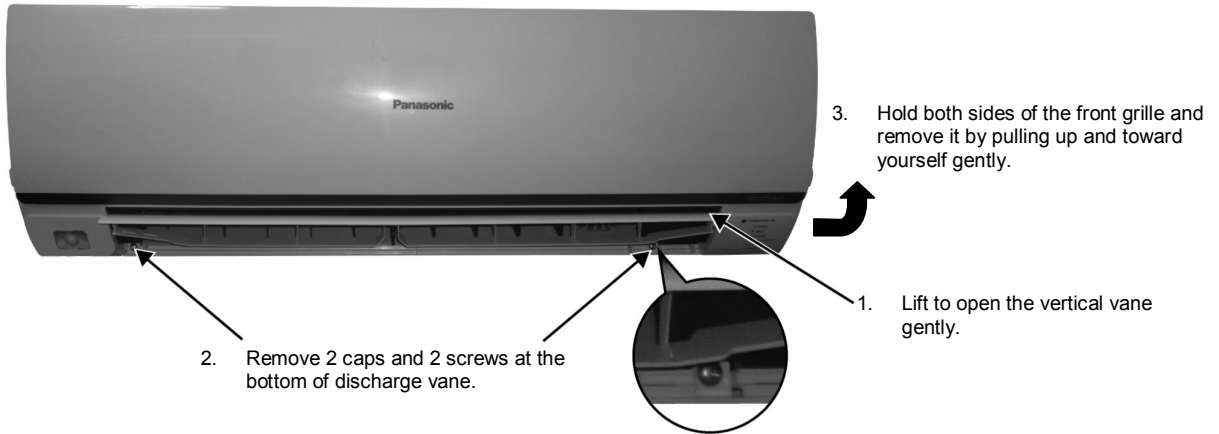


Figure 1

19.1.1.2 To remove power electronic controller

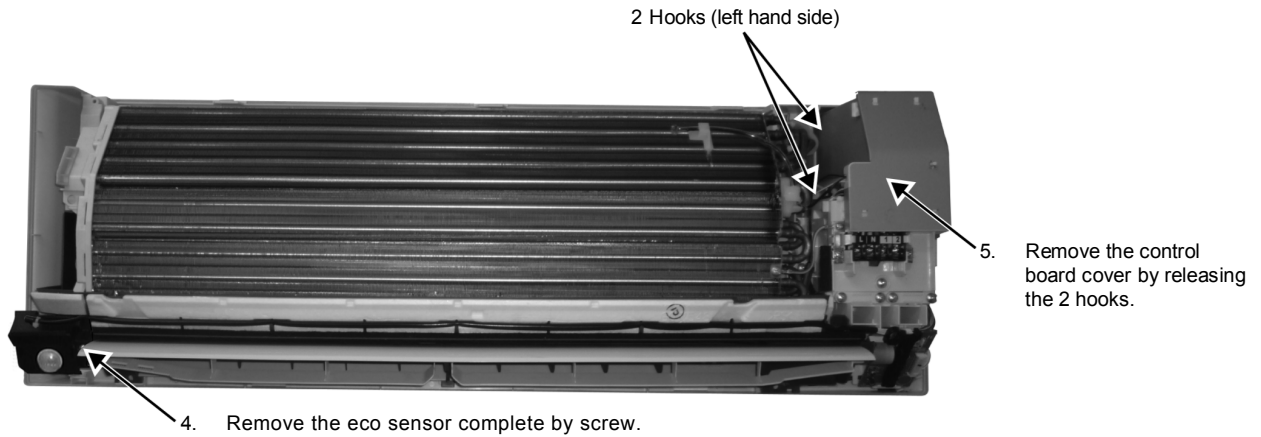


Figure 2

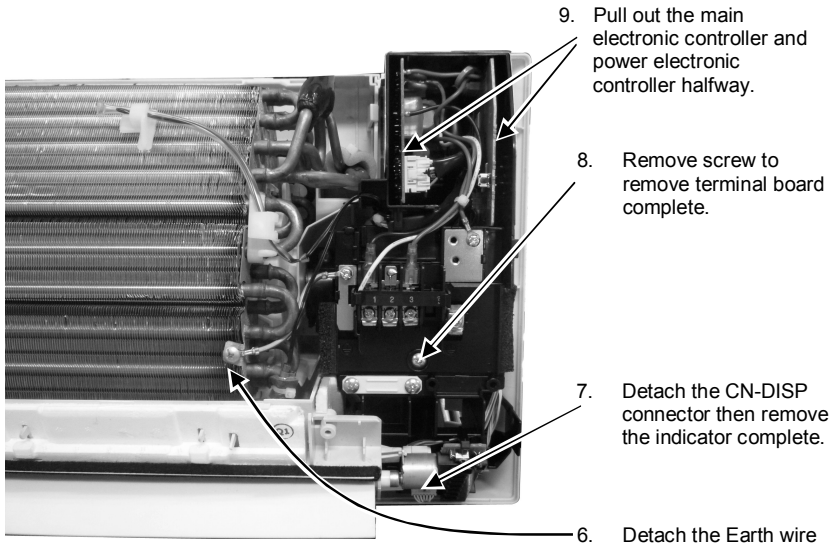


Figure 3

9. Pull out the main electronic controller and power electronic controller halfway.

8. Remove screw to remove terminal board complete.

7. Detach the CN-DISP connector then remove the indicator complete.

6. Detach the Earth wire

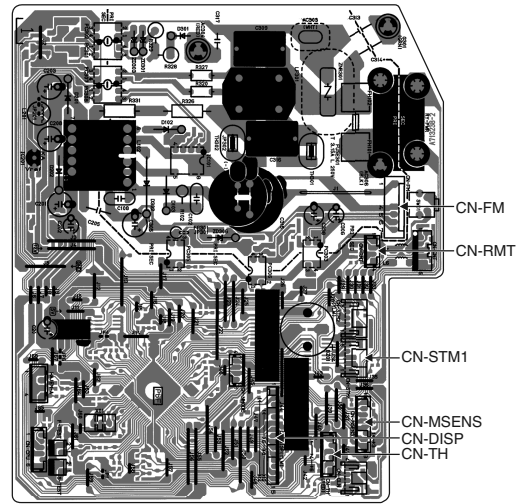


Figure 4

10. Detach 3 or 4 connectors as labeled from the electronic controller. Then pull out main controller gently

19.1.1.3 To remove discharge grille

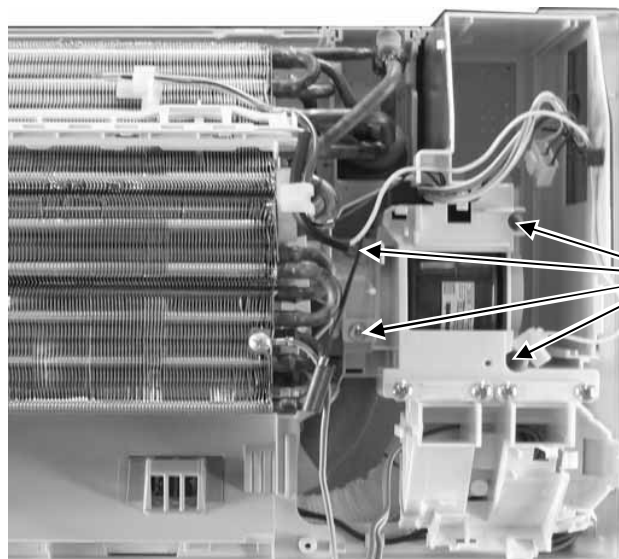


11. Pull out to remove the drain hose from the discharge grille

12. Then pull the discharge grille downward gently to dismantle it

Figure 5

19.1.1.4 To remove control board



13. Remove 4 screws holding the control board then pull out the control board.

Figure 6

19.1.1.5 To remove cross flow fan and indoor fan motor

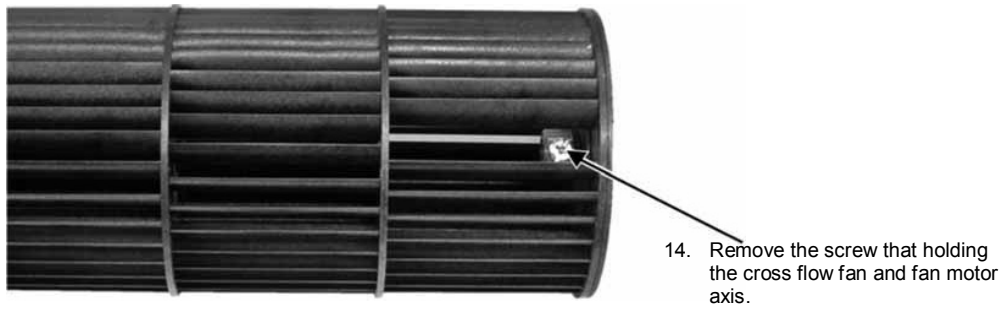


Figure 7

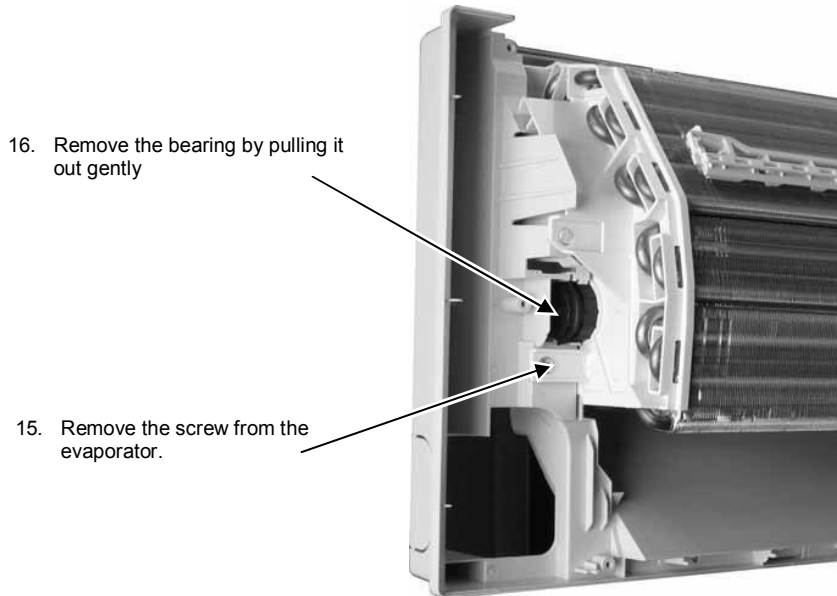


Figure 8

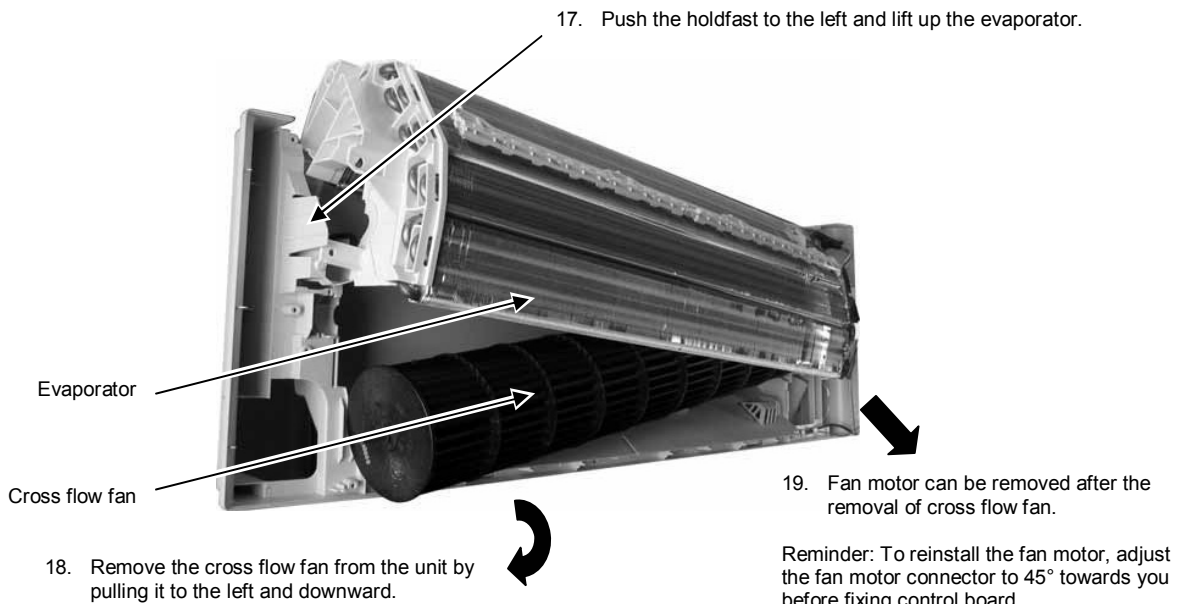
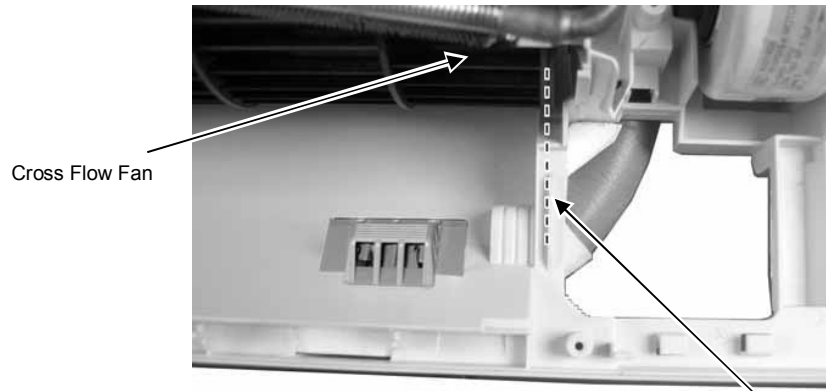


Figure 9



Cross Flow Fan

Reminder: To reinstall the cross flow fan, ensure cross flow fan is in line as shown in figure 10

Figure 10



WARNING

High Voltage is generated in the electrical parts area by the capacitor. Ensure that the capacitor has discharged sufficiently before proceeding with repair work. Failure to heed this caution may result in electric shocks.

19.2 CS-E18RKUAW CS-E24RKUAW

19.2.1 Indoor Electronic Controllers, Cross Flow Fan and Indoor Fan Motor Removal Procedures

19.2.1.1 To remove front grille

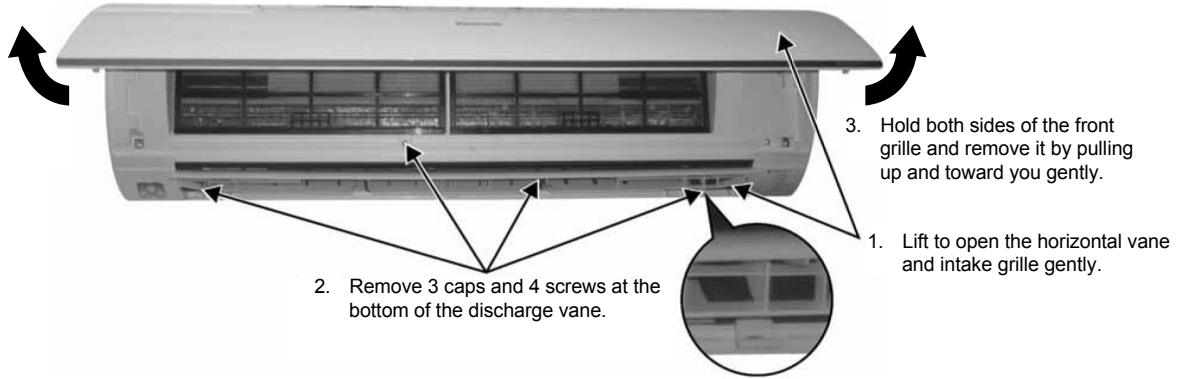


Figure 1

19.2.1.2 To remove power electronic controller

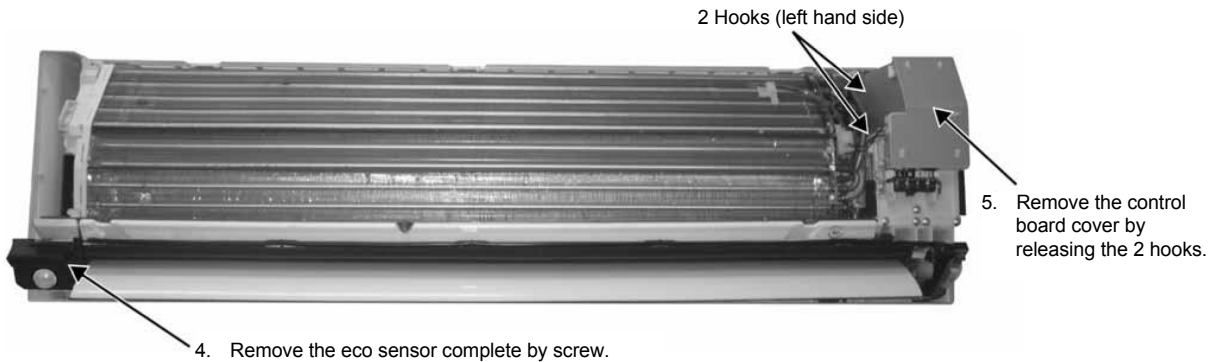


Figure 2

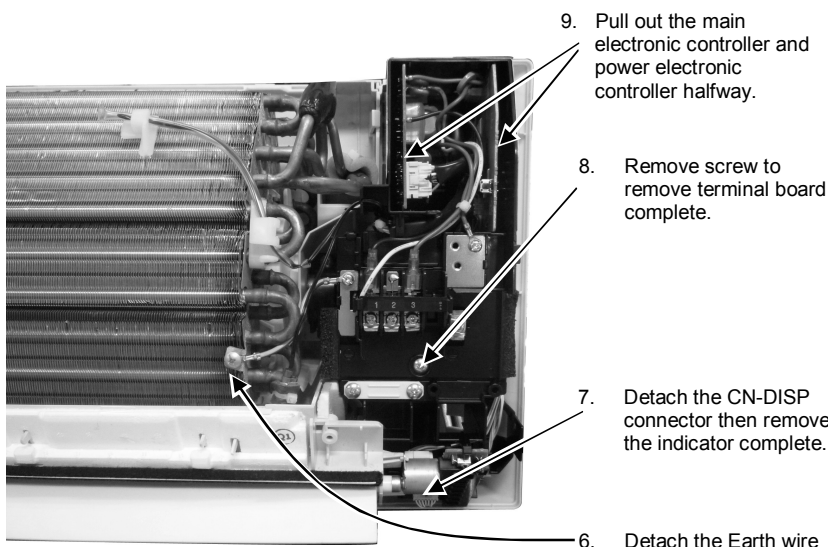


Figure 3

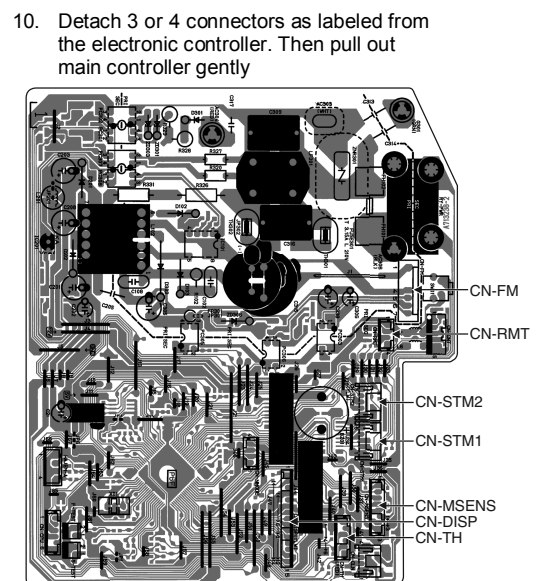


Figure 4

19.2.1.3 To remove discharge grille



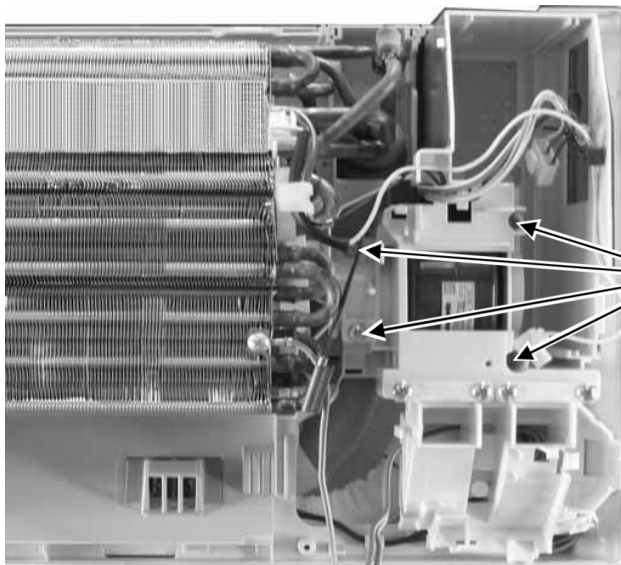
11. Pull out to remove the drain hose from the discharge grille.



12. Then pull the discharge grille downward gently to dismantle it.

Figure 5

19.2.1.4 To remove control board



13. Remove 4 screws holding the control board then pull out the control board.

Figure 6

19.2.1.5 To remove cross flow fan and indoor fan motor



14. Remove the screw that holding the cross flow fan and fan motor axis.

Figure 7

16. Remove the bearing by pulling it out gently.

15. Remove the screw from the evaporator.

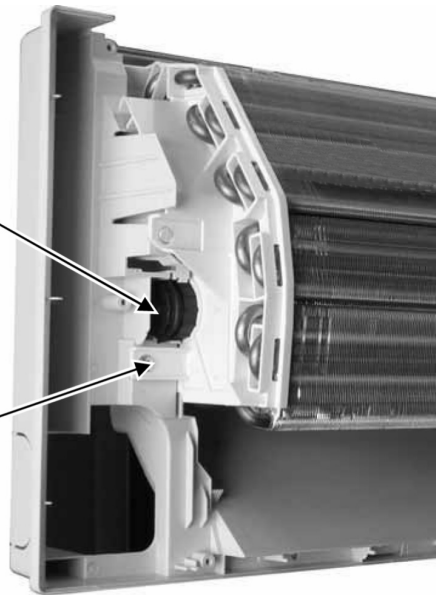
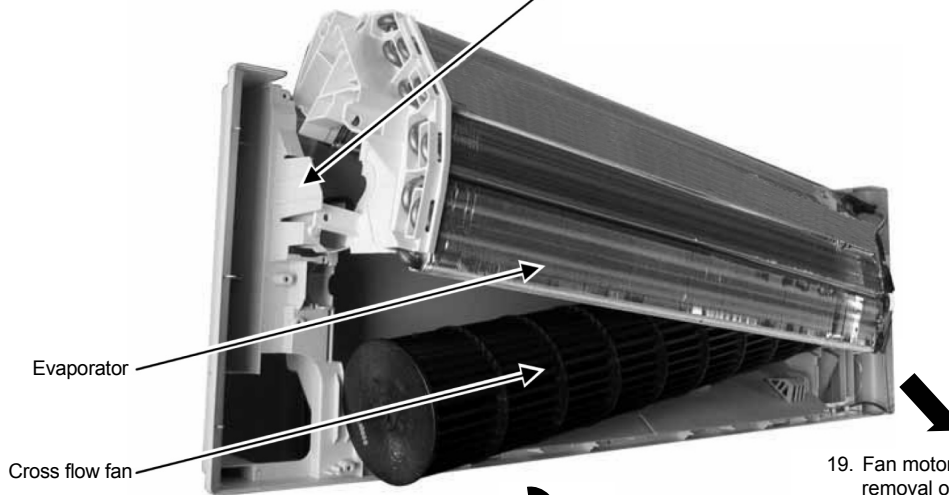


Figure 8

17. Push the holdfast to the left and lift up the evaporator.



Evaporator

Cross flow fan

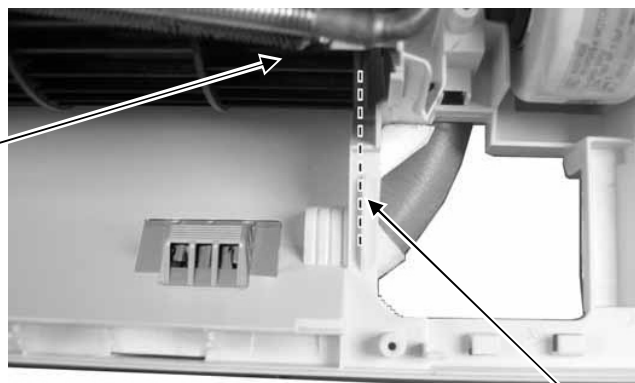
18. Remove the cross flow fan from the unit by pulling it to the left and downward.

19. Fan motor can be removed after the removal of cross flow fan.

Reminder: To reinstall the fan motor, adjust the fan motor connector to 45° towards you before fixing control board.

Figure 9

Cross Flow Fan



Reminder: To reinstall the cross flow fan, ensure cross flow fan is in line as shown in figure 10

Figure 10

19.3 Outdoor Electronic Controller Removal Procedure

19.3.1 CU-E9RKUA CU-E12RKUA

⚠ Caution! When handling electronic controller, be careful of electrostatic discharge.

1 Remove the 3 screws of the Top Panel.

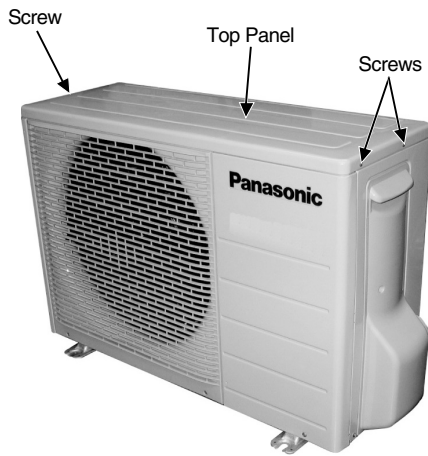


Fig. 1

2 Remove the 6 screws of the Front Panel.

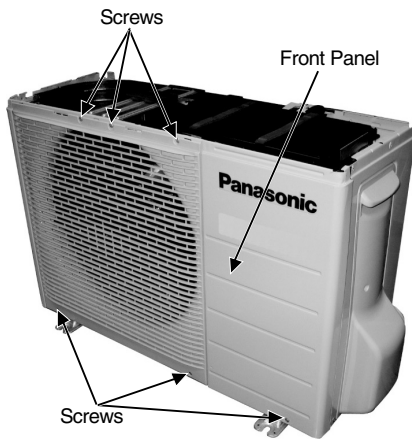


Fig. 2

3 Remove the screw of the Terminal Board Cover.

4 Remove the Top Cover of the Control Board by 4 hooks.

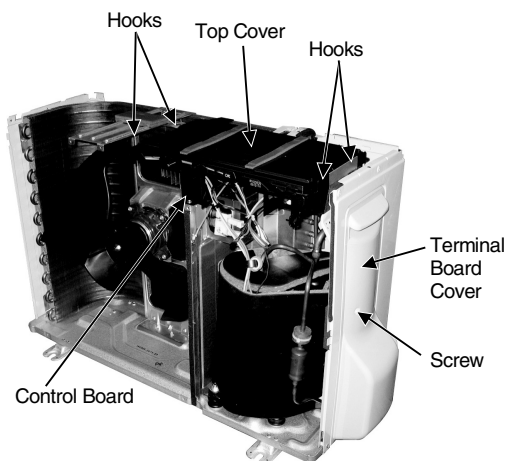


Fig. 3

5 Remove the Control Board as follows:

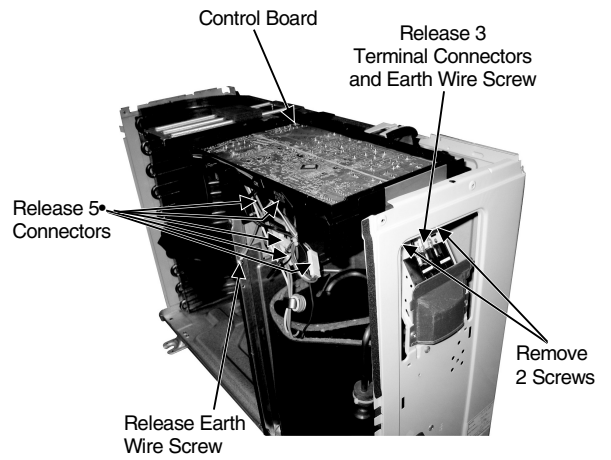


Fig. 4

Remove the Terminal Cover and 3 Terminal Compressor

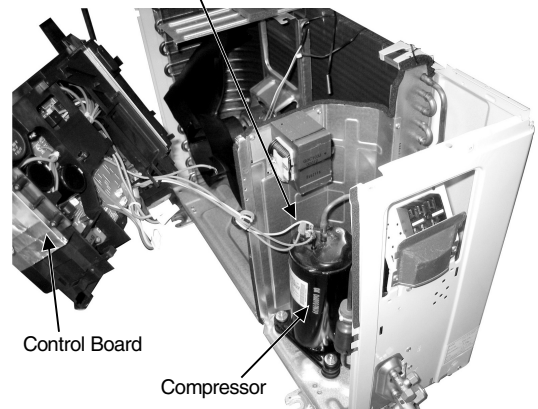


Fig. 5

Electronic Controller Control Board

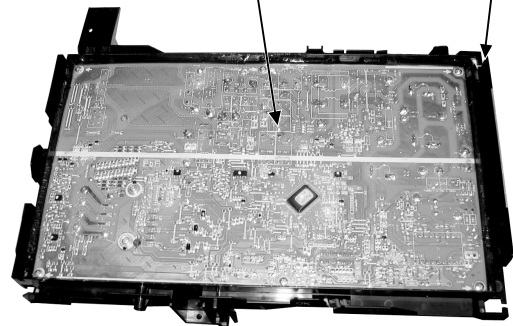


Fig. 6

19.3.2 CU-E18RKUA CU-E24RKUA

⚠ Caution! When handling electronic controller, be careful of electrostatic discharge.

- 1 Remove the 8 screws of the Top Panel.

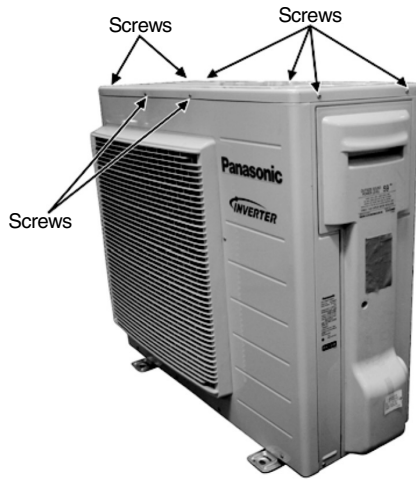


Fig. 1

- 2 Remove the 8 screws of the Front Panel.

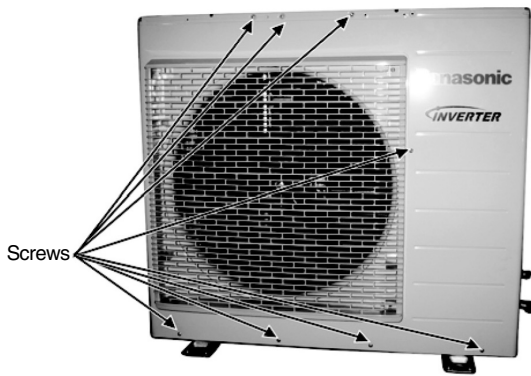


Fig. 2

- 3 Remove the Top Cover of the Electronic Controller.

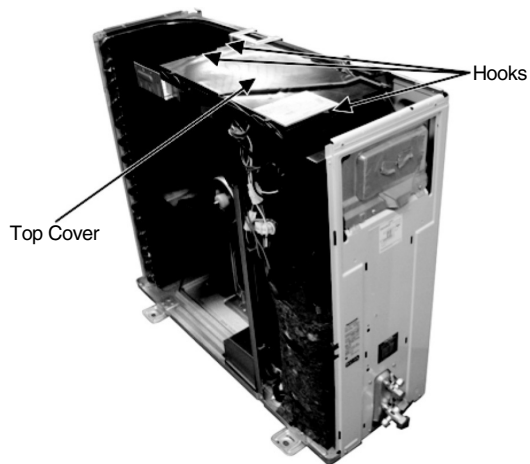


Fig. 3

- 4 Remove the Control Board.

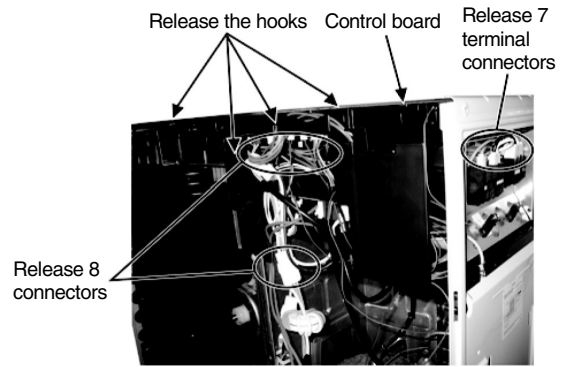


Fig. 4

- 5 Remove the 6 screws of the Electronic Controller.

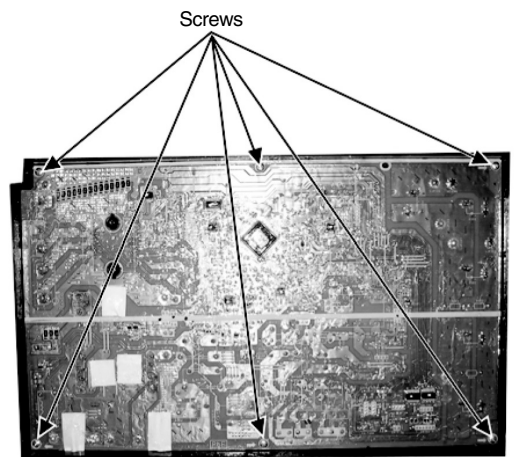


Fig. 5

⚠ Caution! When handling electronic controller, be careful of electrostatic discharge.

20. Technical Data

Technical data provided are based on the air conditioner running under free frequency.

20.1 Cool Mode Performance Data

Unit setting: Standard piping length, Hi Fan, Cool mode at 60.8°F

Voltage: 230V

20.1.1 CS-E9RKUAW CU-E9RKUA

Rated frequency (compressor speed is fixed during forced heating or cooling for capacity measurement and diagnosis purpose)

| Indoor (°C / °F) | | Outdoor (°C / °F) | | | | | | | | | | | |
|------------------|-----------|-------------------|------|-----|----------|------|-----|--------|------|-----|--------|-------|-----|
| DB | WB | -20 (-4) | | | -10 (14) | | | 0 (32) | | | 5 (41) | | |
| | | TC | SHC | IP | TC | SHC | IP | TC | SHC | IP | TC | SHC | IP |
| 27 (80.6) | 19 (66.2) | 10120 | 9156 | 508 | 10120 | 9156 | 516 | 10071 | 9237 | 504 | 10280 | 9429 | 476 |
| | 22 (71.6) | 10694 | 6508 | 540 | 10694 | 6508 | 549 | 10760 | 6603 | 517 | 11617 | 7015 | 386 |
| 23 (73.4) | 16 (60.8) | 9471 | 9376 | 485 | 9471 | 9376 | 493 | 9153 | 9062 | 527 | 10369 | 10265 | 424 |
| | 18 (64.4) | 9962 | 6484 | 498 | 9962 | 6484 | 506 | 9648 | 6373 | 530 | 10193 | 6706 | 447 |
| 20 (68) | 13 (55.4) | 8999 | 8909 | 525 | 8999 | 8909 | 534 | 8679 | 8592 | 547 | 7954 | 7874 | 375 |
| | 16 (60.8) | 9274 | 6447 | 535 | 9274 | 6447 | 544 | 9299 | 6400 | 525 | 8372 | 6037 | 355 |

| Indoor (°C / °F) | | Outdoor (°C / °F) | | | | | | | | | | | |
|------------------|-----------|-------------------|------|-----|---------|------|-----|---------|------|-----|------------|------|-----|
| DB | WB | 16 (60.8) | | | 25 (77) | | | 35 (95) | | | 46 (114.8) | | |
| | | TC | SHC | IP | TC | SHC | IP | TC | SHC | IP | TC | SHC | IP |
| 27 (80.6) | 19 (66.2) | 10698 | 9191 | 422 | 9450 | 8466 | 617 | 9008 | 8558 | 690 | 7391 | 6622 | 829 |
| | 22 (71.6) | 11048 | 6569 | 420 | 10314 | 5946 | 590 | 9591 | 5942 | 678 | 8067 | 4650 | 792 |
| 23 (73.4) | 16 (60.8) | 9488 | 9393 | 473 | 8560 | 8474 | 633 | 8301 | 8218 | 699 | 6695 | 6628 | 850 |
| | 18 (64.4) | 10035 | 6503 | 456 | 9406 | 5994 | 616 | 8515 | 6133 | 690 | 7357 | 4689 | 827 |
| 20 (68) | 13 (55.4) | 7031 | 6961 | 209 | 6969 | 6899 | 478 | 7628 | 7552 | 702 | 5174 | 5122 | 642 |
| | 16 (60.8) | 8062 | 5730 | 402 | 8377 | 5865 | 630 | 7752 | 5886 | 695 | 6552 | 4588 | 847 |

20.1.2 CS-E12RKUAW CU-E12RKUA

Rated frequency (compressor speed is fixed during forced heating or cooling for capacity measurement and diagnosis purpose)

| Indoor (°C / °F) | | Outdoor (°C / °F) | | | | | | | | | | | |
|------------------|-----------|-------------------|-------|-----|----------|-------|-----|--------|-------|-----|--------|-------|-----|
| DB | WB | -20 (-4) | | | -10 (14) | | | 0 (32) | | | 5 (41) | | |
| | | TC | SHC | IP | TC | SHC | IP | TC | SHC | IP | TC | SHC | IP |
| 27 (80.6) | 19 (66.2) | 12880 | 11530 | 678 | 12880 | 11530 | 689 | 12818 | 11632 | 671 | 13084 | 11874 | 635 |
| | 22 (71.6) | 13610 | 8196 | 720 | 13610 | 8196 | 732 | 13694 | 8315 | 689 | 14785 | 8834 | 515 |
| 23 (73.4) | 16 (60.8) | 12053 | 11933 | 647 | 12053 | 11933 | 657 | 11649 | 11533 | 703 | 13196 | 13064 | 565 |
| | 18 (64.4) | 12679 | 8165 | 664 | 12679 | 8165 | 674 | 12279 | 8026 | 706 | 12972 | 8445 | 596 |
| 20 (68) | 13 (55.4) | 11453 | 11339 | 700 | 11453 | 11339 | 712 | 11046 | 10935 | 729 | 10123 | 10022 | 500 |
| | 16 (60.8) | 11803 | 8119 | 714 | 11803 | 8119 | 725 | 11834 | 8060 | 700 | 10655 | 7603 | 474 |

| Indoor (°C / °F) | | Outdoor (°C / °F) | | | | | | | | | | | |
|------------------|-----------|-------------------|-------|-----|---------|-------|-----|---------|-------|-----|------------|------|------|
| DB | WB | 16 (60.8) | | | 25 (77) | | | 35 (95) | | | 46 (114.8) | | |
| | | TC | SHC | IP | TC | SHC | IP | TC | SHC | IP | TC | SHC | IP |
| 27 (80.6) | 19 (66.2) | 13616 | 11574 | 563 | 12028 | 10662 | 823 | 11465 | 10777 | 920 | 9407 | 8843 | 1105 |
| | 22 (71.6) | 14061 | 8272 | 560 | 13126 | 7487 | 786 | 12206 | 7483 | 904 | 10016 | 6140 | 1086 |
| 23 (73.4) | 16 (60.8) | 12075 | 11954 | 631 | 10894 | 10785 | 844 | 10565 | 10459 | 932 | 8669 | 8582 | 1120 |
| | 18 (64.4) | 12772 | 8190 | 608 | 11971 | 7549 | 821 | 10837 | 7723 | 919 | 8892 | 6337 | 1104 |
| 20 (68) | 13 (55.4) | 8948 | 8859 | 279 | 8870 | 8781 | 638 | 9708 | 9611 | 935 | 7966 | 7886 | 1123 |
| | 16 (60.8) | 10260 | 7216 | 536 | 10662 | 7386 | 841 | 9867 | 7413 | 926 | 8096 | 6082 | 1113 |

20.1.3 CS-E18RKUAW CU-E18RKUA

Rated frequency (compressor speed is fixed during forced heating or cooling for capacity measurement and diagnosis purpose)

| Indoor (°C / °F) | | Outdoor (°C / °F) | | | | | | | | | | | |
|------------------|-----------|-------------------|-------|------|----------|-------|------|--------|-------|-----|--------|-------|-----|
| DB | WB | -20 (-4) | | | -10 (14) | | | 0 (32) | | | 5 (41) | | |
| | | TC | SHC | IP | TC | SHC | IP | TC | SHC | IP | TC | SHC | IP |
| 27 (80.6) | 19 (66.2) | 21188 | 17930 | 935 | 21167 | 17913 | 924 | 21141 | 18234 | 896 | 21082 | 17831 | 888 |
| | 22 (71.6) | 24306 | 14656 | 817 | 24282 | 14641 | 807 | 23146 | 14323 | 936 | 21589 | 13429 | 934 |
| 23 (73.4) | 16 (60.8) | 18646 | 18460 | 1032 | 18628 | 18442 | 1019 | 19803 | 19605 | 849 | 18879 | 18690 | 941 |
| | 18 (64.4) | 20846 | 13794 | 945 | 20825 | 13780 | 933 | 23204 | 14860 | 739 | 21619 | 13003 | 982 |
| 20 (68) | 13 (55.4) | 16414 | 16250 | 1024 | 16398 | 16234 | 1011 | 16292 | 16129 | 672 | 15704 | 15547 | 803 |
| | 16 (60.8) | 16372 | 12160 | 1182 | 16356 | 12148 | 1168 | 17139 | 12557 | 699 | 18527 | 13408 | 689 |

| Indoor (°C / °F) | | Outdoor (°C / °F) | | | | | | | | | | | |
|------------------|-----------|-------------------|-------|------|---------|-------|------|---------|-------|------|------------|-------|------|
| DB | WB | 16 (60.8) | | | 25 (77) | | | 35 (95) | | | 46 (114.8) | | |
| | | TC | SHC | IP | TC | SHC | IP | TC | SHC | IP | TC | SHC | IP |
| 27 (80.6) | 19 (66.2) | 21000 | 18063 | 876 | 18377 | 16061 | 1195 | 17197 | 15993 | 1300 | 11804 | 10978 | 1169 |
| | 22 (71.6) | 21726 | 14368 | 879 | 19983 | 12710 | 1208 | 18977 | 9991 | 1317 | 13026 | 6858 | 1184 |
| 23 (73.4) | 16 (60.8) | 19472 | 19278 | 876 | 17002 | 16832 | 1172 | 15737 | 15580 | 1373 | 10802 | 10694 | 1234 |
| | 18 (64.4) | 21253 | 13726 | 878 | 18690 | 12233 | 1185 | 17325 | 11865 | 1398 | 11892 | 8144 | 1257 |
| 20 (68) | 13 (55.4) | 17023 | 16853 | 734 | 15925 | 15765 | 1171 | 14512 | 14366 | 1349 | 9961 | 9861 | 1212 |
| | 16 (60.8) | 19378 | 15270 | 1189 | 19083 | 13310 | 1503 | 16210 | 6590 | 1469 | 11126 | 4523 | 1321 |

20.1.4 CS-E24RKUAW CU-E24RKUA

Rated frequency (compressor speed is fixed during forced heating or cooling for capacity measurement and diagnosis purpose)

| Indoor (°C / °F) | | Outdoor (°C / °F) | | | | | | | | | | | |
|------------------|-----------|-------------------|-------|------|----------|-------|------|--------|-------|------|--------|-------|------|
| DB | WB | -20 (-4) | | | -10 (14) | | | 0 (32) | | | 5 (41) | | |
| | | TC | SHC | IP | TC | SHC | IP | TC | SHC | IP | TC | SHC | IP |
| 27 (80.6) | 19 (66.2) | 29512 | 24706 | 1691 | 29483 | 24681 | 1670 | 29446 | 25124 | 1621 | 29365 | 24568 | 1606 |
| | 22 (71.6) | 33855 | 20194 | 1477 | 33821 | 20174 | 1459 | 32240 | 19735 | 1692 | 30071 | 18504 | 1688 |
| 23 (73.4) | 16 (60.8) | 25972 | 25712 | 1866 | 25946 | 25686 | 1843 | 27583 | 27307 | 1534 | 26296 | 26033 | 1701 |
| | 18 (64.4) | 29036 | 19007 | 1708 | 29006 | 18988 | 1687 | 31474 | 20475 | 1335 | 30112 | 17917 | 1775 |
| 20 (68) | 13 (55.4) | 22863 | 22634 | 1851 | 22840 | 22612 | 1828 | 22693 | 22466 | 1214 | 21873 | 21654 | 1451 |
| | 16 (60.8) | 22804 | 16755 | 2137 | 22781 | 16738 | 2111 | 23873 | 17302 | 1263 | 25806 | 18475 | 1246 |

| Indoor (°C / °F) | | Outdoor (°C / °F) | | | | | | | | | | | |
|------------------|-----------|-------------------|-------|------|---------|-------|------|---------|-------|------|------------|-------|------|
| DB | WB | 16 (60.8) | | | 25 (77) | | | 35 (95) | | | 46 (114.8) | | |
| | | TC | SHC | IP | TC | SHC | IP | TC | SHC | IP | TC | SHC | IP |
| 27 (80.6) | 19 (66.2) | 29250 | 24889 | 1584 | 25596 | 22130 | 2159 | 23953 | 22037 | 2350 | 16441 | 15126 | 2113 |
| | 22 (71.6) | 30261 | 19797 | 1589 | 27833 | 17513 | 2183 | 26432 | 13767 | 2381 | 18143 | 9449 | 2140 |
| 23 (73.4) | 16 (60.8) | 27122 | 26851 | 1584 | 23682 | 23445 | 2119 | 21920 | 21700 | 2481 | 15046 | 14895 | 2231 |
| | 18 (64.4) | 29602 | 18912 | 1588 | 26032 | 16855 | 2141 | 24131 | 16348 | 2527 | 16563 | 11221 | 2272 |
| 20 (68) | 13 (55.4) | 23711 | 23474 | 1326 | 22181 | 21959 | 2117 | 20212 | 20010 | 2438 | 13874 | 13735 | 2192 |
| | 16 (60.8) | 26991 | 21041 | 2149 | 26580 | 18340 | 2717 | 22578 | 9080 | 2655 | 15497 | 6233 | 2387 |

TC : Total capacity (BTU)

SHC: Sensible Heat Capacity (BTU)

IP: Input Power (Watt)

20.1.5 CS-E9RKUAW CU-E9RKUA

Maximum Capacity

| Indoor (°C / °F) | | Outdoor (°C / °F) | | | | | | | | | | | |
|------------------|-----------|-------------------|------|-----|----------|------|-----|--------|------|-----|--------|-------|-----|
| DB | WB | -20 (-4) | | | -10 (14) | | | 0 (32) | | | 5 (41) | | |
| | | TC | SHC | IP | TC | SHC | IP | TC | SHC | IP | TC | SHC | IP |
| 27 (80.6) | 19 (66.2) | 10120 | 8963 | 508 | 10120 | 8963 | 516 | 10073 | 9043 | 504 | 10281 | 9231 | 476 |
| | 22 (71.6) | 10694 | 6372 | 540 | 10694 | 6372 | 549 | 10758 | 6463 | 517 | 11615 | 6866 | 386 |
| 23 (73.4) | 16 (60.8) | 9472 | 9377 | 485 | 9472 | 9377 | 493 | 9155 | 9063 | 527 | 10369 | 10266 | 424 |
| | 18 (64.4) | 9963 | 6348 | 498 | 9963 | 6348 | 506 | 9646 | 6238 | 530 | 10192 | 6565 | 447 |
| 20 (68) | 13 (55.4) | 8998 | 8908 | 525 | 8998 | 8908 | 534 | 8677 | 8590 | 547 | 8268 | 8185 | 412 |
| | 16 (60.8) | 9274 | 6312 | 535 | 9274 | 6312 | 544 | 9298 | 6265 | 525 | 9046 | 6386 | 430 |

| Indoor (°C / °F) | | Outdoor (°C / °F) | | | | | | | | | | | |
|------------------|-----------|-------------------|-------|-----|---------|------|-----|---------|------|-----|------------|------|-----|
| DB | WB | 16 (60.8) | | | 25 (77) | | | 35 (95) | | | 46 (114.8) | | |
| | | TC | SHC | IP | TC | SHC | IP | TC | SHC | IP | TC | SHC | IP |
| 27 (80.6) | 19 (66.2) | 10748 | 9039 | 432 | 10739 | 9418 | 730 | 10236 | 9520 | 850 | 7391 | 6873 | 829 |
| | 22 (71.6) | 11601 | 6753 | 500 | 11301 | 6378 | 670 | 10898 | 6610 | 835 | 8066 | 4892 | 792 |
| 23 (73.4) | 16 (60.8) | 10305 | 10202 | 530 | 9830 | 9732 | 751 | 9433 | 9339 | 861 | 6695 | 6628 | 850 |
| | 18 (64.4) | 10271 | 6516 | 481 | 9963 | 6216 | 671 | 9676 | 6822 | 850 | 7609 | 5365 | 842 |
| 20 (68) | 13 (55.4) | 7725 | 7648 | 274 | 7766 | 7688 | 564 | 8668 | 8582 | 864 | 6057 | 5996 | 768 |
| | 16 (60.8) | 8766 | 6099 | 482 | 8906 | 6104 | 691 | 8809 | 6548 | 856 | 6773 | 5034 | 864 |

20.1.6 CS-E12RKUAW CU-E12RKUA

Maximum Capacity

| Indoor (°C / °F) | | Outdoor (°C / °F) | | | | | | | | | | | |
|------------------|-----------|-------------------|-------|-----|----------|-------|-----|--------|-------|-----|--------|-------|-----|
| DB | WB | -20 (-4) | | | -10 (14) | | | 0 (32) | | | 5 (41) | | |
| | | TC | SHC | IP | TC | SHC | IP | TC | SHC | IP | TC | SHC | IP |
| 27 (80.6) | 19 (66.2) | 12898 | 11300 | 688 | 12929 | 11327 | 701 | 12884 | 11443 | 682 | 13157 | 11686 | 645 |
| | 22 (71.6) | 13642 | 8041 | 734 | 13662 | 8053 | 746 | 13744 | 8168 | 699 | 14846 | 8682 | 520 |
| 23 (73.4) | 16 (60.8) | 12127 | 12005 | 659 | 12127 | 12005 | 669 | 11687 | 11570 | 721 | 13236 | 13103 | 575 |
| | 18 (64.4) | 12720 | 8018 | 676 | 12720 | 8018 | 684 | 12318 | 8677 | 718 | 13017 | 8294 | 609 |
| 20 (68) | 13 (55.4) | 11506 | 11391 | 721 | 11506 | 11391 | 723 | 11103 | 10992 | 738 | 10492 | 10387 | 534 |
| | 16 (60.8) | 11871 | 7992 | 722 | 11871 | 7992 | 735 | 11898 | 7931 | 719 | 10697 | 7470 | 480 |

| Indoor (°C / °F) | | Outdoor (°C / °F) | | | | | | | | | | | |
|------------------|-----------|-------------------|-------|-----|---------|-------|-----|---------|-------|------|------------|------|------|
| DB | WB | 16 (60.8) | | | 25 (77) | | | 35 (95) | | | 46 (114.8) | | |
| | | TC | SHC | IP | TC | SHC | IP | TC | SHC | IP | TC | SHC | IP |
| 27 (80.6) | 19 (66.2) | 13666 | 11369 | 573 | 13140 | 11400 | 945 | 13307 | 12243 | 1150 | 10079 | 9273 | 1234 |
| | 22 (71.6) | 14263 | 8212 | 574 | 14635 | 8170 | 921 | 14168 | 8500 | 1130 | 10219 | 6131 | 1165 |
| 23 (73.4) | 16 (60.8) | 12250 | 12127 | 651 | 11721 | 11603 | 960 | 12263 | 12140 | 1165 | 8721 | 8634 | 1198 |
| | 18 (64.4) | 13004 | 8161 | 628 | 12802 | 7901 | 921 | 12579 | 8774 | 1149 | 9233 | 6440 | 1198 |
| 20 (68) | 13 (55.4) | 9499 | 9404 | 305 | 9998 | 9898 | 756 | 11269 | 11156 | 1169 | 8175 | 8094 | 1254 |
| | 16 (60.8) | 10721 | 7380 | 570 | 11038 | 7484 | 919 | 11452 | 8421 | 1158 | 8384 | 6165 | 1196 |

20.1.7 CS-E18RKUAW CU-E18RKUA

Maximum Capacity

| Indoor (°C / °F) | | Outdoor (°C / °F) | | | | | | | | | | | |
|------------------|--------------|-------------------|-------|------|----------|-------|------|--------|-------|-----|--------|-------|------|
| DB | WB | -20 (-4) | | | -10 (14) | | | 0 (32) | | | 5 (41) | | |
| | | TC | SHC | IP | TC | SHC | IP | TC | SHC | IP | TC | SHC | IP |
| 27 (80.6) | 19 (66.2) | 21189 | 17546 | 935 | 21166 | 17526 | 924 | 21142 | 17843 | 896 | 21084 | 17448 | 888 |
| | 22 (71.6) | 24305 | 14340 | 817 | 24281 | 14326 | 807 | 23148 | 14016 | 936 | 21930 | 13348 | 956 |
| 23 (73.4) | 15.7 (60.26) | 18647 | 18461 | 1059 | 18627 | 18441 | 1046 | 19804 | 19606 | 871 | 19869 | 19670 | 1020 |
| | 18.4 (65.12) | 20845 | 13497 | 969 | 20824 | 13483 | 958 | 23203 | 14540 | 758 | 22131 | 13801 | 1005 |
| 20 (68) | 13.3 (55.94) | 16429 | 16265 | 1051 | 16467 | 16302 | 1038 | 16344 | 16181 | 689 | 15969 | 15809 | 855 |
| | 15.8 (60.44) | 16395 | 11915 | 1213 | 16354 | 11885 | 1198 | 17238 | 12358 | 717 | 18699 | 13241 | 735 |

| Indoor (°C / °F) | | Outdoor (°C / °F) | | | | | | | | | | | |
|------------------|--------------|-------------------|-------|------|---------|-------|------|---------|-------|------|------------|-------|------|
| DB | WB | 16 (60.8) | | | 25 (77) | | | 35 (95) | | | 46 (114.8) | | |
| | | TC | SHC | IP | TC | SHC | IP | TC | SHC | IP | TC | SHC | IP |
| 27 (80.6) | 19 (66.2) | 21002 | 17676 | 896 | 20650 | 17660 | 1395 | 19790 | 18009 | 1600 | 11803 | 10740 | 1169 |
| | 22 (71.6) | 22971 | 14257 | 972 | 22493 | 13999 | 1415 | 21839 | 11251 | 1621 | 13024 | 6710 | 1184 |
| 23 (73.4) | 15.7 (60.26) | 20101 | 19900 | 945 | 18876 | 18687 | 1358 | 18110 | 17929 | 1689 | 10803 | 10695 | 1234 |
| | 18.4 (65.12) | 21595 | 13647 | 921 | 20343 | 13029 | 1341 | 19937 | 13360 | 1720 | 12014 | 8051 | 1290 |
| 20 (68) | 13.3 (55.94) | 17252 | 17079 | 785 | 17043 | 16872 | 1301 | 16700 | 16533 | 1660 | 10107 | 10006 | 1268 |
| | 15.8 (60.44) | 21220 | 13940 | 1340 | 20423 | 13938 | 1682 | 18654 | 7421 | 1808 | 11332 | 4508 | 1387 |

20.1.8 CS-E24RKUAW CU-E24RKUA

Maximum Capacity

| Indoor (°C / °F) | | Outdoor (°C / °F) | | | | | | | | | | | |
|------------------|--------------|-------------------|-------|------|----------|-------|------|--------|-------|------|--------|-------|------|
| DB | WB | -20 (-4) | | | -10 (14) | | | 0 (32) | | | 5 (41) | | |
| | | TC | SHC | IP | TC | SHC | IP | TC | SHC | IP | TC | SHC | IP |
| 27 (80.6) | 19 (66.2) | 29529 | 24182 | 1698 | 29508 | 24166 | 1681 | 29484 | 24610 | 1631 | 29396 | 24059 | 1621 |
| | 22 (71.6) | 33889 | 19776 | 1510 | 33886 | 19774 | 1511 | 32286 | 19334 | 1699 | 30549 | 18389 | 1756 |
| 23 (73.4) | 15.7 (60.26) | 26041 | 25781 | 1886 | 26014 | 25754 | 1858 | 27645 | 27369 | 1559 | 26693 | 26426 | 1721 |
| | 18.4 (65.12) | 29126 | 18651 | 1721 | 29109 | 18640 | 1721 | 31678 | 19633 | 1374 | 30211 | 18633 | 1801 |
| 20 (68) | 13.3 (55.94) | 22981 | 22751 | 1883 | 22967 | 22737 | 1856 | 22865 | 22636 | 1264 | 22118 | 21896 | 1498 |
| | 15.8 (60.44) | 22865 | 16434 | 2158 | 22899 | 16459 | 2164 | 24103 | 17090 | 1301 | 25973 | 18190 | 1358 |

| Indoor (°C / °F) | | Outdoor (°C / °F) | | | | | | | | | | | |
|------------------|--------------|-------------------|-------|------|---------|-------|------|---------|-------|------|------------|-------|------|
| DB | WB | 16 (60.8) | | | 25 (77) | | | 35 (95) | | | 46 (114.8) | | |
| | | TC | SHC | IP | TC | SHC | IP | TC | SHC | IP | TC | SHC | IP |
| 27 (80.6) | 19 (66.2) | 29283 | 24375 | 1591 | 28181 | 23835 | 2541 | 27297 | 24567 | 2720 | 16457 | 14811 | 2126 |
| | 22 (71.6) | 30371 | 18644 | 1618 | 30348 | 18680 | 2481 | 30122 | 15347 | 2756 | 18200 | 9273 | 2180 |
| 23 (73.4) | 15.7 (60.26) | 27338 | 27065 | 1654 | 26106 | 25845 | 2431 | 24980 | 24730 | 2872 | 15205 | 15052 | 2275 |
| | 18.4 (65.12) | 29757 | 18598 | 1611 | 27928 | 17690 | 2464 | 27499 | 18225 | 2924 | 16904 | 11203 | 2321 |
| 20 (68) | 13.3 (55.94) | 23957 | 23717 | 1336 | 23626 | 23389 | 2400 | 23034 | 22804 | 2822 | 14061 | 13921 | 2212 |
| | 15.8 (60.44) | 29269 | 19017 | 2451 | 28170 | 19014 | 3000 | 25730 | 10123 | 3074 | 15553 | 6119 | 2421 |

TC : Total capacity (BTU)

SHC: Sensible Heat Capacity (BTU)

IP: Input Power (Watt)

20.2 Heat Mode Performance Data

Unit setting: Standard piping length, Hi Fan, Heat mode at 86°F
Voltage: 230V

20.2.1 CS-E9RKUAW CU-E9RKUA

Rated frequency (compressor speed is fixed during forced heating or cooling for capacity measurement and diagnosis purpose)

| Indoor (°C / °F) | Outdoor (°C / °F) | | | | | | | | | | | |
|------------------|-------------------|-----|--------------|------|-------------|------|-------------|------|-----------|------|--------------|------|
| | -20 (-4) | | -8.3 (17.06) | | 1.7 (35.06) | | 8.3 (46.94) | | 12 (53.6) | | 23.9 (75.02) | |
| DB | TC | IP | TC | IP | TC | IP | TC | IP | TC | IP | TC | IP |
| 24 (75.2) | 4364 | 747 | 8712 | 1039 | 11021 | 1128 | 12059 | 1129 | 12375 | 1149 | 13471 | 1114 |
| 20 (68) | 4598 | 736 | 9315 | 1035 | 11336 | 1106 | 12011 | 1120 | 12253 | 1124 | 14239 | 1089 |
| 16 (60.8) | 3711 | 718 | 9571 | 1024 | 12262 | 1116 | 12890 | 1149 | 12988 | 1104 | 13891 | 1071 |

20.2.2 CS-E12RKUAW CU-E12RKUA

Rated frequency (compressor speed is fixed during forced heating or cooling for capacity measurement and diagnosis purpose)

| Indoor (°C / °F) | Outdoor (°C / °F) | | | | | | | | | | | |
|------------------|-------------------|-----|--------------|------|-------------|------|-------------|------|-----------|------|--------------|------|
| | -20 (-4) | | -8.3 (17.06) | | 1.7 (35.06) | | 8.3 (46.94) | | 12 (53.6) | | 23.9 (75.02) | |
| DB | TC | IP | TC | IP | TC | IP | TC | IP | TC | IP | TC | IP |
| 24 (75.2) | 5021 | 833 | 10024 | 1159 | 12681 | 1259 | 13875 | 1260 | 13337 | 1282 | 15499 | 1243 |
| 20 (68) | 5290 | 822 | 10717 | 1155 | 13043 | 1235 | 13819 | 1250 | 14098 | 1254 | 16383 | 1216 |
| 16 (60.8) | 4270 | 802 | 11012 | 1143 | 14108 | 1245 | 14831 | 1283 | 13753 | 1233 | 15983 | 1195 |

20.2.3 CS-E18RKUAW CU-E18RKUA

Rated frequency (compressor speed is fixed during forced heating or cooling for capacity measurement and diagnosis purpose)

| Indoor (°C / °F) | Outdoor (°C / °F) | | | | | | | | | | | |
|------------------|-------------------|------|--------------|------|-------------|------|-------------|------|-----------|------|--------------|------|
| | -20 (-4) | | -8.3 (17.06) | | 1.7 (35.06) | | 8.3 (46.94) | | 12 (53.6) | | 23.9 (75.02) | |
| DB | TC | IP | TC | IP | TC | IP | TC | IP | TC | IP | TC | IP |
| 24 (75.2) | 6715 | 1213 | 12572 | 1615 | 16051 | 1628 | 21041 | 1850 | 21969 | 1839 | 23675 | 1767 |
| 20 (68) | 6913 | 1169 | 12610 | 1554 | 16284 | 1561 | 21599 | 1750 | 22844 | 1765 | 24618 | 1695 |
| 16 (60.8) | 6455 | 1117 | 12720 | 1485 | 16459 | 1495 | 22135 | 1654 | 23456 | 1671 | 25278 | 1605 |

20.2.4 CS-E24RKUAW CU-E24RKUA

Rated frequency (compressor speed is fixed during forced heating or cooling for capacity measurement and diagnosis purpose)

| Indoor (°C / °F) | Outdoor (°C / °F) | | | | | | | | | | | |
|------------------|-------------------|------|--------------|------|-------------|------|-------------|------|-----------|------|--------------|------|
| | -20 (-4) | | -8.3 (17.06) | | 1.7 (35.06) | | 8.3 (46.94) | | 12 (53.6) | | 23.9 (75.02) | |
| DB | TC | IP | TC | IP | TC | IP | TC | IP | TC | IP | TC | IP |
| 24 (75.2) | 8975 | 1733 | 16802 | 2307 | 21452 | 2326 | 28122 | 2643 | 29361 | 2628 | 31641 | 2524 |
| 20 (68) | 9239 | 1670 | 16854 | 2220 | 21764 | 2230 | 28867 | 2500 | 30530 | 2522 | 32901 | 2422 |
| 16 (60.8) | 8627 | 1596 | 17000 | 2122 | 21997 | 2136 | 29584 | 2363 | 31349 | 2388 | 33784 | 2293 |

TC : Total capacity (BTU)
IP: Input Power (Watt)

20.2.5 CS-E9RKUAW CU-E9RKUA

Maximum Capacity

| Indoor (°C / °F) | Outdoor (°C / °F) | | | | | | | | | | | |
|------------------|-------------------|------|--------------|------|-------------|------|-------------|------|-----------|------|--------------|------|
| | -20 (-4) | | -8.3 (17.06) | | 1.7 (35.06) | | 8.3 (46.94) | | 12 (53.6) | | 23.9 (75.02) | |
| DB | TC | IP | TC | IP | TC | IP | TC | IP | TC | IP | TC | IP |
| 24 (75.2) | 7056 | 1301 | 9370 | 1320 | 12234 | 1459 | 14183 | 1512 | 14534 | 1525 | 15225 | 1424 |
| 20 (68) | 7433 | 1295 | 10019 | 1315 | 12583 | 1431 | 14126 | 1500 | 14390 | 1491 | 16093 | 1393 |
| 16 (60.8) | 6000 | 1261 | 10294 | 1301 | 13611 | 1443 | 15160 | 1539 | 15253 | 1466 | 15700 | 1369 |

20.2.6 CS-E12RKUAW CU-E12RKUA

Maximum Capacity

| Indoor (°C / °F) | Outdoor (°C / °F) | | | | | | | | | | | |
|------------------|-------------------|------|--------------|------|-------------|------|-------------|------|-----------|------|--------------|------|
| | -20 (-4) | | -8.3 (17.06) | | 1.7 (35.06) | | 8.3 (46.94) | | 12 (53.6) | | 23.9 (75.02) | |
| DB | TC | IP | TC | IP | TC | IP | TC | IP | TC | IP | TC | IP |
| 24 (75.2) | 8129 | 1625 | 10796 | 1505 | 14095 | 1663 | 16342 | 1724 | 15685 | 1738 | 17541 | 1623 |
| 20 (68) | 8564 | 1664 | 11543 | 1499 | 14498 | 1631 | 16276 | 1710 | 16580 | 1700 | 18542 | 1588 |
| 16 (60.8) | 6914 | 1654 | 11861 | 1484 | 15682 | 1645 | 17468 | 1755 | 16175 | 1671 | 18089 | 1561 |

20.2.7 CS-E18RKUAW CU-E18RKUA

Maximum Capacity

| Indoor (°C / °F) | Outdoor (°C / °F) | | | | | | | | | | | |
|------------------|-------------------|------|--------------|------|-------------|------|-------------|------|-----------|------|--------------|------|
| | -20 (-4) | | -8.3 (17.06) | | 1.7 (35.06) | | 8.3 (46.94) | | 12 (53.6) | | 23.9 (75.02) | |
| DB | TC | IP | TC | IP | TC | IP | TC | IP | TC | IP | TC | IP |
| 24 (75.2) | 9834 | 1881 | 14795 | 1984 | 18316 | 1952 | 21374 | 1903 | 22308 | 1892 | 24058 | 1783 |
| 20 (68) | 10124 | 1825 | 14840 | 1910 | 18582 | 1843 | 21940 | 1800 | 23196 | 1816 | 25016 | 1711 |
| 16 (60.8) | 9454 | 1750 | 14969 | 1829 | 18782 | 1781 | 22485 | 1702 | 23818 | 1719 | 25687 | 1620 |

20.2.8 CS-E24RKUAW CU-E24RKUA

Maximum Capacity

| Indoor (°C / °F) | Outdoor (°C / °F) | | | | | | | | | | | |
|------------------|-------------------|------|--------------|------|-------------|------|-------------|------|-----------|------|--------------|------|
| | -20 (-4) | | -8.3 (17.06) | | 1.7 (35.06) | | 8.3 (46.94) | | 12 (53.6) | | 23.9 (75.02) | |
| DB | TC | IP | TC | IP | TC | IP | TC | IP | TC | IP | TC | IP |
| 24 (75.2) | 13092 | 2741 | 19696 | 2832 | 24383 | 2755 | 28454 | 2812 | 29697 | 2796 | 32027 | 2525 |
| 20 (68) | 13478 | 2641 | 19756 | 2761 | 24738 | 2650 | 29208 | 2660 | 30880 | 2683 | 33303 | 2423 |
| 16 (60.8) | 12585 | 2500 | 19928 | 2684 | 25003 | 2521 | 29933 | 2515 | 31708 | 2541 | 34196 | 2295 |

TC : Total capacity (BTU)

IP: Input Power (Watt)

21. Service Data

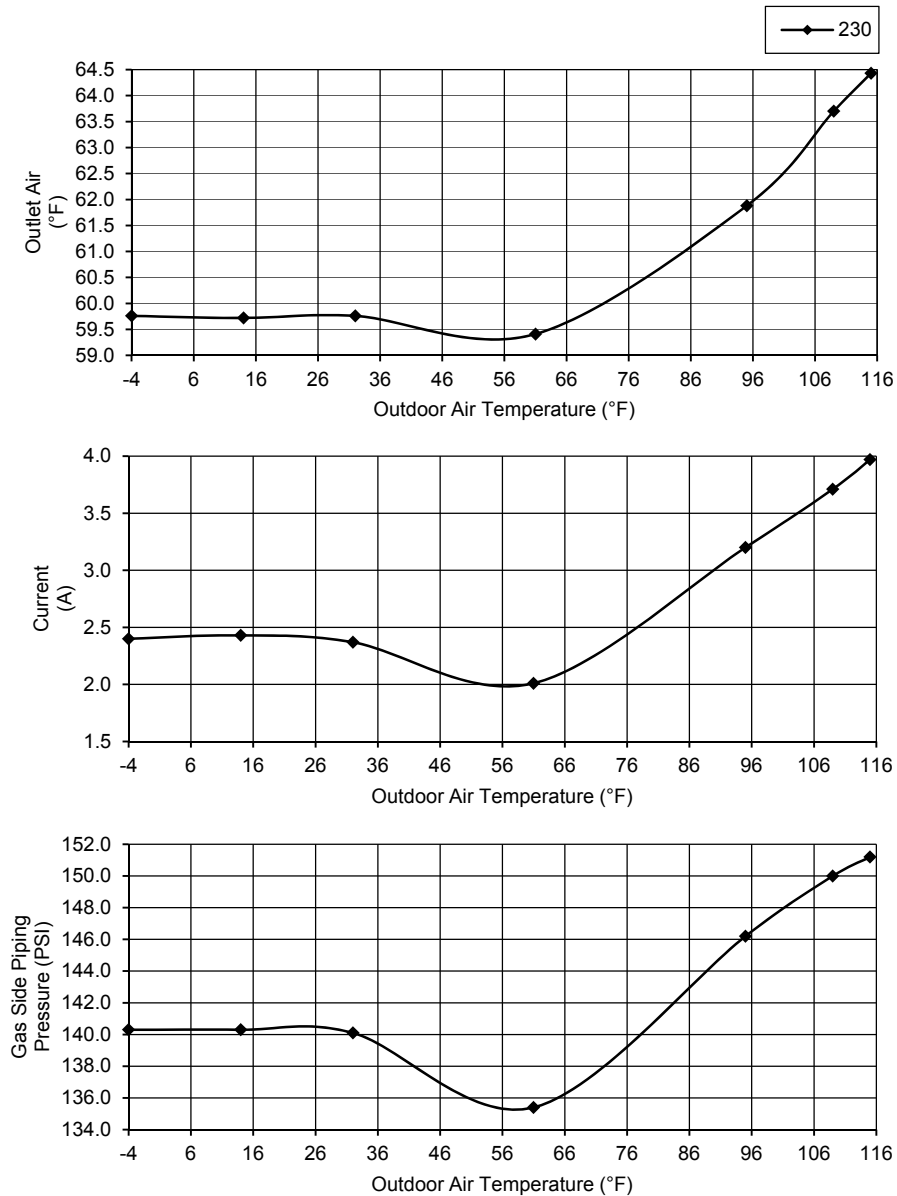
Service data provided are based on the air conditioner running under rated frequency during forced cooling / forced heating mode.

21.1 Cool Mode Outdoor Air Temperature Characteristic

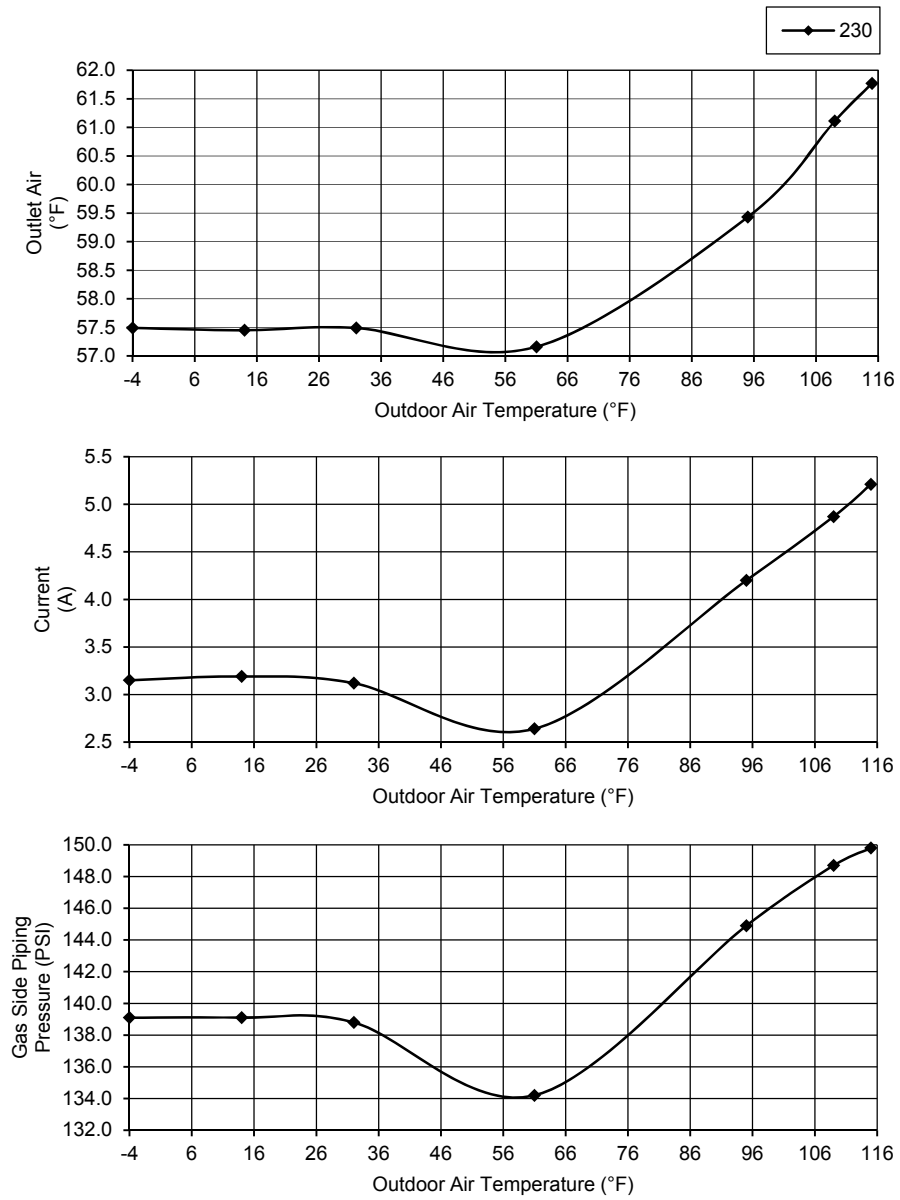
Condition

- Indoor room temperature: 80°F Dry Bulb/67°F Wet Bulb
- Unit setting: Standard piping length, forced cooling at 60.8°F, Hi fan
- Compressor frequency: Rated for cooling operation
- Piping length: 24.6ft
- Voltage: 230V

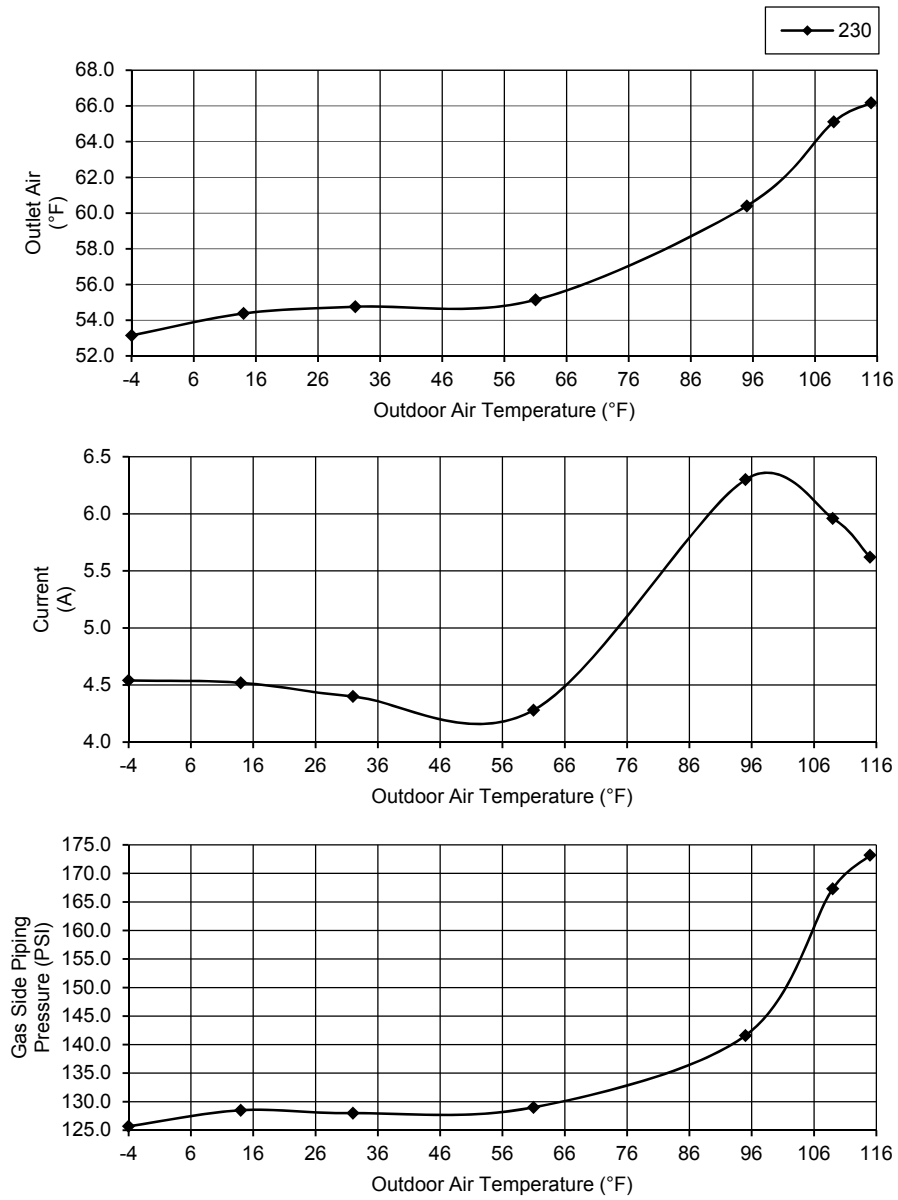
21.1.1 CS-E9RKUAW CU-E9RKUA



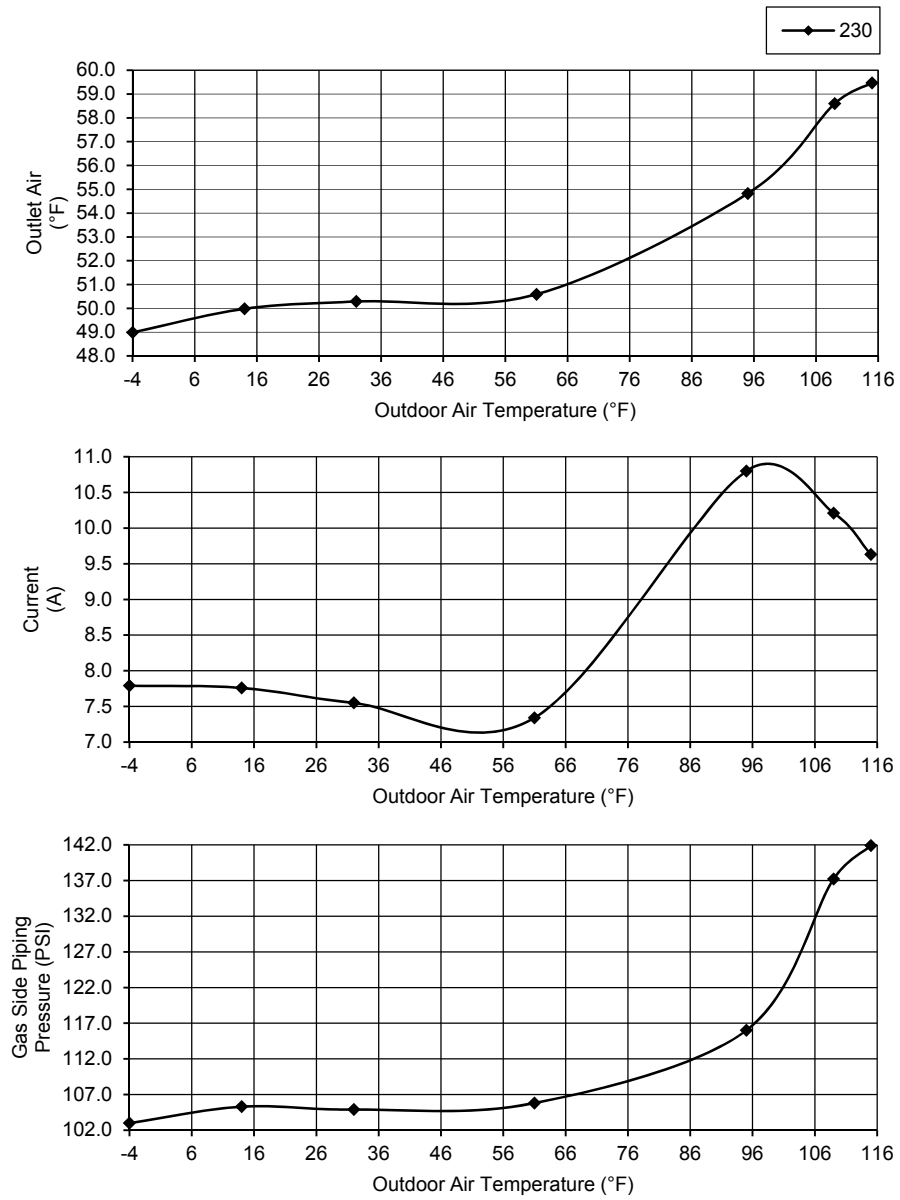
21.1.2 CS-E12RKUAW CU-E12RKUA



21.1.3 CS-E18RKUAW CU-E18RKUA



21.1.4 CS-E24RKUAW CU-E24RKUA

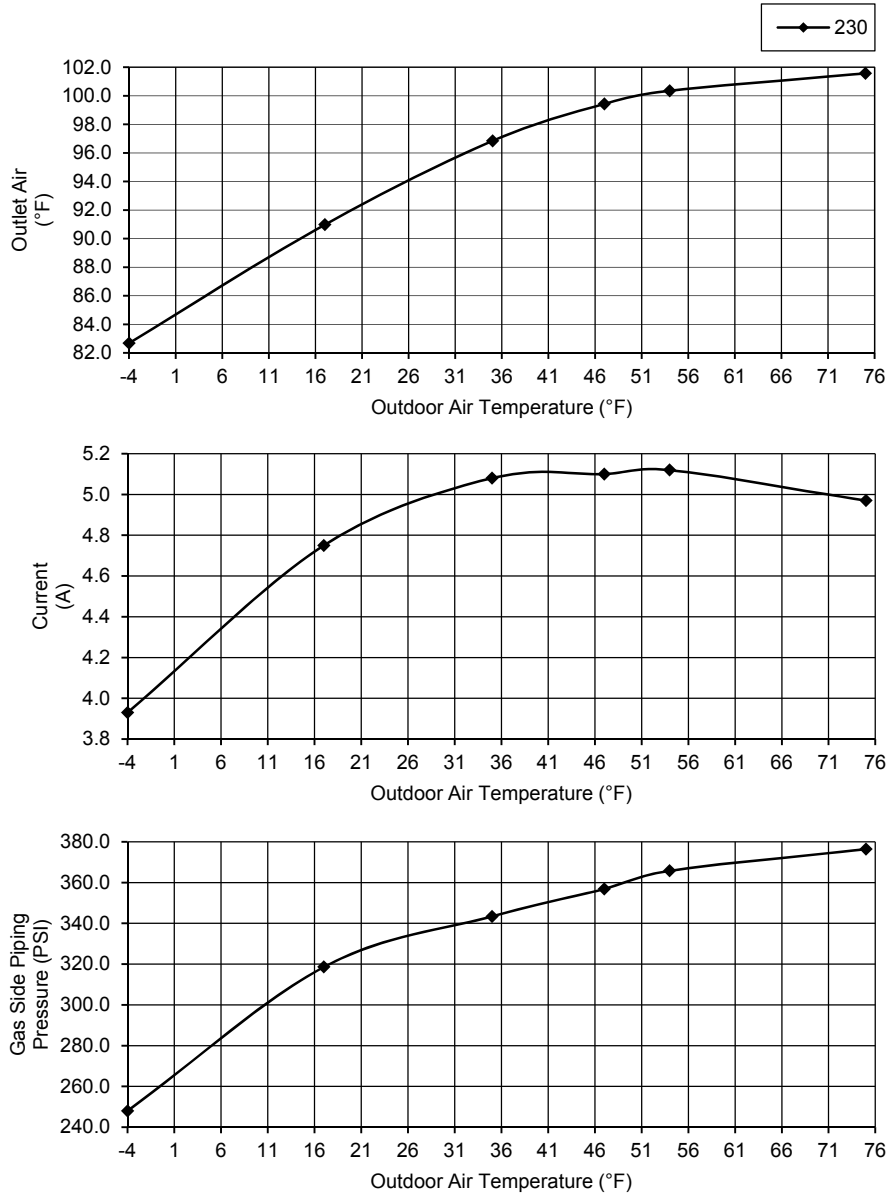


21.2 Heat Mode Outdoor Air Temperature Characteristic

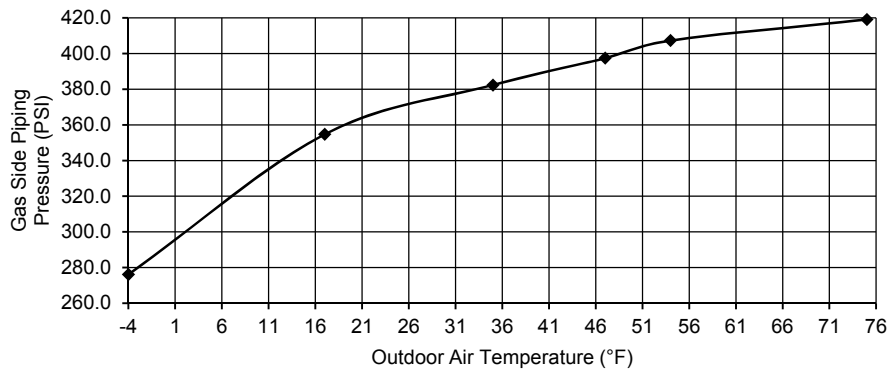
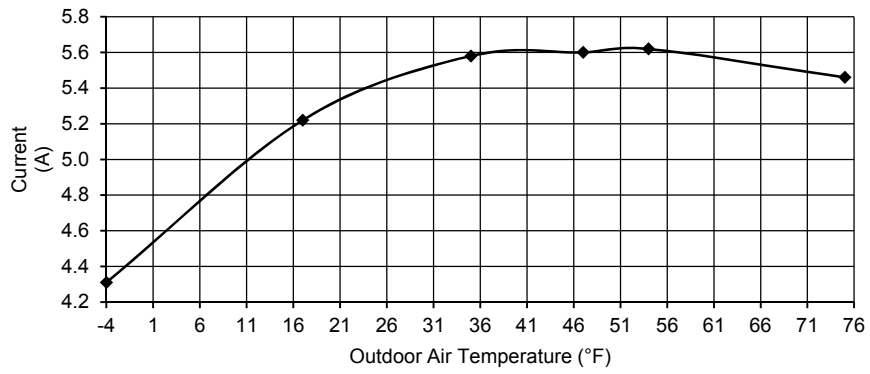
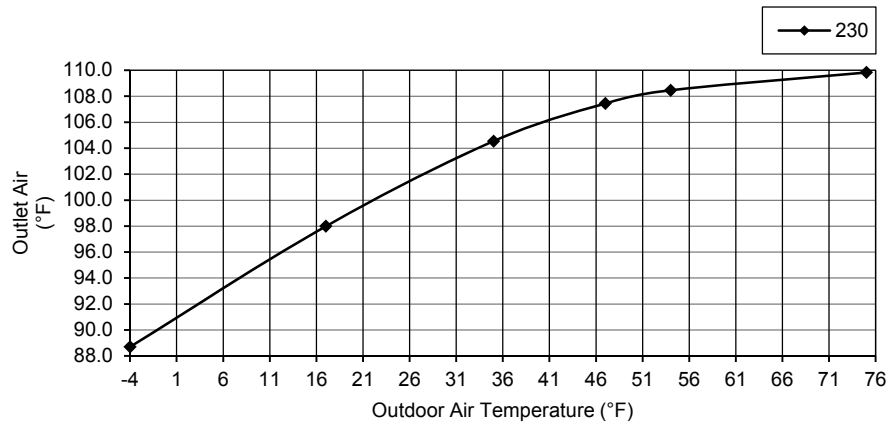
Condition

- Indoor room temperature: 68°F Dry Bulb/-°F Wet Bulb
- Unit setting: Standard piping length, forced heating at 86°F, Hi fan
- Compressor frequency: Rated for Heating operation
- Piping length: 24.6ft
- Voltage: 230V

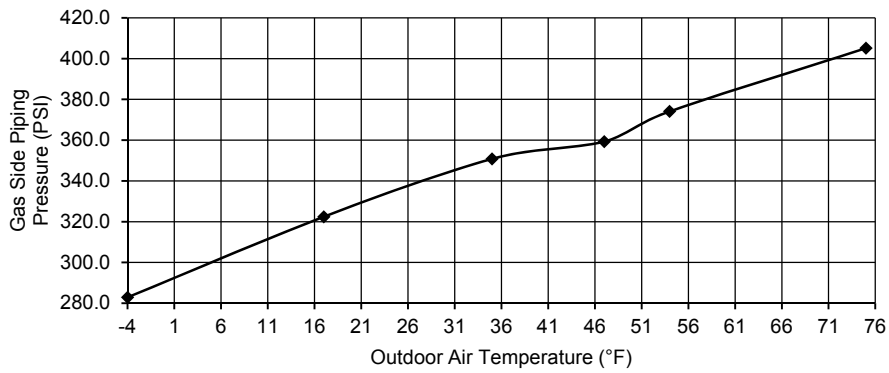
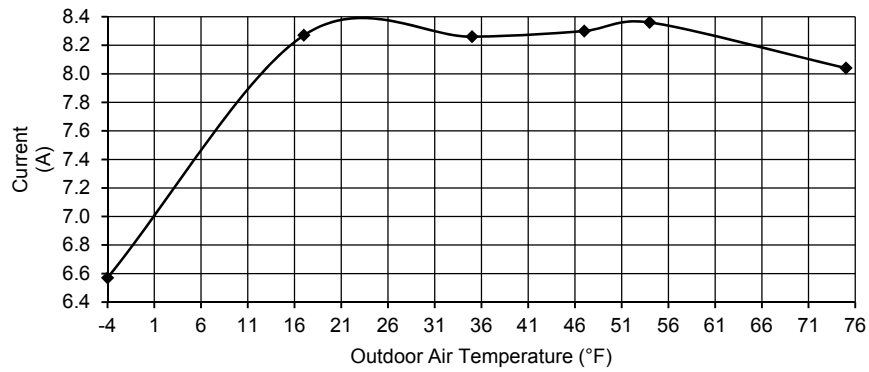
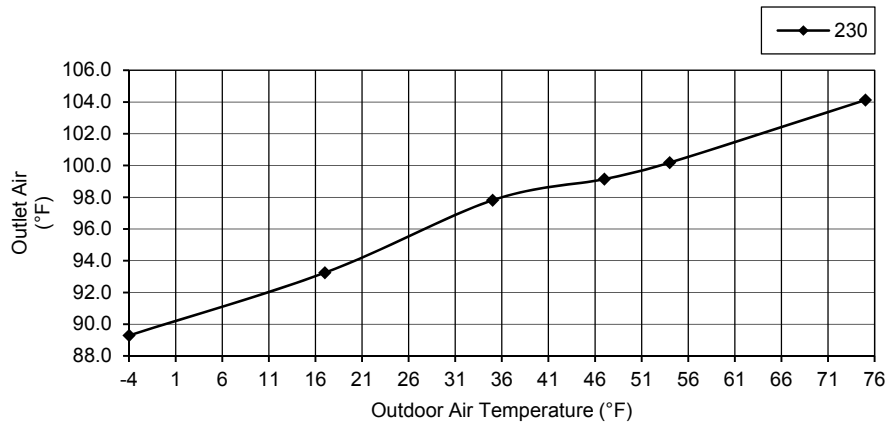
21.2.1 CS-E9RKUAW CU-E9RKUA



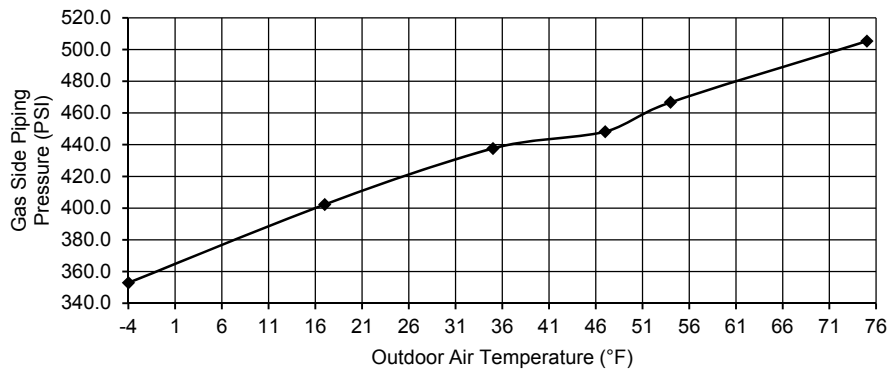
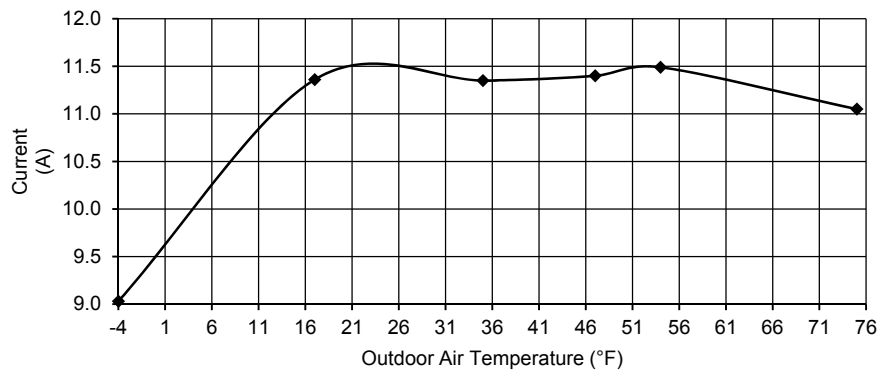
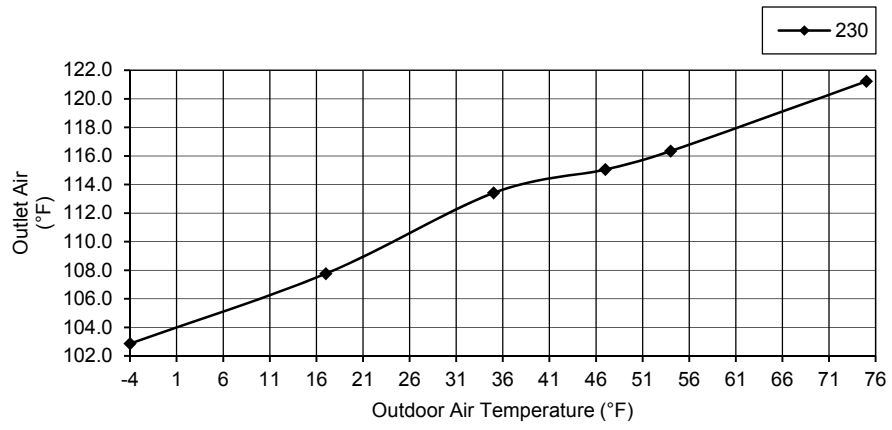
21.2.2 CS-E12RKUAW CU-E12RKUA



21.2.3 CS-E18RKUAW CU-E18RKUA



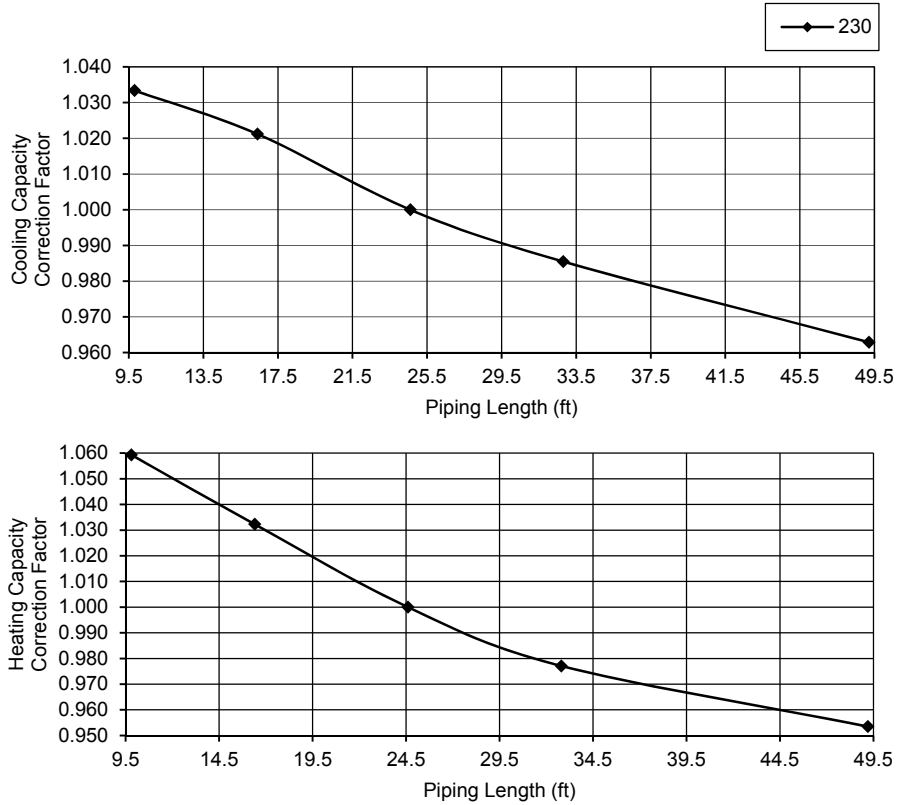
21.2.4 CS-E24RKUAW CU-E24RKUA



21.3 Piping Length Correction Factor

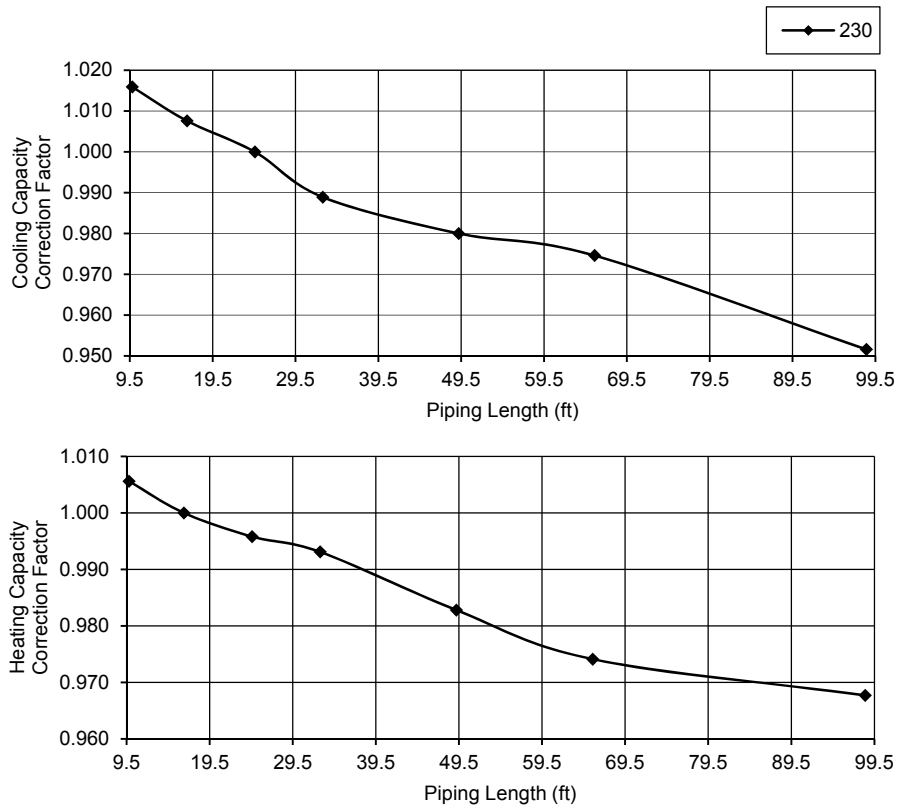
The characteristic of the unit has to be corrected in accordance with the piping length.

21.3.1 CS-E9RKUAW CU-E9RKUA CS-E12RKUAW CU-E12RKUA



Note: The graphs show the factor after added right amount of additional refrigerant.

21.3.2 CS-E18RKUAW CU-E18RKUA CS-E24RKUAW CU-E24RKUA

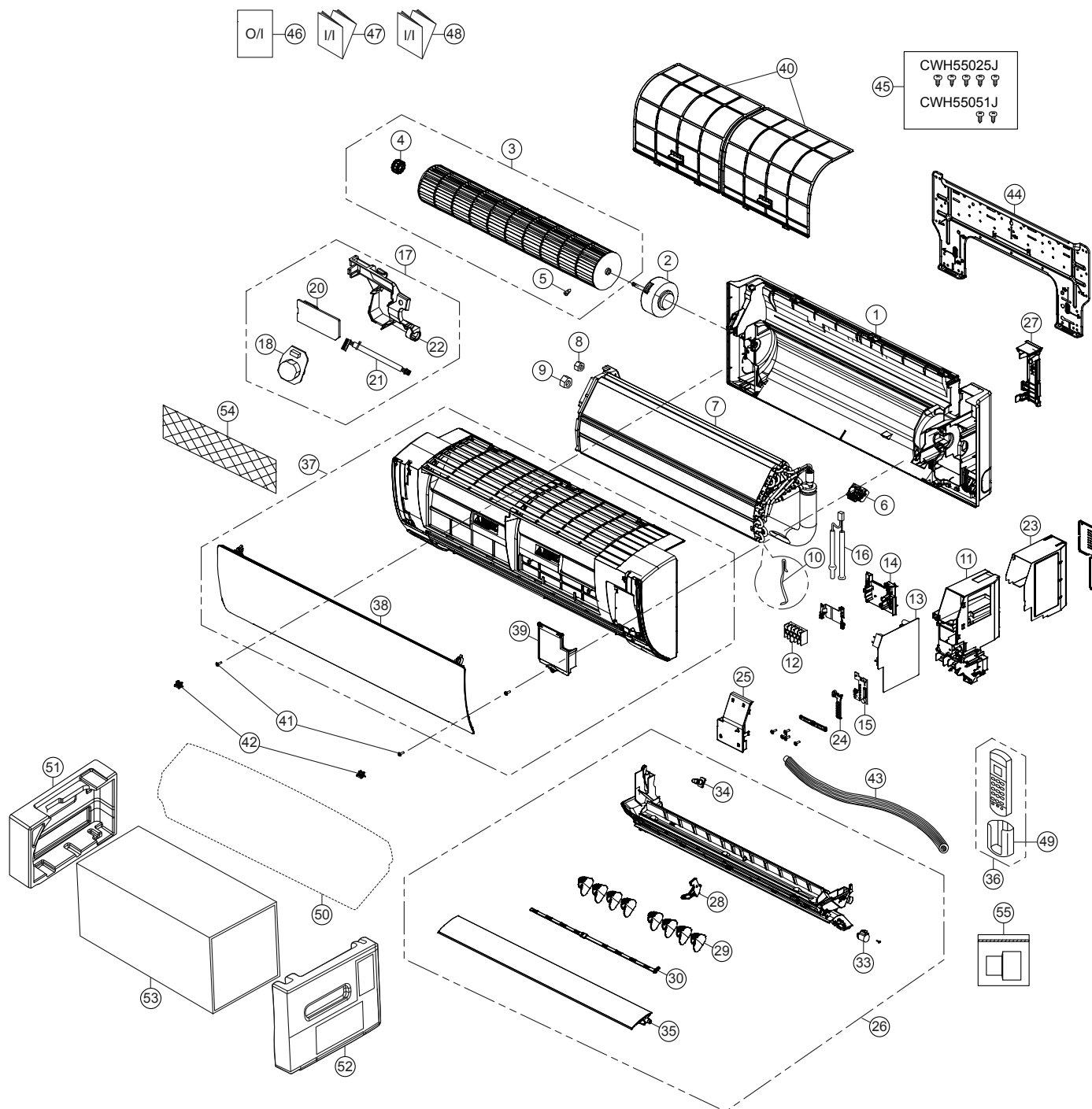


Note: The graphs show the factor after added right amount of additional refrigerant.

22. Exploded View and Replacement Parts List

22.1 Indoor Unit

22.1.1 CS-E9RKUAW CS-E12RKUAW



Note

The above exploded view is for the purpose of parts disassembly and replacement. The non-numbered parts are not kept as standard service parts.

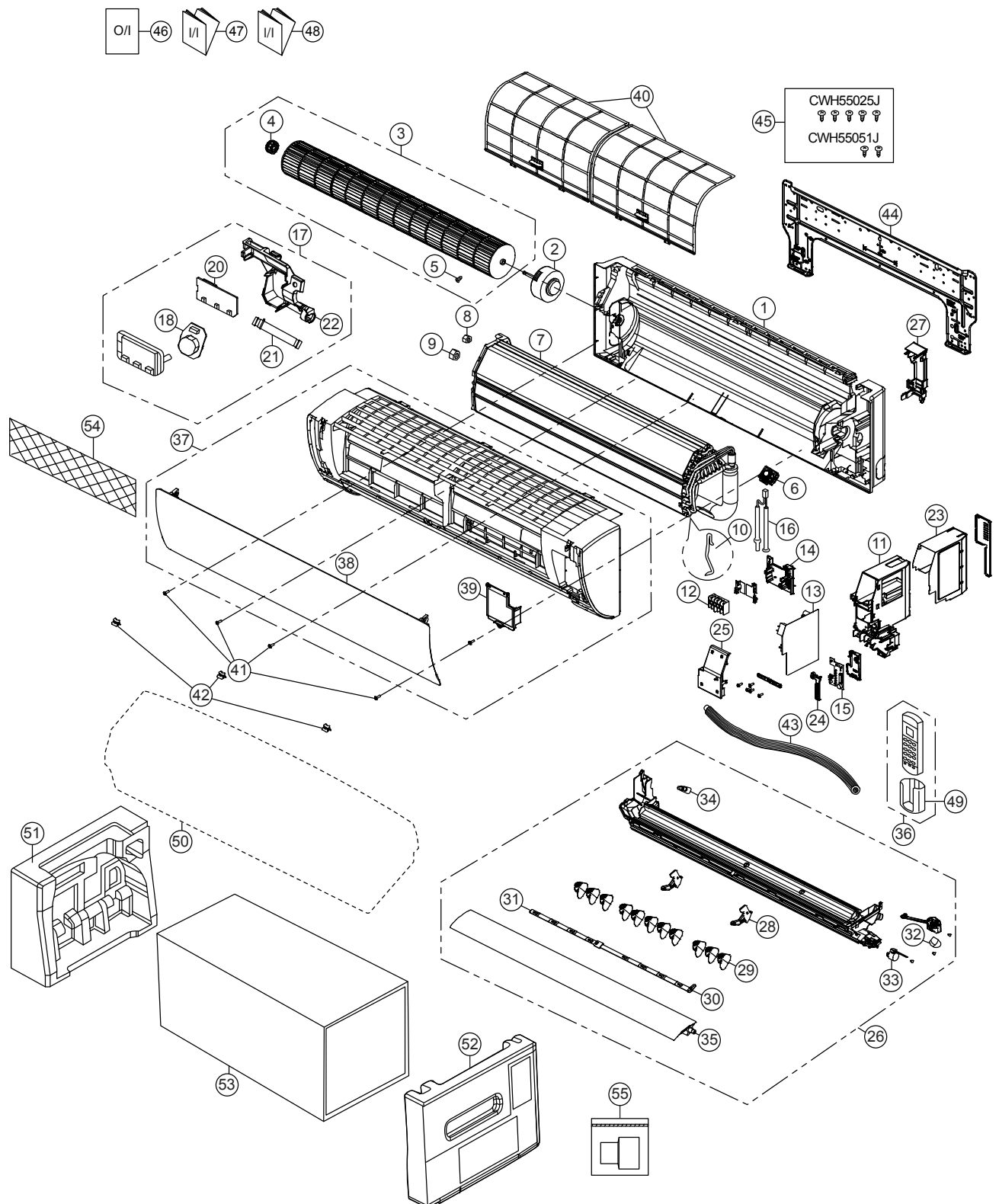
| SAFETY | REF. NO. | PART NAME & DESCRIPTION | QTY. | CS-E9RKUAW | CS-E12RKUAW | REMARK |
|---|----------|------------------------------------|------|---------------|-------------|--------|
| | 1 | CHASSIS COMPLETE | 1 | CWD50C1633 | ← | |
|  | 2 | FAN MOTOR | 1 | L6CBYYYYL0055 | ← | O |
| | 3 | CROSS-FLOW FAN COMPLETE | 1 | CWH02C1076 | ← | |
| | 4 | BEARING ASSY | 1 | CWH64K007 | ← | O |
| | 5 | SCREW - CROSS-FLOW FAN | 1 | CWH551146 | ← | |
| | 6 | PARTICULAR PIECE | 1 | CWD933067 | ← | |
| | 7 | EVAPORATOR | 1 | CWB30C5033 | CWB30C5026 | |
| | 8 | FLARE NUT (LIQUID) | 1 | CWT251030 | ← | |
| | 9 | FLARE NUT (GAS) | 1 | CWT251031 | CWT251032 | |
| | 10 | CLIP FOR SENSOR | 1 | CWH321085 | ← | |
| | 11 | CONTROL BOARD CASING | 1 | CWH102605A | ← | |
| | 12 | TERMINAL BOARD COMPLETE | 1 | CWA28C2357 | ← | O |
|  | 13 | ELECTRONIC CONTROLLER - MAIN | 1 | CWA73C9156 | CWA73C9157 | O |
| | 14 | PARTICULAR PIECE - TERMINAL | 1 | CWD933137A | ← | |
|  | 15 | ELECTRONIC CONTROLLER-INDICATOR | 1 | CWA748158 | ← | O |
| | 16 | SENSOR COMPLETE | 1 | CWA50C3228 | ← | O |
| | 17 | SENSOR COMPLETE (ECO) | 1 | CWA50C2820 | ← | O |
|  | 18 | ELECTRONIC CONTROLLER (ECO SENSOR) | 1 | CWA745791 | ← | O |
|  | 20 | ELECTRONIC CONTROLLER (COMPARATOR) | 1 | CWA746769 | ← | O |
| | 21 | LEAD WIRE - PCB ECO | 1 | CWA67C9786 | ← | O |
| | 22 | CONTROL BOARD CASING FOR PCB ECO | 1 | CWD933427 | ← | |
| | 23 | CONTROL BOARD TOP COVER | 1 | CWH131467 | ← | |
| | 24 | INDICATOR HOLDER | 1 | CWD933406 | ← | |
| | 25 | CONTROL BOARD FRONT COVER CO. | 1 | CWH13C1333 | ← | |
| | 26 | DISCHARGE GRILLE COMPLETE | 1 | CWE20C3495 | ← | |
| | 27 | BACK COVER CHASSIS | 1 | CWD933233B | ← | |
| | 28 | FULCRUM | 1 | CWH621131 | ← | |
| | 29 | VERTICAL VANE | 8 | CWE241374 | ← | |
| | 30 | CONNECTING BAR | 2 | CWE261251 | ← | |
|  | 33 | AIR SWING MOTOR | 1 | CWA981264 | ← | O |
| | 34 | CAP - DRAIN TRAY | 1 | CWH521259 | ← | |
| | 35 | HORIZONTAL VANE COMPLETE | 1 | CWE24C1385 | ← | |
| | 36 | REMOTE CONTROL COMPLETE | 1 | CWA75C4567 | ← | O |
| | 37 | FRONT GRILLE COMPLETE | 1 | CWE11C5960 | ← | O |
| | 38 | INTAKE GRILLE COMPLETE | 1 | CWE22C1946 | ← | |
| | 39 | GRILLE DOOR COMPLETE | 1 | CWE14C1131 | ← | |
| | 40 | AIR FILTER | 2 | CWD001279 | ← | O |
| | 41 | SCREW - FRONT GRILLE | 2 | XTT4+16CFJ | ← | |
| | 42 | CAP - FRONT GRILLE | 2 | CWH521227 | ← | |
| | 43 | DRAIN HOSE | 1 | CWH851173 | ← | |
| | 44 | INSTALLATION PLATE | 1 | CWH361134 | ← | |
| | 45 | BAG COMPLETE - INSTALLATION SCREW | 1 | CWH82C1705 | ← | |
| | 46 | OPERATING INSTRUCTION | 1 | CWF569755 | ← | |
| | 47 | INSTALLATION INSTRUCTION | 1 | CWF616529 | ← | |
| | 48 | INSTALLATION INSTRUCTION | 1 | CWF616530 | ← | |
| | 49 | REMOTE CONTROL HOLDER | 1 | CWH361078 | ← | |
| | 50 | BAG | 1 | CWG861497 | ← | |

| SAFETY | REF. NO. | PART NAME & DESCRIPTION | QTY. | CS-E9RKUAW | CS-E12RKUAW | REMARK |
|--------|----------|-------------------------------|------|------------|-------------|--------|
| | 51 | SHOCK ABSORBER (L) | 1 | CWG713386 | ← | |
| | 52 | SHOCK ABSORBER (R) | 1 | CWG713387 | ← | |
| | 53 | C.C.CASE | 1 | CWG567355 | ← | |
| | 54 | AIR PURIFYING FILTER | 1 | CWD00C1141 | ← | O |
| | 55 | BAG COMPLETE (TUBE CONNECTOR) | 1 | CWH82C2030 | ← | |

(Note)

- All parts are supplied from PHAAM, Malaysia (Vendor Code: 00029488).
- “O” marked parts are recommended to be kept in stock.

22.1.2 CS-E18RKUAW CS-E24RKUAW



Note

The above exploded view is for the purpose of parts disassembly and replacement.
The non-numbered parts are not kept as standard service parts.

| SAFETY | REF. NO. | PART NAME & DESCRIPTION | QTY. | CS-E18RKUAW | CS-E24RKUAW | REMARK |
|--------|----------|------------------------------------|------|-------------|-------------|--------|
| | 1 | CHASSIS COMPLETE | 1 | CWD50C1637 | ← | |
| ⚠ | 2 | FAN MOTOR | 1 | L6CBYYL0056 | ← | O |
| | 3 | CROSS-FLOW FAN COMPLETE | 1 | CWH02C1077 | ← | |
| | 4 | BEARING ASSY | 1 | CWH64K007 | ← | O |
| | 5 | SCREW - CROSS-FLOW FAN | 1 | CWH551146 | ← | |
| | 6 | PARTICULAR PIECE | 1 | CWD933067 | ← | |
| | 7 | EVAPORATOR | 1 | CWB30C3963 | CWB30C3967 | |
| | 8 | FLARE NUT (LIQUID) | 1 | CWT251030 | ← | |
| | 9 | FLARE NUT (GAS) | 1 | CWT251032 | CWT251033 | |
| | 10 | CLIP FOR SENSOR | 1 | CWH32142 | ← | |
| | 11 | CONTROL BOARD CASING | 1 | CWH102605A | ← | |
| ⚠ | 12 | TERMINAL BOARD COMPLETE | 1 | CWA28C2357 | ← | O |
| ⚠ | 13 | ELECTRONIC CONTROLLER - MAIN | 1 | CWA73C9158 | CWA73C9159 | O |
| | 14 | PARTICULAR PIECE - TERMINAL | 1 | CWD933137A | ← | |
| ⚠ | 15 | ELECTRONIC CONTROLLER-INDICATOR | 1 | CWA748158 | ← | O |
| | 16 | SENSOR COMPLETE | 1 | CWA50C3228 | ← | O |
| | 17 | SENSOR COMPLETE (ECO) | 1 | CWA50C2827 | ← | O |
| ⚠ | 18 | ELECTRONIC CONTROLLER (ECO SENSOR) | 1 | CWA745791 | ← | O |
| ⚠ | 20 | ELECTRONIC CONTROLLER (COMPARATOR) | 1 | CWA746769 | ← | O |
| | 21 | LEAD WIRE - PCB ECO | 1 | CWA67C9935 | ← | O |
| | 22 | CONTROL BOARD CASING FOR PCB ECO | 1 | CWD933455 | ← | |
| | 23 | CONTROL BOARD TOP COVER | 1 | CWH131467 | ← | |
| | 24 | INDICATOR HOLDER | 1 | CWD933406 | ← | |
| | 25 | CONTROL BOARD FRONT COVER CO. | 1 | CWH13C1333 | ← | |
| | 26 | DISCHARGE GRILLE COMPLETE | 1 | CWE20C3496 | ← | |
| | 27 | BACK COVER CHASSIS | 1 | CWD933031B | ← | |
| | 28 | FULCRUM | 1 | CWH621138 | ← | |
| | 29 | VERTICAL VANE | 11 | CWE241374 | ← | |
| | 30 | CONNECTING BAR | 1 | CWE261257 | ← | |
| | 31 | CONNECTING BAR | 1 | CWE261258 | ← | |
| ⚠ | 32 | AIR SWING MOTOR ASS'Y. | 1 | CWA98K1024 | ← | |
| ⚠ | 33 | AIR SWING MOTOR | 1 | CWA981241 | ← | O |
| | 34 | CAP - DRAIN TRAY | 1 | CWH521259 | ← | |
| | 35 | HORIZONTAL VANE COMPLETE | 1 | CWE24C1392 | ← | |
| | 36 | REMOTE CONTROL COMPLETE | 1 | CWA75C4569 | ← | O |
| | 37 | FRONT GRILLE COMPLETE | 1 | CWE11C5961 | ← | O |
| | 38 | INTAKE GRILLE COMPLETE | 1 | CWE22C1945 | ← | |
| | 39 | GRILLE DOOR COMPLETE | 1 | CWE14C1131 | ← | |
| | 40 | AIR FILTER | 2 | CWD001283 | ← | O |
| | 41 | SCREW - FRONT GRILLE | 3 | XTT4+16CFJ | ← | |
| | 42 | CAP - FRONT GRILLE | 3 | CWH521227 | ← | |
| | 43 | DRAIN HOSE | 1 | CWH851173 | ← | |
| | 44 | INSTALLATION PLATE | 1 | CWH361098 | ← | |
| | 45 | BAG COMPLETE - INSTALLATION SCREW | 1 | CWH82C1705 | ← | |
| | 46 | OPERATING INSTRUCTION | 1 | CWF569756 | ← | |
| | 47 | INSTALLATION INSTRUCTION | 1 | CWF616730 | ← | |
| | 48 | INSTALLATION INSTRUCTION | 1 | CWF616731 | ← | |

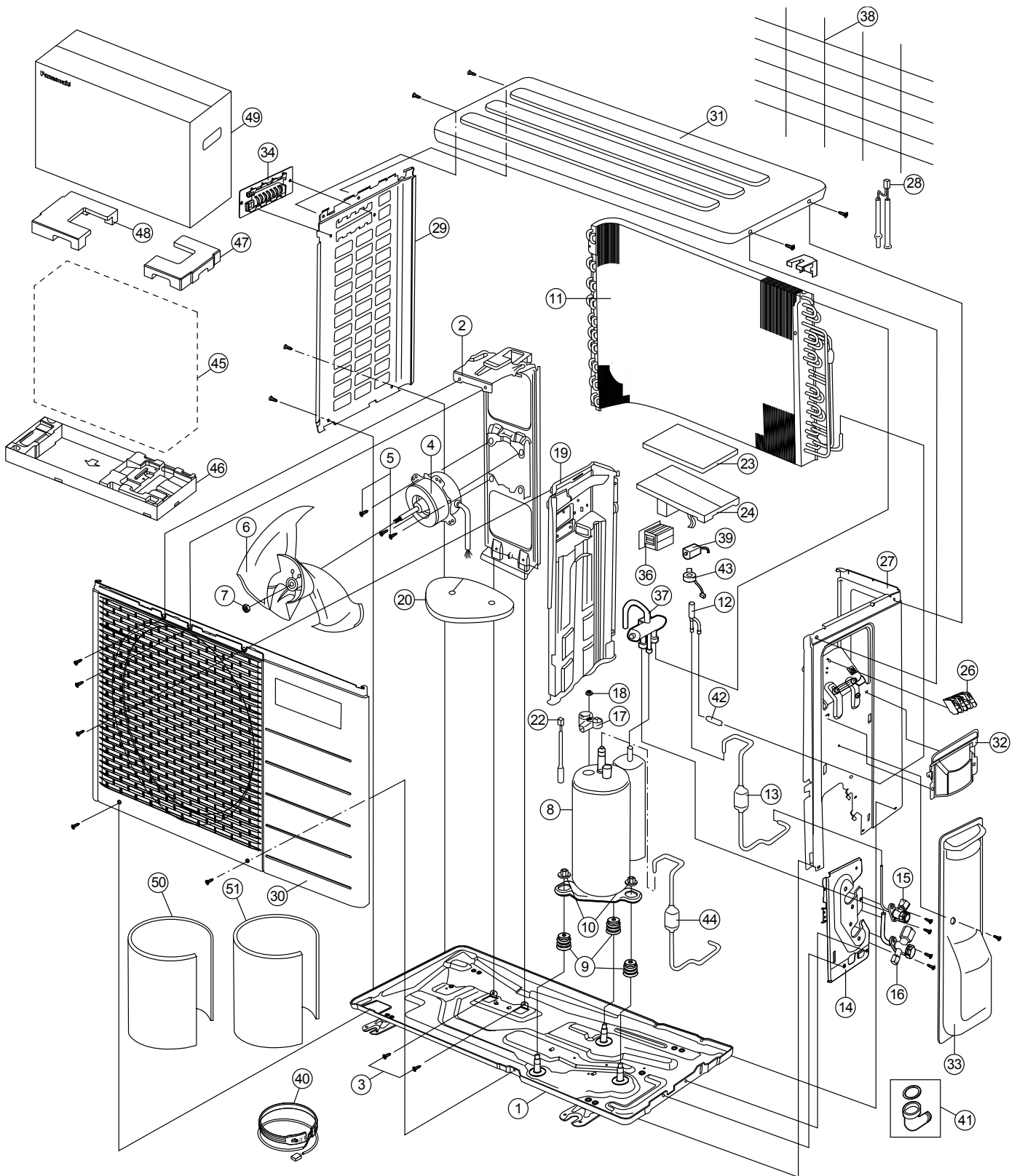
| SAFETY | REF. NO. | PART NAME & DESCRIPTION | QTY. | CS-E18RKUAW | CS-E24RKUAW | REMARK |
|--------|----------|-------------------------------|------|-------------|-------------|--------|
| | 49 | REMOTE CONTROL HOLDER | 1 | CWH361078 | ← | |
| | 50 | BAG | 1 | CWG861498 | ← | |
| | 51 | SHOCK ABSORBER (L) | 1 | CWG713402 | ← | |
| | 52 | SHOCK ABSORBER (R) | 1 | CWG713403 | ← | |
| | 53 | C.C. CASE | 1 | CWG567455 | ← | |
| | 54 | AIR PURIFYING FILTER | 1 | CWD00C1141 | ← | O |
| | 55 | BAG COMPLETE (TUBE CONNECTOR) | 1 | CWH82C2030 | ← | |

(Note)

- All parts are supplied from PAPAMY, Malaysia (Vendor Code: 00029488).
- “O” marked parts are recommended to be kept in stock.

22.2 Outdoor Unit

22.2.1 CU-E9RKUA CU-E12RKUA



Note

The above exploded view is for the purpose of parts disassembly and replacement. The non-numbered parts are not kept as standard service parts.

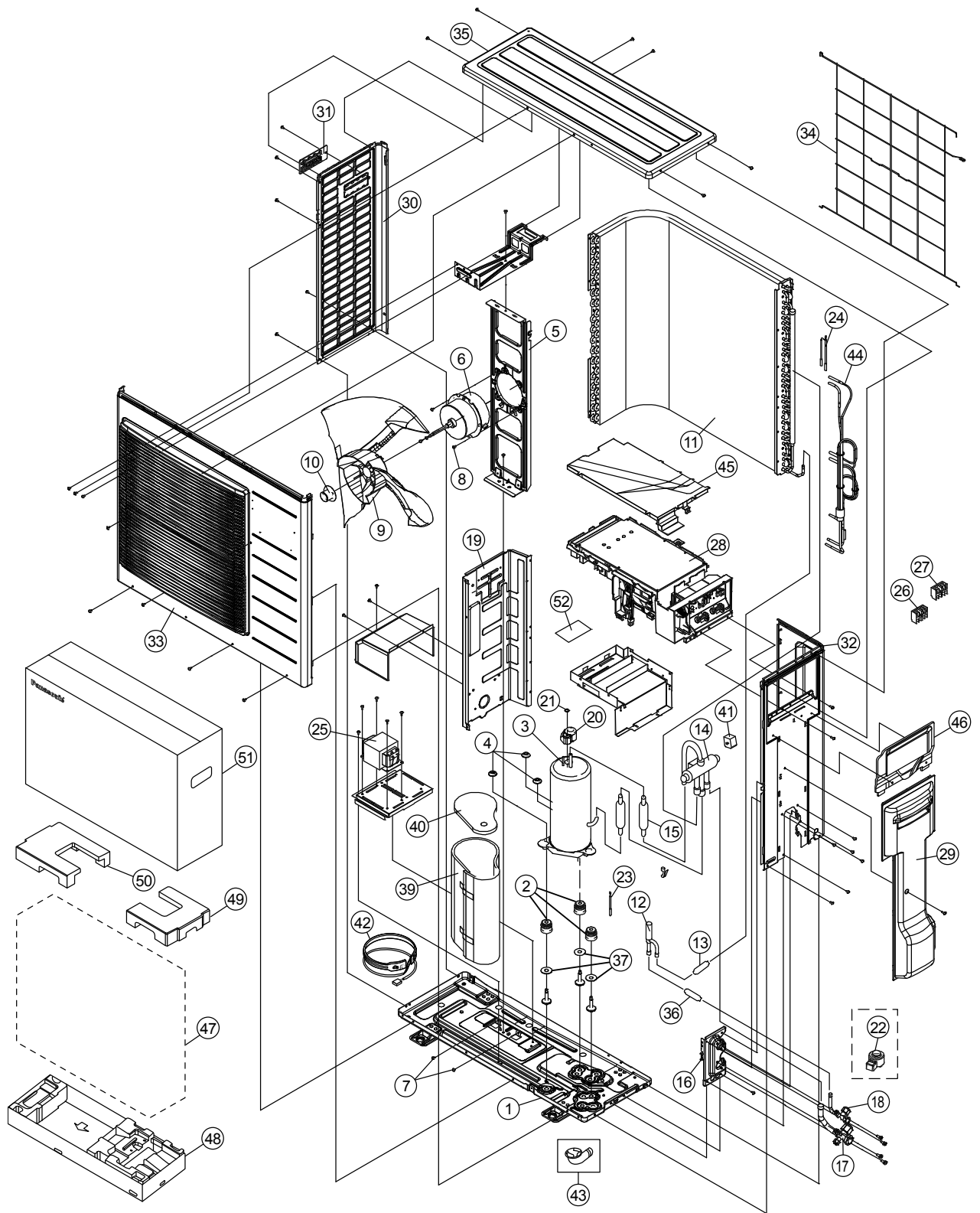
| SAFETY | REF. NO. | PART NAME & DESCRIPTION | QTY. | CU-E9RKUA | CU-E12RKUA | REMARK |
|--------|----------|-------------------------------------|------|--------------|--------------|--------|
| | 1 | CHASSIS COMPLETE | 1 | CWD50K2081A | ← | |
| | 2 | FAN MOTOR BRACKET | 1 | CWD541089 | ← | |
| | 3 | SCREW - FAN MOTOR BRACKET | 2 | CWH551217 | ← | |
| ⚠ | 4 | FAN MOTOR | 1 | ARW6404AC | ← | O |
| | 5 | SCREW - FAN MOTOR MOUNT | 4 | CWH55252J | ← | |
| | 6 | PROPELLER FAN ASSY | 1 | CWH03K1014 | ← | |
| | 7 | NUT - PROPELLER FAN | 1 | CWH56053J | ← | |
| ⚠ | 8 | COMPRESSOR | 1 | 5RS102XHA21 | ← | O |
| | 9 | ANTI - VIBRATION BUSHING | 3 | CWH50077 | ← | |
| | 10 | NUT - COMPRESSOR MOUNT | 3 | CWH561096 | ← | |
| | 11 | CONDENSER | 1 | CWB32C3394 | CWB32C4129 | |
| | 12 | EXPANSION VALVE | 1 | CWB051016J | ← | O |
| | 13 | DISCHARGE MUFFLER (EXPANSION VALVE) | 1 | CWB121021 | ← | |
| | 14 | HOLDER COUPLING | 1 | CWH351231A | ← | |
| | 15 | 2-WAYS VALVE (LIQUID) | 1 | CWB021180J | CWB021654 | O |
| | 16 | 3-WAY VALVE (GAS) | 1 | CWB011374 | CWB011367 | O |
| | 17 | TERMINAL COVER | 1 | CWH171039A | ← | |
| | 18 | NUT - TERMINAL COVER | 1 | CWH7080300J | ← | |
| | 19 | SOUND PROOF BOARD | 1 | CWH151172A | ← | |
| | 20 | SOUND PROOF MATERIAL | 1 | CWG302570 | ← | |
| | 22 | SENSOR CO-COMP TEMP | 1 | CWA50C2340 | ← | O |
| | 23 | CONTROL BOARD COVER - TOP | 1 | CWH131264 | ← | |
| ⚠ | 24 | ELECTRONIC CONTROLLER - MAIN | 1 | CWA73C9160R | CWA73C9161R | O |
| ⚠ | 26 | TERMINAL BOARD ASSY | 1 | CWA28K1154 | ← | o |
| | 27 | CABINET SIDE PLATE CO. | 1 | CWE04C1226 | CWE04C1558 | |
| | 28 | SENSOR CO-AIR TEMP AND PIPE TEMP | 1 | CWA50C2793 | CWA50C3315 | O |
| | 29 | CABINET SIDE PLATE | 1 | CWE041492A | ← | |
| | 30 | CABINET FRONT PLATE CO. | 1 | CWE06C1142 | ← | |
| | 31 | CABINET TOP PLATE | 1 | CWE031018A | ← | |
| | 32 | PLATE - C. B. COVER TERMINAL | 1 | CWH131301 | ← | |
| | 33 | CONTROL BOARD COVER CO. | 1 | CWH13C1345 | ← | |
| | 34 | HANDLE | 1 | CWE161010 | ← | |
| ⚠ | 36 | REACTOR | 1 | G0C193J00002 | G0C193J00004 | O |
| | 37 | 4-WAYS VALVE | 1 | CWB001058 | ← | O |
| | 38 | WIRE NET | 1 | CWD041161A | ← | |
| ⚠ | 39 | V-COIL COMPLETE (4 W. VALVE) | 1 | CWA43C2432 | ← | O |
| | 40 | HEATER | 1 | CWA341065 | ← | |
| | 41 | BAG-COMPLETE | 1 | CWG87C900 | ← | |
| | 42 | STRAINER | 1 | CWB111061 | ← | |
| ⚠ | 43 | V-COIL COMPLETE (EXPANSION VALVE) | 1 | CWA43C2393 | ← | O |
| | 44 | DISCHARGE MUFFLER (4 W. VALVE) | 1 | CWB121047 | ← | |
| | 45 | BAG | 1 | CWG861078 | ← | |
| | 46 | BASE BOARD-COMPLETE | 1 | CWG50C2388 | ← | |
| | 47 | SHOCK ABSORBER (R) | 1 | CWG712210 | ← | |
| | 48 | SHOCK ABSORBER (L) | 1 | CWG712209 | ← | |
| | 49 | C.C.CASE | 1 | CWG565107 | ← | |

| SAFETY | REF. NO. | PART NAME & DESCRIPTION | QTY. | CU-E9RKUA | CU-E12RKUA | REMARK |
|--------|----------|-------------------------|------|-----------|------------|--------|
| | 50 | SOUND PROOF MATERIAL | 1 | CWG302292 | ← | |
| | 51 | SOUND PROOF MATERIAL | 1 | CWG302569 | ← | |

(Note)

- All parts are supplied from PHAAM, Malaysia (Vendor Code: 00029488).
- "O" marked parts are recommended to be kept in stock.


22.2.2 CU-E18RKUA CU-E24RKUA



Note

The above exploded view is for the purpose of parts disassembly and replacement.
The non-numbered parts are not kept as standard service parts.

| SAFETY | REF. NO. | PART NAME & DESCRIPTION | QTY. | CU-E18RKUA | CU-E24RKUA | REMARK |
|--------|----------|-----------------------------------|------|--------------|-------------|--------|
| | 1 | CHASSIS COMPLETE | 1 | CWD52K1228A | ← | |
| | 2 | ANTI - VIBRATION BUSHING | 3 | CWH50055 | ← | |
| ⚠ | 3 | COMPRESSOR | 1 | 5KD240XAF21 | ← | O |
| | 4 | NUT - COMPRESSOR MOUNT | 3 | CWH561049 | ← | |
| | 5 | FAN MOTOR BRACKET | 1 | CWD541127 | ← | |
| ⚠ | 6 | FAN MOTOR | 1 | EHDS80CAC | ← | O |
| | 7 | SCREW - FAN MOTOR BRACKET | 3 | CWH551217 | ← | |
| | 8 | SCREW - FAN MOTOR MOUNT | 4 | CWH551323 | ← | |
| | 9 | PROPELLER FAN ASSY | 1 | CWH00K1006 | ← | |
| | 10 | NUT - PROPELLER FAN | 1 | CWH561092 | ← | |
| | 11 | CONDENSER | 1 | CWB32C3516 | ← | |
| | 12 | EXPANSION VALVE | 1 | CWB051018J | ← | O |
| | 13 | STRAINER | 1 | CWB111076 | ← | |
| | 14 | 4-WAYS VALVE | 1 | CWB001057 | ← | O |
| | 15 | DISCHARGE MUFFLER (4 W. VALVE) | 1 | CWB121055 | ← | |
| | 16 | HOLDER COUPLING | 1 | CWH351228A | ← | |
| | 17 | 3-WAY VALVE (GAS) | 1 | CWB011672 | CWB011363 | O |
| | 18 | 2-WAYS VALVE (LIQUID) | 1 | CWB021464 | ← | O |
| | 19 | SOUND PROOF BOARD | 1 | CWH151197 | ← | |
| | 20 | TERMINAL COVER | 1 | CWH171039A | ← | |
| | 21 | NUT - TERMINAL COVER | 1 | CWH7080300J | ← | |
| ⚠ | 22 | V-COIL COMPLETE (EXPANSION VALVE) | 1 | CWA43C2393 | ← | O |
| | 23 | SENSOR CO-COMP TEMP | 1 | CWA50C2689 | ← | O |
| | 24 | SENSOR CO-AIR TEMP AND PIPE TEMP | 1 | CWA50C2710 | ← | O |
| ⚠ | 25 | REACTOR | 1 | G0C452J00002 | ← | O |
| ⚠ | 26 | TERMINAL BOARD ASSY | 1 | CWA28K1277 | ← | O |
| ⚠ | 27 | TERMINAL BOARD ASSY | 1 | CWA28K1076J | ← | O |
| ⚠ | 28 | ELECTRONIC CONTROLLER - MAIN | 1 | CWA73C9162R | CWA73C9163R | O |
| | 29 | CONTROL BOARD COVER - COMPLETE | 1 | CWH13C1210 | ← | |
| | 30 | CABINET SIDE PLATE | 1 | CWE041490A | ← | |
| | 31 | HANDLE | 1 | CWE161010 | ← | |
| | 32 | CABINET SIDE PLATE | 1 | CWE041488A | ← | |
| | 33 | CABINET FRONT PLATE CO. | 1 | CWE06K1070 | ← | |
| | 34 | WIRE NET | 1 | CWD041128A | ← | |
| | 35 | CABINET TOP PLATE | 1 | CWE031131A | ← | |
| | 36 | RECEIVER | 1 | CWB14030 | ← | |
| | 37 | PACKING | 3 | CWB81043 | ← | |
| | 39 | SOUND PROOF MATERIAL | 1 | CWG302245 | ← | |
| | 40 | SOUND PROOF MATERIAL | 1 | CWG302246 | ← | |
| ⚠ | 41 | V-COIL COMPLETE (4 W. VALVE) | 1 | CWA43C2392 | ← | O |
| | 42 | HEATER | 1 | CWA341067 | ← | |
| | 43 | BAG-COMPLETE | 1 | CWG87C900 | ← | |
| | 44 | TUBE ASSY CO. (CAP. TUBE) | 1 | CWT01C6093 | ← | |
| | 45 | CONTROL BOARD COVER - TOP | 1 | CWH131333 | ← | |
| | 46 | CONTROL BOARD COVER | 1 | CWH131332 | ← | |
| | 47 | BAG | 1 | CWG861154 | ← | |
| | 48 | BASE BOARD-COMPLETE | 1 | CWG62C1082 | ← | |

| SAFETY | REF. NO. | PART NAME & DESCRIPTION | QTY. | CU-E18RKUA | CU-E24RKUA | REMARK |
|---|----------|----------------------------|------|------------|------------|--------|
| | 49 | SHOCK ABSORBER (R) | 1 | CWG712880 | ← | |
| | 50 | SHOCK ABSORBER (L) | 1 | CWG712879 | ← | |
| | 51 | C.C. CASE | 1 | CWG565614 | ← | |
|  | 52 | ELECTRONIC CONTROLLER - NF | 1 | CWA747077 | ← | |

(Note)

- All parts are supplied from PAPAMY, Malaysia (Vendor Code: 00029488).
- "O" marked parts are recommended to be kept in stock.