

SANTA BARBARA LIGHTING COMPANY

THE BRIDGEPORT FLUSH MOUNT

S B L C - 2 0 B

GENERAL INFORMATION

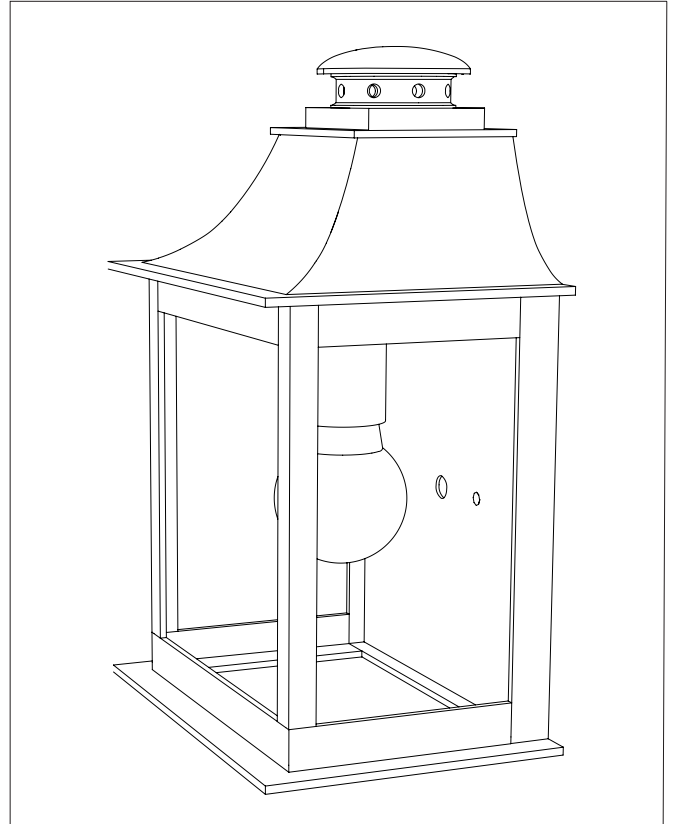
- When installing lantern, conform to all applicable local electrical codes, ordinances and the National Electrical Code (nec).
- For your safety and proper operation of the lantern, read and understand all instructions completely before commencing installation of this lantern.
- Carefully unpack the lantern and inspect for damage.
- This product is rated one 60w medium base bulb max.
- Save these instructions for future reference.

CAUTION

This product should only be installed by a licensed electrician.

WARNING

The electricity must be turned off at the main fuse box before installing this lantern.



CARE INSTRUCTIONS

When exposed to the elements, wrought iron may rust and finishes may fade but occasional maintenance will keep your lights looking new. Wipe the fixture with a mild detergent and water mixture and let dry. Next use a clear car wax applied with a soft cloth and buff until the desired luster has been achieved.

SBLC stands behind our workmanship and guarantees our products against any defect in craftsmanship or materials for one full year. Returns will not be accepted for any other reason. We are not liable for damage due to shipping or improper installation. See our website for further information regarding our warranty and returns.

THE BRIDGEPORT FLUSH MOUNT

INSTALLATION AND CARE INSTRUCTIONS

INSTALLATION INSTRUCTIONS

STEP 1: Shut off the main electrical supply to the junction box from the fuse box/circuit breaker.

STEP 2: Locate junction box and attach crossbar provided to the junction box.

STEP 3: Using the wire nuts provided, make electrical connections by following the electrical configuration table below. Ensure that all electrical connections are wrapped with UL-listed electrical tape.

STEP 4: Attach the fixture to the crossbar using the threaded nipple and cap provided. Be careful to avoid scratching the finish on the lantern.

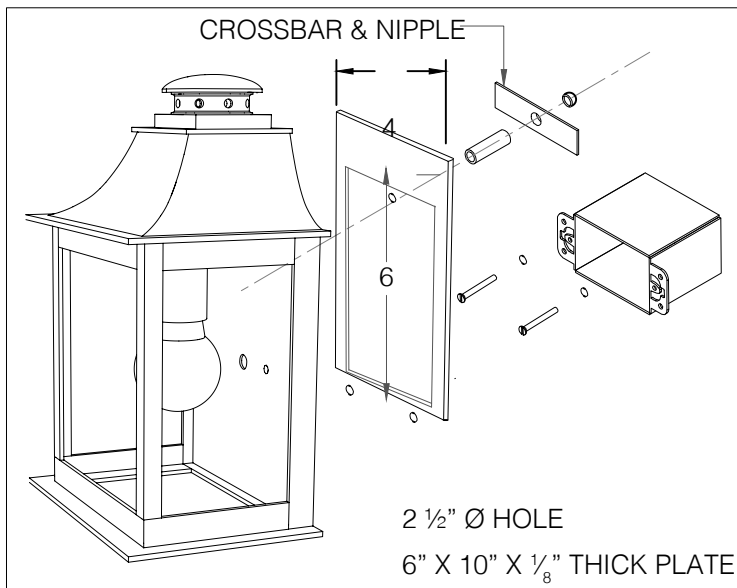
STEP 5: Install light bulb in fixture socket and restore power to the circuit.

STEP 6: Confirm proper operation of the lantern.

ELECTRIC CONFIGURATION INSTRUCTIONS

- Connect black or red wire (hot) house supply circuit to lantern black wire (hot).
- Connect white (neutral) house supply circuit wire to lantern white wire (neutral).
- Connect green insulated or bare copper (ground-) house supply circuit wire and lantern bare standard wire (ground-) to green screw on crossbar.
- **GENERAL NOTES:** Use UL listed wire nuts for the wiring connections in this lantern. Wrap wire nut connections with UL listed electrical tape.
- It is recommended that bead of clear silicon be applied to backplate where it touches the wall surface.
- For questions, please contact customer service at: (805) 770-7400.

MOUNTING DIAGRAM



COMPONENTS PROVIDED FOR INSTALLATION

