

Installation and User's Guide

DANGER

If you smell gas:

1. Shut off gas to appliance.
2. Extinguish any open flame.
3. If odor continues, keep away from the appliance and immediately call your gas supplier or fire department.

DANGER

Do not store or use gasoline, or other flammable vapors and liquids, in the vicinity of this or any other appliance.

An LP-cylinder not connected for use shall not be stored in the vicinity of this or any other appliance.

WARNING

FOR OUTDOOR USE ONLY.
Appliance is to be protected from rain.

WARNING

Improper installation, adjustment, alteration, service, or maintenance can cause property damage, injury, or death. Read the installation, operating, and maintenance instruction thoroughly before installing or servicing this equipment.

INSTALLER : Leave this manual with the appliance.
CONSUMER: Retain this manual for future reference.



We value your feedback!

Your input helps to create even better products and experiences.

Share the warmth and leave a review.

dimplex.com/sharethewarmth

 [YouTube / Dimplex](https://www.youtube.com/Dimplex) 

Table of Contents

Welcome	3
IMPORTANT INSTRUCTIONS	4
Liquid Propane (LP) Use and Safety	4
Technical Specifications	7
Product Dimensions	7
Package Contents	8
Accessories	9
Installation	10
Minimum Clearances	10
Operation	15
Checking for Gas Leaks	15
Connecting the Propane Tank	16
Disconnecting the Propane Tank	16
Heater Lighting Instructions	17
Manually Lighting Using a Match	17
Maintenance	18
Troubleshooting	19
Warranty	20

IMPORTANT SAFETY INFORMATION:

Read this manual first before attempting to install or use this heater. Always comply with the warnings and safety instructions contained in this manual to prevent personal injury or property damage.

To view the full line of Dimplex products, visit www.dimplex.com

Conventions used in this manual:

- !** **NOTE:** Procedures and techniques that are considered important enough to emphasize.
- ⚠** **CAUTION:** Procedures and techniques which, if not carefully followed, will result in damage to the equipment.
- ⚠** **WARNING:** Procedures and techniques which, if not carefully followed, will expose the user to the risk of fire, serious injury, or death.

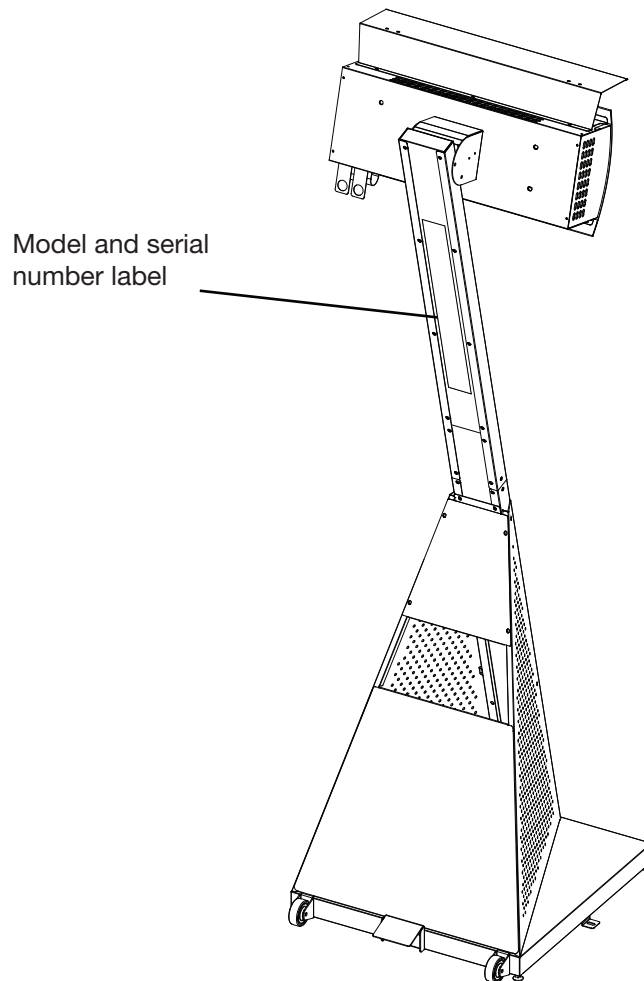
Welcome

Thank you and congratulations for choosing to purchase an Outdoor Infrared Propane Heater.

Please record your model and serial numbers for future reference. These can be found on the model and serial number label on your heater.

Model _____ MOD _____

Serial Number _____



Model and serial
number label

STOP NO NEED TO RETURN TO THE STORE

If you have questions regarding the operation of this product or if you require service, before returning this product to the place of purchase,

Contact us at:  www.dimplex.com/customer_support

For Troubleshooting and Technical Support

OR  **Toll-Free 1-888-346-7539**

Please have your model number and product serial number ready.

IMPORTANT INSTRUCTIONS

Liquid Propane (LP) Use and Safety

1. LP Gas heater DGR32PLP is designed for use with a standard 20 lb. Liquid Propane Gas (LP Gas) tank, not included with the heater. Never connect your gas heater to an LP Gas tank that exceeds this capacity. A tank of approximately 12 inches in diameter by 18 ½ inches high is the maximum size LP Gas tank to use. You must use an “OPD” gas tank which offers a listed Overfill Prevention Device. This safety feature prevents the tank from being overfilled which can cause a malfunction of the LP Gas tank, regulator and/or heater.
2. The LP Gas tank must be constructed and marked in accordance with the Specifications for LP-gas cylinders of the U.S. Department of Transportation (DOT); or the Standard for Cylinders, Spheres and Tubes for Transportation of Dangerous Goods and Commission, CSA B339, as applicable.
3. The LP Gas tank must have a shutoff valve, terminating in an LP Gas supply tank valve outlet, that is compatible with a Type 1 tank connection device. The LP Gas tank must also have a safety relief device that has a direct connection with the vapor space of the tank.
4. The tank supply system must be arranged for vapor withdrawal.
5. The LP Gas tank must have a collar to protect the tank valve. If the collar is damaged in any way, the tank must be replaced prior to using the heater.
6. Never connect an unregulated LP gas tank to your gas heater. The gas regulator assembly supplied with your gas heater is adjusted to have an outlet pressure of 11" water column (W.C.) for connection to an LP gas tank. Only use the regulator and hose assembly supplied with your gas heater.
7. Replacement regulators and hose assemblies must be those specified by the Manufacturer.
8. Have your LP Gas dealer check the release valve after every filling to ensure it remains free of defects.
9. Always keep LP Gas tank in upright position.
10. Do not subject the LP Gas tank to excessive heat.
11. If you store your gas heater in the garage always disconnect the LP Gas tank first and store it safely outside.
12. Never store an LP Gas tank indoors. LP Gas tanks must be stored outdoors in a well-ventilated area and out of the reach of children.
13. Do not store a spare LP Gas tank under or near this appliance; Never fill the cylinder beyond 80 percent full.

WARNING

- Do NOT store or use gasoline or other flammable liquids and vapors within 6 ½ feet (2 m) of this appliance.
- Do NOT use this outdoor heater near automobiles, trucks, vans or recreational vehicles.
- Do NOT use this outdoor heater under any overhead or near any unprotected combustible materials. Avoid using near or under overhanging trees and shrubs.
- Always use this outdoor heater on a hard, level, surface.
- Children and adults should be alerted to the hazards of high surface temperatures and should stay away to avoid burns or clothing ignition.
- Young children should be carefully supervised when they are in the area of the heater.

WARNING

- LPG heater models must be used with Liquid Propane Gas and the regulator assembly supplied. Natural Gas models must be used with Natural Gas only. Any attempt to convert the heater from one fuel type to another is extremely hazardous and will void the warranty.
- Never disconnect the gas regulator or any gas fitting while your heater is lit. A lit heater can ignite leaking gas and cause a fire or explosion which could result in property damage, personal injury or death.
- Keep gas regulator hose away from hot surfaces. Avoid unnecessary twisting of hose. Visually inspect hose prior to each use for cuts, cracks, excessive wear or other damage. If the hose appears damaged do not use the gas heater. Contact Dimplex Technical Support for an authorized replacement hose.

WARNING

Hot while in operation. Do not touch.
Keep children, clothing, furniture, gasoline and other liquids having flammable vapors away.

IMPORTANT INSTRUCTIONS

Heater Installation Codes

The installation must conform with local codes or, in the absence of local codes, with either the National Fuel Gas Code, ANSI Z223.1/NFPA 54, Natural Gas and Propane Installation Code, CSA B149.1, or Propane Storage and Handling Code, B149.2.

Liquid Propane (LP) Pressure

The gas manifold supply pressure must be regulated at 11" water column using the supplied regulator. The minimum inlet pressure to the regulator from the tank is 10 psi and maximum pressure is 150 psi.

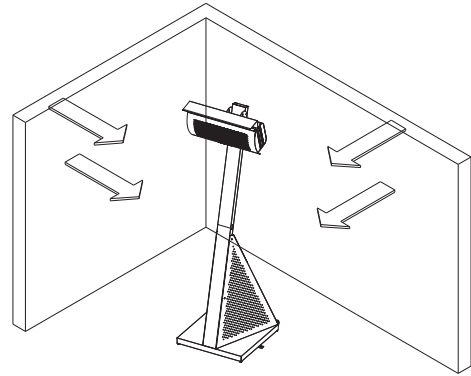
Replacement Parts

Use only Dimplex replacement parts. The use of any part that is not a Dimplex replacement part can be dangerous and will also void your product warranty.

WARNING

Never use your gas heater in a garage, porch, shed, breezeway or any other enclosed area.

Never obstruct the flow of ventilation air around your gas heater housing.



WARNING

Failure to comply with these instructions could result in a fire or explosion that could cause serious bodily injury, death or property damage.

Before using this gas appliance read all instructions and perform all gas leak-check procedures even if the product was pre-assembled by the retailer or manufacturer.

SAVE THESE INSTRUCTIONS

⚠ IMPORTANT INSTRUCTIONS

- This appliance is for outdoor use only.
- This appliance must be placed on level firm ground.
- This appliance shall only be used in an above ground open-air situation with natural ventilation, without stagnant areas, where gas leakage and products of combustion are rapidly dispersed by wind and natural convection.
- Any enclosure in which the appliance is used shall comply with one of the following:
 1. An enclosure with walls on all sides, but at least one permanent opening at ground level.
 2. Within a partial enclosure that includes an overhead cover and no more than two walls.
 3. Within a partial enclosure that includes an overhead cover and more than two walls, the following shall apply:
 - At least 25% of the total wall area is completely open.
 - At least 30% of the remaining wall area is open and unrestricted.
 - In the case of balconies, at least 20% of the total wall area shall be and remain open and unrestricted.

Figure 1 shows examples of outdoor areas. These same principles apply to any other shaped area.

Figure 1

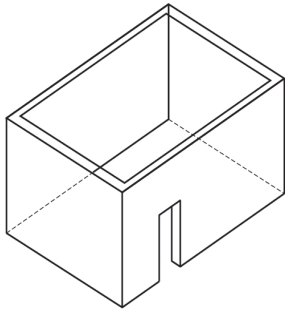


Figure 1a - Outdoor Area Example 1
Walls on all sides, one permanent opening

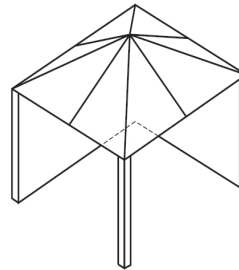
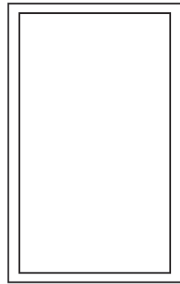


Figure 1b - Outdoor Area Example 2
Partial enclosure with overhead cover

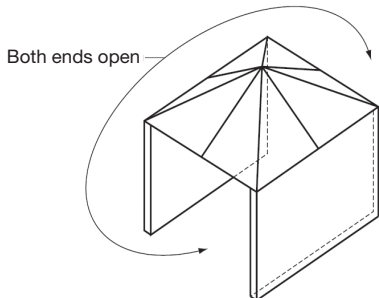
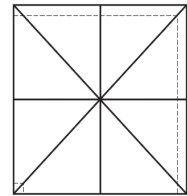


Figure 1c - Outdoor Area Example 3
Partial enclosure with overhead cover

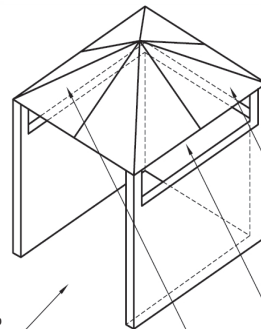
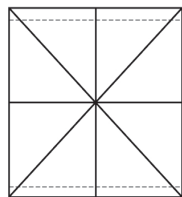
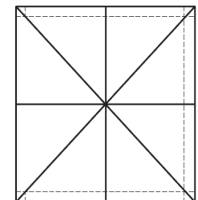


Figure 1d - Outdoor Area Example 4
Partial enclosure with overhead cover, more than two walls



Open side at least 25% of total wall area

30% or more in total of the remaining wall area is open and unrestricted

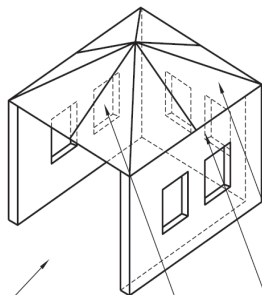
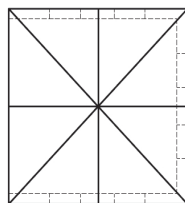



Figure 1e - Outdoor Area Example 5
Partial enclosure with overhead cover, more than two walls



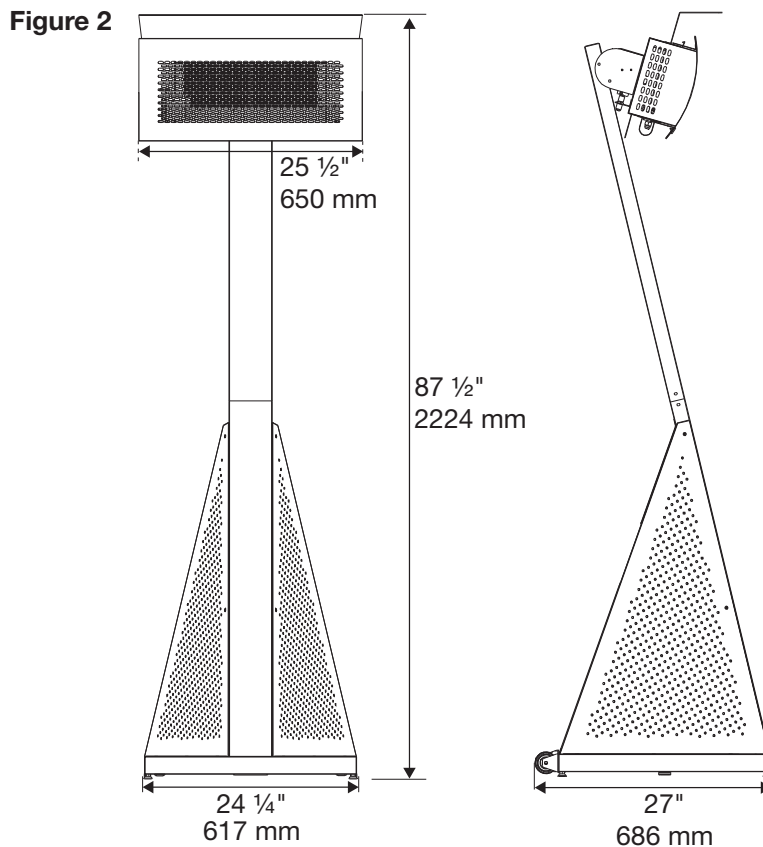
Open side at least 25% of total wall area

30% or more in total of the remaining wall area is open and unrestricted

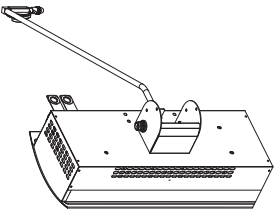
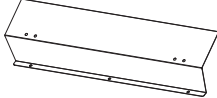
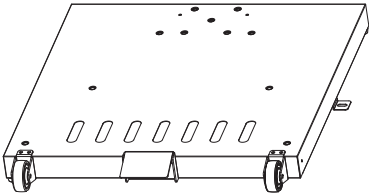
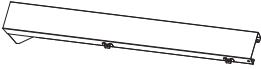


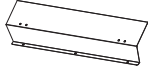
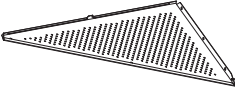
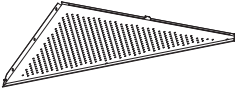

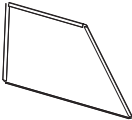
Technical Specifications

Model	DGR32PLP
Heater Type	Outdoor Infrared Propane Heater
Gas Type	Propane
Test Point Pressure	2.74 kPa
Nominal Gas Consumption	31,500 BTU/hr
Injector Size	0.84 mm*4
Gas Cylinder Connection	QCC1
Hose Connection	5/8"-18 UNF (3/8" SAE)
Product Dimensions	25 1/2" x 87 1/2" x 27" (650 mm x 2224 mm x 686 mm)
Weight	70.5 lb (32 kg)
Approvals	ETL Listed File 5014095 
Country of Manufacture	China


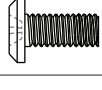
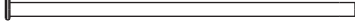

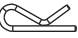

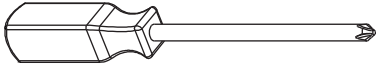

Product Dimensions



Package Contents

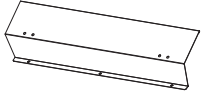

Image	Description	Quantity
CARTON 1		
	Heater Head with Regulator and Hose	1
	Heat Deflector	1
CARTON 2		
	Base Assembly	1
	Lower Post	1
	Upper Post	1
	Center Post	1
	Heat Deflector	1
	Left Side Panel	1
	Right Side Panel	1
	Upper Rear Panel	1
	Lower Rear Panel	1

Package Contents

Hardware			
A		Pan Head Screw M6 x 10mm	29
B		Pan Head Screw M5 x 10mm	7
C		Pin 6 x 150mm	1
D		Bolt M6 x 150mm	1
E		R Cotter Pin	1
F		Wing Nut M6	1
		Screwdriver	1
G		AA Battery	1

Accessories

Please contact your dealer to purchase these accessories if they are required for your installation.

Image	Accessory Model	Description
	DGRSHIELD	Available for low clearance mounting, providing 12" (30.5 cm) overhead clearance
	TGHCOVER	Cover protects the heater and stand from elements when not in use.

Installation

⚠ RISK OF FIRE/ EXPLOSION

- This heater should not be used in potentially explosive atmospheres.
- Do not use in areas where gasoline, paint, or flammable liquids are used or stored.
- Installation minimum clearances specified in this manual must be followed.
- The heater must be installed in accordance with the manufacturer's installation instructions.

Minimum Clearances

This appliance must only be used in a well ventilated area. The heater should not be installed:

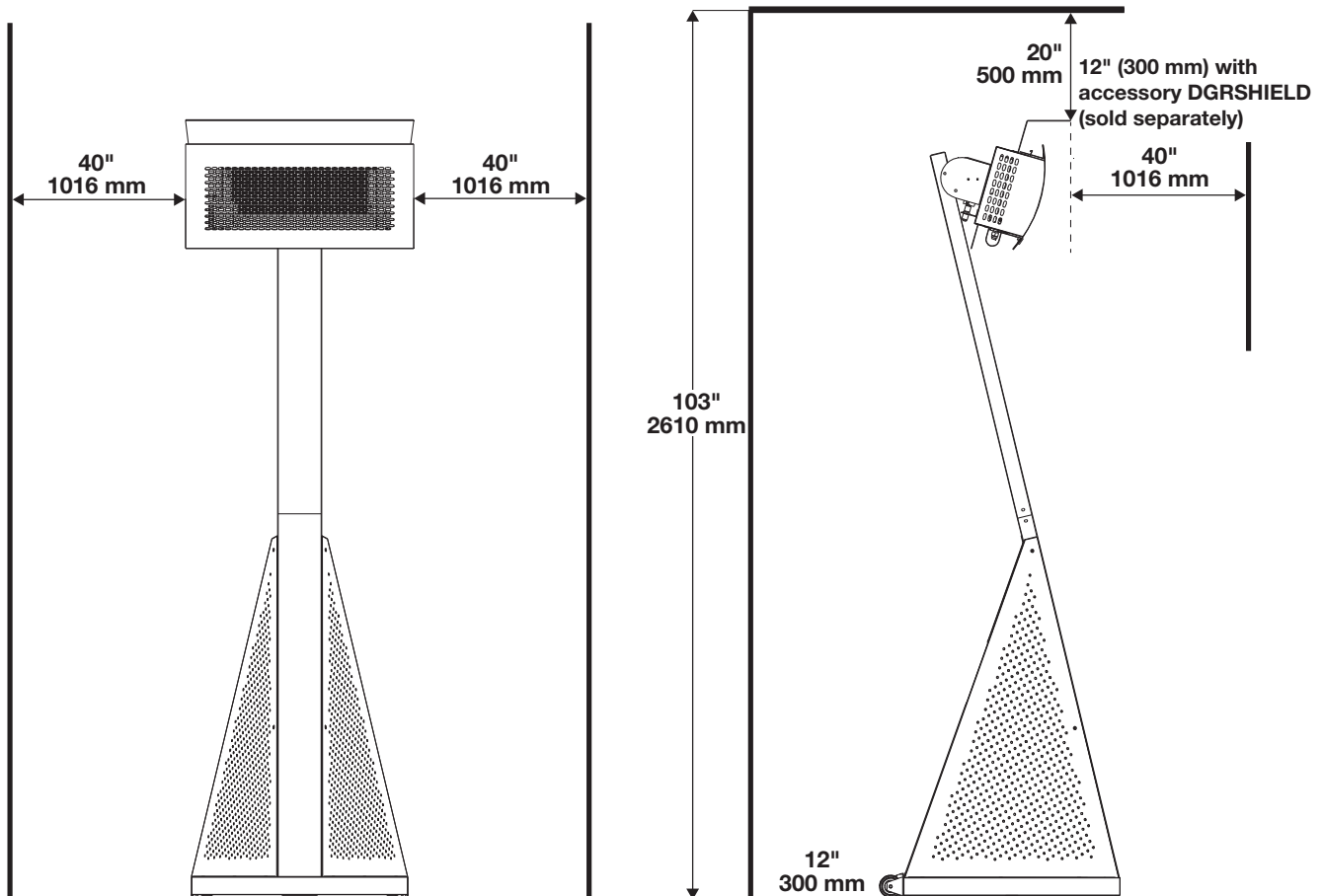
- Where heat ignition can cause damage to gas cylinders/lines.
- Near other combustible materials.
- In open locations subject to harsh weather elements such as rain or snow.

Heater should be installed to allow adequate:

- Clearance around air openings to combustion chamber.
- Clearance from combustible material.
- Provisions for accessibility and clearance for combustion and ventilating air supply.

Figure 3 shows the required clearances around the heater. All dimensions shown are minimum values. These minimum clearances represent conditions under which, during normal operation of the heater, surface temperatures of up to 117 °F (65 °C) above room temperature may be generated on adjacent wall, floor, and ceiling surfaces. It is the responsibility of the installer to ensure that adjacent materials with lower heat tolerance (such as vinyl siding, fabrics, some plastics) are protected to prevent damage or degradation.

Figure 3



Installation

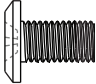
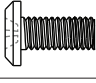





Read and perform the following pre-assembly instructions:

1. You will need assistance from another person to handle the heater and other large, heavy parts.
2. Open cartons and remove parts box and packing materials. Lay cardboard sheet on floor and use as a work surface to protect floor and heater parts from scratches.
3. Consult the *Package Contents* section to ensure all items are included and free of damage.
4. Do not assemble or operate the heater if it appears damaged. If there are damaged or missing parts when you unpack the cartons, contact Technical Support.

Required Tools

- Protective Work Gloves
- Protective Eyewear
- Phillips Head Screwdriver

Hardware References

A	
B	
C	
D	
E	
F	
G	

Installation

1 Install the lower post

1. Insert 2 x hardware **A** into the 2 threaded holes closest to the front of the base. Tighten them half way.
2. Align the lower post over the 2 screws, and secure the lower post to the base using 3 x hardware **A**.
3. Tighten all the screws.

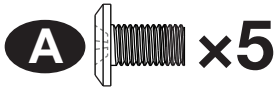
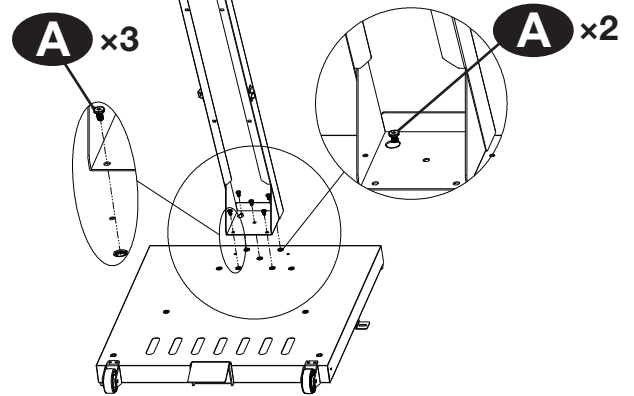


Figure 4

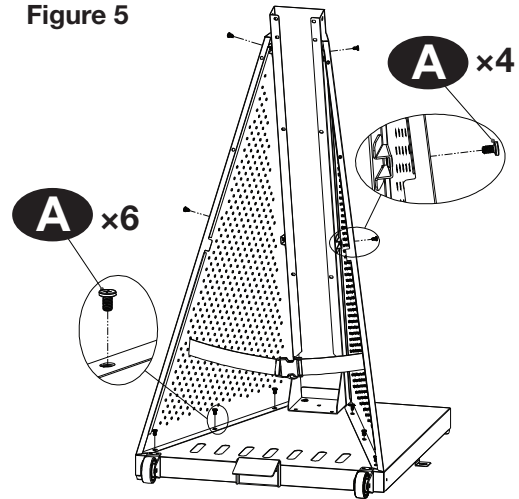


2 Install the side panels

1. Position the two side panels onto the base.
2. Secure the left side panel to the lower post using 2 x hardware **A**.
3. Secure the left side panel to the base using 3 x hardware **A**.
4. Repeat the same procedure for the right side panel.

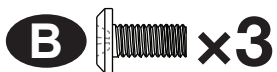


Figure 5



3 Install the heat deflector and battery

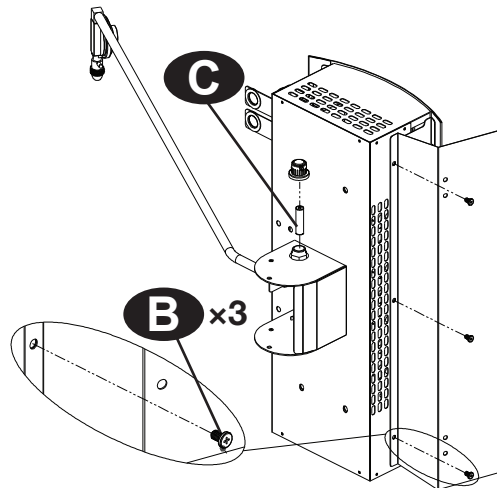
1. Secure the heat deflector to the head assembly using 3 x hardware **B**.
2. Insert the battery in the battery compartment.



If installing optional heat shield DGRSHIELD (sold separately):

3. Secure the DGRSHIELD to the included heat deflector using the 4 bolts provided in the accessory kit.

Figure 6



Installation

4 Assembling the upper assembly

1. Lay the upper assembly on a non-abrasive surface, such as the carton or a table. Remove the 8 pre-installed screws from the back panel of the upper post. These are identical to hardware **A**. (Figure 7)
2. Insert the regulator with hose through the upper post. (Figure 8)
3. Re-install the back panel of the upper post. (Figure 9)
4. Insert the middle post in the upper post and secure it using 6 x hardware **A**. (Figure 9)
5. Secure the heater to the upper post using hardware **D**, **E**, **F**, and **G** as shown. (Figure 10)

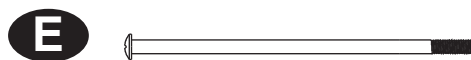
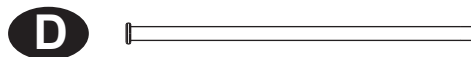
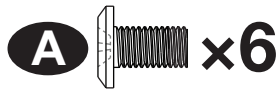


Figure 7

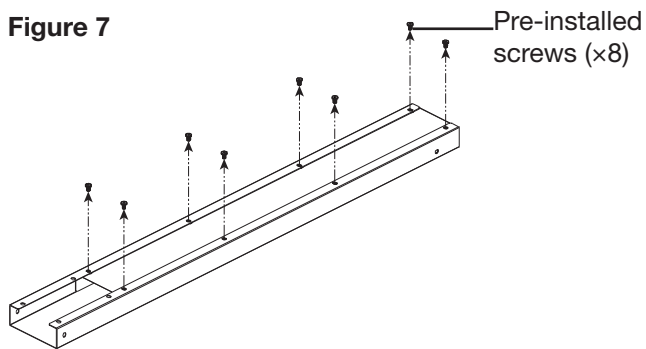


Figure 8

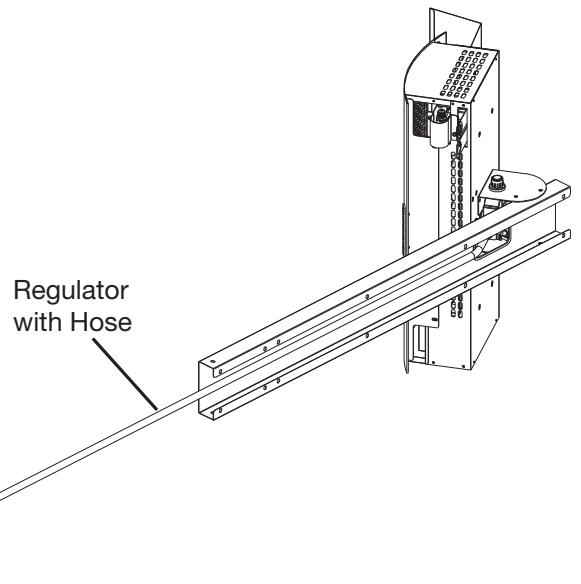


Figure 9

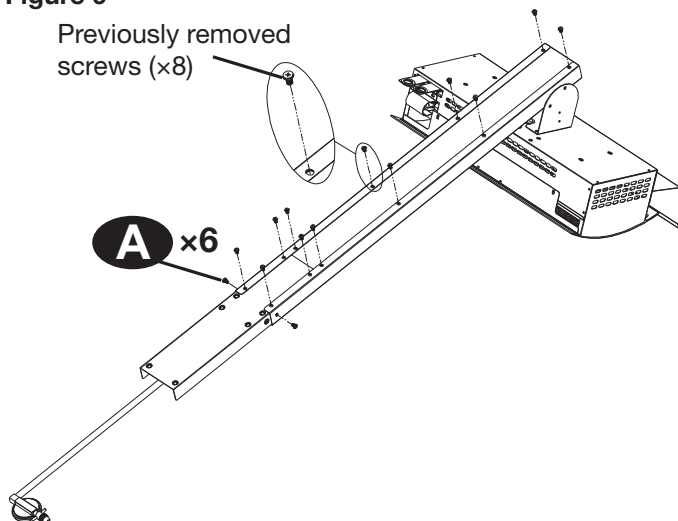
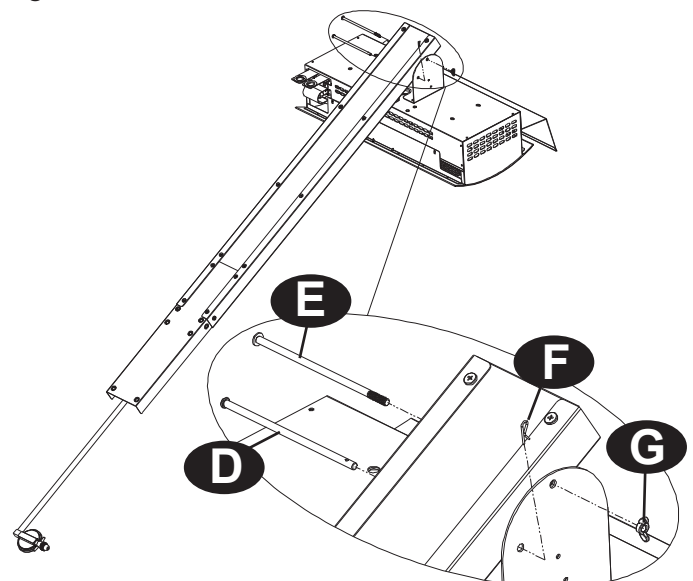


Figure 10



Installation

5 Install Post Connector

1. Align the post in the upper assembly with the lower post.
2. Secure using 6 x hardware **A**.

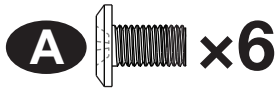
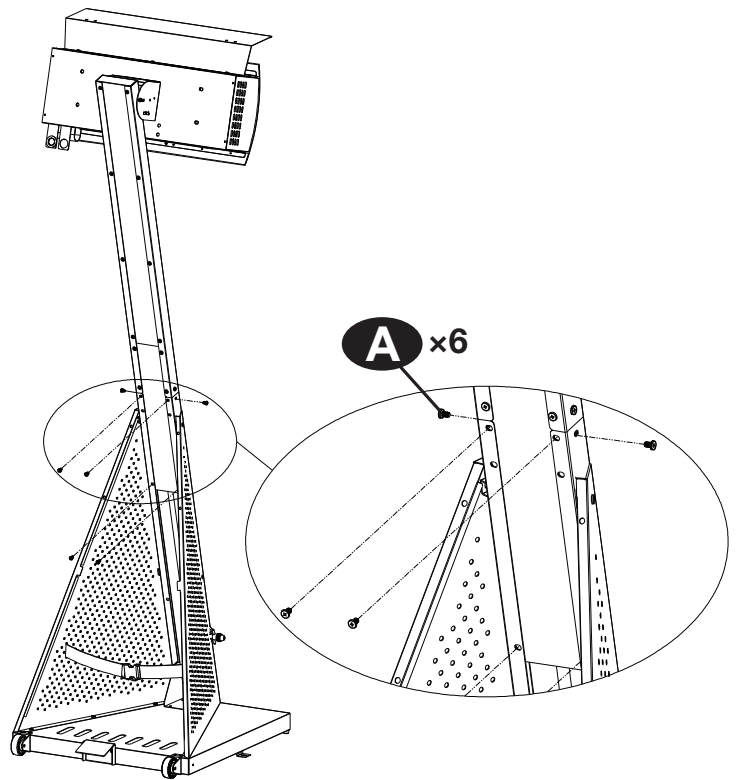


Figure 11



6 Install rear panels

1. Secure the upper rear panel to the lower post using 2 x hardware **A**.
2. Secure the upper rear panel to the side panels using 4 x hardware **B**.
3. Position the lower rear panel over the propane tank compartment.

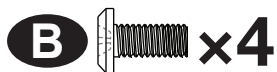
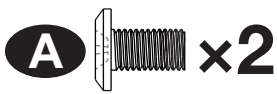
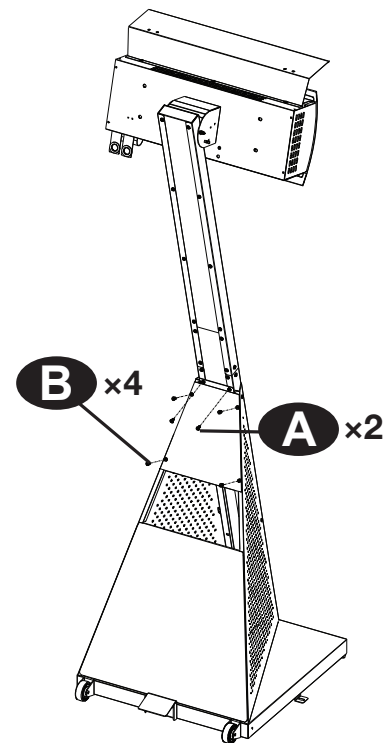



Figure 12



WARNING

- **Failure to read and follow the Operation instructions could result in a fire or explosion that could cause serious bodily injury, death or property damage.**
- If you have a gas leak that cannot be repaired by tightening, turn off the gas at the source, disconnect fuel line from your heater and call Technical Support or your gas supplier for assistance.
- Inspect the heater and connections before each use. You should perform periodic maintenance and cleaning on the heater (refer to *Maintenance* section.) The heater should be inspected and serviced annually by a qualified technician.

Checking for Gas Leaks

 **WARNING:** Never test for leaks with an open flame.

Prior to first use, at the beginning of each season, or every time your LP Gas tank is changed, you must check for gas leaks. Follow these three steps:

1. Make a soap solution by mixing one part liquid detergent and four parts water. (Figure 13)
2. Pull the OFF trigger to ensure the heater is off. (Figure 18)
3. Turn on gas at source. (Figure 14)
4. Apply the soap solution to all visible gas connections. If bubbles appear in the soap solution the connections are not properly sealed. Check each fitting and tighten or repair as necessary. (Figure 15)

Figure 13

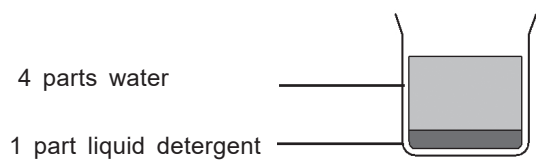


Figure 14

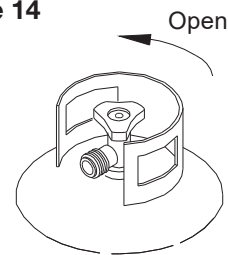
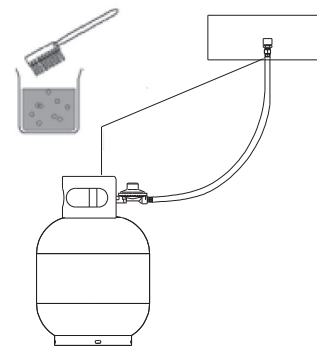


Figure 15



Connecting the Propane Tank

You will need a 20-lb propane (LPG) tank to fuel this heater.

1. Pull the OFF trigger to ensure the heater is off (**Figure 18**) and ensure the propane tank valve is fully closed.
2. Inspect the valve connection port and regulator assembly for damage or debris. Remove any debris.

⚠ WARNING: Never use damaged or clogged equipment.

3. Connect the regulator assembly to the tank valve and **HAND TIGHTEN** nut clockwise to a full stop.

⚠ WARNING: DO NOT use a wrench to tighten, as it could damage the quick coupling nut and result in a gas leak/fire hazard.

4. Open the tank valve 1/4 to 1/2 (counterclockwise).
5. Follow the instructions for *Checking for Gas Leaks* on page 15. If a leak is found, turn the tank valve off and do not use your heater until the leak is repaired.

⚠ CAUTION: When the heater is not in use, the gas must be turned off at the tank. Place dust cap on cylinder valve outlet whenever the cylinder is not in use. Only install the type of dust cap on the cylinder valve outlet that is provided with the cylinder valve. Other types of caps or plugs may result in leakage of propane.

6. Open the lower rear panel and unfasten the tank securing strap. Position the propane tank securely in the propane tank holder and secure it using the tank securing strap. Close the lower rear panel.

Disconnecting the Propane Tank

1. Pull the OFF trigger to ensure the heater is off (**Figure 18**) and ensure the propane tank valve is fully closed.
2. Disconnect the hose and regulator assembly from the propane tank valve by turning the quick coupling nut counterclockwise.

⚠ WARNING: DO NOT use a wrench, as it could damage the quick coupling nut and result in a gas leak/fire hazard.

Figure 16

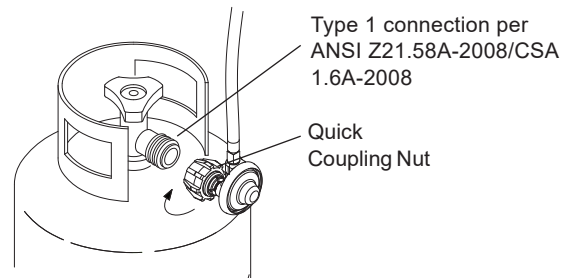
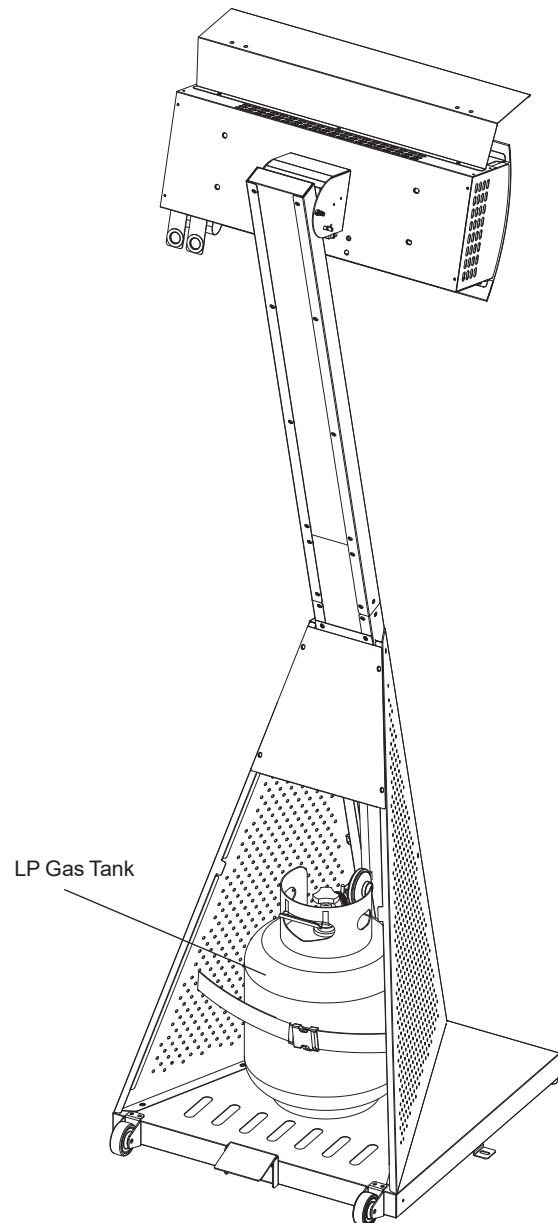


Figure 17



WARNING

- **Before each use:**
 - Inspect the heater for nests or other debris that could ignite to avoid the risk of fire, serious injury, or death.
 - Check all hoses for cracks, nicks, cuts, burns or abrasions. If a hose is damaged in any way, do not use your heater before replacing the hose with an authorized part from the Parts List. Failure to replace a faulty hose, secure gas supply connections before proceeding to the *Heater Lighting Instructions* could result in a fire or explosion that could cause serious bodily injury, death, or property damage.
 - Also make sure all gas supply connections are securely tightened.
- Familiarize yourself with the safety and Operation instructions in this manual. Do not smoke while lighting heater or checking gas supply connections.
- Always light the heater standing to the side of the heater, never light the heater standing in front.

Heater Lighting Instructions

1. Pull the OFF trigger to ensure the heater is off (**Figure 18**) and ensure the propane tank valve is fully closed.
2. Open the propane tank valve. (**Figure 19**)
3. Pull the ON trigger on the heater continuously for 10 seconds. A “click” will be heard.
! **NOTE:** Once the pilot flame is established, keep pulling the ON trigger for 10 seconds to ensure that the burner remains lit.
4. If the burner does not ignite, turn the propane tank off, and pull the OFF trigger. Wait at least 5 minutes for gas to clear, then retry. If your heater still fails to light, turn the heater and propane tank OFF. Wait 5 minutes for gas to clear and then follow the instructions for *Checking for Gas Leaks* on page 15. If no leaks are detected, repeat the lighting procedure.
5. When the heater is not in use, pull the OFF trigger and close the propane tank valve.

Figure 18

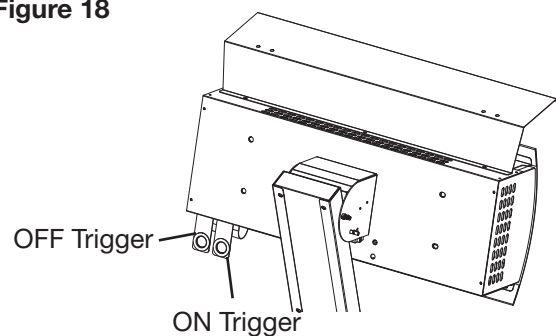
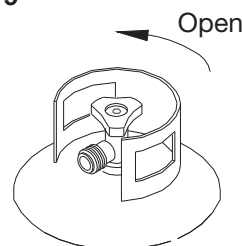


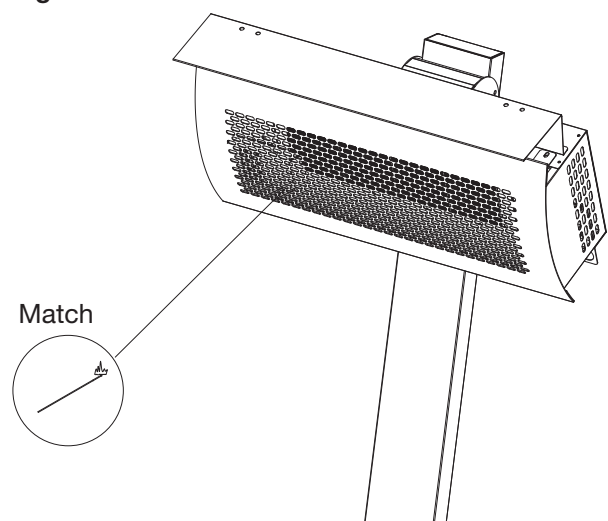
Figure 19



Manually Lighting Using a Match

1. Pull the OFF trigger to ensure the heater is off (**Figure 18**) and ensure the propane tank valve is fully closed.
2. Use a long reach match or insert a match into a match stick holder, then open the propane tank. (**Figure 19**)
3. Light the match and place the lit match through the protective guard to the burner. (**Figure 20**)
4. Pull the ON trigger on the heater continuously for 10 seconds. A “click” will be heard.
! **NOTE:** Once the pilot flame is established, keep pulling the ON trigger for 10 seconds to ensure that the burner remains lit.

Figure 20



Maintenance

WARNING

- Disconnect the propane tank before cleaning or servicing.
- Do not attempt to service or clean heater while unit is operating. Ensure the heater is OFF and cool before cleaning.
- To avoid the risk of burn or injury wait a minimum of 30 minutes for the heater to cool before attempting to clean or service.
- There are no user-serviceable parts inside the heater. Any servicing other than cleaning of the heater should be performed by an authorized service representative.
- Never immerse the appliance in water!
- Any guard or protective device removed from cleaning or servicing the heater must be replaced prior to operating the heater.

Cleaning the Heater

Ensure the propane tank is turned off and the heater has cooled completely before cleaning the unit.

Use a damp cloth or sponge and a solution of mild soap and warm water to clean the exterior painted surfaces of the heater. Do not use any abrasive or caustic cleaning agents or materials.

Ensure the appliance is dried after cleaning to prevent rusting. It is recommended the heater be operated after cleaning to ensure the appliance is dry.

It is recommended that you clean the heater every 3 months to maintain optimal function and appearance of the heater. Additional cleaning and maintenance is recommended if the heater is installed in a corrosive environment or exposed to chemicals in the atmosphere such as those from cigarette smoke and pollution to prevent wear and tarnish of the heater.

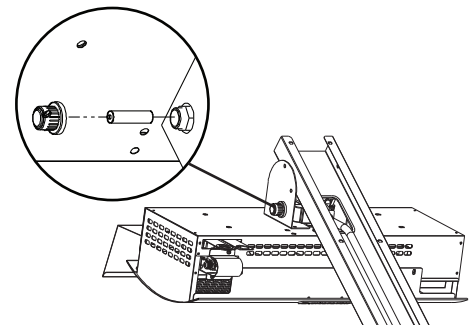
Igniter Battery Replacement

1. Unscrew the battery cover to open the battery compartment.
2. Install 1 AA battery in the battery compartment.
3. Close the battery cover.



Battery must be recycled or disposed of properly. Check with your Local Authority or Retailer for recycling advice in your area.

Figure 21



Troubleshooting

⚠ WARNING: There are no user serviceable parts inside the heater. Any servicing other than cleaning of the heater should be performed by an authorized service representative.

PROBLEM	CAUSE	SOLUTION
Pilot or main burner will not light	Propane tank closed	Open propane tank valve
	Propane tank empty	Replace with a full propane tank
	Igniter not sparking	Replace battery
		Repair lead, electrode, or piezo
	Air in gas line	Purge gas line
Blockage in gas line	Trace back and clear	
Main burner will not light fully	Insufficient propane	Install full propane tank
	Poor propane supply	Trace supply back to source, clear where necessary
	Gas control inoperative	Inspect valve, rectify
Flame is yellow	Check gas pressure	Adjust as required
	Check injector	Clean if necessary
	Check venturi for dust	Clean if necessary
	Check burner ports for blockage	Clean if necessary

Warranty

One-Year Residential Limited Warranty

Products to which this limited warranty applies

This limited warranty applies to your newly purchased Outdoor Radiant Propane Gas Heater. This limited warranty applies only to purchases made in any province of Canada except for Yukon Territory, Nunavut, or Northwest Territories or in any of the 50 States of the USA (and the District of Columbia) except for Hawaii and Alaska. This limited warranty applies to the original purchaser of the product only and is not transferable.

Products excluded from this limited warranty

IR Halogen Heating Elements are not covered by this limited warranty and are the sole responsibility of the owner/purchaser. Products purchased in Yukon Territory, Nunavut, Northwest Territories, Hawaii, or Alaska are not covered by this limited warranty. Products purchased in these States, provinces, or territories are sold AS IS without warranty or condition of any kind (including, without limitation, any implied warranties or conditions of merchantability or fitness for a particular purpose) and the entire risk of as to the quality and performance of the products is with the purchaser, and in the event of a defect the purchaser assumes the entire cost of all necessary servicing or repair.

What this limited warranty covers and for how long

Products covered by this limited warranty have been tested and inspected prior to shipment and, subject to the provisions of this warranty, Glen Dimplex Americas Ltd. (Glen Dimplex Americas herein) warrants such products to be free from defects in material and workmanship for a period of 12 months from the date of the first purchase of such product.

The limited 12-month warranty period also applies to any implied warranties that may exist under applicable law. Some jurisdictions do not allow limitations on how long an implied warranty lasts, so the above limitation may not apply to the purchaser.

What this limited warranty does not cover

This limited warranty does not apply to products that have been repaired (except by Glen Dimplex Americas or its authorized service representatives) or otherwise altered. This limited warranty does further not apply to defects resulting from misuse, abuse, accident, neglect, incorrect installation, improper maintenance or handling, or operation with an incorrect fuel source.

This limited warranty does not cover breakage of burner tiles, rust and discoloration due to heat or corrosive environments, damage or failure due to incorrect installation of gas supply, and any damage or loss attributable to failure to provide adequate ventilation for the product.

What you must do to get service under this limited warranty

Defects must be brought to the attention of Technical Service by contacting them at www.dimplex.com/contact_us or by calling 1-888-346-7539. Please have proof of purchase, catalogue/model and serial numbers available when calling. Limited warranty service requires a proof of purchase of the product.

What Glen Dimplex Americas will do in the event of a defect

In the event a product or part covered by this limited warranty is proven to be defective in material or workmanship during the 12-month limited warranty period you have the following rights:

- Glen Dimplex Americas will in its sole discretion either repair or replace such defective product or part without charge. If Glen Dimplex Americas is unable to repair or replace such product or part, or if repair or replacement is not commercially practicable or cannot be timely made, Glen Dimplex Americas may, in lieu of repair or replacement, choose to refund the purchase price for such product or part.
- Limited warranty service will be performed solely by dealers or service agents of Glen Dimplex Americas authorized to provide limited warranty services.
- The purchaser is responsible for removal and transportation of such product or part (and any repaired or replacement product or part) to and from the authorized dealer's or service agent's place of business.
- This limited warranty does not entitle the purchaser to on-site or in-home services. On-site or in-home services may be performed at the purchaser's specific request and expense at Glen Dimplex Americas then-current rates for such services.
- Glen Dimplex Americas will not be responsible for, and the limited warranty services shall not include, any expense incurred for installation or removal of the product or part (or any replacement product or part) or any labour or transportation costs. Such costs shall be the purchaser's responsibility.

How State and Provincial law apply

This limited warranty gives you specific legal rights, and you may also have other rights which vary from jurisdiction to jurisdiction. The provisions of the United Nations Convention on Contracts for the Sale of Goods shall not apply to this limited warranty or the sale of products covered by this limited warranty.

What Glen Dimplex Americas and its dealers and service agents are also not responsible for:

IN NO EVENT WILL GLEN DIMPLEX AMERICAS, OR ITS DIRECTORS, OFFICERS, OR AGENTS, BE LIABLE TO THE PURCHASER OR ANY THIRD PARTY, WHETHER IN CONTRACT, IN TORT, OR ON ANY OTHER BASIS, FOR ANY INDIRECT, SPECIAL, PUNITIVE, EXEMPLARY, CONSEQUENTIAL, OR INCIDENTAL LOSS, COST, OR DAMAGE ARISING OUT OF OR IN CONNECTION WITH THE SALE, MAINTENANCE, USE, OR INABILITY TO USE THE PRODUCT,

EVEN IF GLEN DIMPLEX AMERICAS OR ITS DIRECTORS, OFFICERS, OR AGENTS HAVE BEEN ADVISED OF THE POSSIBILITY OF SUCH LOSSES, COSTS OR DAMAGES, OR IF SUCH LOSSES, COSTS, OR DAMAGES ARE FORESEEABLE. IN NO EVENT WILL GLEN DIMPLEX AMERICAS, OR ITS OFFICERS, DIRECTORS, OR AGENTS BE LIABLE FOR ANY DIRECT LOSSES, COSTS, OR DAMAGES THAT EXCEED THE PURCHASE PRICE OF THE PRODUCT.

SOME JURISDICTIONS DO NOT ALLOW THE EXCLUSION OR LIMITATION OF INCIDENTAL OR CONSEQUENTIAL DAMAGES, SO THE ABOVE LIMITATION OR EXCLUSION MAY NOT APPLY TO THE PURCHASER.

We value your feedback!

Your input helps to create even better products and experiences.

Share the warmth and leave a review.

dimplex.com/sharethewarmth

 [YouTube/Dimplex](https://www.youtube.com/Dimplex) 



1-888-346-7539 | www.dimplex.com

In keeping with our policy of continuous product improvement, we reserve the right to make changes without notice.

© 2021 Glen Dimplex Americas

 A BRAND OF GLEN DIMPLEX AMERICAS

Guide d'installation et d'utilisation

DANGER

En cas d'odeur de gaz :

1. Couper l'alimentation en gaz de l'appareil.
2. Éteindre toute flamme nue.
3. Si l'odeur persiste, se tenir éloigné de l'appareil et communiquer immédiatement avec le fournisseur de gaz ou le service d'incendie.

DANGER

Éviter de conserver ou d'utiliser de l'essence ou d'autres gaz et liquides inflammables à proximité de cet appareil ou de tout autre appareil.

Une bouteille de propane liquide qui n'est pas raccordée en vue de son utilisation ne doit pas être entreposée à proximité de cet appareil ou de tout autre appareil.

AVERTISSEMENT

POUR UNE UTILISATION À
L'EXTÉRIEUR SEULEMENT.

L'appareil doit être protégé de la pluie.

AVERTISSEMENT

Une installation, un réglage, une modification, une réparation ou un entretien incorrects peuvent entraîner des dommages matériels, des blessures ou la mort. Lire attentivement les instructions d'installation, d'utilisation et d'entretien avant d'installer ou de réparer cet appareil.

INSTALLATEUR : Laisser ce manuel à proximité de l'appareil.

CONSOMMATEUR : Conserver ce manuel à des fins de consultation ultérieure.



Intertek
5014095

Vos commentaires sont précieux !

Votre contribution aide à créer des produits et des expériences encore meilleurs.

Transmettez de la chaleur et laissez un commentaire.

dimplex.com/sharethewarmth

 [YouTube / Dimplex](https://www.youtube.com/Dimplex) 

Table des matières

Bienvenue	3
⚠️ CONSIGNES DE SÉCURITÉ	4
Gaz propane liquide (GPL) utilisation et sécurité	4
Spécifications techniques	7
Dimensions du produit	7
Contenu de l'emballage	8
Accessoires	9
Installation	10
Dégagements minimaux	10
Utilisation	15
Vérification de la présence de fuites de gaz	15
Raccorder la bouteille de propane	16
Retirer la bouteille de propane	17
Instructions d'allumage du radiateur	18
Allumage manuel à l'aide d'une allumette	18
Entretien	19
Nettoyage du radiateur	19
Remplacement de la pile du dispositif d'allumage	19
Dépannage	20
Garantie	21

CONSIGNES DE SÉCURITÉ IMPORTANTES :

Toujours lire le présent manuel avant d'essayer d'installer ou d'utiliser ce foyer. Pour votre sécurité, toujours respecter tous les avertissements et suivre les consignes de sécurité compris dans le présent manuel afin de prévenir les blessures ou les dommages matériels.

Pour découvrir la gamme complète de produits Dimplex, visiter www.dimplex.com

Conventions utilisées dans ce manuel :

! **NOTE** : Marches à suivre et techniques considérées suffisamment importantes pour qu'on les souligne.

⚠️ **MISE EN GARDE** : Marches à suivre et techniques dont le non-respect pourrait causer des dommages matériels.

⚠️ **AVERTISSEMENT** : Marches à suivre et techniques qui, si elles ne sont pas bien respectées, exposeront l'utilisateur à des risques d'incendie, de blessure grave ou de décès.

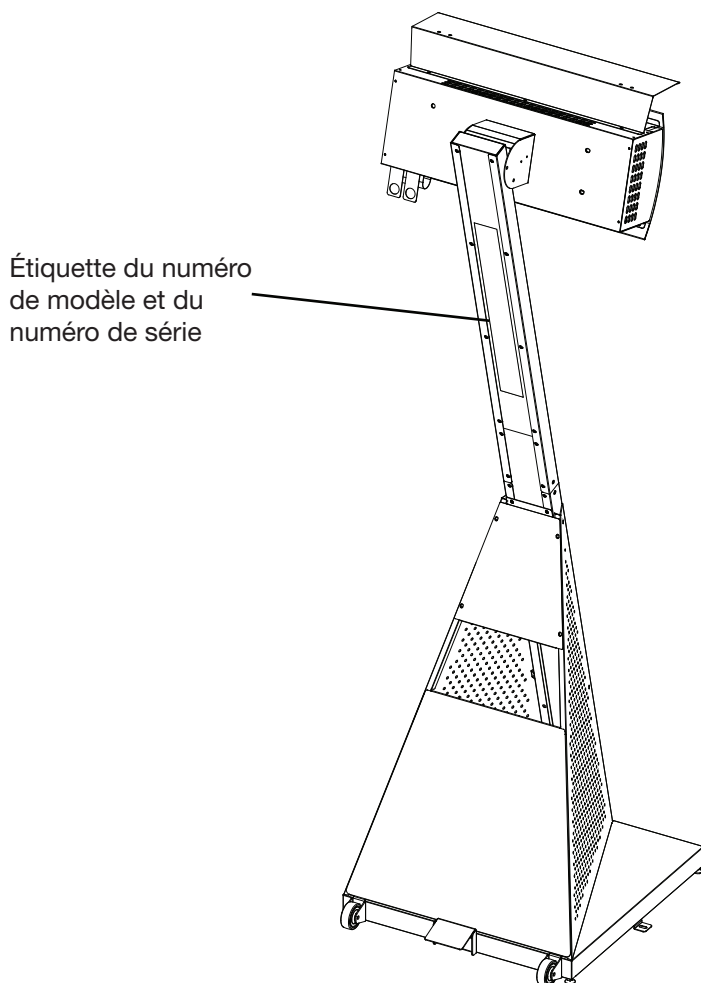
Bienvenue

Merci et félicitations d'avoir acheté un radiateur extérieur au propane.

Veillez prendre en note les numéros de modèle et de série du foyer à des fins de consultation ultérieure. Ceux-ci se trouvent sur l'étiquette du numéro de modèle et du numéro de série de l'appareil.

Modèle _____ MOD _____

Numéro de série _____



IL N'EST PAS NÉCESSAIRE D'ALLER AU MAGASIN

Des questions à propos de l'utilisation ou du montage ?
Besoin d'information sur les pièces ? Besoin d'information à propos d'un produit sous une garantie du fabricant ?

Communiquer avec nous à :  www.dimplex.com/customer_support
pour le dépannage et le Service d'assistance technique

OU  **sans frais au 1 888 346-7539**

Afin que nous puissions mieux vous servir, veuillez avoir votre modèle et votre numéro de série à portée de main.

CONSIGNES DE SÉCURITÉ

Gaz propane liquide (GPL) utilisation et sécurité

1. Le radiateur au gaz propane liquide (DGR32PLP) est conçu pour une utilisation avec une bouteille de gaz propane liquide standard (GPL) de 20 lb (9 kg), qui n'est pas comprise avec le radiateur. Ne jamais raccorder le radiateur au gaz à une bouteille de GPL qui dépasse cette capacité. La bouteille de GPL utilisée doit avoir une taille maximale d'environ 12 pouces (30 centimètres) de diamètre et 18 ½ pouces (47 centimètres) de hauteur. La bouteille de gaz doit être munie d'un dispositif de protection du trop-plein (DPTP). Cette caractéristique de sécurité empêche la bouteille d'être trop remplie, ce qui pourrait entraîner une défaillance de la bouteille de GPL, de son régulateur et/ou du radiateur.
2. La bouteille de GPL doit être fabriquée et étiquetée conformément aux spécifications pour les bouteilles de GPL du département des Transports des États-Unis ou à la norme CSA B339 sur les bouteilles à gaz cylindriques et sphériques et tubes pour le transport des marchandises dangereuses.
3. La bouteille de GPL doit disposer d'une valve d'arrêt se terminant par une sortie de robinet d'alimentation en GPL compatible avec un dispositif de raccord de type 1. Elle doit également être dotée d'un dispositif de sécurité directement raccordé à l'espace de vapeur dans la bouteille.
4. Le système d'alimentation de la bouteille doit être conçu pour dégager la vapeur.
5. La bouteille de GPL doit être munie d'une bague de protection pour la valve. Si la bague de protection est endommagée de quelque façon que ce soit, la bouteille doit être remplacée avant d'utiliser le radiateur.
6. Ne jamais raccorder une bouteille de GPL non réglementée au radiateur au gaz. L'ensemble de régulateur de gaz fourni avec le radiateur au gaz est ajusté pour avoir une pression de sortie de 11 pouces (27,94 centimètres) de colonne d'eau (CE) pour le raccordement à une bouteille de GPL. Utiliser seulement l'ensemble de régulateur et de tuyau fourni avec le radiateur au gaz.
7. Les ensembles de régulateur et de tuyau de rechange doivent être ceux qui sont précisés par le fabricant.
8. Demander au fournisseur de GPL de vérifier la soupape de surpression après chaque remplissage pour s'assurer qu'elle demeure exempte de défauts.
9. La bouteille de GPL doit toujours rester en position verticale.
10. Ne pas exposer la bouteille de GPL à une chaleur excessive.
11. Si le radiateur au gaz est entreposé dans le garage, toujours retirer d'abord la bouteille de GPL et l'entreposer en toute sécurité à l'extérieur.
12. Ne jamais entreposer la bouteille de GPL à l'intérieur. Les bouteilles de GPL doivent être entreposées à l'extérieur, dans un endroit bien aéré et hors de la portée des enfants.
13. Ne pas entreposer une bouteille de GPL de rechange en dessous ou à proximité de l'appareil. Ne jamais remplir la bouteille au-delà de 80 % de sa capacité.



AVERTISSEMENT

- Ne PAS entreposer ou utiliser de l'essence ou d'autres liquides et gaz inflammables à moins de 6 ½ pieds (2 mètres) de cet appareil.
- Ne PAS utiliser cet appareil de chauffage extérieur à proximité d'automobiles, de camions, de fourgonnettes ou de véhicules récréatifs.
- Ne PAS utiliser cet appareil de chauffage près ou sous des matériaux combustibles non protégés. Éviter d'utiliser le radiateur près ou sous des arbres ou des arbustes en surplomb.
- Toujours utiliser cet appareil de chauffage extérieur sur une surface dure et de niveau.
- Les enfants et les adultes doivent être informés des dangers que présentent les surfaces chauffées à haute température et ne pas s'en approcher afin d'éviter toute brûlure de la peau ou des vêtements.
- Les jeunes enfants doivent être surveillés attentivement lorsqu'ils se trouvent au même endroit que le radiateur.



AVERTISSEMENT

- Les appareils de chauffage au GPL doivent être utilisés avec du gaz propane liquide et l'ensemble de régulateur fourni. Les appareils de chauffage au gaz naturel doivent être utilisés seulement avec du gaz naturel. Toute tentative de convertir le radiateur en un appareil utilisant un autre type de combustible est extrêmement dangereuse et annulera la garantie.
- Ne jamais retirer le régulateur de gaz ou tout autre raccord de gaz lorsque le radiateur est allumé. Un appareil de chauffage allumé peut enflammer du gaz qui a fui et provoquer un incendie ou une explosion pouvant entraîner des dommages matériels, des blessures ou la mort.
- Garder le tuyau régulateur de gaz à l'écart des surfaces chaudes. Éviter toute torsion inutile du tuyau. Inspecter visuellement le tuyau avant chaque utilisation pour s'assurer qu'il est exempt de coupures, de fissures, de signes d'usure excessive ou d'autres dommages. Ne pas utiliser le radiateur au gaz si le tuyau semble endommagé. Communiquer avec le Service d'assistance technique de Dimplex pour obtenir un tuyau de rechange autorisé.



AVERTISSEMENT

L'appareil est chaud lorsqu'il est en marche. Ne pas toucher l'appareil.

Tenir les enfants, les vêtements, les meubles, l'essence et les autres liquides et gaz inflammables loin de l'appareil.

⚠️ CONSIGNES DE SÉCURITÉ

Codes d'installation du radiateur

L'appareil doit être installé conformément aux codes locaux ou, en l'absence de codes locaux, au National Fuel Gas Code (ANSI Z223.1/NFPA 54), au Code d'installation du gaz naturel et du propane (CSA B149.1) ou au Code sur le stockage et la manipulation du propane (CSA B149.2).

Pression du gaz propane liquide (GPL)

La pression de la rampe d'alimentation en gaz doit être réglée à 11 po CE à l'aide du régulateur fourni. La pression d'entrée minimale du régulateur à partir de la bouteille est de 10 lb/po² (69 kPa) et la pression maximale, de 150 lb/po² (1034 kPa).

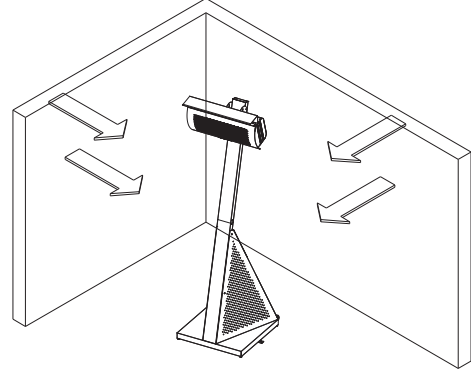
Pièces de rechange

Utiliser seulement des pièces de rechange Dimplex. L'utilisation de toute pièce qui n'est pas une pièce de rechange Dimplex peut être dangereuse et annulera la garantie du produit.

⚠️ AVERTISSEMENT

Ne jamais utiliser le radiateur au gaz dans un garage, une véranda, une remise, un passage couvert ou tout autre espace clos.

Ne jamais obstruer la circulation de l'air de ventilation autour du boîtier du radiateur au gaz.



⚠️ AVERTISSEMENT

Le non-respect de ces instructions pourrait entraîner un incendie ou une explosion et causer des blessures graves, voire mortelles, ou des dommages matériels.

Avant d'utiliser cet appareil au gaz, lire l'ensemble des instructions et suivre toutes les procédures de vérification de la présence de fuites de gaz, même si le produit a été préassemblé par le détaillant ou le fabricant.

CONSERVER CES INSTRUCTIONS

⚠️ CONSIGNES DE SÉCURITÉ

- Cet appareil doit être utilisé à l'extérieur seulement.
- Cet appareil doit être placé sur un sol ferme et de niveau.
- Cet appareil doit être utilisé seulement au-dessus du sol, dans un endroit ouvert qui bénéficie d'une ventilation naturelle et d'une circulation d'air constante, et où les fuites de gaz et les produits de combustion sont rapidement dispersés par le vent et la convection naturelle.
- Tout espace fermé dans lequel l'appareil est utilisé doit être conforme à l'une des conditions suivantes :
 1. Un espace fermé par des murs de tous les côtés, mais doté d'au moins une ouverture permanente au niveau du sol.
 2. Un espace partiellement fermé doté d'un toit et d'un maximum de deux murs.
 3. Un espace partiellement fermé doté d'un toit et de plus de deux murs, et pour lequel les règles suivantes s'appliquent :
 - Au moins 25 % de la surface murale totale est complètement ouverte.
 - Au moins 30 % de la surface murale restante est ouverte et dégagée.
 - Dans le cas des balcons, au moins 20 % de la surface murale totale doit demeurer ouverte et dégagée.

La Figure 1 montre des exemples d'espaces extérieurs. Ces mêmes principes s'appliquent à tout autre espace délimité.

Figure 1

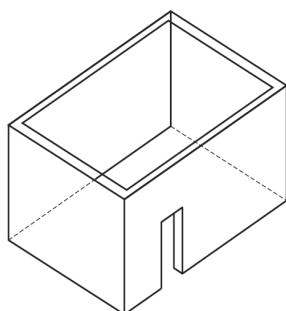


Figure 1a – Exemple d'espace extérieur 1
Murs de tous les côtés, une ouverture permanente

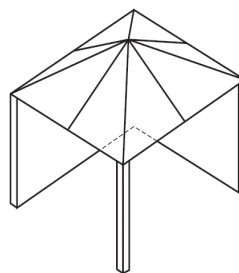
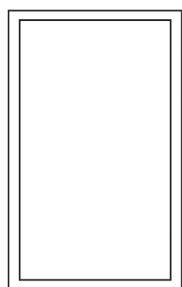
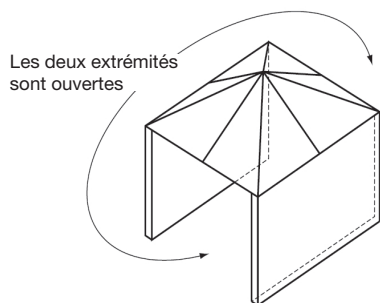
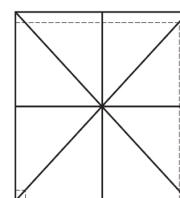
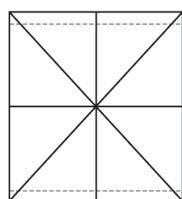


Figure 1b – Exemple d'espace extérieur 2
Espace partiellement fermé doté d'un toit

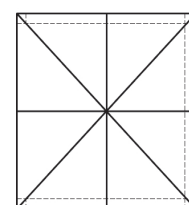
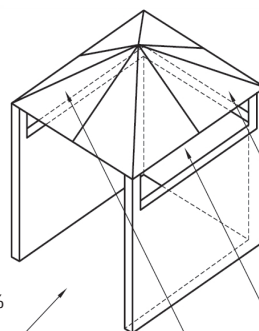


Les deux extrémités
sont ouvertes

Figure 1c – Exemple d'espace extérieur 3
Espace partiellement fermé doté d'un toit

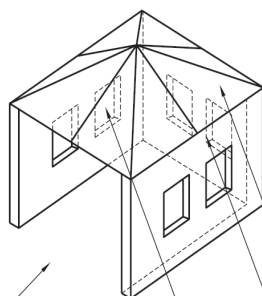


Au moins 25 %
de la surface
murale totale
est ouverte sur
le côté

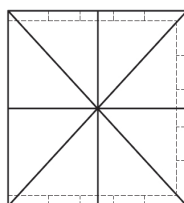


Au total, au moins 30 % de
la surface murale restante
est ouverte et dégagée

Figure 1d – Exemple d'espace extérieur 4
Espace partiellement fermé doté d'un toit et de plus de
deux murs




Au moins 25 %
de la surface
murale totale
est ouverte sur
le côté



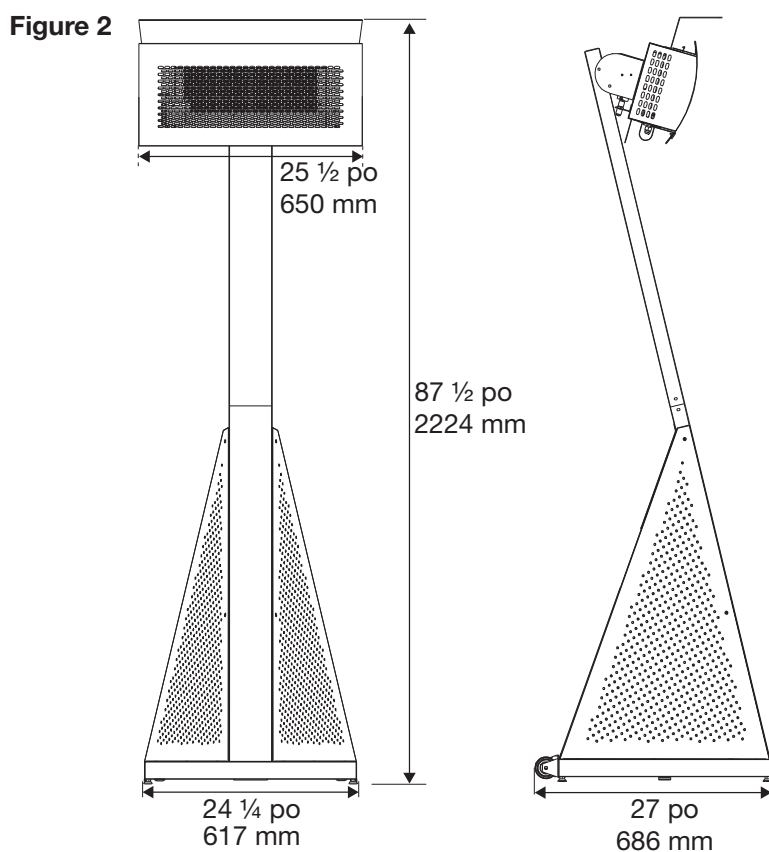
Au total, au moins 30 % de
la surface murale restante
est ouverte et dégagée

Figure 1e – Exemple d'espace extérieur 5
Espace partiellement fermé doté d'un toit et de plus de deux murs

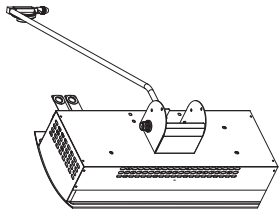
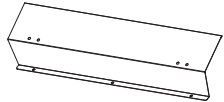
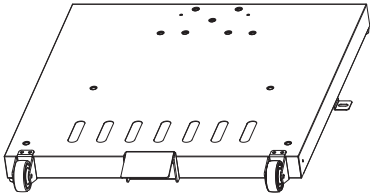


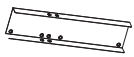

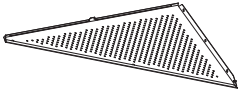
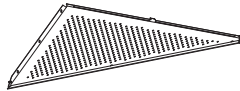

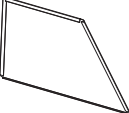
Spécifications techniques

Modèle	DGR32PLP
Type d'appareil de chauffage	Radiateur extérieur au propane
Type de gaz	Propane
Pression au point de test	2,74 kPa
Consommation nominale de gaz	31 500 BTU/hr
Taille de l'injecteur	0,84 mm*4
Raccord de la bouteille de gaz	QCC1
Raccord du tuyau	5/8 po (16 mm)-filetage UNF : 18 (SAE : 3/8 po [9,65 mm])
Dimensions du produit	25 ½ po × 87 ½ po × 27 po (650 mm × 2224 mm × 686 mm)
Poids	70,5 lb (32 kg)
Homologations	Homologué ETL Dossier 5014095 
Pays de fabrication	Chine

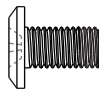
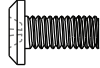
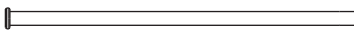
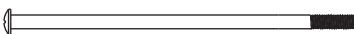


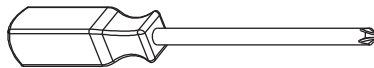
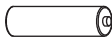
Dimensions du produit



Contenu de l'emballage

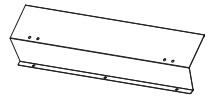

Image	Description	Quantité
EMBALLAGE 1		
	Tête de chauffage avec régulateur et tuyau	1
	Déflecteur de chaleur	1
EMBALLAGE 2		
	Ensemble de base	1
	Montant inférieur	1
	Montant supérieur	1
	Montant central	1
	Déflecteur de chaleur	1
	Panneau latéral gauche	1
	Panneau latéral droit	1
	Panneau arrière supérieur	1
	Panneau arrière inférieur	1

Contenu de l'emballage

Quincaillerie			
A		Vis à tête cylindrique bombée M6 x 10 mm	29
B		Vis à tête cylindrique bombée M5 x 10 mm	7
C		Goupille 6 x 150 mm	1
D		Boulon M6 x 150 mm	1
E		Goupille fendue en forme de R	1
F		Écrou à oreilles M6	1
		Tournevis	1
G		Pile AA	1

Accessoires

Communiquer avec le détaillant pour acheter ces accessoires s'ils sont requis pour l'installation.

Image	Article	Description
	DGRSHIELD	Bouclier thermique protecteur pour une sécurité accrue pour les installations à faible dégagement
	TGHCOVER	Une couverture qui protège le support du radiateur des éléments

⚠ RISQUE D'INCENDIE/D'EXPLOSION

- Cet appareil de chauffage ne doit pas être utilisé dans un endroit à atmosphère potentiellement explosive.
- Ne pas faire fonctionner l'appareil dans des endroits où de l'essence, de la peinture ou des liquides inflammables sont utilisés ou entreposés.
- Les dégagements minimaux indiqués dans ce manuel doivent être respectés au moment de l'installation.
- Le radiateur doit être installé conformément aux instructions d'installation du fabricant.

Dégagements minimaux

Cet appareil doit être utilisé seulement dans un endroit bien aéré. Le radiateur ne doit pas être installé :

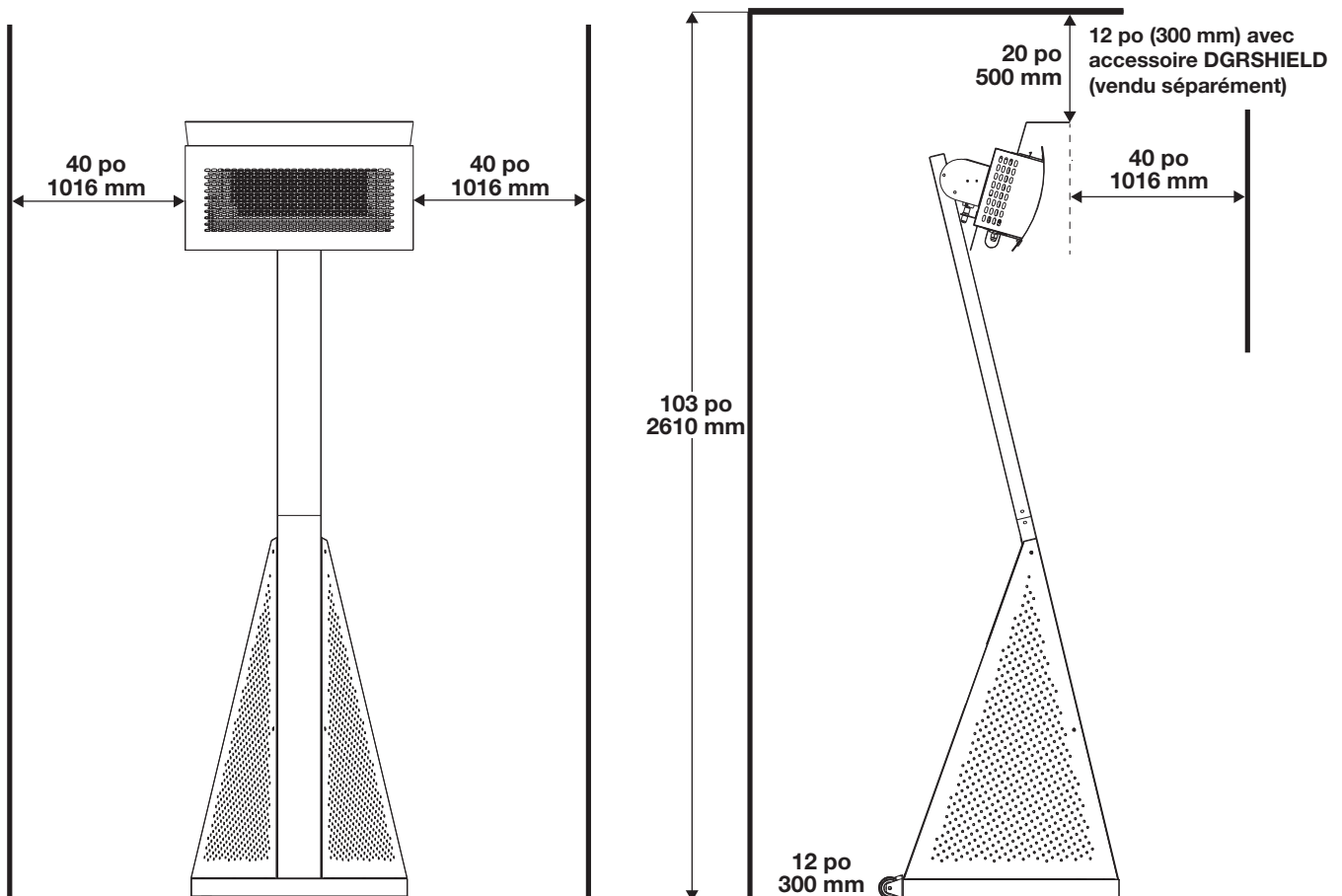
- dans des endroits où l'inflammation peut endommager les bouteilles/conduites de gaz;
- à proximité d'autres matériaux combustibles;
- dans des endroits ouverts exposés aux intempéries tel que la pluie et la neige.

Le radiateur doit être installé de façon à permettre adéquatement :

- un dégagement autour des ouvertures d'air de la chambre de combustion;
- un dégagement par rapport au matériau combustible;
- les dispositions relatives à l'accessibilité et au dégagement pour la combustion et l'alimentation en air.

Figure 3 montre les dégagements requis autour du radiateur. Toutes les dimensions indiquées sont des valeurs minimales. Ces dégagements minimaux représentent les conditions dans lesquelles, pendant le fonctionnement normal de l'appareil de chauffage, des températures de surface allant jusqu'à 117 °F (65 °C) au-dessus de la température ambiante peuvent être générées sur la surface des murs, du sol et du plafond adjacents. L'installateur est responsable de s'assurer que les matériaux adjacents avec une faible tolérance à la chaleur (tels que du revêtement de vinyle, du tissu, certains plastiques) sont protégés pour éviter les dommages ou la dégradation.

Figure 3



Installation

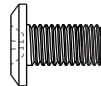
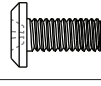

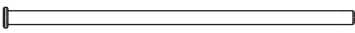
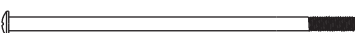
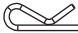

Lire et appliquer les instructions de préassemblage suivantes :

1. L'aide d'une autre personne sera nécessaire pour manipuler le radiateur et d'autres pièces volumineuses et lourdes.
2. Ouvrir l'emballage et retirer la boîte de pièces et les matériaux d'emballage. Déposer une feuille de carton sur le sol et l'utiliser comme surface de travail afin de protéger le plancher et les pièces du radiateur contre les rayures.
3. Consulter la section *Contenu de l'emballage* pour s'assurer que tous les articles sont compris et exempts de dommages.
4. Ne pas assembler ni utiliser le radiateur s'il semble endommagé. Si des pièces sont endommagées ou manquantes lors de l'ouverture de l'emballage, communiquer avec le Service d'assistance technique.

Outils requis

- Gants de travail protecteurs
- Lunettes protectrices
- Tournevis à pointe cruciforme

Références pour les pièces de quincaillerie

A	
B	
C	
D	
E	
F	
G	

Installation

1 Installer le montant inférieur

1. Insérer 2 pièces de quincaillerie **A** dans les 2 trous filetés les plus près de l'avant de la base. Les serrer à moitié.
2. Aligner le montant inférieur sur les 2 vis, puis fixer le montant inférieur à la base à l'aide de 3 pièces de quincaillerie **A**.
3. Serrer toutes les vis.

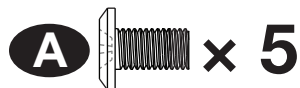
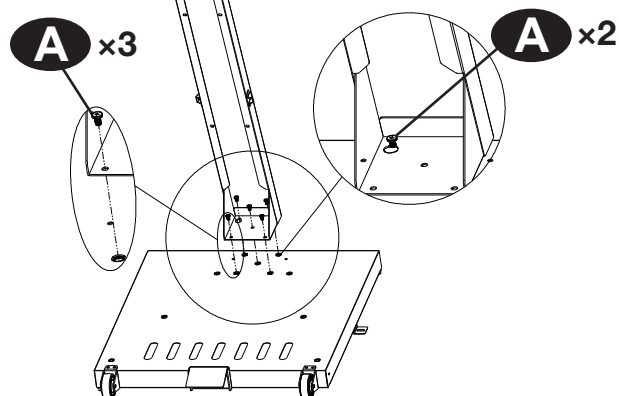


Figure 4



2 Installer les panneaux latéraux

1. Placer les deux panneaux latéraux sur la base.
2. Fixer le panneau latéral gauche au montant inférieur à l'aide de 2 pièces de quincaillerie **A**.
3. Fixer le panneau latéral gauche à la base à l'aide de 3 pièces de quincaillerie **A**.
4. Répéter la même procédure pour le panneau latéral droit.

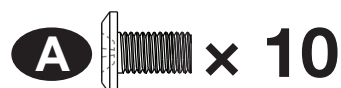
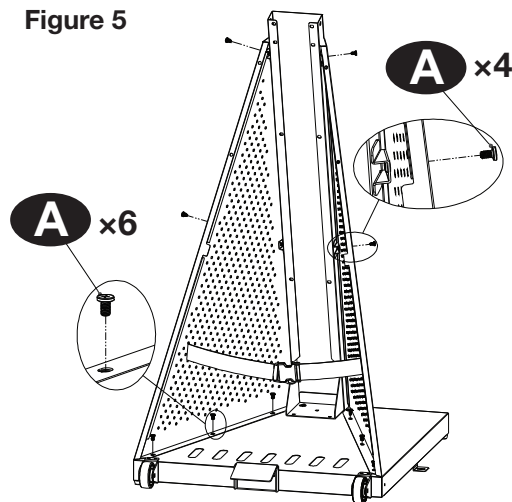
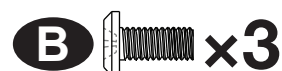


Figure 5



3 Installer le déflecteur de chaleur et la pile

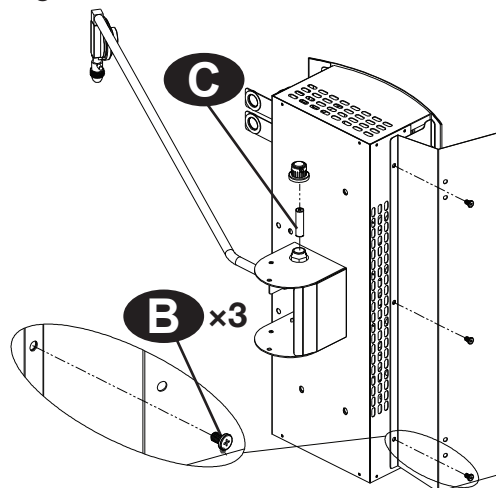
1. Fixer le déflecteur de chaleur à l'ensemble de tête à l'aide de 3 pièces de quincaillerie **B**.
2. Insérer la pile dans le compartiment à pile.



Pour installer le déflecteur de chaleur DGRSHIELD facultatif (vendu séparément) :

3. Fixer l'accessoire DGRSHIELD au déflecteur de chaleur compris à l'aide des 4 boulons fournis dans la trousse d'accessoires.

Figure 6



Installation

4 Assemblage de l'ensemble supérieur

1. Déposer l'ensemble supérieur sur une surface non abrasive, comme un carton ou une table. Retirer les 8 vis préinstallées du panneau arrière du montant supérieur. Elles sont identiques aux pièces de quincaillerie **A**. (Figure 7)
2. Insérer le régulateur avec tuyau dans le montant supérieur. (Figure 8)
3. Réinstaller le panneau arrière du montant supérieur. (Figure 9)
4. Insérer le montant central dans le montant supérieur et le fixer à l'aide de 6 pièces de quincaillerie **A**. (Figure 9)
5. Fixer le radiateur au montant supérieur à l'aide des pièces de quincaillerie **D**, **E**, **F** et **G**, comme indiqué. (Figure 10)

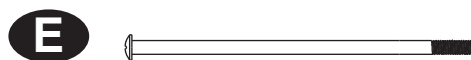
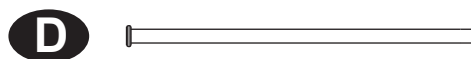
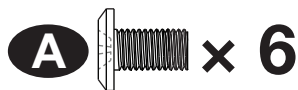


Figure 7

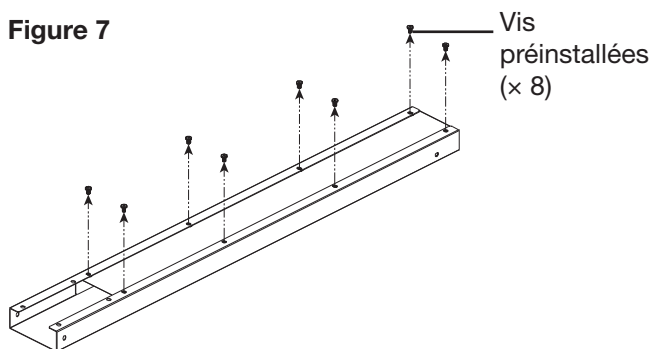


Figure 8

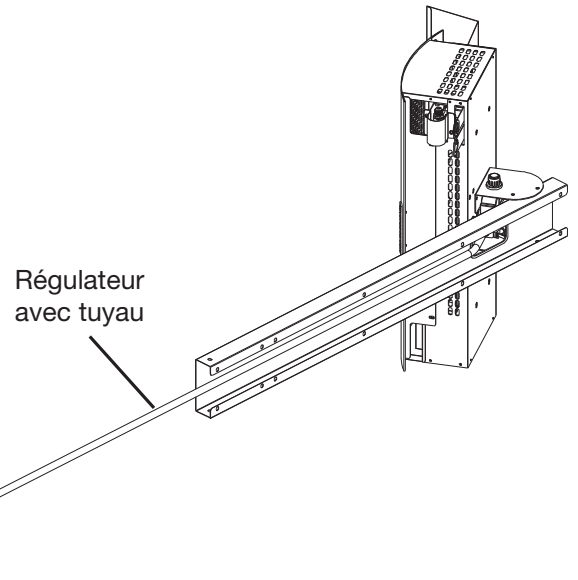


Figure 9

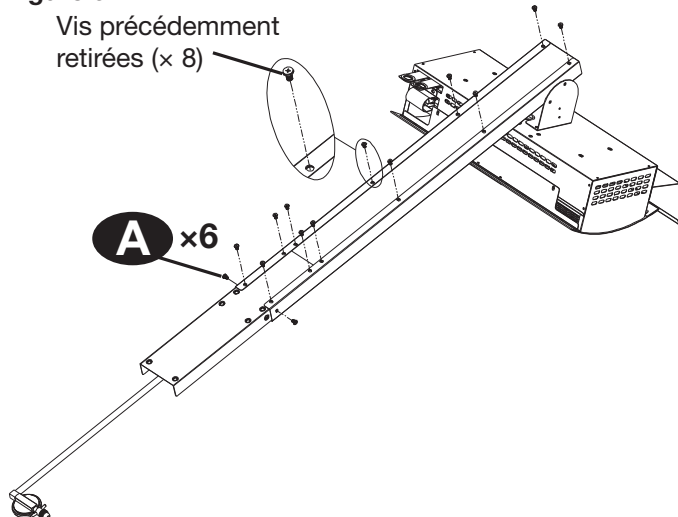
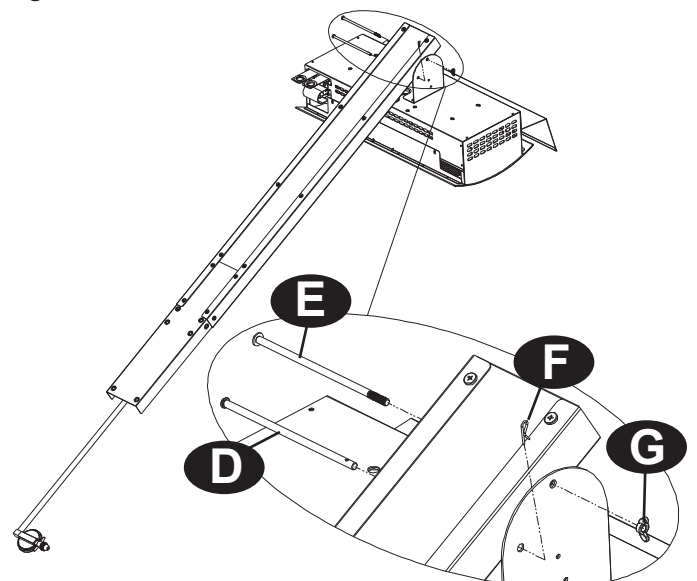


Figure 10



5 Installer le raccord de montant

1. Aligner le montant de l'ensemble supérieur avec le montant inférieur.
2. Les fixer à l'aide de 6 pièces de quincaillerie **A**.

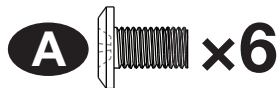
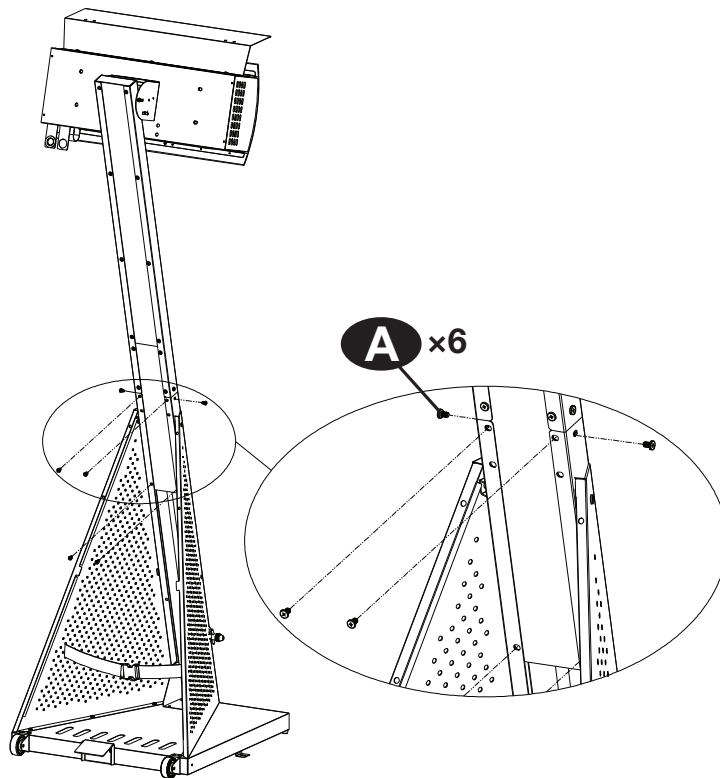


Figure 11



6 Installer les panneaux arrière

1. Fixer le panneau arrière supérieur au montant inférieur à l'aide de 2 pièces de quincaillerie **A**.
2. Fixer le panneau arrière supérieur aux panneaux latéraux à l'aide de 4 pièces de quincaillerie **B**.
3. Placer le panneau arrière inférieur sur le compartiment de la bouteille de propane.

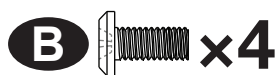
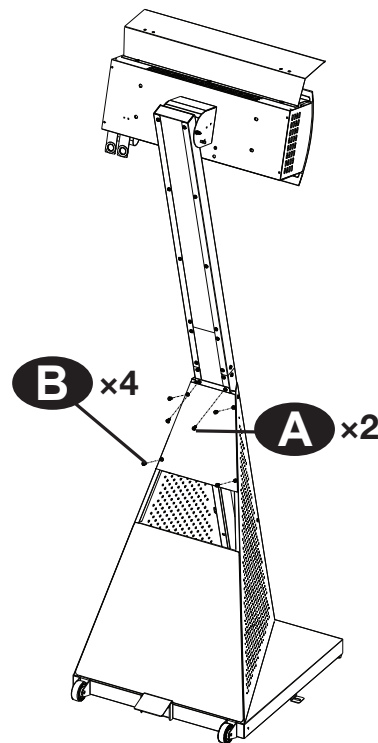


Figure 12



⚠ AVERTISSEMENT

- **Le fait de ne pas lire et suivre les instructions d'utilisation pourrait entraîner un incendie ou une explosion et causer des blessures graves, voire mortelles, ou des dommages matériels.**
- Si une fuite de gaz ne peut être empêchée en resserrant les raccords, couper l'alimentation en gaz à la source, retirer la conduite de gaz du radiateur et téléphoner au Service d'assistance technique ou au fournisseur de gaz pour obtenir de l'aide.
- Inspecter le radiateur et les raccords avant chaque utilisation. Un entretien et un nettoyage périodiques du radiateur devraient être effectués (consulter la section Entretien). Le radiateur doit être inspecté et entretenu au moins une fois par an par un technicien qualifié.

Vérification de la présence de fuites de gaz

⚠ AVERTISSEMENT : Ne jamais utiliser une flamme nue pour vérifier la présence de fuites de gaz.

Avant d'utiliser l'appareil une première fois, au début de chaque saison ou à chaque fois que la bouteille de GPL est changée, il faut vérifier la présence de fuites de gaz. Pour ce faire, suivre ces trois étapes :

1. Préparer une solution savonneuse en mélangeant une partie de détergent liquide avec quatre parties d'eau. (Figure 13)
2. Appuyer sur la gâchette d'arrêt (OFF), puis ouvrir l'alimentation en gaz à la source. (Figure 14)
3. Appliquer la solution savonneuse sur tous les raccords de gaz visibles. Si des bulles se forment dans la solution savonneuse, les raccords ne sont pas scellés correctement. Vérifier tous les raccords, puis les serrer ou les réparer, au besoin. (Figure 15)

Figure 13

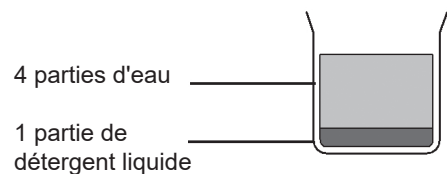


Figure 14

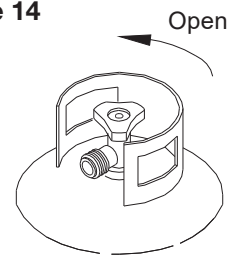
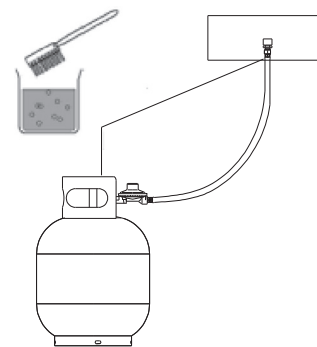


Figure 15



Raccorder la bouteille de propane

Une bouteille de gaz propane liquide (GPL) de 20 lb (9 kg) est nécessaire pour remplir cet appareil de chauffage.

1. Tirer sur la gâchette d'arrêt (OFF) pour s'assurer que le radiateur est éteint. (Figure 18) et vérifier que la valve de la bonbonne de propane est fermée.

2. Inspecter le raccord de la valve et l'ensemble de régulateur pour s'assurer qu'ils sont exempts de dommages et de débris. Retirer tous les débris.

AVERTISSEMENT : Ne jamais utiliser du matériel endommagé ou obstrué.

3. Raccorder l'ensemble de régulateur à la valve de la bouteille et **SERRER À LA MAIN** l'écrou dans le sens horaire jusqu'à l'arrêt complet.

AVERTISSEMENT : NE PAS utiliser une clé pour serrer l'écrou, car cela pourrait endommager l'écrou de raccordement rapide et entraîner une fuite de gaz ou un risque d'incendie.

4. Ouvrir la valve de la bonbonne d'un quart de tour à un demi-tour (dans le sens antihoraire).

5. Suivre les instructions de la section *Vérification de la présence de fuites de gaz* à la page 15. Si une fuite est détectée, fermer la valve de la bouteille et ne pas utiliser le radiateur tant que la fuite n'est pas réparée.

MISE EN GARDE : Lorsque le radiateur n'est pas utilisé, la valve d'alimentation en gaz de la bouteille doit être fermée. Placer un capuchon antipoussière sur la sortie du robinet d'alimentation de la bouteille chaque fois que celle-ci n'est pas utilisée. Utiliser seulement le type de capuchon antipoussière sur la sortie du robinet de la bouteille qui est fourni avec la valve de la bouteille. D'autres types de capuchons ou de bouchons peuvent entraîner une fuite de propane.

6. Ouvrir le panneau arrière inférieur et détacher la sangle de fixation de la bouteille. Placer correctement la bouteille de propane dans le support de la bouteille de propane, puis la fixer à l'aide de la sangle de fixation de la bouteille. Fermer le panneau arrière inférieur.

Figure 16

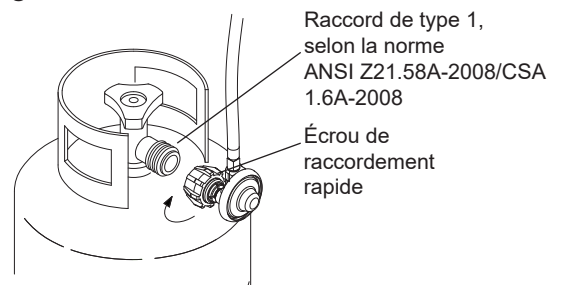
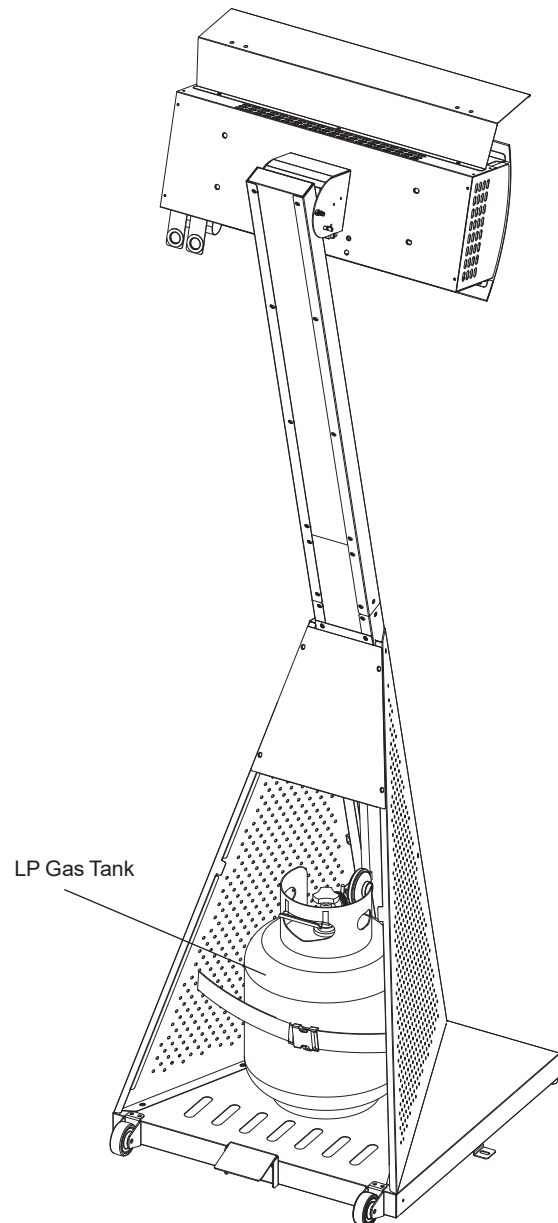


Figure 17



Retirer la bouteille de propane

7. Tirer sur la gâchette d'arrêt (OFF) pour s'assurer que le radiateur est éteint. (Figure 18) et vérifier que la valve de la bonbonne de propane est fermée.
8. Retirer l'ensemble de tuyau et de régulateur de la valve de la bouteille de propane en tournant l'écrou de raccordement rapide dans le sens antihoraire.

⚠ AVERTISSEMENT : NE PAS utiliser une clé pour serrer l'écrou, car cela pourrait endommager l'écrou de raccordement rapide et entraîner une fuite de gaz ou un risque d'incendie.



AVERTISSEMENT

- **Avant chaque utilisation:**
 - Inspecter le radiateur pour s'assurer qu'il est exempt de nids ou d'autres débris qui pourraient s'enflammer afin d'éviter tout risque d'incendie, de blessure grave ou de décès.
 - Vérifier que les tuyaux sont exempts de fissures, de coupures, de brûlures ou de traces d'abrasion. Si un tuyau est endommagé de quelque manière que ce soit, ne pas utiliser le radiateur avant d'avoir remplacé le tuyau par une pièce autorisée dans la liste des pièces. Le fait de ne pas remplacer un tuyau ou des raccords d'alimentation en gaz défectueux avant de suivre les *Instructions d'allumage du radiateur* pourrait entraîner un incendie ou une explosion et causer des blessures graves, voire mortelles, ou des dommages matériels.
 - S'assurer également que tous les raccords d'alimentation en gaz sont bien serrés.
- Prendre connaissance des consignes de sécurité et des instructions d'utilisation de ce manuel. Ne pas fumer en allumant le radiateur ou en vérifiant les raccords d'alimentation en gaz.
- Toujours allumer le radiateur en se tenant debout sur le côté de celui-ci; ne jamais allumer l'appareil en se tenant debout devant celui-ci.

Utilisation

Instructions d'allumage du radiateur

1. Tirer sur la gâchette d'arrêt (OFF) pour s'assurer que le radiateur est éteint. (Figure 18) et vérifier que la valve de la bonbonne de propane est fermée.
2. Ouvrir la valve de la bouteille de propane. (Figure 19)
3. Appuyer continuellement, pendant 10 secondes, sur la gâchette de mise en marche (ON) du radiateur. Un déclic sera audible.
! NOTE : Une fois la flamme pilote allumée, continuer d'appuyer sur la gâchette de mise en marche (ON) pendant 10 secondes pour s'assurer que le brûleur reste allumé.
4. Si le brûleur ne s'allume pas, fermer la valve de la bouteille de propane, puis appuyer sur la gâchette d'arrêt (OFF). Attendre au moins 5 minutes que le gaz se dissipe, puis réessayer. Si le radiateur ne s'allume toujours pas, éteindre le radiateur et fermer la valve de la bouteille de propane. Attendre 5 minutes que le gaz se dissipe, puis suivre les instructions de la section *Vérification de la présence de fuites de gaz* à la page 15. Si aucune fuite n'est détectée, répéter la procédure d'allumage.
5. Lorsque le radiateur n'est pas utilisé, appuyer sur la gâchette d'arrêt (OFF) et fermer la valve de la bouteille de propane.

Allumage manuel à l'aide d'une allumette

1. Appuyer sur la gâchette d'arrêt (OFF) pour s'assurer que le radiateur est éteint. (Figure 18) et vérifier que la valve de la bonbonne de propane est fermée.
2. Prendre une longue allumette ou insérer une allumette dans un porte-allumette, puis ouvrir la valve de la bouteille de propane. (Figure 19)
3. Allumer l'allumette, puis la faire passer à travers le dispositif de protection jusqu'au brûleur. (Figure 20)
4. Appuyer continuellement, pendant 10 secondes, sur la gâchette de mise en marche (ON) du radiateur. Un déclic sera audible.
! NOTE : Une fois la flamme pilote allumée, continuer d'appuyer sur la gâchette de mise en marche (ON) pendant 10 secondes pour s'assurer que le brûleur reste allumé.

Figure 18

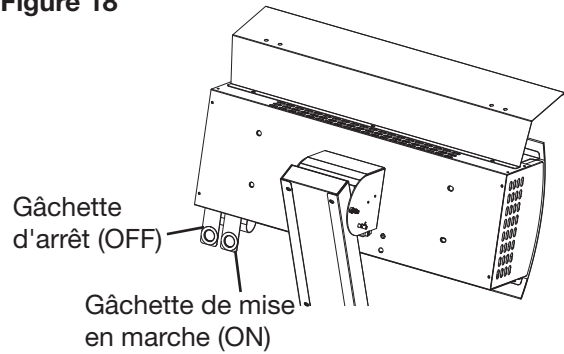


Figure 19

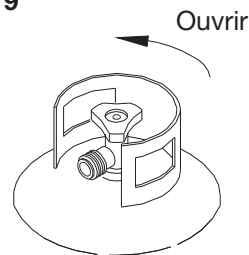
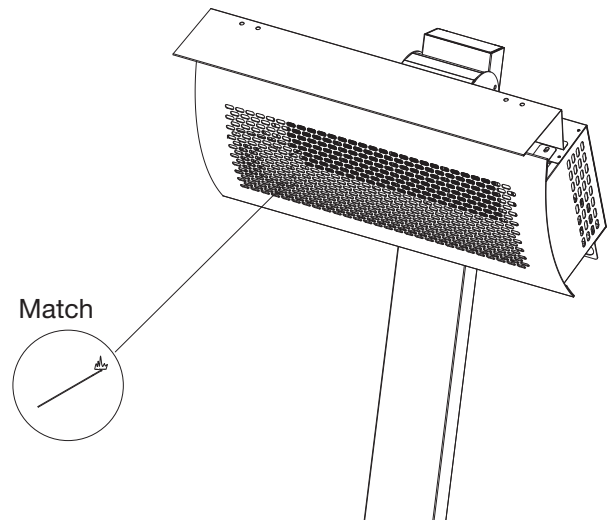


Figure 20





AVERTISSEMENT

- Retirer la bouteille de propane avant le nettoyage ou l'entretien de l'appareil.
- Ne pas essayer de nettoyer le radiateur ni d'en faire l'entretien pendant qu'il fonctionne. S'assurer que le radiateur est éteint et qu'il a refroidi avant de le nettoyer.
- Pour éviter tout risque de brûlure ou de blessure, laisser l'appareil refroidir pendant au moins 30 minutes avant d'essayer de le nettoyer ou d'en faire l'entretien.
- Il n'y a aucune pièce dont l'entretien peut être effectué par l'utilisateur à l'intérieur du radiateur. Tout entretien autre que le nettoyage du radiateur doit être exécuté par un représentant de service autorisé.
- Ne jamais immerger l'appareil dans l'eau!
- Tout dispositif de protection doit être enlevé avant le nettoyage ou l'entretien du radiateur et doit être remplacé avant que l'appareil ne puisse être utilisé de nouveau.

Nettoyage du radiateur

S'assurer que la valve de la bouteille de propane est fermée et que le radiateur a complètement refroidi avant de nettoyer l'appareil.

Utiliser un chiffon ou une éponge humide et une solution composée de savon doux et d'eau tiède pour nettoyer les surfaces extérieures peintes du radiateur. N'utiliser aucun produit ou matériau de nettoyage abrasif ou caustique.

S'assurer que l'appareil est sec après le nettoyage pour éviter la formation de rouille. Il est recommandé de faire fonctionner le radiateur après l'avoir nettoyé pour s'assurer qu'il est sec.

Il est recommandé de nettoyer le radiateur tous les 3 mois afin de veiller au maintien de son fonctionnement optimal et de son aspect esthétique. Un nettoyage et un entretien supplémentaires sont recommandés si le radiateur est installé dans un endroit corrosif ou s'il est exposé à des produits chimiques dans l'atmosphère, comme de la fumée de cigarette et de la pollution, afin d'éviter l'usure et le ternissement de l'appareil.

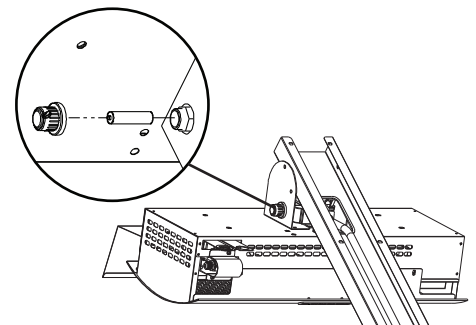
Remplacement de la pile du dispositif d'allumage

1. Dévisser le couvercle du compartiment à pile pour l'ouvrir.
2. Placer 1 pile AA dans le compartiment à pile.
3. Refermer le couvercle du compartiment à pile.



La pile usagée doit être recyclée ou éliminée de façon adéquate. Communiquer avec les autorités locales ou le détaillant pour obtenir des conseils en matière de recyclage.

Figure 21



Dépannage

⚠ AVERTISSEMENT : Il n'y a aucune pièce dont l'entretien peut être effectué par l'utilisateur à l'intérieur du radiateur. Tout entretien autre que le nettoyage du radiateur doit être exécuté par un représentant de service autorisé.

PROBLÈME	CAUSE	SOLUTION
La flamme pilote ou le brûleur principal ne s'allume pas	La valve de la bouteille de propane est fermée	Ouvrir la valve de la bouteille de propane
	La bouteille de propane est vide	Remplacer la bouteille de propane vide par une bouteille de propane pleine
	Le dispositif d'allumage ne produit pas d'étincelles	Remplacer la pile
		Réparer l'électrode ou le piézo
	Il y a de l'air dans la conduite de gaz	Vider la conduite de gaz de son air
La conduite de gaz est bloquée	Déterminer la source de l'obstruction et dégager la conduite	
Le brûleur principal ne s'allume pas complètement	La quantité de propane est insuffisante	Installer une bouteille de propane pleine
	L'alimentation en propane est faible	Déterminer la source du problème d'alimentation et retirer les débris, si nécessaire
	La commande de gaz ne fonctionne pas	Inspecter la valve et prendre les mesures qui s'imposent
La flamme est jaune	Vérifier la pression du gaz	Ajuster, au besoin
	Vérifier l'injecteur	Nettoyer, au besoin
	Vérifier s'il y a de la poussière sur le brûleur	Nettoyer, au besoin.
	Vérifier que les orifices du brûleur ne sont pas obstrués	Nettoyer, au besoin

Garantie

Garantie limitée d'un an

Produits couverts par la présente garantie limitée

La présente garantie limitée couvre votre nouvel appareil de chauffage infrarouge intérieur/extérieur de Dimplex. La présente garantie limitée ne s'applique qu'aux achats effectués dans l'une des provinces du Canada, à l'exception du Yukon, du Nunavut et des Territoires du Nord-Ouest, ou dans l'un des 50 États américains (incluant le district fédéral de Columbia), à l'exception d'Hawaï et de l'Alaska. La présente garantie limitée est valable seulement pour l'acheteur original du produit et ne peut être transférée.

Produits non couverts par la présente garantie limitée

Les ampoules électriques ne sont pas couvertes par cette garantie limitée et sont la responsabilité exclusive du propriétaire/acheteur. Les produits achetés au Yukon, au Nunavut, dans les Territoires du Nord-Ouest, à Hawaï ou en Alaska ne sont pas couverts par la présente garantie limitée. Les produits achetés dans ces États, provinces ou territoires sont vendus TELS QUELS sans aucune garantie ni condition (y compris, notamment, toute garantie ou condition implicite de qualité marchande ou de convenance à un usage particulier), et l'acheteur doit assumer tous les risques relatifs à la qualité et au rendement des produits. En cas de défectuosité, tous les frais d'entretien et de réparation incombent à l'acheteur.

Couverture et durée de la présente garantie limitée

Les produits couverts par la présente garantie limitée ont été testés et inspectés avant l'envoi. Conformément aux dispositions de la présente garantie, Glen Dimplex Americas Ltd. (appelée «Glen Dimplex Americas» aux présentes) garantit que ces produits sont exempts de tout vice de matériau et de fabrication pour une période de 12 mois à partir de la date d'achat desdits produits. La garantie limitée de 12 mois s'applique également à toute garantie implicite pouvant exister en vertu des lois en vigueur. Certains territoires ne permettent pas la restriction de la durée d'une garantie implicite; il est donc possible que la restriction ci-dessus ne s'applique pas à l'acheteur.

Exclusions de la présente garantie limitée

La présente garantie limitée ne couvre pas les produits qui ont été réparés (sauf par Glen Dimplex Americas ou ses représentants de service autorisés) ou autrement modifiés. Elle ne couvre pas non plus les défectuosités résultant d'un mauvais usage, d'un usage abusif, d'un accident, de négligence, d'une mauvaise installation, d'une manipulation ou d'un entretien inadéquat, ou de l'utilisation avec un carburant incorrect.

Ce qu'il faut faire pour se prévaloir du service dans le cadre de la présente garantie limitée

Les défectuosités doivent être signalées au service technique au 1 888 346-7539. Au moment d'appeler, avoir à portée de la main une preuve d'achat, ainsi que les numéros de catalogue/modèle et de série du produit. Il est nécessaire d'avoir une preuve d'achat du produit pour se prévaloir du service dans le cadre de la garantie limitée.

Ce que fera Glen Dimplex Americas en cas de défectuosité

S'il s'avère qu'une pièce ou un produit couvert par cette garantie limitée présente effectivement un vice de matériau ou de fabrication pendant la garantie limitée de 12 mois, vous aurez alors les droits suivants :

- Glen Dimplex Americas pourra, à sa seule discrétion, réparer ou remplacer sans frais la pièce ou le produit défectueux. Si Glen Dimplex Americas est incapable de réparer ou de remplacer la pièce ou le produit, ou si la réparation ou le remplacement n'est pas commercialement possible, ou ne peut être fait rapidement, Glen Dimplex Americas pourra, au lieu d'effectuer la réparation ou le remplacement, décider de rembourser le prix d'achat de la pièce ou du produit.
- Le service sous garantie limitée sera dispensé uniquement par des dépositaires ou agents de service de Glen Dimplex Americas autorisés à dispenser des services sous garantie limitée.
- L'acheteur sera responsable de tous les frais engagés pour le retrait du produit ou de la pièce et le transport aller-retour de ceux-ci (et de tout produit ou de toute pièce réparé/de rechange) à l'établissement du dépositaire ou de l'agent de service autorisé.
- Cette garantie limitée ne donne pas droit à des services sous garantie sur place ou à domicile à l'acheteur. Des services sur place ou à domicile sont offerts à la demande expresse et aux frais de l'acheteur, au tarif en vigueur que facture Glen Dimplex Americas pour ces services.
- Glen Dimplex Americas n'est pas responsable des frais encourus pour l'installation ou le retrait du produit ou de la pièce (ou de tout produit ou de toute pièce de rechange) ni des frais de main-d'œuvre et de transport, et la présente garantie limitée ne les couvre pas non plus. Ces frais sont la responsabilité de l'acheteur.

Application des lois provinciales et d'État

Cette garantie limitée confère à l'acheteur des droits juridiques précis, et il se peut que l'acheteur ait d'autres droits qui varient d'un territoire à un autre. Les dispositions de la Convention des Nations Unies sur les contrats de vente de marchandises ne s'appliquent pas à cette garantie limitée ou à la vente de produits couverts par cette garantie limitée.

Autres exclusions à la responsabilité de Glen Dimplex

Americas et de ses dépositaires et agents de service :
GLEN DIMPLEX AMERICAS, SES ADMINISTRATEURS, SES GESTIONNAIRES OU SES AGENTS NE POURRONT EN AUCUN CAS ÊTRE TENUS RESPONSABLES ENVERS L'ACHETEUR OU TOUTE AUTRE TIERCE PARTIE, EN VERTU D'UN CONTRAT, DU DROIT DE LA RESPONSABILITÉ DÉLICTEUELLE OU SUR TOUTE AUTRE BASE, DE COÛTS, DE PERTES OU DE DOMMAGES INDIRECTS, SPÉCIAUX, PUNITIFS, EXEMPLAIRES OU ACCESSOIRES DÉCOULANT DIRECTEMENT OU INDIRECTEMENT DE LA VENTE, DE L'ENTRETIEN, DE L'UTILISATION OU DE L'INCAPACITÉ D'UTILISATION DU PRODUIT, MÊME SI GLEN DIMPLEX AMERICAS, SES ADMINISTRATEURS, SES GESTIONNAIRES OU SES AGENTS ONT ÉTÉ INFORMÉS DE LA POSSIBILITÉ DE TELS COÛTS, PERTES OU DOMMAGES, OU SI LESDITS COÛTS, PERTES OU DOMMAGES SONT PRÉVISIBLES. GLEN DIMPLEX AMERICAS, SES GESTIONNAIRES, SES ADMINISTRATEURS OU SES AGENTS NE POURRONT EN AUCUN CAS ÊTRE TENUS RESPONSABLES DE COÛTS, DE PERTES OU DE DOMMAGES DIRECTS QUI DÉPASSENT LE PRIX D'ACHAT DU PRODUIT. CERTAINS TERRITOIRES NE PERMETTENT PAS L'APPLICATION D'EXCLUSIONS OU DE LIMITATIONS AUX DOMMAGES INDIRECTS OU ACCESSOIRES. IL SE POURRAIT DONC QUE LES EXCLUSIONS ET LIMITATIONS CI-DESSUS NE S'APPLIQUENT PAS À L'ACHETEUR.

Vos commentaires sont précieux !

Votre contribution aide à créer des produits et des expériences encore meilleurs.

Transmettez de la chaleur et laissez un commentaire.

dimplex.com/sharethewarmth

 [YouTube/Dimplex](https://www.youtube.com/Dimplex) 



1-888-346-7539 | www.dimplex.com

Dans le cadre de notre politique d'amélioration continue de nos produits, nous nous réservons le droit de modifier les spécifications sans préavis.

© 2021 Glen Dimplex Americas

 **UNE MARQUE DE GLEN DIMPLEX AMERICAS**