

## **THANK YOU FOR CHOOSING ANOTHER WAY!**

For the sake of your safety and proper use of the product,  
please read this manual before using Dashboard “Hadron”.

1. Warning

To ensure complete safety for yourself and others while using Dashboard “Hadron”, please follow the guidelines below:

- ✓ not intended for children under the age of 15;
- ✓ connect the product to certified computers only;
- ✓ connect the product to a computer's USB port with a USB cable;
- ✓ the USB cable and plug must not have any signs of destruction, damage, damaged cable cover or the plug;
- ✓ unplug the product if it is not used for an extended period;
- ✓ DO NOT modify the product, in case of malfunction, please contact the manufacturer;
- ✓ DO NOT try to repair the product.

The product is completely safe when used for the purposes for which it was created. All other unforeseen uses are prohibited.

**ANOTHER WAY TAKES NO LIABILITY FOR ANY  
INJURY WHICH COULD OCCUR DURING MISUSE  
OF THE PRODUCT.**

2. Dimensions

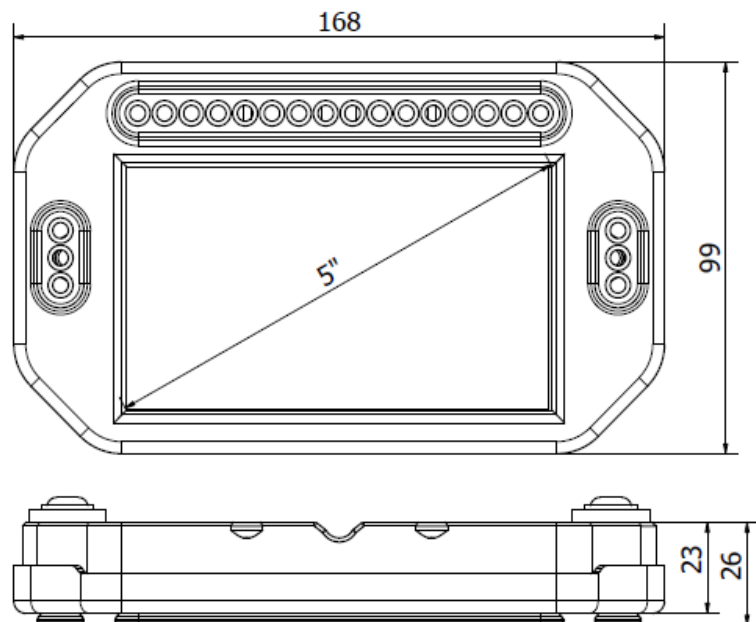


Fig. 2. Overall dimensions.

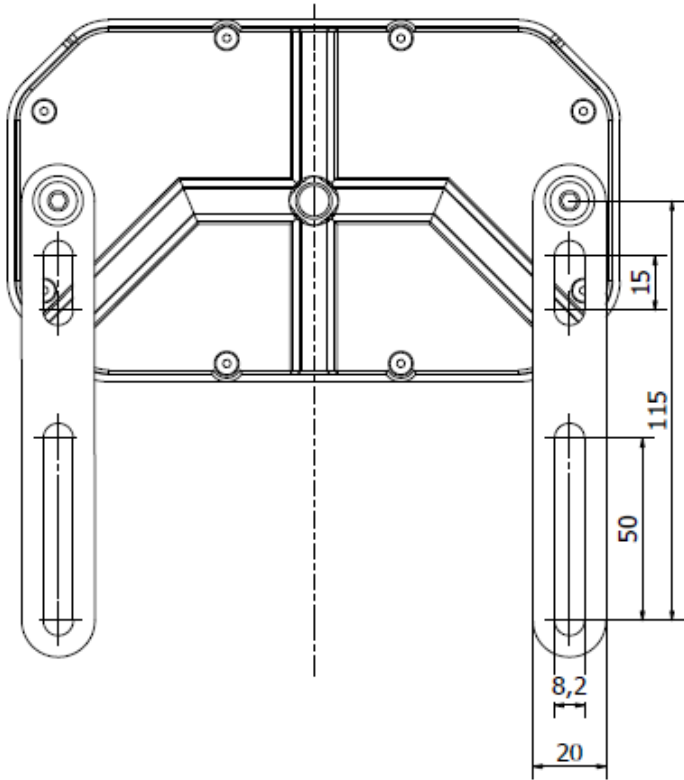


Fig. 3. Mounting bracket.

### 3. Installation

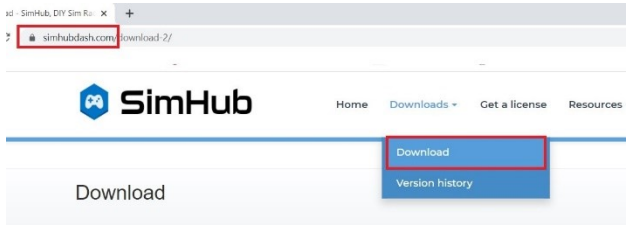
The dashboard is mounted with two plates, whose spacing can be adjusted in a wide range. M6x12 screws are used to mount the dashboard, which are included in the kit. Don't exchange them for any other. The max. screw length is 12 mm.

Note: do not mount the dashboard directly to a flat surface. The housing is not flat.

#### 4. Display configuration

Dashboard is only compatible with Windows 10 PC and USB 3.0 standard.

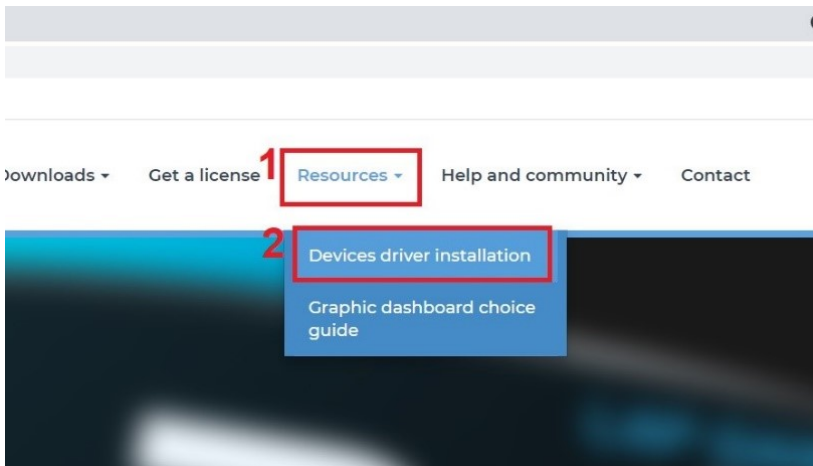
##### 4.1 Download and install SIMHUB application from the website **simhubdash.com**.



### SimHub V7.4.7



##### 4.2 Download display drivers from the same website.



Next click to link to download drivers

## Devices driver installation

### Arduino board drivers

Arduino comes with various serial chips and may not be recognised out of the box. You need to know what chip comes with your board and what drivers you need to install.

- CH340G chip : [http://www.wch.cn/downloads/CH341SER\\_EXE.html](http://www.wch.cn/downloads/CH341SER_EXE.html)
- FTDI chip : [https://www.ftdichip.com/Drivers/CDM/CDM21236\\_Setup.zip](https://www.ftdichip.com/Drivers/CDM/CDM21236_Setup.zip)

### USBD480 LCD

- [Windows 10 drivers](#)
- [Windows 8 drivers](#)

### VOCORE LCD

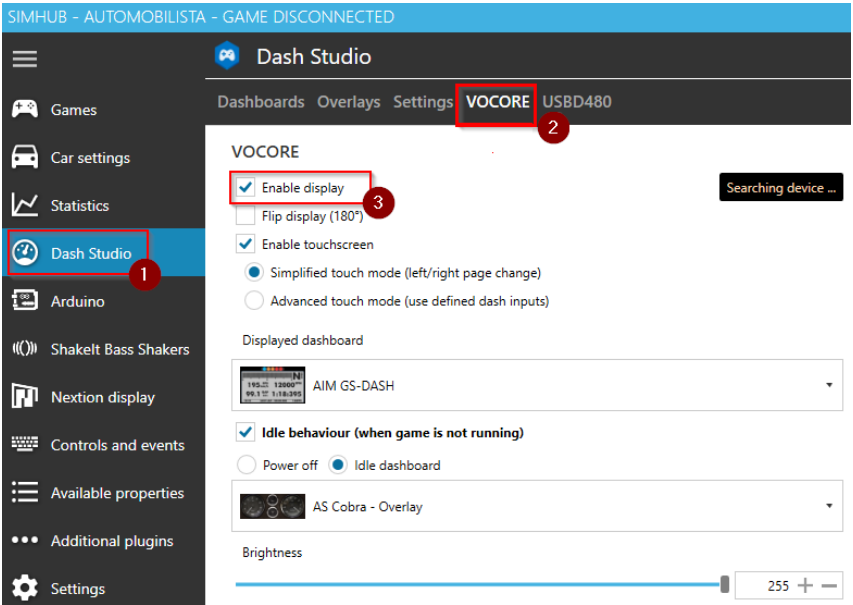
- [Windows 10 Vocore Screen \(Touch version\) drivers](#)

4.3 After downloading the file, follow the instructions to install the drivers.

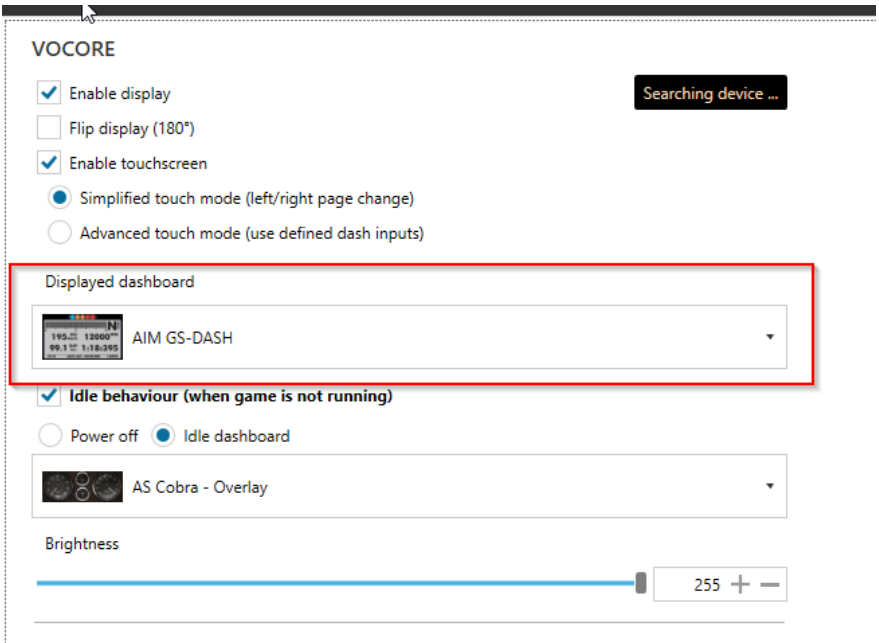
4.4 Plug the screen with a USB cable.

4.5 Restart Simhub.

4.6 Enable the appropriate kind of display in dash studio:

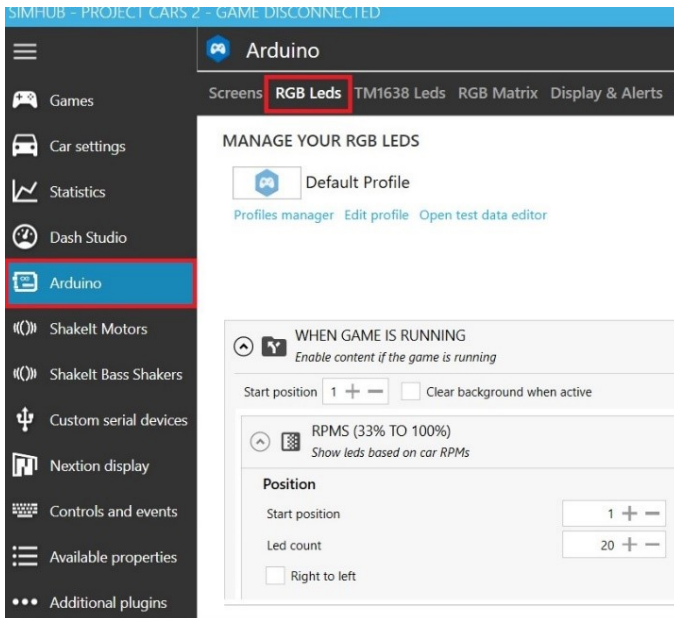


#### 4.7 Select a dashboard to be displayed

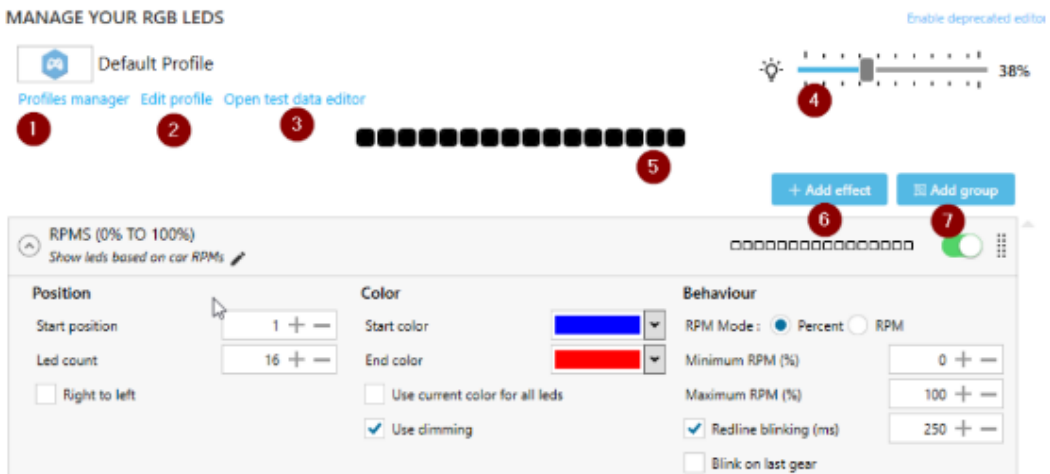


## 5. LED configuration

- 5.1 The led editor allows you to create simple or complex led layouts. To manage your LEDs behavior goes to ARDUINO tab and select RGB LEDs.



## 5.2 Editor overview

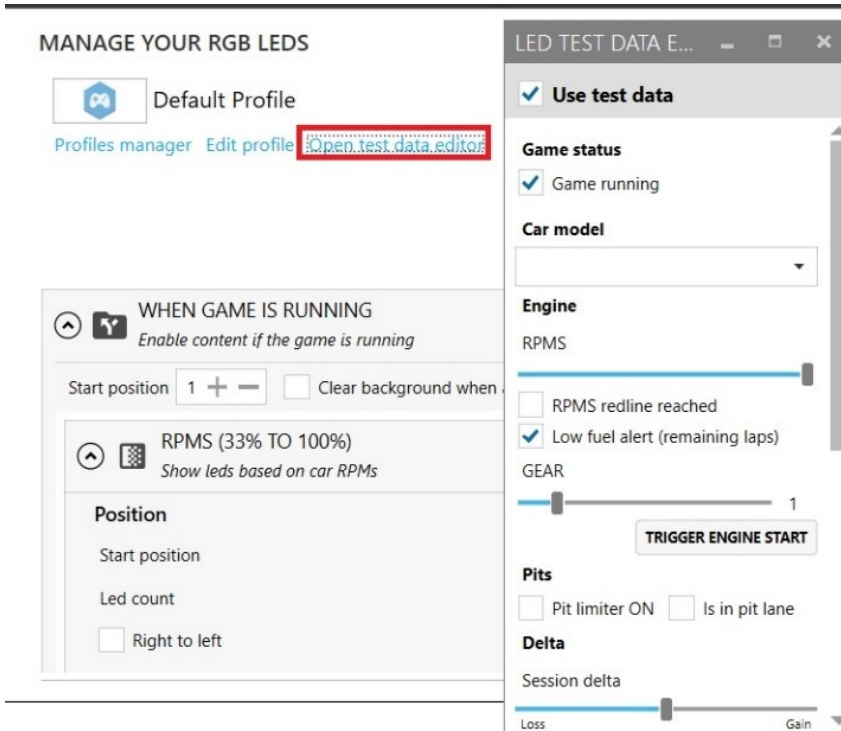




1. Allows to manage and change active profile. A profile contains an entier led definition. The editor will remember the last profile used for the current game and reload it after a game change.
2. Allows to edit the profile : title, game ...
3. Open the test-data editor : most of the game data can be simulated using the test data editor.
4. LED Brightness control
5. Result preview : shows the overall result of the led profile using the current game data or test data (using test data editor)
6. Add a new effect from the effects library.
7. Add a simple group to the profile

### 5.3 Test data editor

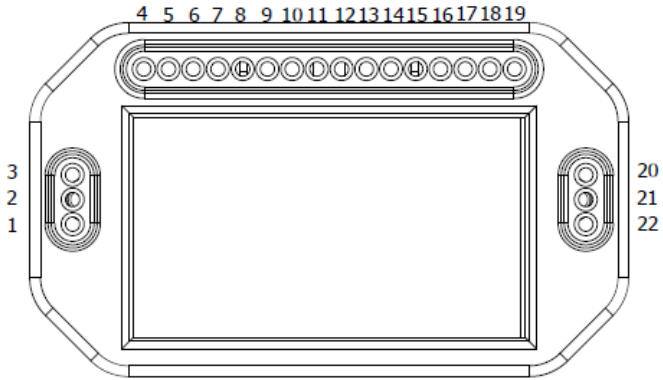
The test data editor allows you to simulate most game data. To use it click on "open test data editor". The test data editor will open and will be enabled by default, you can disable it anytime to use live data by unchecking the following checkbox, or simply close the window:



Then you can change the current status, game running or not running, rpms ... and see the effect on the led preview.

More detailed information about LED configurations can be found on the Simhub website.

Below is the numbering of the LEDs.



5.4 If you have any problem with connection, please set up Simhub as below:

The screenshot shows the Simhub software interface. The top bar indicates 'GAME DISCONNECTED' and has buttons for 'Live', 'Replay', and 'Record'. The main menu includes 'Screens', 'RGB Leds', 'TM1638 Leds', 'RGB Matrix', 'Display & Alerts', 'Gauges', 'Controls', and 'My Hardware'. The 'My Hardware' section is active, showing 'GENERAL ARDUINO SETTINGS' and 'DETECTED HARDWARE'. In the 'GENERAL ARDUINO SETTINGS' section, 'Read buttons' is checked, 'Serial speed' is set to '9600 Bauds', 'Matrix Rotations' is '3', 'Matrix Font' is 'custommatrixfont8x8', 'Matrix redline blink' and '7 segment gear indicator redline blink' are checked, and 'LCD refresh speed' is '1'. In the 'DETECTED HARDWARE' section, a device 'AW Dashboard Hadron (COM36 9600 bauds) Rev.:j MCU: ATmega32U4' is listed with a '10.0FPS' refresh rate. Below this, the 'DEVICES SCAN' section shows a device '15:54:40 COM36' with a 'Connected' status. In the 'ARDUINO SCAN SETTINGS' section, 'Scan all serial ports' is selected.

**BIBLIOGRAPHY:**  
*www.simhubdash.com*

## 6. Recommendations concerning protection of the environment

Electronic and electric devices must not be disposed of with other household waste. They should be recycled at specialized collection points for used electronic and electrical equipment to avoid a negative impact on the environment and human health. Please contact your local authority for information on the location of such points.

## 7. Warranty information

Another Way, based in Bogusławki Małe 25C, 96-200 Rawa Mazowiecka, warrants that Dashboard “Hadron” will be free from defects in materials / workmanship / design for a period of two (2) years from the date of delivery of Dashboard “Hadron” to the customer.

In the event of any symptoms that may indicate a product defect, the manufacturer should be immediately contacted. They will define a further procedure.

Under the warranty, the defective product will be repaired or replaced with a working one, or the cost of its purchase will be refunded, provided that the product with a copy of the invoice or receipt is delivered to the manufacturer. The choice of the decision related to the consideration of the complaint rests with the manufacturer.

This warranty does not apply when:

- ✓ the product has been modified by the customer,
- ✓ reworked, altered, or damaged due to improper or excessive use,
- ✓ an accident was caused by the customer,
- ✓ there was negligence in use, normal wear, and tear or for any other reason that is not caused solely by a material or manufacturing defect,
- ✓ the product was used for commercial use,
- ✓ the manufacturer's recommendations were not followed,
- ✓ the product was resold.

## NOTE

Remember to make a complaint, you must contact the point where the product was purchased.