

**THANK YOU FOR CHOOSING ANOTHER WAY!**

For the sake of your safety and proper use of the product,  
please read this manual before using Buttonbox BBX-ONE.

## 1. Warning

To ensure complete safety for yourself and others while using ButtonBox BBX-ONE please follow the guidelines below:

- ✓ ButtonBox BBX-ONE not intended for children under the age of 15;
- ✓ the product contains small parts which, if swallowed, may cause choking, and injuries, and even death in young children. Be especially careful when using small parts and keep them away from children;
- ✓ connect the product to certified computers only;
- ✓ connect the product to a computer's USB port with a USB cable;
- ✓ the USB cable and plug must not have any signs of destruction, damage, damaged cable cover or the plug;
- ✓ unplug the product if it is not used for an extended period;
- ✓ DO NOT modify the product, in case of malfunction, please contact the manufacturer;
- ✓ DO NOT try to repair the product;

## 2. Notes

Remember to never put your fingers or other body parts in the designated place. There is a risk of pinching.

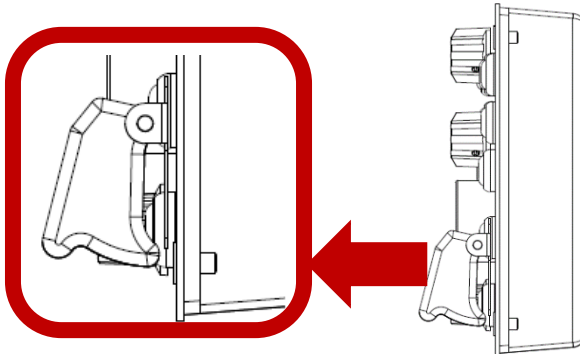


Fig. 1. Presentation of the sensitive place in the ButtonBox BBX-ONE, where it is forbidden to insert fingers and other parts of the body

The product is completely safe when used for the purposes for which it was created. All other unforeseen uses are prohibited.

**ANOTHER WAY TAKES NO LIABILITY FOR ANY  
INJURY WHICH COULD OCCUR DURING MISUSE  
OF THE PRODUCT.**

### 3. Dimensions

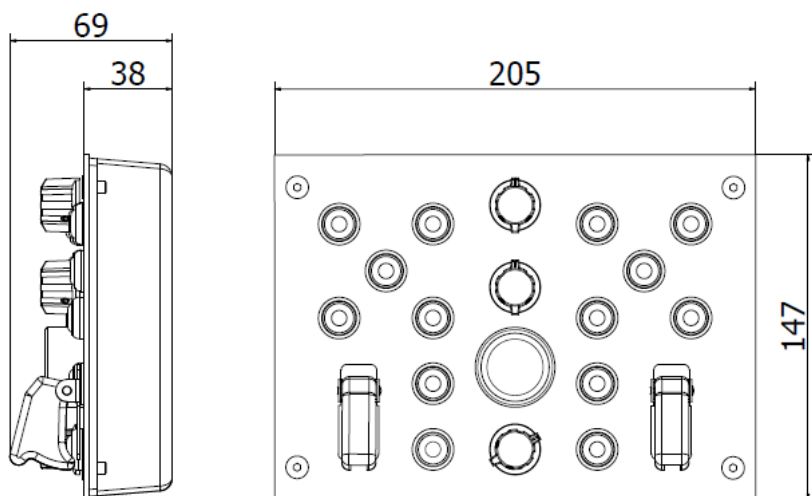


Fig. 2. Dimensions

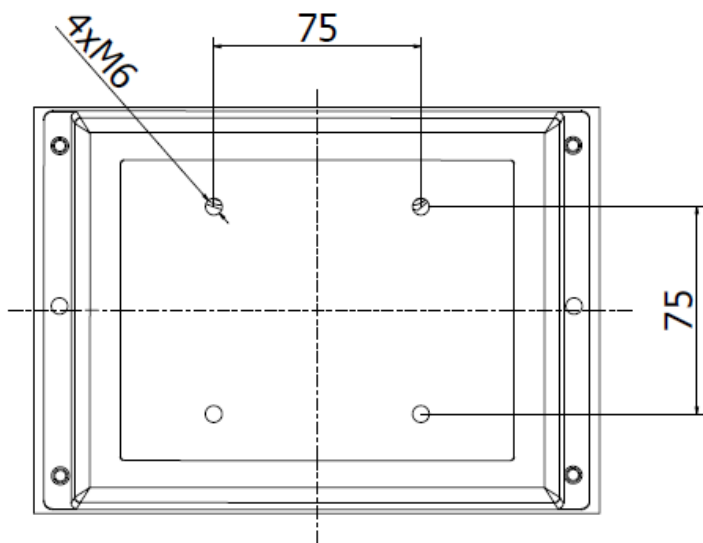


Fig. 3. Installation holes.

#### 4. Installation

ButtonBox BBX-ONE is mounted with screws M6x20. Don't use longer screws than 20 mm. The set includes 4 screws. Don't exchange them for any other.

#### 5. Connection

ButtonBox BBX-ONE" is only compatible with Windows 10 PC.

Before using ButtonBox BBX-ONE, the USB cable must be connected to the USB port. ButtonBox BBX-ONE is a kind of game controller "PLUG AND PLAY". To make sure the controller is detected by the computer, in Windows go to the control panel, where you should find the "Set up USB game controllers" tab [Fig.4]



### Set up USB game controllers

Control panel

Fig. 4. "Set up USB game controllers"

In the tab, “Game controllers” screen opens.

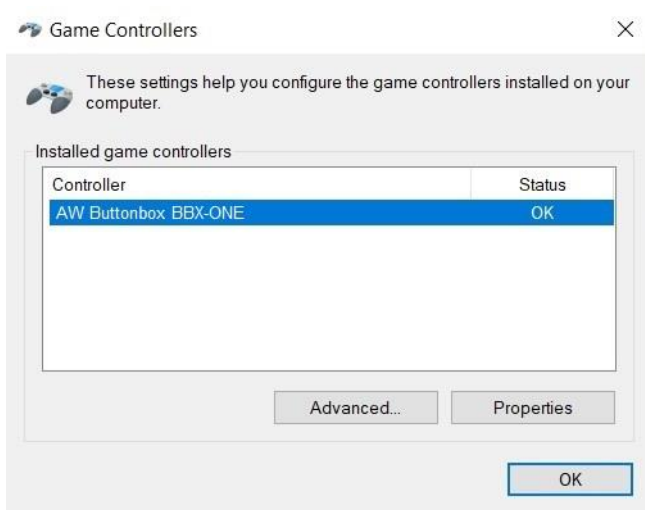


Fig. 5. „Game controllers”

The name “AW Buttonbox BBX-ONE” should appear in the screen “Game controllers”. Then everything is fine. The game controller is now detected by the computer and you can proceed to use.

#### 6. Recommendations concerning protection of the environment

Electronic and electric devices must not be disposed of with other household waste. They should be recycled at specialized collection points for used electronic and electrical equipment to avoid a negative impact on the environment and human health. Please contact your local authority for information on the location of such points.

#### 7. Warranty information

Another Way, based in Bogusławki Małe 25C, 96-200 Rawa Mazowiecka, warrants that ButtonBox BBX-ONE will be free from defects in materials / workmanship / design for a period of two (2) years from the date of delivery of ButtonBox BBX-ONE to the customer.

In the event of any symptoms that may indicate a product defect, the manufacturer should be immediately contacted. They will define a further procedure.

Under the warranty, the defective product will be repaired or replaced with a working one, or the cost of its purchase will be refunded, provided that the product with a copy of the invoice or receipt is delivered to the manufacturer. The choice of the decision related to the consideration of the complaint rests with the manufacturer.

This warranty does not apply when:

- ✓ the product has been modified by the customer,
- ✓ reworked, altered, or damaged due to improper or excessive use,
- ✓ an accident was caused by the customer,
- ✓ there was negligence in use, normal wear, and tear or for any other reason that is not caused solely by a material or manufacturing defect,
- ✓ the product was used for commercial use,
- ✓ the manufacturer's recommendations were not followed,
- ✓ the product was resold.

**NOTE,** Remember to make a complaint, you must contact the point where the product was purchased.