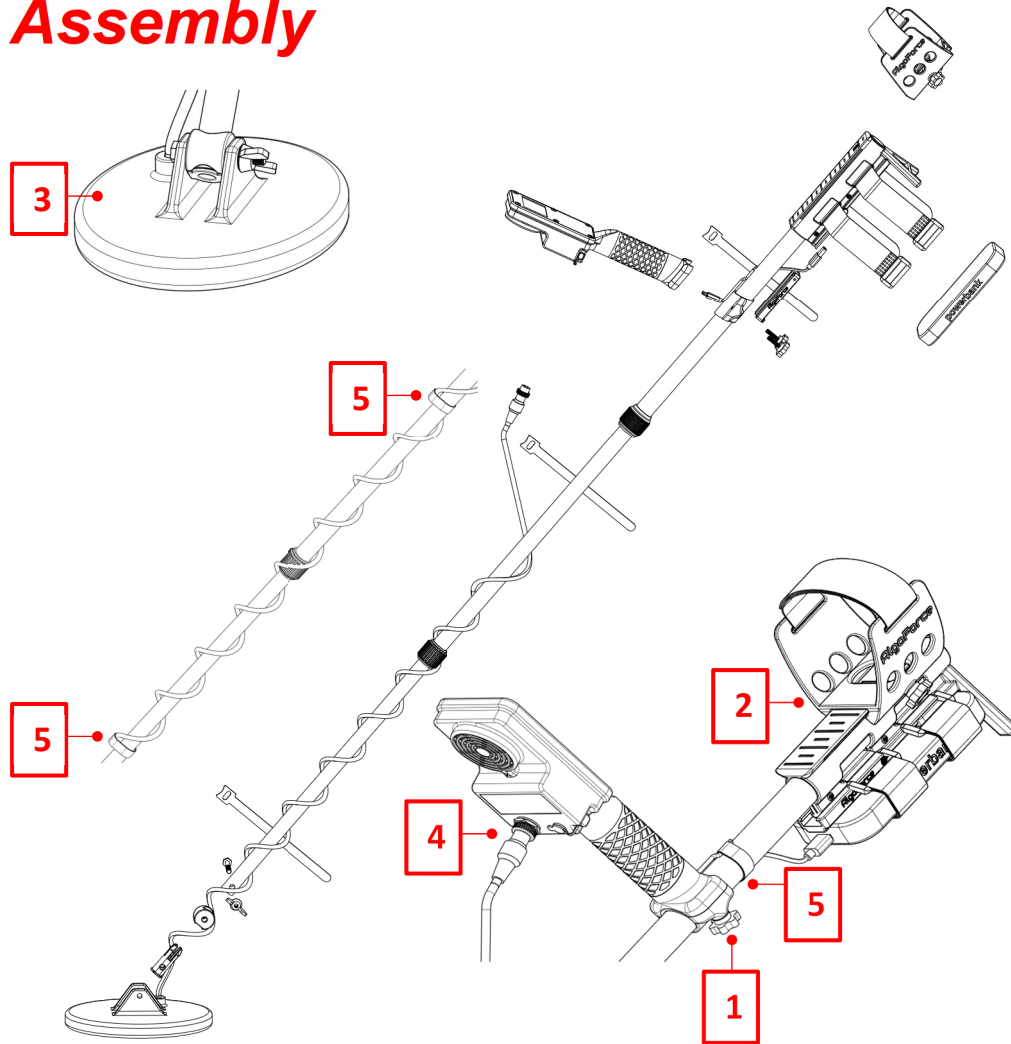
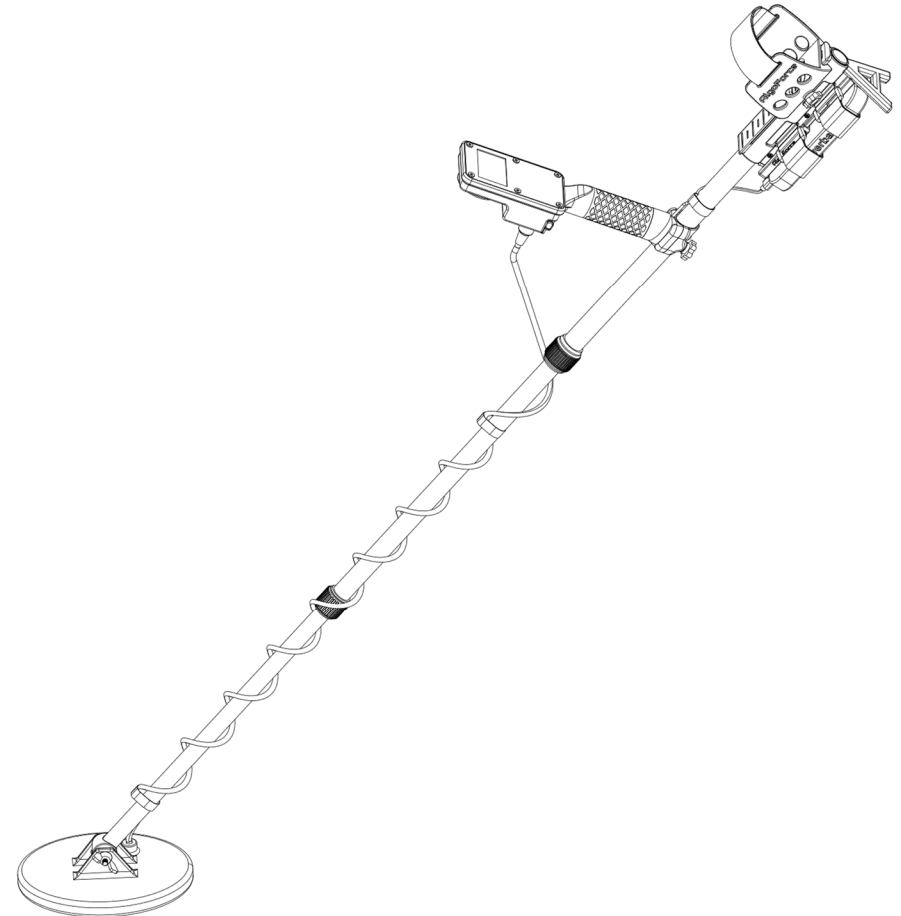


Assembly



- 1** Attach the USB cable to the control box and secure it to the stem using two M5x20 screws.
- 2** Attach the arm cuff to the sliding rail using two M5x14 screws, secure the power bank with the straps and connect the USB cable.
- 3** Set the rods to the appropriate length and attach the coil.
- 4** Plug the coil connector into the control box.
- 5** Tie the coil cable and USB cable to the stem using the cable straps.

AlgoForce™ E1500 Quick Start Guide V1.0.8



*Uncover Gold with Ultra-Fine Pulse Induction Technology:
VLF Sensitivity, PI Power, Affordable Excellence!
Designed & Assembled in Australia by ALGOFORCE PTY LTD*

Quick Start

Press **Vol/Vibration** buttons to modify Audio Volume. Hold **Vol/Vibration** buttons to adjust Vibration. Press the **Backlight Adjust** button for backlight control. Use the **Minus** and **Plus** buttons to modify Sensitivity. To adjust other settings:

- 1) Press **Right/Auto GB** in the Main Detection UI to access the menu.
- 2) Navigate with **Left/Pinpoint** or **Right/Auto GB**.
- 3) Modify selected setting with **Minus** or **Plus**.
- 4) Press **Return/Auto FS** to go back to the Main Detection UI.

I. Power On

Connect the power bank to the control box and turn it on. To power the detector, hold the **Power On/Off** button for 3 seconds, then release. Repeat to turn it off.

II. Factory Reset (if necessary)

Hold the **Minus** and **Plus** buttons for 3 seconds in Miscellaneous.

III. Calibrate Coil (if installing a new coil)

In Coil Selection, select the coil icon to save calibration data. Modify the Coil Size if needed (hold **Return/Auto FS** to enter edit mode). Raise the coil 1 meter away from metal and soil. If the LCD displays "**Hold ⊖ + ⊕ to calibrate**," hold the **Minus** and **Plus** buttons until calibration starts. Calibration takes 25 seconds. Keep the coil in the air throughout. The LCD shows "**Ready to detect**" when done.

IV. Perform Auto Frequency Scan (Auto FS) (if necessary to select the quietest frequency to eliminate electromagnetic interference)

Activate Auto FS by holding the **Return/Auto FS** button in the Main Detection UI. The Auto FS process takes 50 seconds.

V. Set Sensitivity, Audio Settings, and Vibration (to preferred levels)

Adjust Sensitivity, aligning the Real-time Scrolling Detection Signal peak with the Detection Threshold in the absence of a target.

VI. Perform Auto Ground Balance (Auto GB) (to eliminate ground response)

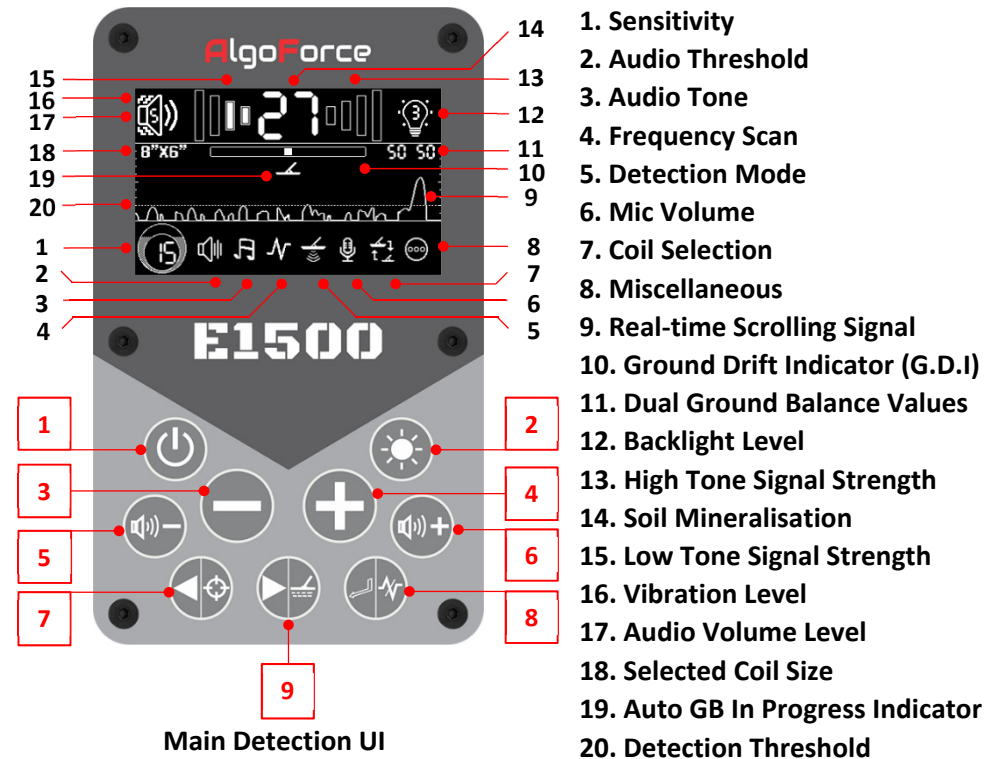
Hold the **Right/Auto GB** button. Raise and lower the coil until the ground response is minimized or two short beeps are heard, then release the button.

VII. Begin Detecting

Keep the coil close to the ground and swing left and right at a pace of about 1 m/s.

VIII. Pinpoint detected target (if needed)

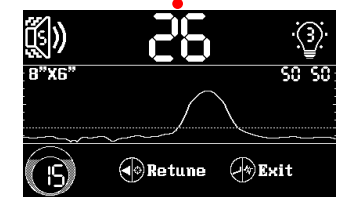
Enter the Pinpoint UI by pressing the **Left/Pinpoint** button in the Main Detection UI. Return to the Main Detection UI by pressing the **Return/Auto FS** button.



Button Functions

- | | |
|-------------------|--------------------|
| 1 Power On/Off | 2 Backlight Adjust |
| 3 Minus | 4 Plus |
| 5 Vol/Vibration ↓ | 6 Vol/Vibration ↑ |
| 7 Left/Pinpoint | 8 Return/Auto FS |
| 9 Right/Auto GB | |

Conductive Target ID



Scan the QR code for the user manual

Caution: AlgoForce E1500 is not intended for use in residential environments and may not provide adequate protection to radio reception in such environments.