

# Tanzite

STONEDECKS

## Installation Manual and Warranty

# The Appalachian Collection



Tip for DIY and pro installers: Read this manual **BEFORE** you design the deck.



# Contents of this Manual

	Page
The Appalachian Collection.....	3
Installation Quick Start Guide.....	4
Board Profiles: Grooved, Edge, Fascia.....	5
Clips: Grooved, Edge, Starter.....	6
Clips: Fascia.....	7
Designing the Deck Frame:	
• Post, Beam and Joist Sizing.....	8
• Planning Your Decking Dimensions.....	10
• Joist Layout: 12"(305mm) / 16"(406mm)...	11
• 12"(305mm) Joist Spacing.....	12
• 16"(406mm) Joist Spacing.....	13
How to Install an Appalachian Deck:	
• Foundations. Ledger Board.....	14
• Post and Beam. Joists.....	15
• Steps.....	16
• Installing Fascia Boards.....	18
• Deck Siding Using Fascia Boards.....	21
• Installing Edge Boards.....	22
• Installing Grooved Boards.....	23
• Railing.....	26

	Page
General Advice for Installing, Maintaining and Repairing Tanzite.....	27
Problems and Solutions.....	30
Docks, Pontoons, Floating Terraces, Diving & Fishing Platforms, Boatdecks.....	32
Sustainability.....	33
Technical Data.....	34
Board Dimensions and Colors.....	36
On site/ Handover Checklist.....	37
Tanzite Warranty.....	39
Tanzite Returns Policy.....	44
Disclaimer.....	45

**Tanzite Pricing Tool:**  
[www.tanzite.com/cost-estimator](http://www.tanzite.com/cost-estimator)

**FREE 3D Deck Design:**  
[www.tanzite.com/design](http://www.tanzite.com/design)

**Installation videos:**  
[www.youtube.com/@tanzitestonedecks6721](http://www.youtube.com/@tanzitestonedecks6721)

## DISCLAIMER:

This installation manual is provided for informational purposes only. The information contained herein is intended to provide general guidelines to simplify your project.

Tools, products, materials, techniques, building codes, and other regulations continually change, so Tanzite assumes no responsibility for the accuracy of the information contained herein and disclaims any liability for omissions, errors, or the outcome of any project. Diagrams are approximations, not drawn to scale. It is the responsibility of the installer or user to ensure compliance with all applicable laws, rules, codes and regulations, and manufacturers specifications, in relation to their project.

The installer or user must take appropriate safety precautions to minimize the risk of harm to themselves or anybody else.

It is the responsibility of the homeowner to properly maintain and insure their project.

If there is any doubt regarding any element of a project, you should consult a licensed professional.



# The Appalachian Collection

Tanzite's Appalachian Collection is a low-maintenance stone decking system installed using hidden clips, so there are no visible screws. The cost, installation, and deck structure are similar to composite decking, even though Tanzite boards are made of stone. Tanzite boards are precision manufactured using extreme pressure and heat. The dimensions are precise and consistent so it's easy to install to a high standard.

The many advantages of Tanzite stone decking:

- Lifetime warranty\*
- Low-maintenance
- Scratch-proof
- Use ice melter and salt
- Fade-free
- Water-resistant: mold or mildew won't damage it
- Easy to clean: pressure washing won't damage it
- Made sustainably without plastics or harmful chemicals
- Cleaning chemical resistance
- Stain-proof
- Melt-proof from BBQ grease
- Stays cooler in the sun
- Covers any existing decking or concrete surface
- Can add creative inlay designs, including curves
- Easy to repair
- Fireproof

Appalachian kits generally include the following parts (unless you specify otherwise):

- Grooved boards
- Edge boards
- Fascia boards
- Grooved clips
- Edge clips
- Starter clips
- Double fascia clips
- High-rise fascia clips

General carpentry tools for deck installation:

- Dust mask, ear protections, gloves, safety glasses and boots
- Level, pencil, tape measure
- Saw: miter saw, circular saw, hand saw etc
- Drill
- Hammer

Additional tools for Tanzite installation:

- Tile/Wet saw, miter saw or circular saw with a **diamond blade**
- **T15** drill bit for clip screws
- Drill bit for **glass/tile**, and/ or a **diamond hole saw**

We recommend reading the manual from start to finish BEFORE designing your deck, because there is essential information throughout the manual that will make ALL the difference to the success and efficiency of your project. This quick start guide gives a brief overview of the installation process.

## Decking Frame:

1. Install piles or foundation to support the deck beam. (p.14)
2. Install ledger board to the house, or use a second set of piles to support another beam. (p.14)
3. Select joists that are straight and even to each other. (p.15)
4. Install joists on 4 1/4"(108mm) on center for side/rim joists, then 12"(305mm) or 16"(406mm) on center for the rest. If this is not possible, ONLY the final space should differ. (p.15)
5. Install blocking(bridging) every 5ft(1.5m) along joist spans, and at every railing post. (p.11)
6. Install cushioning joist tape on the top of joists, ledger board, and blocking. (p.15)
7. Install studs for fascia every 2ft(600mm) on center. (p.21)

## Tanzite clips and boards:

1. Install edge clips. (p.6)
2. Install fascia clips. (p.7)
3. Install fascia boards. (p.18)
4. Install edge boards. (p.22)
5. Install grooved boards, placing grooved clips at each joist. Leave a 1/12"(2mm) gap. (p.23)
6. Cut Tanzite using a saw with a diamond blade for glass/tile/porcelain. (p.27)
7. Ensure each Tanzite board is in contact with each joist during install, otherwise place a shim to fill the gap. (p.17)
8. Install railing if applicable. Drill Tanzite using a regular drill with a glass/tile/porcelain bit. (p.26)
9. Install stair stringers on 4 1/4"(108mm) on the sides, then 12"(305mm) or 16"(406mm) on center for the rest. If this is not possible, ONLY the final space should differ- as with the deck. (p.16)

Installation guides and videos are available at:

[www.tanzite.com](http://www.tanzite.com)

[www.youtube.com/@tanzitestonedecks6721](https://www.youtube.com/@tanzitestonedecks6721)

**Do you need more help with your installation?**

Our team is here to answer your installation questions.

Call us on 1-833-478-6633.

The Tanzite Appalachian Collection utilizes three different 'board' profiles made with Tanzite, and five clip types, all designed for durability and ease of installation.

## Grooved board:

6" x 48" x 1" (144mm x 1219mm x 26mm)

Boards are technically 5 4/5" wide, with the spacing being 1/5" wide, for a total of 6".

Grooved boards are the primary board used to make the deck. They are held in place by hidden clips that are screwed into the joists.



## Edge board:

6" x 48" x 1" (144mm x 1219mm x 26mm)

Edge board is used around the visible edge of the deck. It is largely the same as the grooved board, except that one edge is a neat bull nose. It is held in place by two different hidden clips—grooved clips on the grooved internal edge, and edge clips on the exposed finished edge.

Note that the starter clip can be used instead of the edge clip.



## Fascia board:

8' x 48" x 3/4"

(205mm x 1219mm x 19mm)

Fascia board is used on vertical sections, such as the sides of the deck, and any step risers.

It is held in place using starter clips, double fascia clips, and high-rise fascia clips that slide into the hidden grooves of the board.



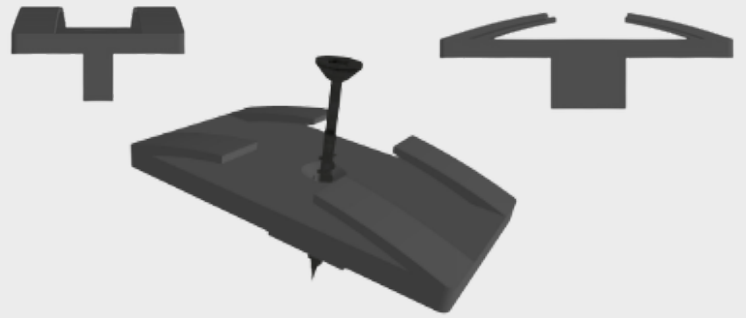
# Clips: Grooved, Edge, Starter

All clips are made of 316 stainless steel and come with a 25mm 316 stainless steel screw. Except for the grooved clip which is made of black nylon, and comes with a 52mm black 316 stainless steel screw.

If you are using an aluminum deck frame, clips all can be supplied with 410 stainless steel self-tapping screws.

## Grooved clip:

This clip holds the grooved boards in place and also the grooved side of the edge boards. The arches hold the clip in the groove while you make any adjustments.



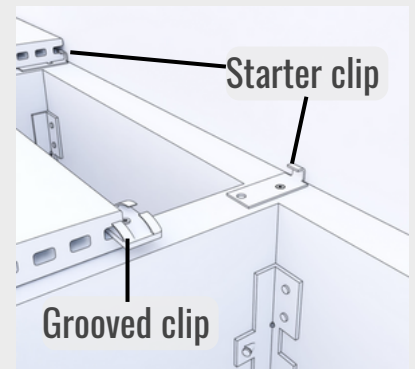
## Starter clip:

These are fixed in a row adjacent to the house wall to secure the row of boards closest to the house.

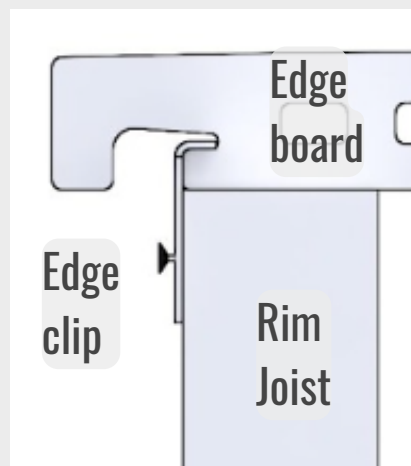
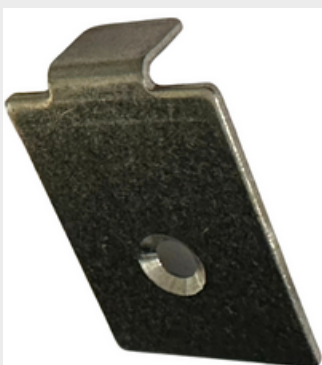
The starter clip can be used instead of an edge clip, to increase or reduce the standard bullnose (see page 21).

They also hold the lower groove of the bottom row fascia boards, and under certain circumstances the upper groove of the top row.

They have two pre-drilled holes to make fixing easier but require one screw only.



## Edge clip:

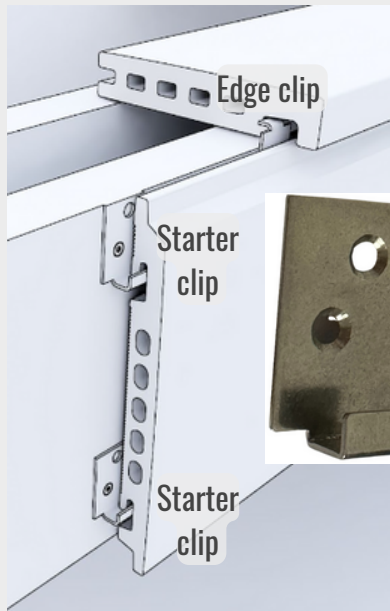


The edge clip is used along the exposed edge of the deck to hold the edge board in place.

It is similar to the starter clip except that it is installed onto the vertical face of the deck frame, not the horizontal face.

This clip can be installed after the edge board is placed.

## Fascia clips- Double and High-Rise, and the use of Starter Clips:

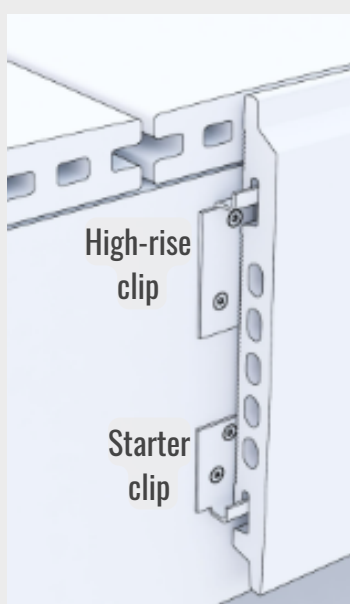
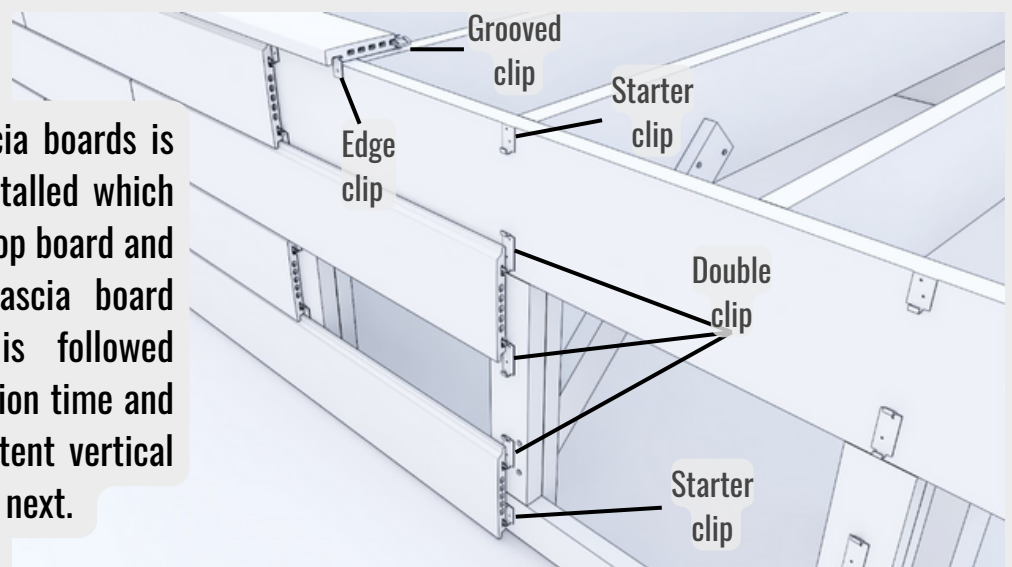


Starter clips are installed at the very top of the rim board to support the upper groove on the first (or only) row of fascia boards.

If there is only one row of fascia boards, a second starter clip is installed to support the lower groove of the fascia board.

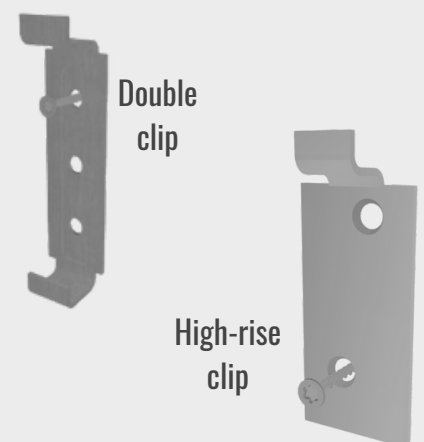
Starter clips also hold the lower groove on the bottom fascia board, however many rows of fascia board you have.

If more than one row of fascia boards is required, double clips are installed which hold the lower groove of the top board and the upper groove of the fascia board beneath it. The process is followed downwards, reducing installation time and ensuring accurate and consistent vertical spacing from one board to the next.



The high-rise clips are specifically for use when installing the fascia board flush to the top surface of the deck board. It is used at the top of the highest fascia board only.

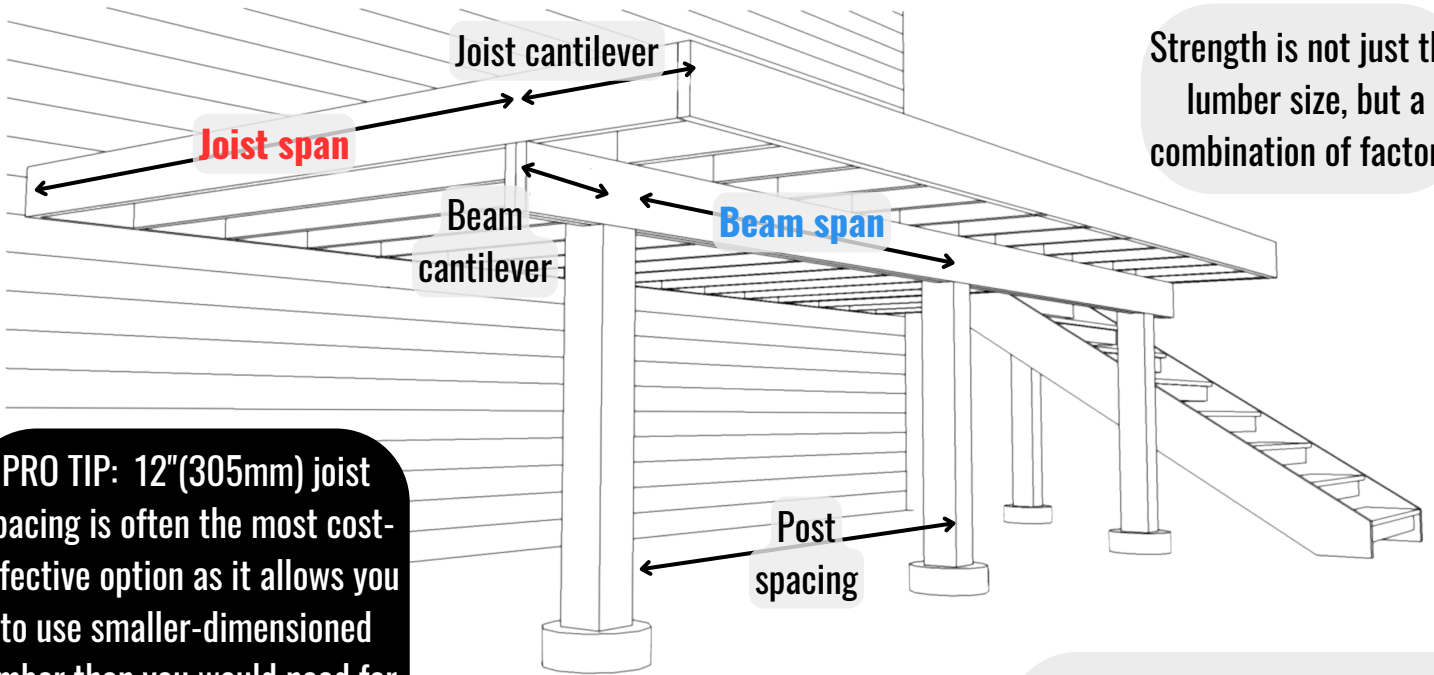
This reduces the need for edge board, but leaves the back of the fascia board slightly visible.



# Designing the Deck Frame

**Tanzite**  
**STONEDECKS**

## Post, Beam and Joist Sizing



Strength is not just the lumber size, but a combination of factors.

**PRO TIP:** 12" (305mm) joist spacing is often the most cost-effective option as it allows you to use smaller-dimensioned timber than you would need for 16" (406mm) spacing.

**\*Refer to local building codes to ensure compliance.**

Tanzite will last a lifetime, so install joist tape to protect the timbers from water.

Stone typically needs **ONLY 5%** stronger framing than standard minimum requirements for wood deck frames.

We recommend a triple beam **EVERY** time as it reduces twisting and extends the life of your timber.

Maximum **Joist Span** Guide (Spruce, Pine, Fir)

Lumber Size	8" Joist Spacing (204mm)	12" Joist Spacing (306mm)	16" Joist Spacing (408mm)	Max. Cantilever
2" x 4" (51mm x 102mm)	6'11" (2108mm)	6' (1829mm)	5'7" (1702mm)	6" (152mm)
2" x 6" (51mm x 152mm)	11'6" (3505mm)	10' (3048mm)	9'1" (2769mm)	12" (306mm)
2" x 8" (51mm x 204mm)	14'11" (4546mm)	12'8" (3861mm)	11'7" (3531mm)	16" (408mm)
2" x 10" (51 x 255mm)	16' (4877mm)	15' (4572mm)	13'7" (4140mm)	24" (712mm)
2" x 12" (51mm x 306mm)	17'2" (5233mm)	16'3" (4953mm)	15'7" (4750mm)	24" (712mm)



# Designing the Deck Frame

Maximum Post Spacing Guide (Spruce, Pine, Fir) - (Beam Span)						
Beam Size	< 8' (2438mm) Joist span	< 10' (3048mm) Joist span	< 12' (3658mm) Joist span	< 14' (4267mm) Joist span	< 16' (4877mm) Joist span	Max. Cantilever
Double 2" x 6" (51mm x 152mm)	4'5" (1346mm)	3'11" (1193mm)	3'7" (1092mm)	3'3" (990mm)	2'10" (864mm)	12" (306mm)
Double 2" x 8" (51mm x 204mm)	5'8" (1727mm)	5'1" (1550mm)	4'7" (1397mm)	4'3" (1295mm)	3'10" (1168mm)	16" (408mm)
Double 2" x 10" (51mm x 255mm)	7' (2134mm)	6'3" (1905mm)	5'8" (1727mm)	5'3" (1600mm)	4'10" (1473mm)	16" (408mm)
Double 2" x 12" (51mm x 306mm)	8'2" (2489mm)	7'3" (2210mm)	6'7" (2007mm)	6'1" (1855mm)	5'8" (1727mm)	16" (408mm)
Triple 2" x 6" (51mm x 152mm)	6'5" (1956mm)	5'10" (1778mm)	5'3" (1600mm)	4'10" (1473mm)	4'6" (1371mm)	12" (306mm)
Triple 2" x 8" (51mm x 204mm)	10' (3048mm)	9'4" (2845mm)	8'7" (2616mm)	7'11" (2413mm)	7'5" (2261mm)	16" (408mm)
Triple 2" x 10" (51 x 255mm)	12'10" (3912mm)	11'6" (3505mm)	10'6" (3200mm)	9'8" (2946mm)	9'1" (2769mm)	24" (712mm)
Triple 2" x 12" (51mm x 306mm)	14'11" (4546mm)	13'4" (4064mm)	12'2" (3709mm)	11'3" (3429mm)	10'6" (3200mm)	24" (712mm)
Quad 2" x 6" (51mm x 152mm)	8'3" (2514mm)	7'4" (2236mm)	6'8" (2032mm)	6'2" (1880mm)	5'9" (1753mm)	12" (306mm)
Quad 2" x 8" (51mm x 204mm)	11' (3353mm)	10'3" (3124mm)	9'8" (2946mm)	9'2" (2794mm)	8'7" (2616mm)	16" (408mm)
Quad 2" x 10" (51 x 255mm)	14'11" (4546mm)	13'1" (3988mm)	12'1" (3684mm)	11'2" (3404mm)	10'6" (3200mm)	24" (712mm)
Quad 2" x 12" (51mm x 306mm)	17'2" (5233mm)	15'4" (4674mm)	14' (4267mm)	13' (3962mm)	12'2" (3709mm)	24" (712mm)

# Designing the Deck Frame

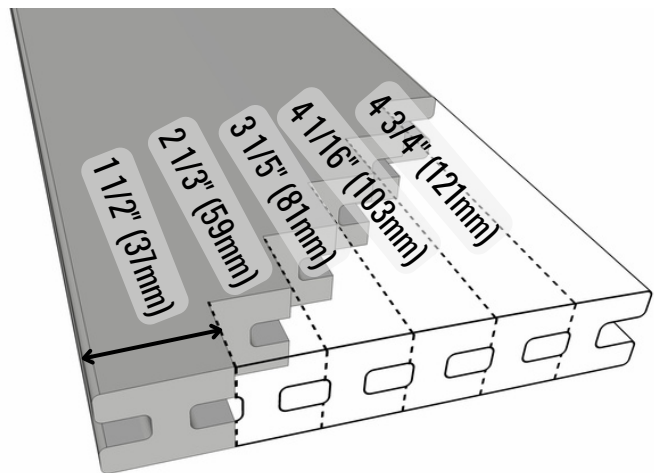
## Planning Your Decking Dimensions

When the decking design is made to run boards in parallel to the house wall, the joists should be installed perpendicular to the house wall to support the boards accordingly. The grooved boards are fractionally less than 6" (144mm) wide, so the finished deck surface from the house wall to the exposed edge opposite can be easily made to any multiple of 6" (152mm), for example 3' (914mm), 3'6" (1066mm), 4' (1219mm), 4'6" (1371mm), etc.

The bullnose of the edge board with standard edge clip goes beyond the timber (rim joist) at the edge by 1" (26mm). This means the decking frame is 1" (26mm) shorter than the finished decking surface, from house to exposed decking edge.

Whilst we advise designing to eliminate lengthways cuts, the grooved boards can be cut or 'ripped' along any of the holes. This creates a new groove into which you place your clip to secure the board.

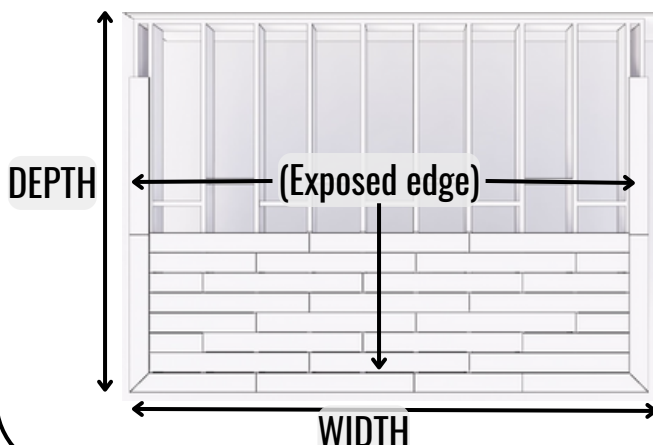
Stick to 12" (305mm) or 16" (406mm) joist centers if at all possible: It'll save a huge amount of thinking, cutting, wastage (cost) and risk of aesthetic compromise.



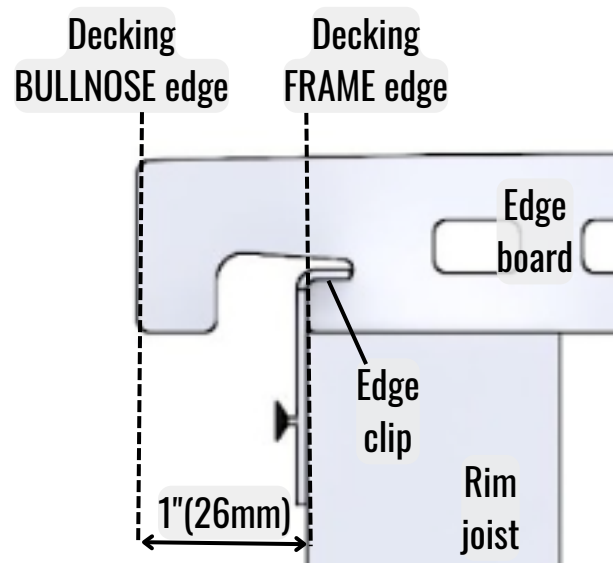
### Terminology: DEPTH and WIDTH

If decking is in contact with house on two edges, install ledger board to the longer wall section.

(House wall/ longest wall section)



Finished deck edge is 1" (26mm) more than timber frame at EVERY exposed edge:



## Joist Layout: 12"(305mm) or 16"(406mm) Centers

Tanzite is as easy to install as composite or wooden decking, but it is a different material with different qualities. Follow our guidance for joist layout, even if you've been installing and designing composite and timber decking for years.

When designing the deck with a 'Picture Frame', the first joist in from both side rim joists should be spaced at 4 1/4"(108mm) on center, to hold the grooved side of the edge board and the ends of the grooved boards. From there, joists should be at 12"(305mm) centers, or 16"(406mm) centers.

### "What if my designed width simply can't accommodate all joists at 12" or 16" centers?"

You should STILL HAVE ALL JOISTS CENTERED AT 12"/16" EXCEPT FOR THE FINAL SPACE between the final joist and the rim joist, which will take up the difference ie. it will be less than 12"(305mm). This will ensure that your 48"(1219mm) Tanzite boards start and end on joists, whilst reducing board cutting to a minimum.

**We can provide a free 3D design** so you can see the board layout. In any case, it is always good practice to **DRAW YOUR DESIGN IN FULL**, including joist positions and all boards. This helps you to plan the installation, whether you will be installing it yourself, or instructing someone else. Through this process, you ensure the layout will work well and look good, planning the cuts to use your boards in the best way.

Your total deck surface width can be **ROUGHLY** calculated like this:

2 x edge board/ rim joist spacing 4 1/4" (108mm) = 8 1/2"(216mm)

plus 1 x width of a joist = 2"(52mm) but this may vary

plus 2 x bullnose overhang 1" (26mm) = 2"(52mm)

plus a multiple of 12"(305mm) or 16"(406mm) = [eg.] 8 x 12"(305mm) therefore 96"(2440mm)

Total deck surface width = [eg.] 108"(2760mm)

### Blocking (bridging) every 5ft(1.5m) between joists

Blocking(bridging) should be installed between all joists, at around halfway, or 5ft(1.5m) along their length.

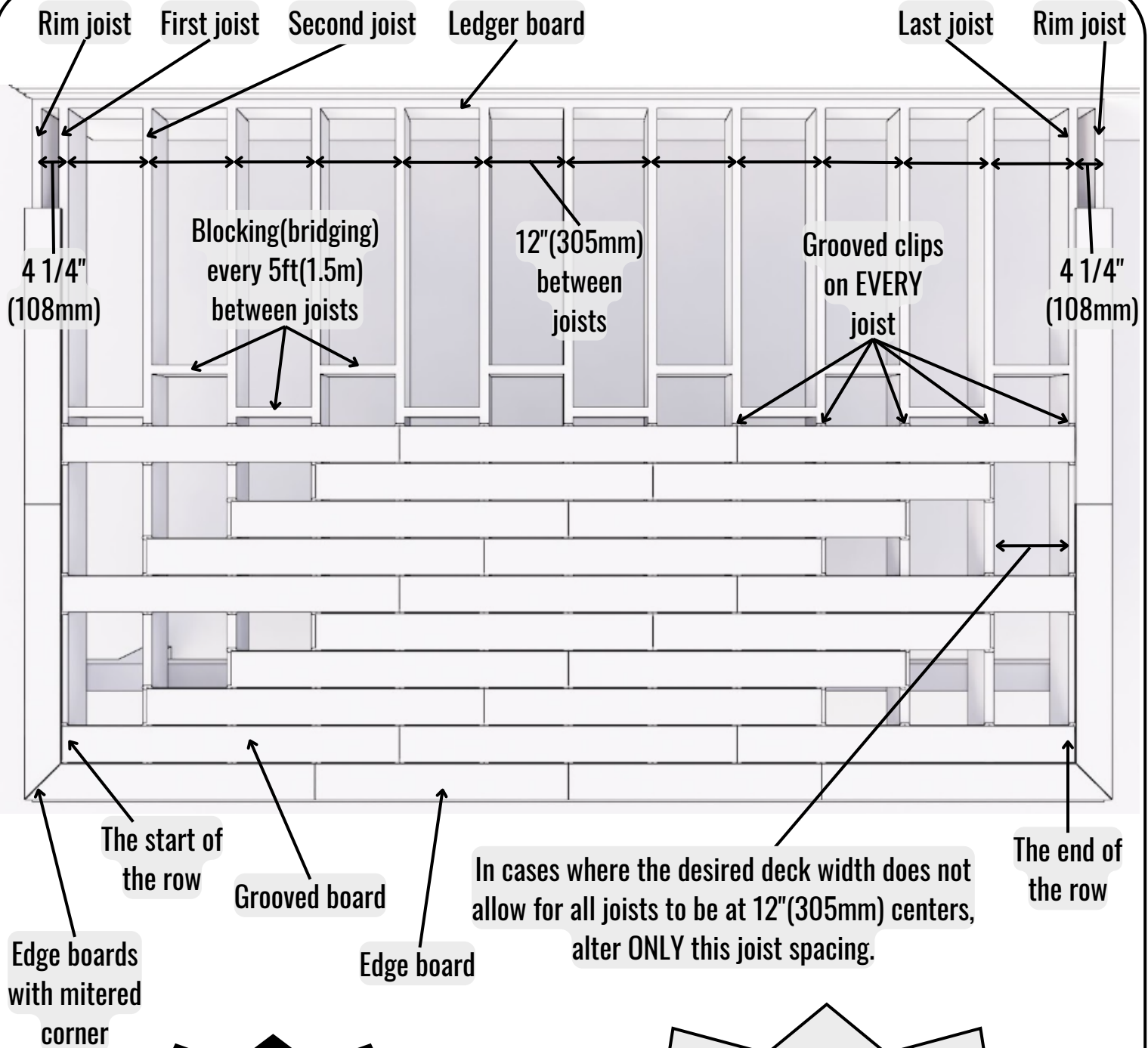


This reduces joist twisting, warping, and further consolidates the deck structure as a cohesive raft on which to install the deck surface.

<u>Joist length</u>	<u>How many rows of blocking?</u>
less than 8'(2.4m)	1
8'(2.4m) to 12'(3.6m)	2
12'(3.6m) to 16'(4.9m)	3
16'(4.9m) to 20'(6.1m)	4

# Designing the Deck Frame

## 12"(305mm) Joist Spacing



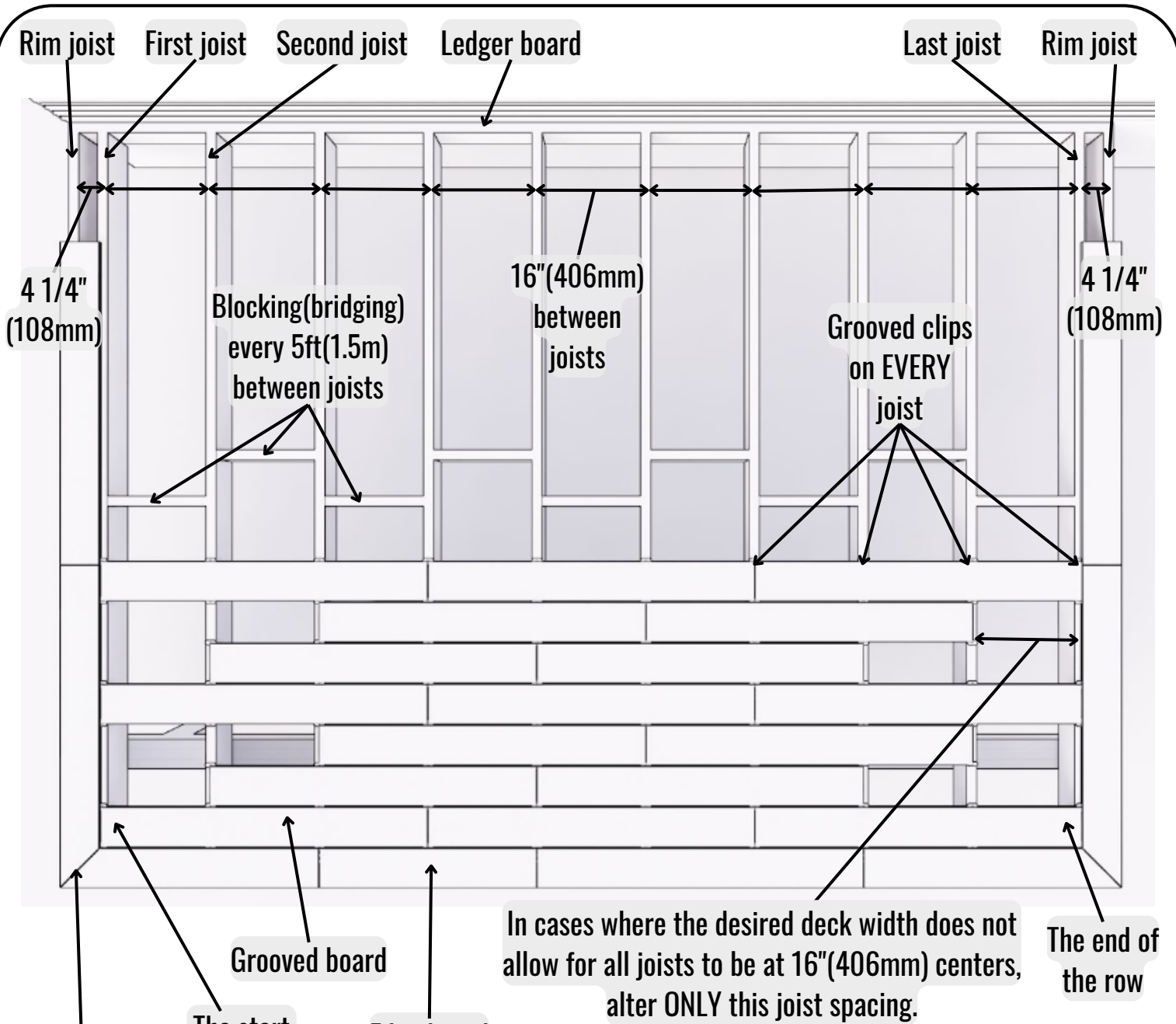
**BOTH ENDS OF EVERY BOARD  
MUST BE FULLY SUPPORTED ON  
A JOIST**

Remember: The edge board overhangs the rim joist by 1"(26mm). The deck frame is therefore 1"(26mm) less at each exposed edge, than the desired finished deck dimensions.

# Designing the Deck Frame

Tanzite  
STONEDECKS

## 16"(406mm) Joist Spacing



**BOTH ENDS OF EVERY BOARD  
MUST BE FULLY SUPPORTED ON  
A JOIST**

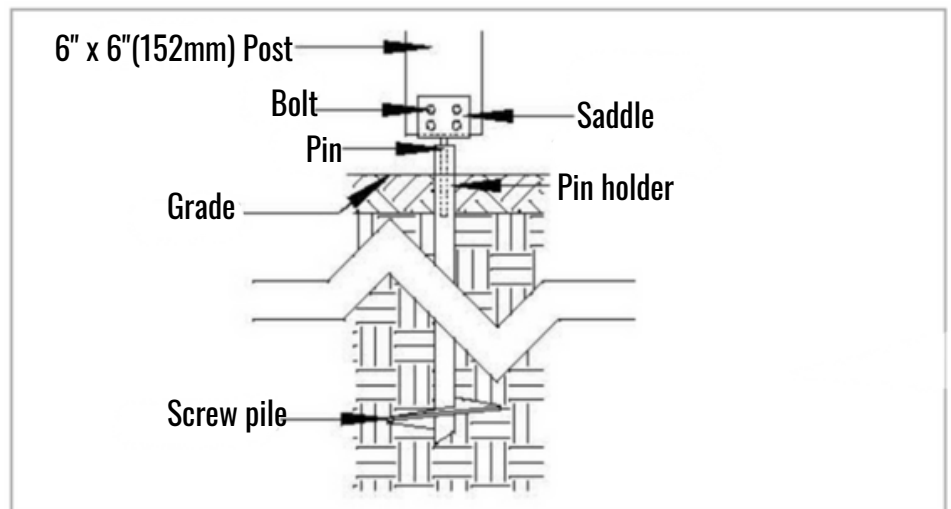
Remember: The edge board overhangs the rim joist by 1" (26mm). The deck frame is therefore 1" (26mm) less at each exposed edge, than the desired finished deck dimensions.

## Foundation:



1. Determine where each pile is to be located and ensure there are no buried hazards, such as gas lines, cables or pipes.
2. Use a screw pile, a concrete footing, or other foundation, as allowed by your building code.

NOTE: Ensure the post spacing complies with local building codes.



## Ledger Board:



1. Determine the desired finish height of the deck.
2. Attach the ledger board 1" (26mm) below the desired finish height to the house using an approved lag bolt, or other load-rated fastener.

Alternatively, the deck could be free-standing, ie not in contact with the house. To achieve this, use a second row of piles to support a second beam.

## Post and Beam



1. Build a beam of the length you will need. Use the chart provided to determine the minimum beam size needed for your post spacing. We recommend building a triple-beam fastened together every 16"(406mm) and glued.
2. Determine the height you will need for each post. Ideally, place the beam directly on top of the posts so that the posts naturally take the weight of the beam, and therefore the decking.
3. Fasten the beams to the posts. Regulations in some areas require that hurricane clips hold the beam to the posts.

**PRO TIP:** When your joists arrive on site, lay them all next to each other on their thin edge with any crown/arch facing upwards. Select the flattest tops to be your joists, and the worst to be blocking (bridging) and bracing.

Now, place the selected joists next to each other, switching them around to match their tops as closely as you can between neighbouring joists. With joists installed, use a planer or surform to further reduce high points. If needed, plane the joists even to each other.

## Joists



1. Determine the desired finished height of the deck.
2. Install the left-hand rim joist using joist hangers to secure it so its top is flush with the top of the ledger board. The first joist in from the rim joist should be spaced to 4 1/4"(108mm) on center to hold the groove of the edge board.
3. Progress along, placing and fixing joists, with any crown/ arch in the wood facing skyward. Ensuring joists are correctly centered to support the ends of the Tanzite boards.
4. Use a long level to compare neighbouring joists using a planer to fine-tune.
5. Install blocking (bridging) every 5ft(1.5m) along the length of the joist.
6. Install the rim board along the open ends of the joists above the beam.
7. Ensure that the finished joist structure is even and that there are no protruding nails or screws. Tanzite is tough and has some flexibility, but it should be installed onto an even surface.
8. As per typical railing manufacturer requirements, install blocking where every railing post will be mounted, and to the neighbouring joist space also.
9. Apply cushioning joist tape to the tops of joists to protect them from water, and allow flexibility.

Spacing between joists should be 8"(203mm), 12"(305mm), or 16"(406mm) center to center. If not, we recommend that you budget for 10% additional board waste.

# How to Install an Appalachian Deck

# Tanzite

STONEDECKS

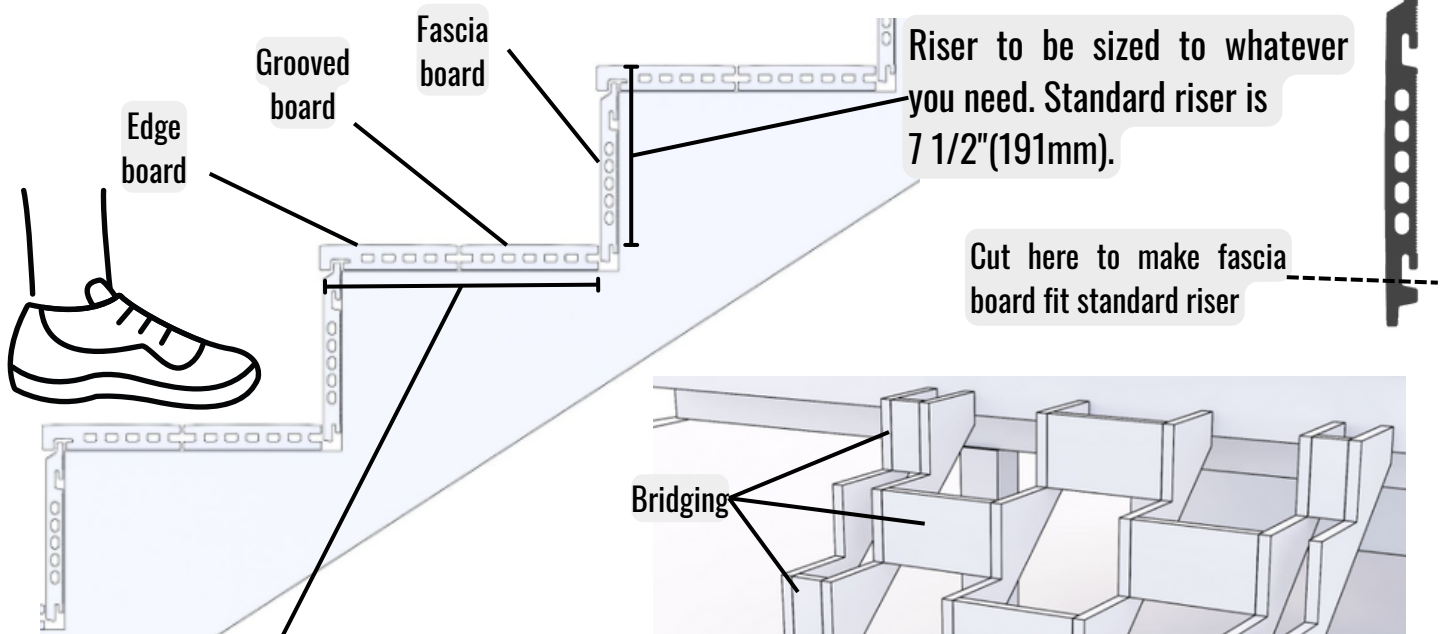
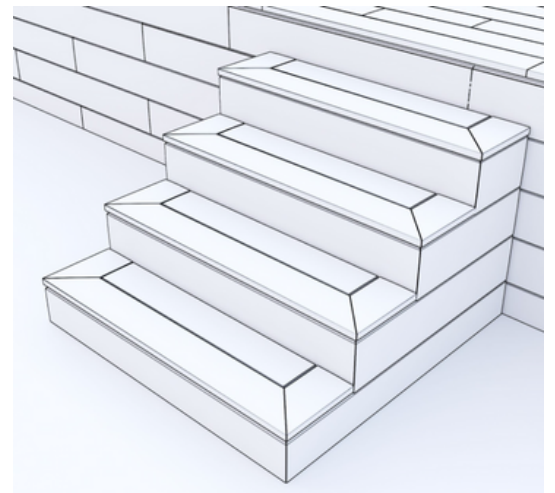
## Steps

Choose your tread and riser dimensions to reduce Tanzite cutting to a minimum. We recommend you design for:

- Tread depth equal to two Tanzite boards 12"(305mm).
- Tread (and riser) **width** equal to a full Tanzite board length 48"(1219mm) or a multiple of 12"(305mm) for minimal wastage.
- Riser **height** typically 7 1/2"(191mm), which is achieved by ripping (cutting lengthways) a fascia board.

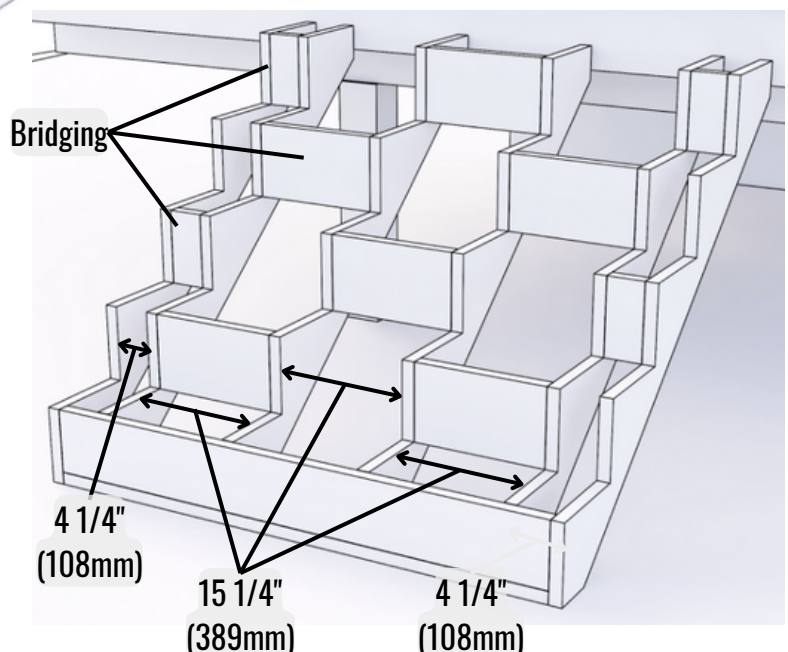
If your steps are a single board width, install strings at even centers, with 4 1/4"(108mm) spacing to support the edge board, which will overhang by 1"(26mm) at all edges. If your steps are longer, plan your string centres to ensure that every board ends on a string, fully supported by timber.

Stair frame width suggestion: Full board length minus 1"(26mm) at either end for bullnose, therefore 45 3/4" (1167mm)



Tread is ≈12"(295mm) to allow for one edge board and one grooved board per tread.

**PRO TIP:** Glue or screw a diagonal '2x4 timber to one or both sides of the stair stringers to strengthen them.





## Installing a basic step structure and Tanzite:

1. Cut stair strings and place them next to each other to check/ adjust to ensure that they are as close to identical as possible, in order to provide full support for the Tanzite boards.
2. Install the strings, using a long level to ensure to match at every point in all dimensions.
3. With strings in place install bridging on every step to ensure strength with minimal risk of twisting or other movement in the timbers.
4. Install timbers on the sides to provide fixing points for the fascia clips.

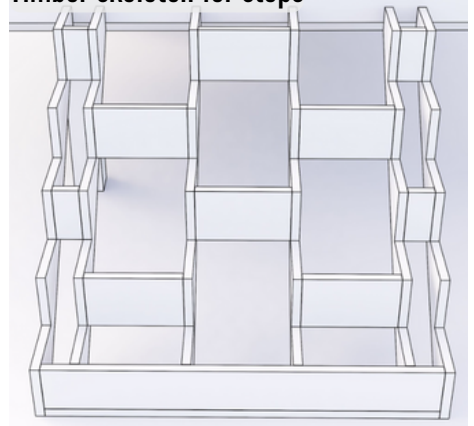
Refer to the pages for details regarding cutting and fixing edge boards and fascia boards, and railings if you require.

Use shims to fill even the slightest gap between a joist top and the board it should support. This will ensure that the board is fully supported, and that the clip is not warping the board.

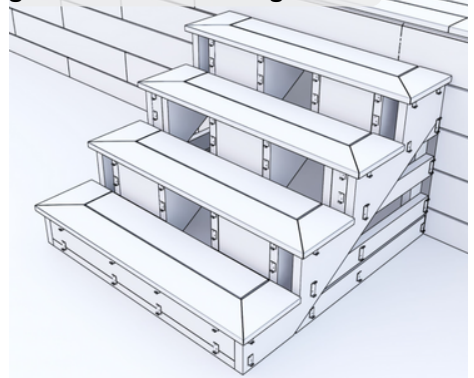
**Failing to support the Tanzite board at each joist, at maximum 16"(406mm) centers will result in the board failing.**

**PRO TIP:** If using joists or stringers that are not perfectly straight, line them up together and plane them to create a perfect set.  
**NOTE:** Planing individual joists or stringers is not recommended.

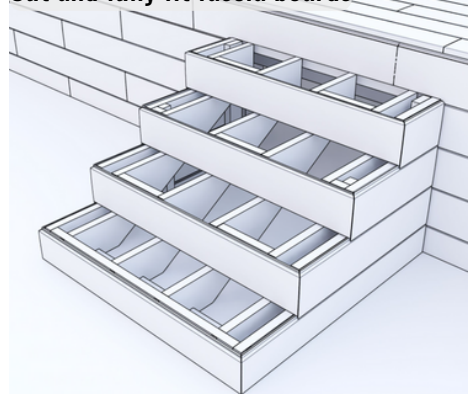
Timber skeleton for steps



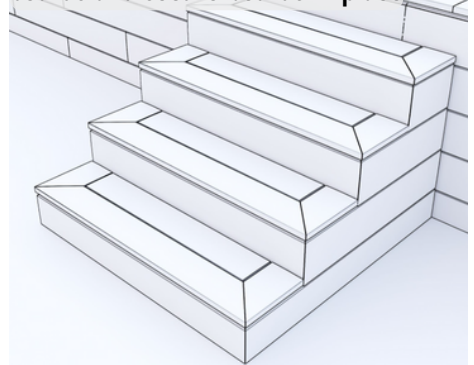
Fix fascia clips, cut and dry-fit grooved boards and edge boards



Cut and fully fit fascia boards



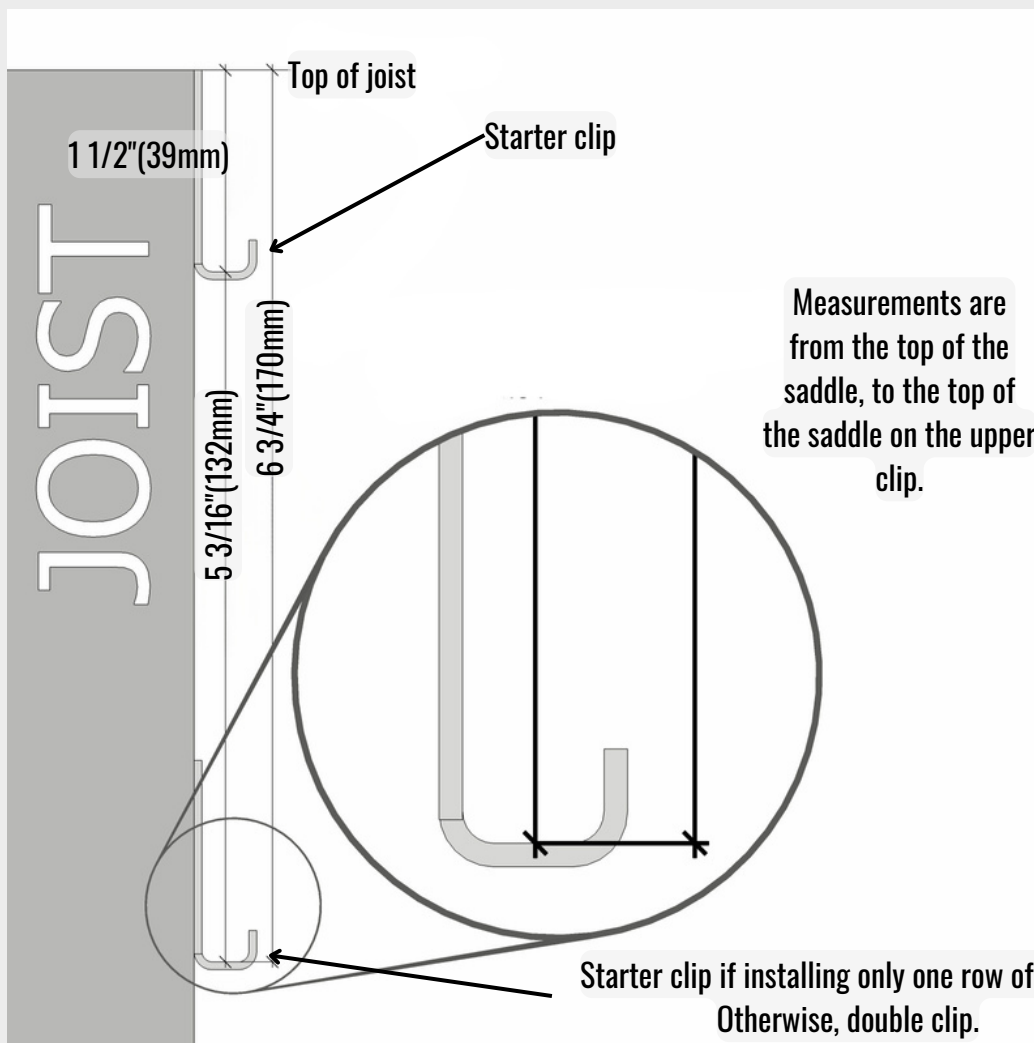
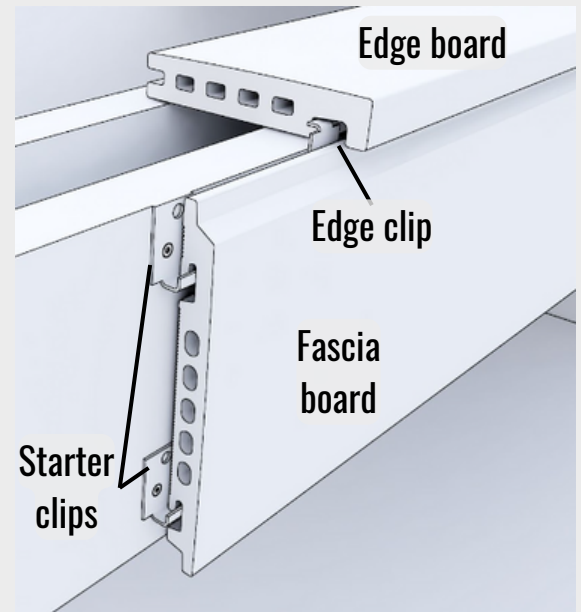
Fix clips for edge boards and grooved boards and secure boards in place



## Installing Fascia Boards

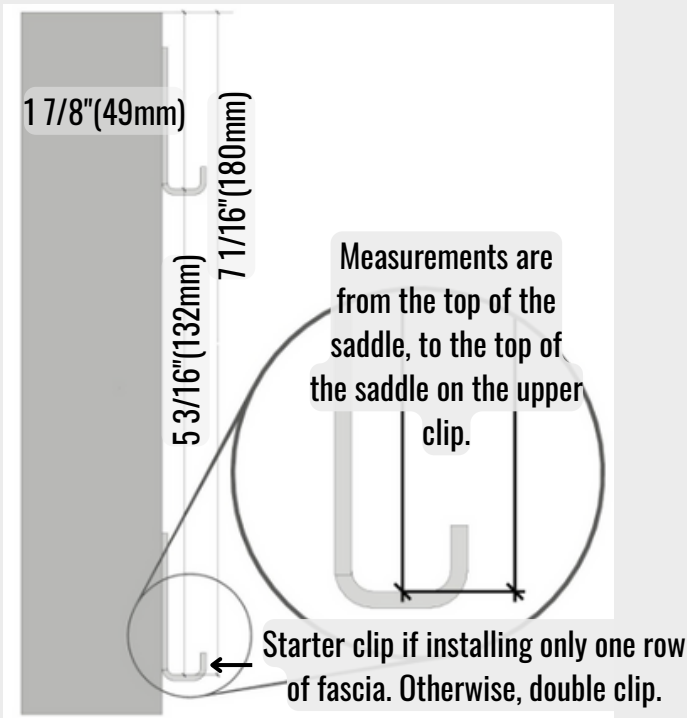
### Single/ top fascia board

- The top fascia board is installed BEFORE installing the edge boards, to have a flush finish. If you want to install the fascia board AFTER the edge boards, leave a 3/8" (10mm) gap between them- see following page for alternative fascia fixing methods.
- Fix a starter clip flush to the top of the joist. Then use another one if installing only one row of fascia board, or if you will install two or more rows, read the following pages for further instructions.
- Install the edge clips before installing the fascia boards.



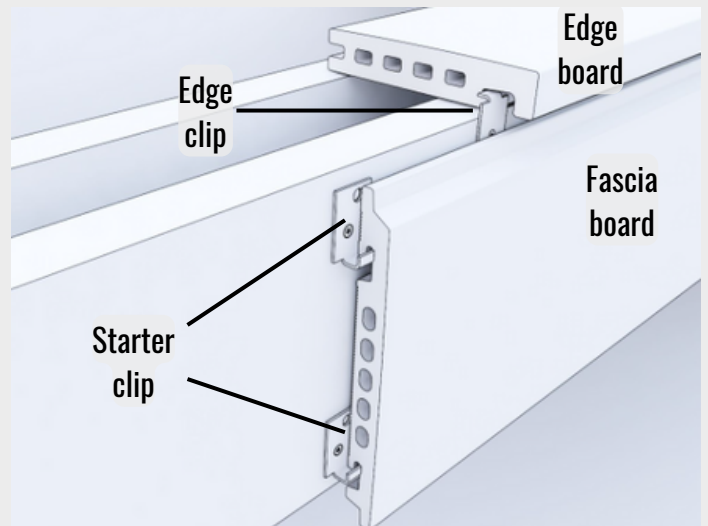
## Fascia Boards: Top Row Alternative Methods:

### 1. With a 3/8" (10mm) gap between the edge board and fascia board

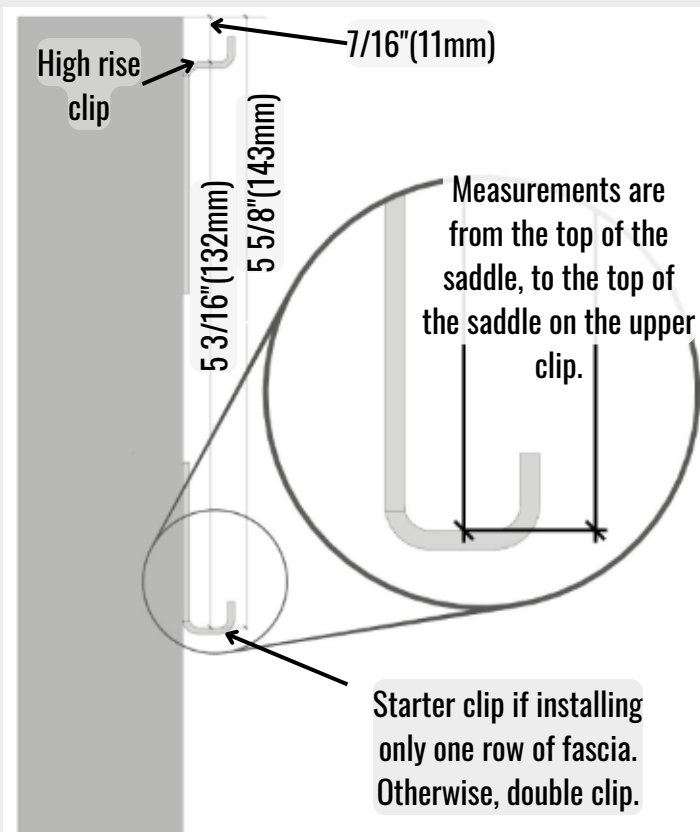


For this method, Install the starter clip 3/8" (10mm) lower.

This can be installed AFTER the edge boards.



### 2. Fascia flush to top of the grooved boards covering their visible sides

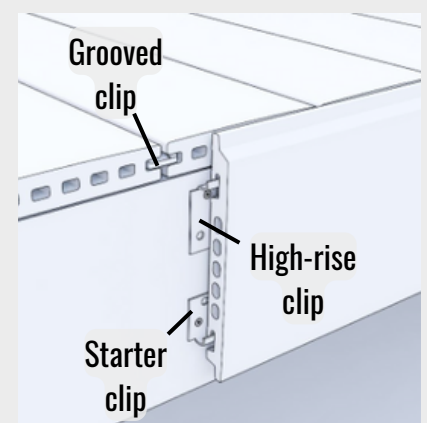


Install high-rise fascia clips 1 9/16" (40mm) below the top of the grooved boards.

The flush top allows you to install no edge board and therefore no rim joist. This will affect your decking frame dimensions.

This can be installed AFTER the grooved boards.

NOTE: The rear side of the fascia board is slightly visible when using this method. It has a different appearance to the front side.



- Once you've decided which of the three methods you'll use, continue to install clips between 1"(26mm) and 12"(305mm) from either end of the board, four clips per board, two for the top groove and two for the bottom groove.
- Miter cut the fascia board to finish the corners and always dry-fit the pieces before applying adhesive to ensure they fit well. Some of the back of the board will be visible after rounding/beveling the cuts.
- Finally, apply outdoor adhesive (Loctite PL400 or similar) on each clip and place each fascia board.

## Double fascia board

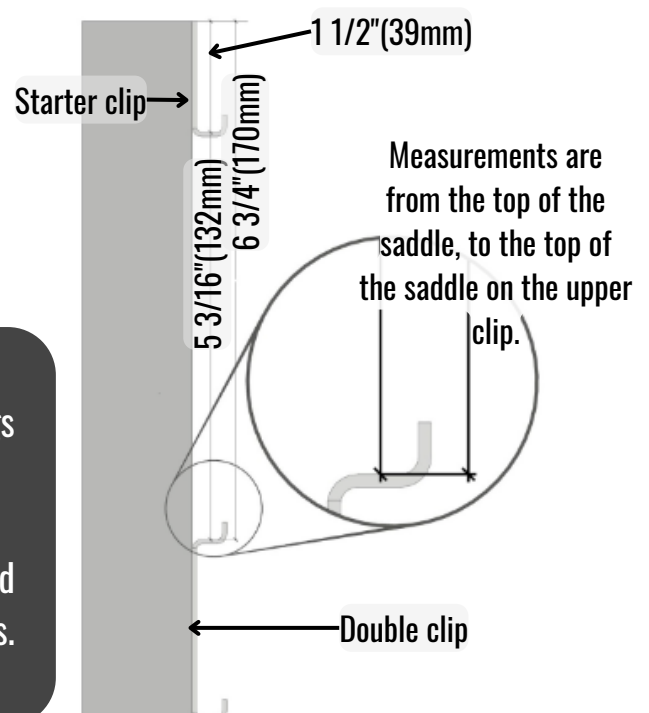
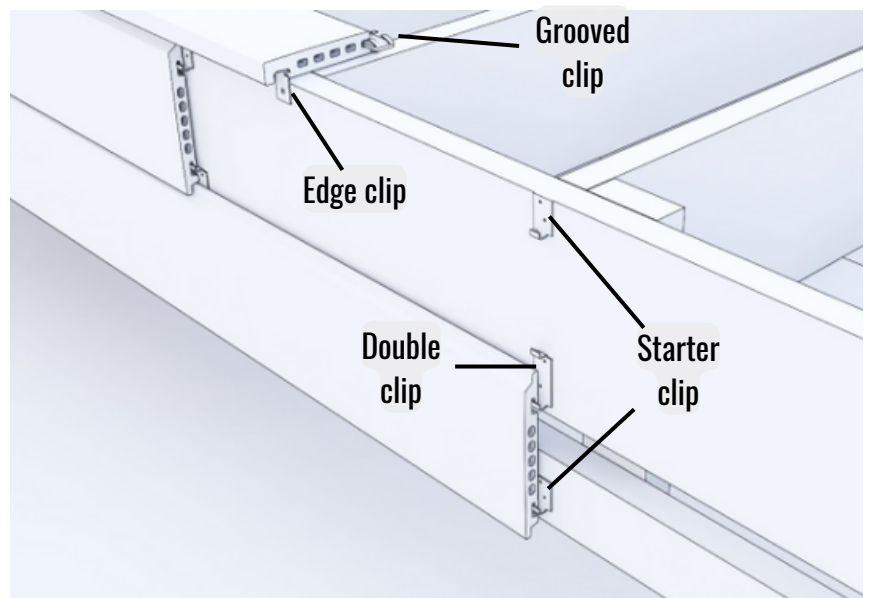
Follow the instructions for installing a single fascia board, but use a double clip to hold the lower groove of the top board and the upper groove of the bottom board.

If the clips for the bottom board need to be fixed below the reach of the rim joist, install short vertical studs wherever you require clips, with one horizontal stud, which must be the same depth as the rim joist to ensure the fascia will sit plumb.

Cut and fit the fascia boards as you would a single board (full instructions on previous page).

### PRO TIPS:

- For a neat finish, ensure the edge board overhangs the rim joist enough to cover the top of the fascia.
- Do miter cuts (for corners) first, then any other cuts.
- To minimize chipping visible edges, score the finished side of the board prior to making your miter cuts. Then, sand a bevel to the finished side of the cut.



# How to Install an Appalachian Deck

Tanzite  
STONEDECKS

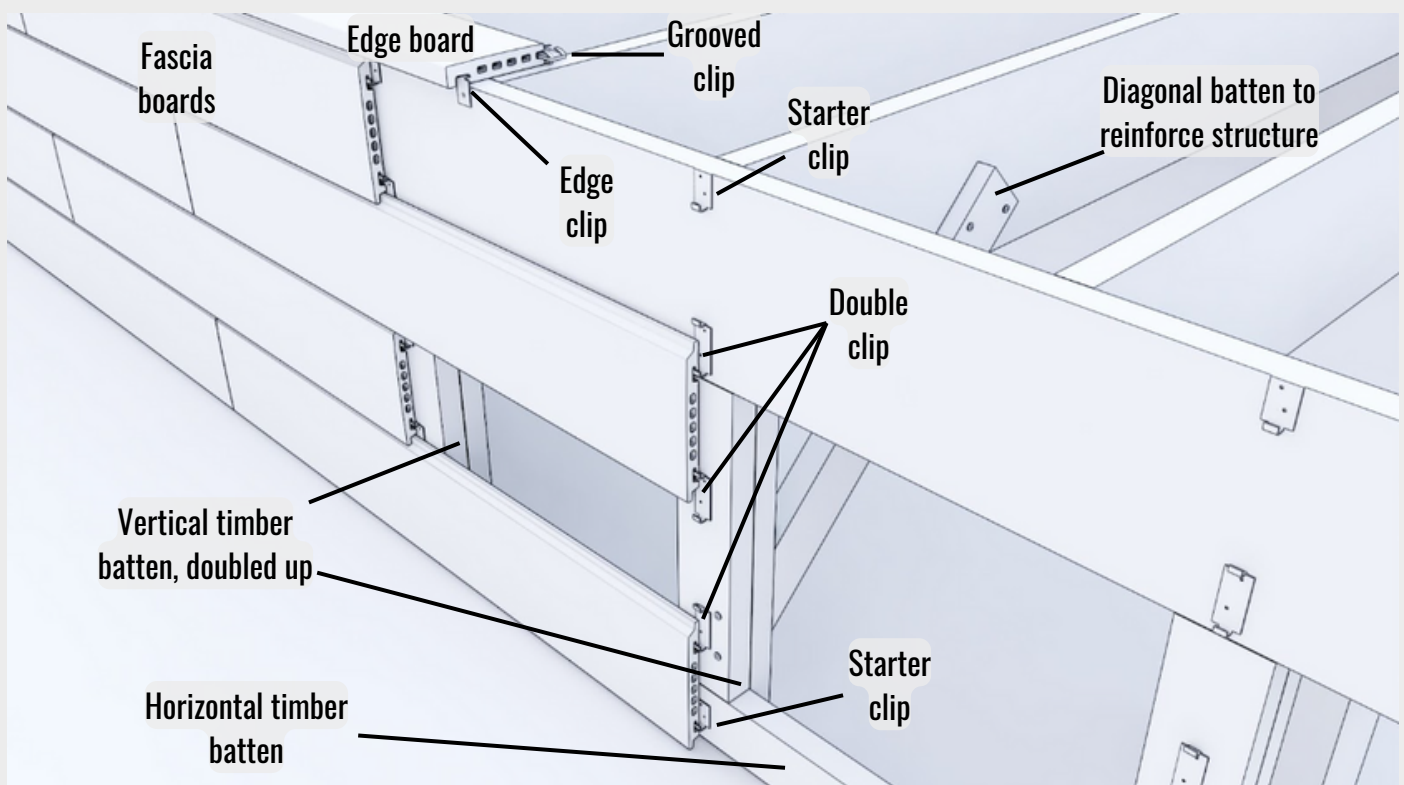
## Deck Siding Using Fascia Boards

Install the top fascia board as you would a single fascia board (described in full on previous pages), except that a double clip is required to hold the lower groove of the top board. Continue downwards, installing double clips until you reach the last fascia board.

To achieve this, you will need to install vertical studs from the rim joist, wherever you require a vertical line of fascia clips, then brace them with timber angled back to the deck frame. These vertical studs must be plumb. Timber, the same thickness as the joist, can then be fixed vertically to the face of the studs, on to which the fascia clips will be fitted. One horizontal stud should be fitted behind the vertical studs to stabilize the structure.

Once you have installed the necessary structure, and double clips down to the position of the lowest fascia board, install a starter clip for the lower groove, 7 5/8" (194mm) down from the final double clip to the top of this starter clip.

Return to the instructions at the top of the previous page for installing fascia board, and complete your fascia accordingly.



# How to Install an Appalachian Deck

# Tanzite

STONEDECKS

## Installing Edge Boards

Start from the exposed edge opposite the house wall, using edge board like a picture frame, and then filling it in with grooved boards until you reach the house.

Use shims to ensure boards fully supported at joists

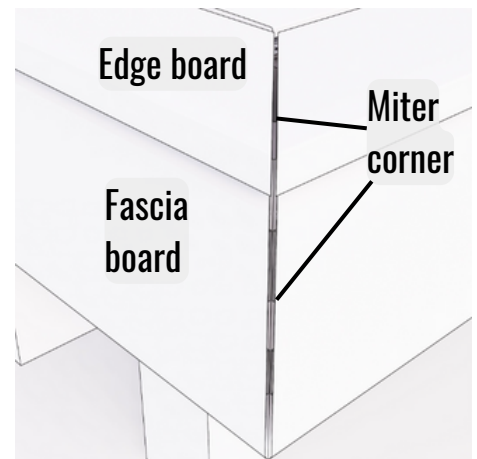
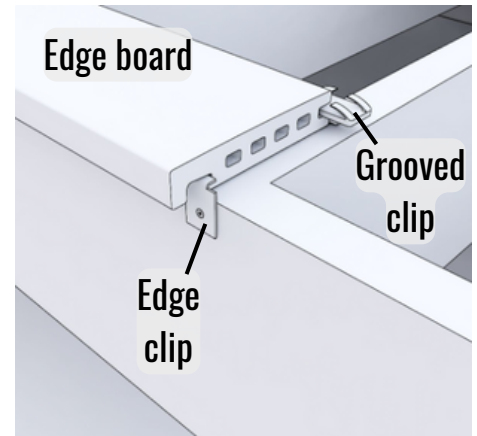
1/12"(2mm) gap at butt end joint

Install clips on every joist

### Edge board installation with edge clips:

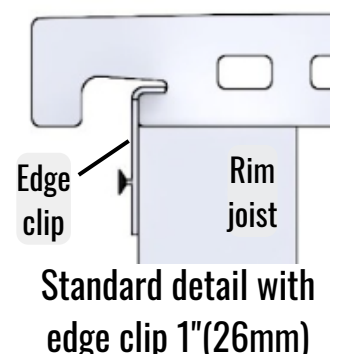
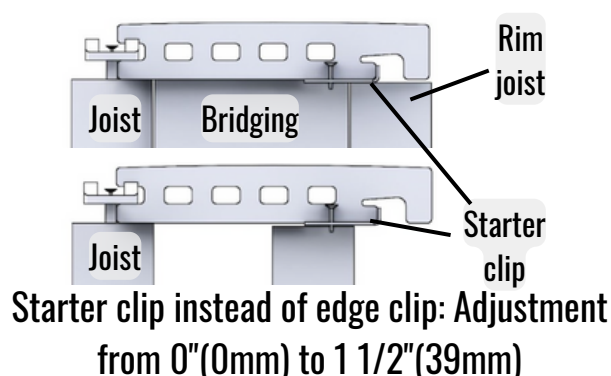
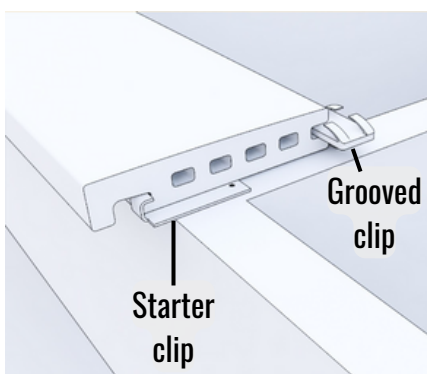
For a bullnose overhang of 1"(26mm) beyond deck frame.

1. Cut miters for the exposed corners of the deck. If your design has two corners you could reduce wastage and cutting by using your miter cut to divide a full board into two useful corner pieces. The corner pieces on the exposed edge opposite the house, must end on a joist. The edge boards on the exposed edges with rim joists are fully supported by the inner rim joist.
  2. Hold your mitered edge pieces in place with two edge clips, and then loosely install one grooved clip to the inside of the mitered corner. Do not tighten it up yet.
  3. Working from your corners in any direction, place one edge board at a time, securing it lightly with two edge clips per board. If you have not planned your decking dimensions to eliminate lateral cuts, make the cuts that you require, placing those short sections either next to the house, or in the center of an exposed edge with two corners.
- Some of the back of the board will be visible due to sanding the bevel at the cuts.



### Alternative edge board installation to achieve bullnose from 0"(0mm) to 1 1/2"(39mm), using starter clips as an alternative to edge clips:

The edge board can also be installed using starter clips. This will allow you to overhang the rim joist from 0"(0mm) to 1 1/2"(39mm). This may be advantageous if the deck isn't truly square.



# How to Install an Appalachian Deck

Tanzite  
STONEDECKS

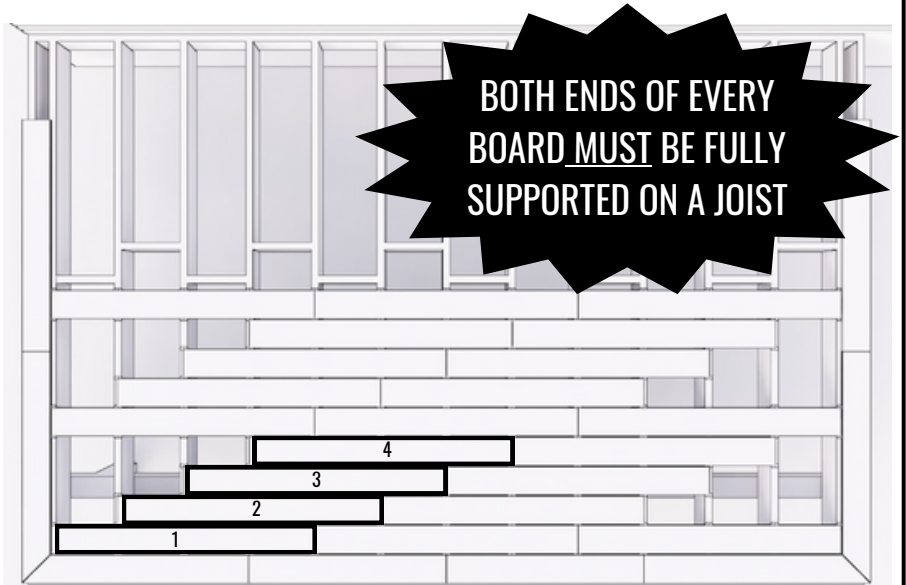
## Installing Grooved Boards

With your decking now 'framed' by the edge boards, it's time to 'fill it in' with grooved boards, starting from the exposed edge. For joists spaced at **12"(305mm) centers**, use a **four-row stagger**, as indicated in diagram. Full boards reach across five joists. Use shims to ensure they are fully supported on each joist.

The second, third and fourth rows start progressively one joist further on. Cut boards as required to fill the spaces.

The fifth row starts back on the first joist. Repeat this pattern until the deck is complete.

Alternatively, a two-row stagger also works well for 12"(305mm) joist spacing.



**PRO TIP:** Before starting, cut one board carefully at 12"(305mm), which gives you a 36"(914mm) piece as well. Then, cut another board in half so you have two 24"(610mm) pieces. You can then use these to create the perfect stagger in your layout.

For joists spaced at **16"(406mm) centers**, use a **three-row stagger** pattern. Boards will reach four joists.

The second and third rows start progressively one joist further on. Cut boards as required to fill the spaces.

The fourth row starts back on the first joist. Repeat this pattern until the deck is complete.



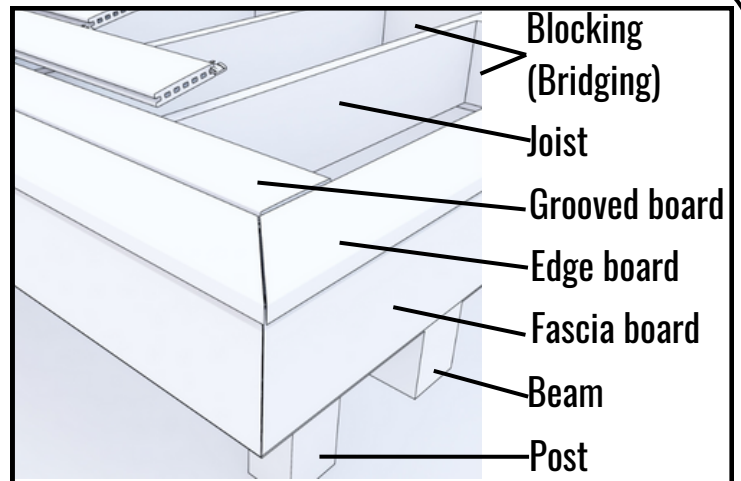
**PRO TIP:** Before starting, cut a 16"(406mm) piece that will be used to start your second row. The offcut will be just what you need to start your third row.

Place your first row of grooved boards, with grooved clips at every joist.

Don't screw them tight yet- leave two or three rows loose as you progress. This allows final adjustment and flexibility as you place the next row. Use this to hide any slight warpage in the boards, improving the decks appearance further.

Leave 1/12"(2mm) between boards to allow for timber movement.

Continue to place rows until you reach the final row, next to the house.



### Improve the overall appearance of your Tanzite deck:

- Install any chipped boards in an inconspicuous place where they are less visible.
- Ensure 1/12"(2mm) gap where butt ends meet.

**PRO TIP:** If the deck is not perfectly square, adjust the gap between each row of boards to gradually bring it back to square by the time you reach the final board. Leave the clips loose to allow final adjustment before screwing down.

**Install clips at every joist.**

Use shims to fill EVERY gap between joist top and the board, before screwing down fasteners, to ensure that all boards are fully supported, and that the clips are not warping the boards.

**Failing to support the Tanzite board at each joist, at maximum 16"(406mm) centers will result in the board failing.**



## Install your final row of grooved boards

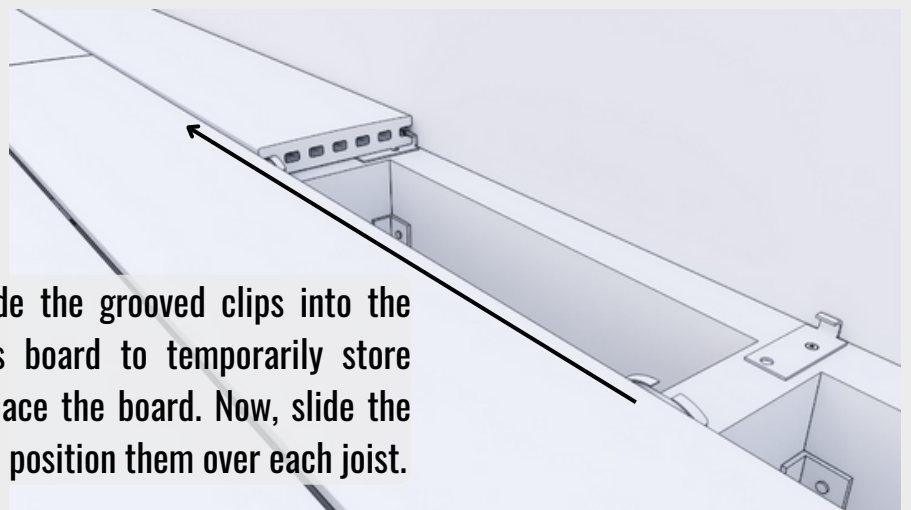
1. Install the starter clips adjacent to the house wall, with one clip centered on each joist. The starter clips don't need to be evenly spaced, but they must be in a straight line and squared to the deck's rim board to make installation easy. Use a chalk line or long level to ensure accuracy.
2. Place the first grooved board in the final row, and slide the clips along the grooves to position one over every joist.
3. Repeat the process until you reach the final board.
4. Before placing the final board, count how many grooved clips you'll need to provide a fixing into each joist, and then slot them into the groove of the previous board in the row so they are tucked out of the way.
5. Place the final board and then slide the clips along the groove into place over the joists, including the final joist where the grooved boards meet the edge boards.
6. Adjust boards so that the gaps are as similar as possible.
7. Screw down all clips taking care not to overtighten or warp the boards.

If you need to slide in the final row of grooved boards to fit them under a doorstep or siding on the house wall:

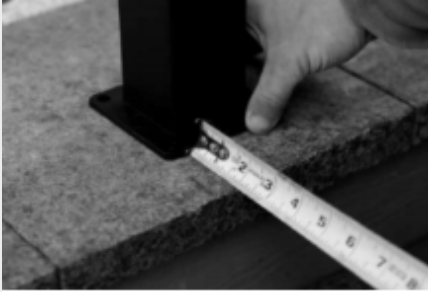
1. Fix the starter clips with two screws to prevent them twisting as the board slides into place.
2. Remove the edge board next to the house wall.
3. Slide the final row of grooved boards into place.
4. Replace the edge board.

With all boards in place, store unused boards and clips together in case of future repair/ replacement.

For the final board: slide the grooved clips into the groove on the previous board to temporarily store them out of the way. Place the board. Now, slide the clips along the groove to position them over each joist.



## Railings



Installing fascia mounted railing will avoid the need to drill through Tanzite. Alternatively, use surface mounted railings:

1. Determine the location of each railing post and mark on the Tanzite where you require holes for the railing post fixings.
2. Pre-drill each hole using a diamond hole saw, or tile drill bit that is at least 1/12"(2mm) larger than the screws that you will use to fix the railing. The screws should be loose as they pass through the hole and the Tanzite must be evenly supported by the wood beneath it, when drilling and when installed, to reduce the risk of breakage.(See Extra Recommendations sections in this manual).
3. Tighten the screws slowly. If needed, place a shim between the post base and Tanzite board to make the post plumb.
4. Complete the railing as per manufacturer's specifications.

- Always check local building codes for railings.

**\*\*\*Do NOT use a hammer drill.  
Do NOT use a masonry bit\*\*\***

### **AVOID CUTTING METAL ON THE DECKING:**

Hot metal sparks can melt and adhere to the surface of Tanzite, potentially causing discoloring.

# General Advice for Installing, Maintaining and Repairing Tanzite

**Tanzite**  
**STONEDECKS**

## **Cleaning rust stains**

Rust stains can be cleaned using a non-acid rust remover. We suggest using Evapo-Rust cleaner.

<https://www.evapo-rust.com/evapo-rust-remover/>

## **Sanding Tanzite**

Edges and corners, especially after making a cut, should be sanded smooth using a diamond sanding pad. We supply diamond sanding pads on our website.

## **Drilling Tanzite**

Tanzite can be drilled with a regular drill (do not use a hammer drill or masonry bit) and a diamond hole saw. Holes must be drilled to be at least 1/12"(2mm) larger than the screw, so that the screw will not touch the Tanzite. The Tanzite acts as a spacer. Ensure Tanzite is flat and fully supported on timber blocking whilst drilling, and when installed to prevent Tanzite breakage. Tanzite has abundant compressive strength, but should not be subjected to torsion (eg installed or drilled on uneven base).

Drill bit life can be extended by using water. 'Glass and tile' drill bits work well. We suggest Bosch Glass & Tile. <https://www.boschtools.com/us/en/boschtools-ocs/glass-and-tile-bits-39422-c/>

If you are drilling more than a few holes we suggest using a drill press to drill faster and extend the life of drill bits because the drill press allows you to put sufficient pressure and water on the bit without fatiguing. We suggest using a small portable drill press like the 10" Ryobi.

<https://www.ryobitools.com/products/details/33287163342>

## **Cutting Tanzite Stone **\*\*If dry cutting wear an approved dust mask or respirator\*\*****

Tanzite can be cut with a regular saw using a diamond blade. Using a continuous thin-rim diamond blade will make a cleaner cut. We suggest using a glass/ tile/ porcelain blade. A hand-held grinder (angle grinder) with a diamond blade, works well for detailed cuts, for example to fit a board around a gas pipe. If you're making a lot of cuts we suggest using a wet tile saw. After making each cut, round the edge using a diamond sanding pad.

## **Caution when cutting Tanzite as it may produce silica dust**

Airborne dust during cutting can be reduced with water and adequate ventilation, but you should always consider appropriate personal protective equipment including respiratory, eye, sound and vibration protection.

# General Advice for Installing, Maintaining and Repairing Tanzite

**Tanzite**  
**STONEDECKS**

## **Joist protection**

Use cushioning joist tape because:

1. It extends the lifespan of the joists.
  2. It absorbs some movement in the joists, as they naturally shrink, swell or twist over time.
  3. It helps to absorb the force of impacts to the surface of the deck.
- We supply cushioning joist tape on our website.

## **Color enhancement sealer**

Sealing Tanzite can make the color brighter and more vibrant, similar to how it looks when wet. We suggest Enrich'N'Seal™ from Aqua-Mix.

<https://aquamix.com.au/products/sealers/enhancing-sealers/enrichnseal/>

## **Regular cleaning**

Simply wash down the Tanzite as needed, preferably with eco-friendly cleaning products. A pressure washer can be used also. For regular cleaning, we suggest Spray & Forget Outdoor Cleaner.

<https://www.sprayandforget.com/product/sfhdspry/>

## **Cleaning grease stains**

Wash the grease stain using a concentrated solution of detergent; we suggest Dawn Platinum. If the stain persists, use an engine oil degreaser. We suggest Purple Power Industrial Strength Cleaner/Degreaser.

<https://www.clean-rite.com/industrial>

## **Cleaning paint splatter**

Use a paint splatter remover to clean off the paint. If the paint has dried, use a graffiti remover. We suggest Goof Off Graffiti Remover.

<https://gooffproducts.com/graffiti-remover-non-nmp/>

## **Chip repair**

If you get a small chip in the stone, it can be colored to visually hide the chip. We suggest using a Sakura Pen-Touch paint marker.

<https://www.sakuraofamerica.com/product/pen-touch/>

# General Advice for Installing, Maintaining and Repairing Tanzite

**Tanzite**  
**STONEDECKS**

## General maintenance

Clean Tanzite with soap and water and/or a pressure washer. You can also use an eco-friendly ice melter for ice, a degreaser for grease stains, and any other cleaning products that specify that they are suitable for natural stone. Avoid using harsh chemicals or acids.

Once a year, or as needed, check that no clips have been disturbed and that the decking structure and railings have not moved or deteriorated. Also check that the Tanzite has not become damaged. Replace any damaged or deteriorated components of the deck.



Problem	Solution
<p>Tanzite board cracked when:</p> <ul style="list-style-type: none"> <li>• I screwed it down.</li> <li>• I stepped on it.</li> <li>• I installed railing posts.</li> </ul>	<p>One way or another, the board has been subjected to strain that is not designed for, most likely because it is not fully supported.</p> <p>The board must be installed onto an even timber structure with no protruding timber, screws, nails, or any other cause of unevenness. When building your decking frame, ensure each joist makes contact with each Tanzite board, at each intersection. Use shims if needed to achieve this. Install blocking(bridging) every 5ft(1.5m) along the length of the joists, and under each railing post as, without adequate blocking, the joists can twist more than Tanzite boards can accommodate.</p> <p><b>Establish the cause of the problem:</b> If accessible, look underneath the deck to see it in situ. Otherwise, loosen the clips and remove the board.</p> <ul style="list-style-type: none"> <li>• Ensure there is nothing protruding from the deck- screw, nail, timber, site rubbish of any kind (it happens).</li> <li>• Ensure board rests on (makes contact with) all joists that it passes over, and that a clip is installed at every joist, on each edge of the board. Ensure a clip is installed at every corner of every board.</li> <li>• Ensure that no clips are forcing board downwards to achieve contact with the joist. If so, release the screw, insert a shim to fully fill the gap between joist and board, and tighten the screw to secure the shim in place.</li> <li>• Ensure adequate beam size, beam span, joist size and joist span were used so that the structure is sufficiently not robust and not strained.</li> </ul> <p><b>Once you have identified and resolved the issue,</b> removing any obstruction, or adding shims as required to achieve full contact at every joist without using the screws to force the boards down, <b>install a replacement piece, tightening the clip screws lightly but securely.</b></p> <p>Finally, <b>apply whatever you found to the rest of the deck,</b> reducing the risk of any other breakage by ensuring all boards are fully supported, using shims where necessary, and removing any other protrusions.</p>

Problem	Solution
Concrete, Cement, stucco	<p>Avoid getting concrete, cement or stucco dust on the Tanzite deck by covering it with board and sheets when working nearby with concrete, cement or stucco. However, accidents happen, and you can use a concrete disolver and scraper to remove concrete, cement and stucco from the surface of Tanzite. Avoid any harsh chemical or acidic products.</p>
Paint splatter	<p>The same applies to paint- it's just easier to cover it properly, than clean off mess and risk damage afterwards. Use a paint splatter remover to clean off the paint. If the paint has dried, use a graffiti remover. We suggest Goof Off Graffiti Remover. <a href="https://gooffproducts.com/graffiti-remover-non-nmp/">https://gooffproducts.com/graffiti-remover-non-nmp/</a></p>
Debris, dirt, mud Ice and snow Grease	<p>Clean Tanzite using a firm brush, with soap and water or a pressure washer. You can also use an eco-friendly ice melter for ice, a degreaser for grease stains, and any other cleaning products that specify that they are suitable for natural stone. Avoid using harsh chemicals or acids.</p>
Hard water staining	<p>Hard water has a high concentration of minerals such as lime, silica and calcium, due to the geology from which it is sourced. When it dries out, minerals may be left behind as a visible deposit on the decking, which can be removed using white vinegar, and then thoroughly rinsing using a hose or power washer. If needed, use a hard water stain remover.</p>
Rust stains	<p>Rust stains can be cleaned using a non-acid rust remover. We suggest using Evapo-Rust cleaner. <a href="https://www.evapo-rust.com/evapo-rust-remover/">https://www.evapo-rust.com/evapo-rust-remover/</a></p>
Chipped edges	<p>Score Tanzite before cutting it. Use a fine and thin, continuous-rim diamond blade on a wet saw to reduce chipping to a minimum. Sand the edge to smooth it. Most chips can be removed by sanding a bevel into the cut edge. If needed, use a paint touch-up pen to reduce visual impact. Where possible, install any chipped edges in places where they are less visible.</p>

# Docks, Pontoons, Floating Terraces, Diving & Fishing Platforms, Boatdecks

# Tanzite

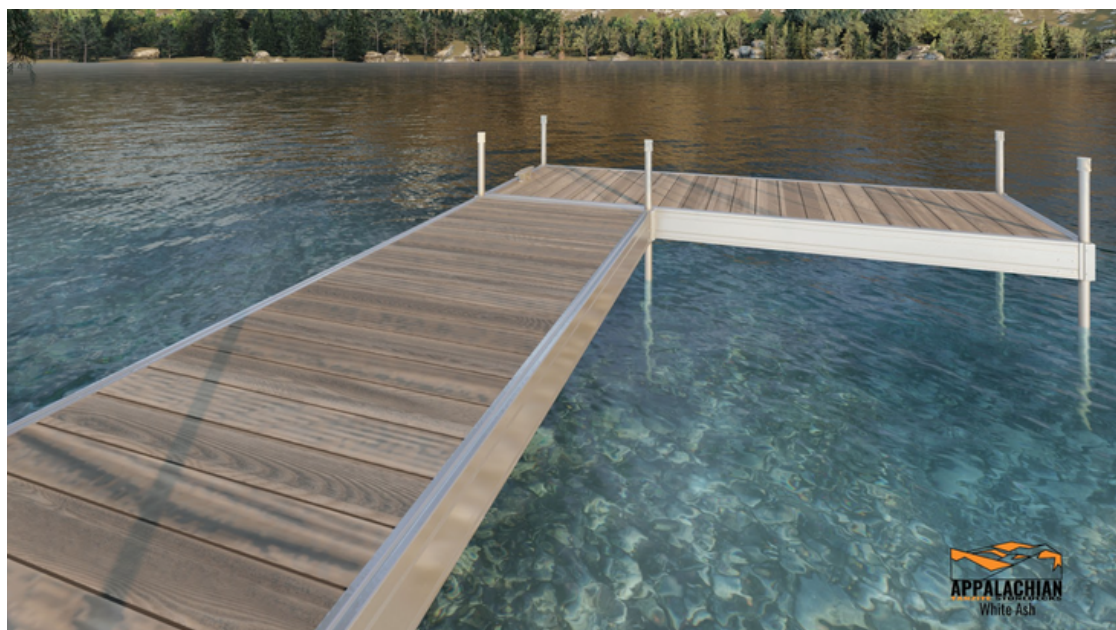
STONEDECKS

Tanzite is an excellent choice for docks, floating platforms and the like:

- It is robust and highly resistant to damage, and therefore suitable for use in public areas with high footfall.
- It is scratch-resistant so it will retain its appearance as designed.
- It is non-slip, and yet smooth so it allows water to run easily over and through it to avoid nuisance pooling or freezing risks.
- It is easily cleaned with power washers and commercial equipment, avoiding the use of chemicals or acid.
- It is impervious to water, and will not be affected by salt water.
- We supply marine-grade stainless steel fasteners.



Tanzite is ideal for use around swimming pools and jacuzzis.



Follow standard Tanzite guidance for optimum board layout and installation. Joists should be at 12" (305mm) or 16" (406mm) centers, with fixings in to every joist, and board ends must always meet on a joist.



At Tanzite, we are committed to preserving and protecting our beautiful world for future generations. We believe that by working together, we can make a significant impact on the environment. As part of this commitment, we continuously monitor opportunities to improve our manufacturing processes, logistics operations, and administrative procedures.

As investors in both people and the planet, we prioritize sustainable practices throughout our entire business. Our goal is not only to create exceptional products but also to minimize our ecological footprint. Tanzite is proud to offer a range of products that are naturally durable and reusable. By utilizing sustainable materials and implementing efficient production methods, we ensure that every Tanzite product is designed with longevity in mind. This approach not only reduces waste but also encourages the reuse of materials wherever possible.

We firmly believe that it is our responsibility to contribute positively to the world around us. Through ongoing innovation and a steadfast commitment to sustainability, Tanzite strives to set an example for other companies within our industry.

## PRODUCT

- Non-destructive installation easy to reuse.
- Does not contain plastic or PFAs or other chemicals.
- Made using sustainable materials.
- Durable long life.
- High-quality low replacement.
- Easy to replace breakages.
- No chemicals required for maintenance.
- Designed to reduce construction waste.

## LOGISTICS

- Our factory is close to the raw materials to reduce transport-associated emissions.
- We reduce packaging to a minimum.
- Our packaging is made of recycled material.
- Our logistics providers our selected using sustainability criteria.
- We promote low-carbon shipping options.

## MANUFACTURING

- Material suppliers selected using sustainability criteria.
- Manufacturing process optimized to reduce energy and material use.
- Site operational policy for energy saving and carbon reduction in buildings.
- Tanzite does NOT contribute to deforestation.

## SUSTAINABLE BUSINESS

- An industry leader with a sustainability mindset.
- Sustainability in all aspects of our business.
- Investors in people and planet.
- Responsible purchasing.

## Appalachian Testing Data, and Load Specifications

### Properties

<b>Property</b>	<b>Requirement</b>	<b>Results</b>
Weight		4.76 lbs / linear foot
Density		144 lb / cubic foot
Temperature/Moisture Effect	ICC-ES AC174	Meets Code
Creep Relaxation	ICC-ES AC174	Meets Code
UV Resistance	ICC-ES AC174	Meets Code
Resistance to surface abrasion	ASTM C1027	Class 4
Scratch Resistance	ASTM C1895	Class 7
Breaking Strength	ASTM C648	2555 lbf
Water Absorption	ASTM C370	< 0.1%
Chemical resistance	ASTM C650	Class A
COF of Linear Thermal Expansion	ASTM C372	5,5 x 10 <sup>-6</sup> oC-1
Resistance to stains	ASTM C1378	Class A
Dynamic coefficient of friction	ANSI 326.3	0.7 (R11)
	ASTM C373	< 0.2%
Freeze-Thaw Resistance	ASTM C1026	No Damage
Reaction to fire	UNE-EN 13501-1	A1 (No reaction)

## Tolerances

Property	Requirement	Results
Width	ASTM C499	± 0.04" (1 mm)
Length	ASTM C499	± 0.04" (1 mm)
Thickness	ASTM C499	± 0.04" (1 mm)
Straightness of sides	ASTM C502	± 0.08" (2 mm)
Rectangularity	ASTM C502	± 0.06" (1.5 mm)
Lateral curvature	ASTM C485	± 0.06" (1.5 mm)
Warpage	ASTM C485	± 0.08" (2 mm)

## Solar Reflective Index (SRI) - ASTM E1980-11

Color	Solar Reflectance	Solar Absorptance
Silver Maple	0.48	0.52
American Walnut	0.32	0.68













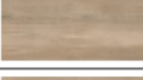

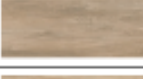





## Live Load Limits

	Load	Span
Maximum Capacity	400 lbf	12" O.C.
Maximum Capacity	300 lbf	16" O.C.
Maximum Capacity	100 lbf	24" O.C.

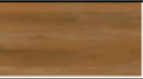

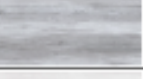


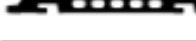

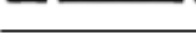


## Use on stairs

Concentrated load	300 lbf	12" O.C.
Concentrated load	300 lbf	16" O.C.

## Grooved Boards and Edge Boards

<u>Color</u>	<u>Profile</u>	<u>Dimensions (mm)</u>	<u>Weight (lbs)</u>
 American Walnut	 Edge	6" x 48" x 1" (144mm x 1219mm x 26mm)	18
 American Walnut	 Grooved	6" x 48" x 1" (144mm x 1219mm x 26mm)	18
 Driftwood	 Edge	6" x 48" x 1" (144mm x 1219mm x 26mm)	18
 Driftwood	 Grooved	6" x 48" x 1" (144mm x 1219mm x 26mm)	18
 Silver Maple	 Edge	6" x 48" x 1" (144mm x 1219mm x 26mm)	18
 Silver Maple	 Grooved	6" x 48" x 1" (144mm x 1219mm x 26mm)	18
 Aged Teak	 Edge	6" x 48" x 1" (144mm x 1219mm x 26mm)	18
 Aged Teak	 Grooved	6" x 48" x 1" (144mm x 1219mm x 26mm)	18
 White Ash	 Edge	6" x 48" x 1" (144mm x 1219mm x 26mm)	18
 White Ash	 Grooved	6" x 48" x 1" (144mm x 1219mm x 26mm)	18

## Fascia Boards

 American Walnut	 Fascia	8" x 48" x 3/4" (205mm x 1219mm x 19mm)	18
 Driftwood	 Fascia	8" x 48" x 3/4" (205mm x 1219mm x 19mm)	18
 Silver Maple	 Fascia	8" x 48" x 3/4" (205mm x 1219mm x 19mm)	18
 Aged Teak	 Fascia	8" x 48" x 3/4" (205mm x 1219mm x 19mm)	18
 White Ash	 Fascia	8" x 48" x 3/4" (205mm x 1219mm x 19mm)	18

# On-site/ Handover Checklist

Checklist (page 1 of 2).

The purpose of this checklist is to support easy installation, reducing mishaps and increasing satisfaction for installer and customer. Its use is recommended, but it does not affect the warranty and it is not submitted to Tanzite.

- We recommend that the installer and homeowner fill in this document together, or that you use it as a site inspection tool.

Signature on completion with date (Installer):

Signature on completion with date (Homeowner):

NOTE: THIS CHECKLIST IS <u>NOT</u> EXHAUSTIVE It includes two sections: 1. Deck frame checks- BEFORE installing Tanzite. 2. Tanzite decking final checks.	Relevant page in manual	Check off during installation	Final check before handover
<b>1. Deck frame checks- BEFORE installing Tanzite:</b>			
Bridging is installed between joists at least every 5ft (1.5m), to reduce joists twisting and to make the deck frame stronger.	p.11		
Extra bridging is installed between joists, wherever a railing post will be fixed and in the neighbouring joist space also, and where stairs connect to the deck.	p.15		
The tops of the joists are level to each other.	p.15		
All timbers are of sufficient size for the spans.	p.8		
The wood does not appear rotten or weak.			
Cushioning joist tape is installed.	p.15		

# On-site/ Handover Checklist

Checklist continued (page 2 of 2).

NOTE: THIS CHECKLIST IS <b>NOT</b> EXHAUSTIVE	Page in manual	Check off during installation	Final check before handover
<b>2. Tanzite decking checks:</b>			
Every board is fully supported: Ideally flat to the timber, though shims can be used to fill any gaps between joist and Tanzite board.	p.15 p.17		
The butt ends of the boards all have a gap before the next board. These butt-end spaces all appear to be similar to the human eye.	p.24		
Any spare boards, decent-sized offcuts, clips or other parts have been stored together on-site, and the owner is aware of their whereabouts, in case they need to use them in future.	p.25		
Every board is held in place by clips at every corner and at every joist they pass.	p.24		
Every board starts and ends on a joist.	p.23		
Steps feel solid and don't feel at all springy.	p.16		
Railing posts feel solid and don't flex when leaned against.	p.26		
Any warpage in the boards has been evened out to minimize visual impact.	p.24		
Any chipped edges or other visually compromised boards have been installed in inconspicuous places where they will have less visual impact.	p.24 p.31		

## **EXCLUSIONS FROM WARRANTY COVERAGE AND LIMITING OF LIABILITY:**

### **Product installation:**

The Product must be installed in accordance with industry standards and the Manufacturer's written specifications for installations including but not limited to industry standards, such as, but not limited to waterproofing, crack isolation, substrate requirements, movement, and expansion joints. This also includes requirements such as checking before installation that the Product has no defects, the Product is fit for purpose, checking for sufficient quantities of the Product of the same batch are supplied, the proper blending of the variation of colors of the Product supplied, and compliance with the Manufacturer's written specifications and industry standards for installation, maintenance, and repair. If a defect is identified in the Product before installation, the Product shall not be installed, as installation of the Product with a defect identifiable before installation or visual defects or nonconformities apparent prior to installation voids this warranty. Once the Product has been installed, the Manufacturer is not liable for color matching or blending or for the replacement of tiles with obvious visual faults. Water, ice, oil, grease, and other substances create slippery conditions, and the Manufacturer is not responsible for and makes no express or implied warranty respecting the suitability or fitness for any purposes including but not limited to floor applications in or with slippery conditions. Damage during or after installation and installation defects are not covered by this warranty, and this warranty does not apply when deterioration results from the Product not being suitable for the intended use, a design or installation not complying with applicable codes, standards and recognized work procedures, or if the installation the Manufacturer's written specifications have not been followed. Damage or cracking due to structural movement, collapse or settling of the ground or supporting structure, excessive deflection or other failure in the substrate, normal wear and tear, damage or defects caused by incorrect installation, lack of proper maintenance, accidents, abuse or misuse are excluded from coverage under this warranty. Defective installation such as, but not limited to, any substrate repair material or any accessory products such as third part fasteners; weak concrete and masonry substrates, substrate or sub-floor irregularities; substrate or subfloor deterioration; natural color variations; freight, material and labor costs.

### **Lippage:**

Lippage refers to differences in elevation between edges of adjacent boards. The perception of height variances is influenced by a number of factors, including allowable warpage of boards, warpage of the deck structure, the angle of light creating shadows and highly reflective surfaces accentuating otherwise acceptable variance in modules. After installation when lippage is present it should be corrected by the installer. To eliminate or address lippage, the proper preparation of the base and installation of the Product is required by skilled professionals. Lippage is an installation defect and not covered by this warranty.

## **EXCLUSIONS FROM WARRANTY COVERAGE AND LIMITING OF LIABILITY:**

### **Variations:**

Variation in veining, fissures, pits, texture, color and shade are inherent characteristics of all stone, and will vary from board to board as well as from lot to lot. The Manufacturer does not warrant the Product for shade, size, thickness, warping, cleft variations, surface finish variations, or other natural variances on the Product. An inherent characteristic of the Product, is that boards will bow, wedge and warp to a certain degree and may slightly vary in size from batch to batch. These variations in size and color are due to changes in moisture and thermal loads which can alter the boards during production. Batches of board are identified and separated into lots by specific shade and caliber. Product samples are representative only and may not be an exact match to supplied materials due to variations in manufacturing and the natural raw materials making the Product. Photographic color images may not be an exact product match to the supplied Product as the supplied Product may have slight differences in color, shade, and/or surface appearance. The Manufacturer's website, marketing literature and promotional materials may not represent the true nature of the Product.

### **Maintenance and cleaning:**

The Product must be properly maintained and cleaned in accordance with the Manufacturer's Tanzite Owner's Manual, and Manufacturer's written specifications and industry standards. The Product contains abrasives creating a rough surface, and cleaning challenges because dirt and other contaminants lodge in the surface. Extra attention is necessary to assure contaminants are removed promptly. For clarity the Product should not be in contact with any toxic substances, acids, bases, or other substances that will damage its surfaces.

### **Normal wear and tear:**

This warranty does not cover normal wear and tear and any other problems that are caused by conditions, malfunctions, or damage not resulting from defects at the time of purchase, in the manufacturing of the Products, in accordance with ANSI A137-1-2017 standards.

### **Impacts and abrasions:**

The warranty does not apply to normal wear and tear, spalling or other breakage or damage that may be caused by impact, abrasion or inappropriate or inadequate live loads. Never allow hard, sharp-edged, or heavy, objects to fall or otherwise causing an inappropriate load on the Product as any resulting such damage, chipping, or cracking, of the Product is not covered by this warranty.



## **EXCLUSIONS FROM WARRANTY COVERAGE AND LIMITING OF LIABILITY:**

### **Misuse of the Product:**

The misuse including but not limited to accidents, negligence, physical or chemical abuse or other damage to the Products that may result from deliberate act or negligence on the part of the customer, buyer, owner of the property where the Product is installed, installer or any third party is not covered by this warranty. The improper handling, storage, abuse or neglect of Product on the part of the customer, buyer, owner of the property where the Product is installed, installer or any third party is not covered by this warranty.

### **Acts of God, Ordinary Wear and Tear, Intentional or Negligent Acts:**

This warranty does not apply to any damage resulting from or related to an act of God [including but not limited to flooding, tornado, strong winds, storms, fire, lightning, earthquake etc.]; environmental conditions and atmospheric conditions [air borne pollutants and contaminants]; staining from foreign substances [acids, bases]; normal weathering including but not limited to exposure to sunlight, wind, rain, weather, environmental conditions and atmospheric conditions; fire; vandalism; ordinary wear and tear; improper handling, storage, abuse or neglect of the Product or other damage to the Products that may result from deliberate act or negligence on the part of the customer, buyer, owner of the property where the Product is installed, installer or any third party.

### **Applicable Building Codes:**

Applicable building codes and laws may dictate minimum the Product performance specifications, and the Manufacturer does not warrant the Product where the use, or installation, of the Product violates applicable building codes and laws.

### **Limiting of Liability:**

At the time of manufacturing, the Product achieves the necessary values for the ANSI A137.1-2017 standards. Tests are performed on random samples of the Product by an independent testing laboratory and are believed to be representative of the general quality of the Product. To the fullest extent permitted under the law, under no circumstances will the Manufacturer be liable for incidental or consequential damages, whether such damages are sought in contract, in tort (including but not limited to negligence and strict liability) or otherwise, and the Product liability for non-personal injury claims with respect to products shall in no event exceed the replacement of such defective products or refund as set forth herein. Some States or Provinces do not allow the exclusion or limitation of incidental or consequential damages, so the above limitation or exclusion may not apply to you. This warranty gives you specific legal rights, and you may also have other rights that vary from State to State or Province to Province.

## MAKING A WARRANTY CLAIM AND LIMITS ON LIABILITY:

To make a claim under this limited warranty, you must notify the Manufacturer in writing within fifteen (15) days of the discovery of the alleged manufacturing defect to the following address: **warranty@tanzite.com**

As a condition of this warranty, the following must be provided to the Manufacturer with written notice of a claim, failing which this warranty is voided and the Manufacturer released from any and all liability for the defect or the claim:

1. Provide satisfactory evidence of defects in the Product purchased, including but not limited to a description and photographs of the affected area of the Product.
2. Proof of purchase or assignment from the original end-user purchaser.
3. Proof of identity showing current address.

As a condition of this warranty proof of use, installation and maintenance, and care pursuant to the Manufacturer's Tanzite Owner's Manual, and Manufacturer's written specifications and industry standards must be provided to the Manufacturer upon its request, failing which this warranty is voided and the Manufacturer released from any and all liability for the defect or the claim. If a claim relating to a manufacturing defect and the improper staining of the Product, in addition to the foregoing, the following must be complied with prior to providing written notice of a claim to the Manufacturer, failing which this warranty is voided and the Manufacturer released from any and all liability for the defect or the claim:

- i. The affected area of the Product must be cleaned in accordance with the Manufacturer's written specifications.
- ii If the affected area remains reasonably unsatisfactory after the affected area of the Product has been cleaned as set forth above, then the affected area of the Product must be professionally cleaned at the sole expense of the party making the claim or contemplating a claim.
- iii. If the affected area remains reasonably unsatisfactory after the professional cleaning, a claim may be made under this warranty, within fifteen (15) days of the professional cleaning.

If a valid warranty is made, it is at the Manufacturer's complete discretion which of the following will be provided:

1. Replacement of a portion of defective Product with same or equivalent product [with the cost for freight, labor, materials and costs for installation, maintenance or replacement not being covered by this warranty] as calculated below.
2. Repair or re-polish of the defective Product.  
Refund a prorated portion of the original purchase price paid for such defective Product [but not including the cost for freight, labor, materials and costs for installation, maintenance or replacement of the Product] as calculated below.
4. Combination of the above provided that the Manufacturer's obligations are limited only to Product or parts of the Product that are proven to be defective pursuant to the terms of this warranty and the Manufacturer.

If a valid warranty claim hereunder is made, the percentage of such valid claim which the Manufacturer is required in its complete discretion to refund or replace pursuant to this warranty, shall commence the eleventh (11) year after the original date of purchase of the Product, and be reduced by five (5%) percent each year thereafter, reducing 5% each and every year until ten [10%] percent of the valid claim remains, at which time there shall be no further reduction to the percentage of the valid claims which the Manufacturer is required in its complete discretion to refund or replace pursuant to this warranty. For clarity, in no event shall the Manufacturer be required to refund any more than the prorated portion of the original purchase price or replace more than the prorated portion of the defective Product as calculated herein. In the event that the sole and exclusive remedy described above fails of its essential purpose, the liability of the Manufacturer is limited to the monetary value, on a square-foot (square-meter) basis, of the original purchase price of the Product or portion of the Product required to be replaced pursuant to the terms of this warranty. To the fullest extent permitted under the law, this warranty shall not cover and the Manufacturer shall not be responsible for costs and expenses, including but not limited to labor, costs, and freight, incurred with respect to the installation, maintenance, or removal of the Product or affected Product or the installation of replacement materials. The Manufacturer will not pay for the replacement of any portion of the installation that is not proven to be defective.

To the fullest extent permitted under the law, the costs and expenses incurred with respect to the removal and installation of the defective Product or the installation of replacement materials, including but not limited to freight, labor, and materials costs are excluded from this warranty. Should the Product used in the original installation no longer be readily available, the Manufacturer reserves the right to determine a suitable substitute but will only provide a replacement product for the defective Product and not the entire installation.

The Manufacturer reserves the right to inspect any and all defects prior to any repair, remediation or settlement of such defect. In the event that the Manufacturer within its sole discretion elects to or is otherwise required to participate in the repair, remediation or settlement of any defect, the Manufacturer must be included in all discussions and decisions related to such repair, remediation and/or settlement. In the event that the Manufacturer is not provided notice on a timely basis, or the Manufacturer is not allowed the right of inspection, discussion or decision-making in advance of repair, remediation or settlement of any defect, this warranty is voided and the Manufacturer released from any and all liability for the defect or the claim.

## **General Terms:**

No amendment or variation of the terms, conditions warranties, covenants, agreements and undertakings set forth herein shall be of any force or effect unless the Manufacturer same shall be reduced to writing duly executed by the Manufacturer and the party purchasing the Product from the Manufacturer. Any provision in this warranty which is prohibited or unenforceable in any jurisdiction shall, as to such jurisdiction, be ineffective to the extent of such prohibition or unenforceability without invalidating the remaining provisions hereof or affecting the validity or enforceability of such provision in any other jurisdiction. The division of this warranty into Articles, Sections, Subsections, Schedules and other subdivisions, the inclusion of headings and the provision of a table of contents are for convenience of reference only and shall not affect the construction or interpretation of this warranty. The headings in the warranty are not intended to be full or precise descriptions of the text to which they refer.

**We offer a complete returns service. See our returns policy in full on the website at [www.tanzite.com/return-policy](http://www.tanzite.com/return-policy)**

In summary:

- You can return any\* Tanzite product, for any reason whatsoever, within 90 days of placing your order.
- Any returns need to be in their original bundle/bag/carton and in good sellable condition.
- All returned products are subject to a 15% restocking fee.
- All shipping costs are the responsibility of the customer. They can not be refunded.

\*Please note that EPDM membrane is not refundable as it is specifically cut for your project.

## Damaged Product

Every Tanzite Stonedecks order has shipping insurance. To take advantage of this:

1. Take a photo of your shipment when it arrives.
2. Inspect it and take additional photos of any damage you find.
3. Notify us within 48 hours.

Tanzite is an extremely hard decking product, and frankly, it's hard to damage once installed. We manage our packaging and logistics very carefully, however there is still a small risk that it arrives with a chip or minor damage on the edge. These boards can still be used as cut pieces or in hidden areas so there is minimal waste. If you are unable to make use of the damaged piece, let us know and we'll refund you for the cost of the damaged piece.

## Extra Product

Please ensure that you are ordering enough extra product to account for wastage (allow 5-10% wastage depending on the design), late changes in the design/layout, or any slight mismeasurements. Tanzite pieces aren't light or small, so shipping even just a few extra boards typically costs more than the boards themselves, and the timescale for delivery is the same regardless of the quantity. If you need additional pieces, they can be ordered at [Tanzite.com/shop-tanzite](http://Tanzite.com/shop-tanzite). Note that Tanzite does not cover the shipping costs if you need extra pieces.

## DISCLAIMER:

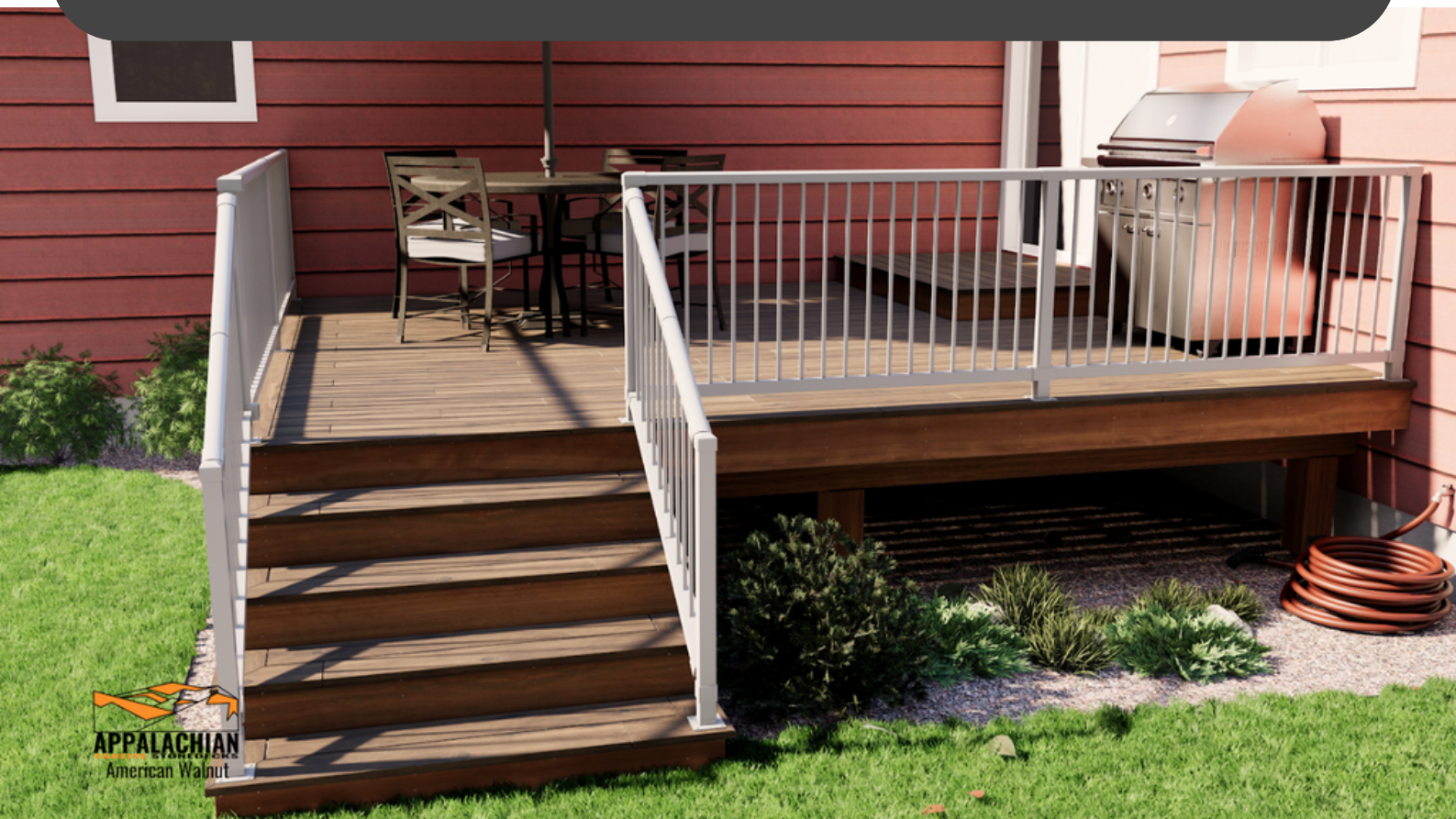
This installation manual is provided for informational purposes only. The information contained herein is intended to provide general guidelines to simplify your project. Tools, products, materials, techniques, building codes, and other regulations continually change, so Tanzite assumes no responsibility for the accuracy of the information contained herein and disclaims any liability for omissions, errors, or the outcome of any project.

Diagrams are approximations, not drawn to scale.

It is the responsibility of the installer or user to ensure compliance with all applicable laws, rules, codes and regulations, all manufacturers specifications, and Tanzite installation recommendations, in relation to their project.

The installer or user must take appropriate safety precautions to minimize the risk of harm to themselves or anybody else.

It is the responsibility of the homeowner to properly maintain and insure their project. If there is any doubt regarding any element of a project, you should consult a licensed professional.



# Tanzite

## STONEDECKS