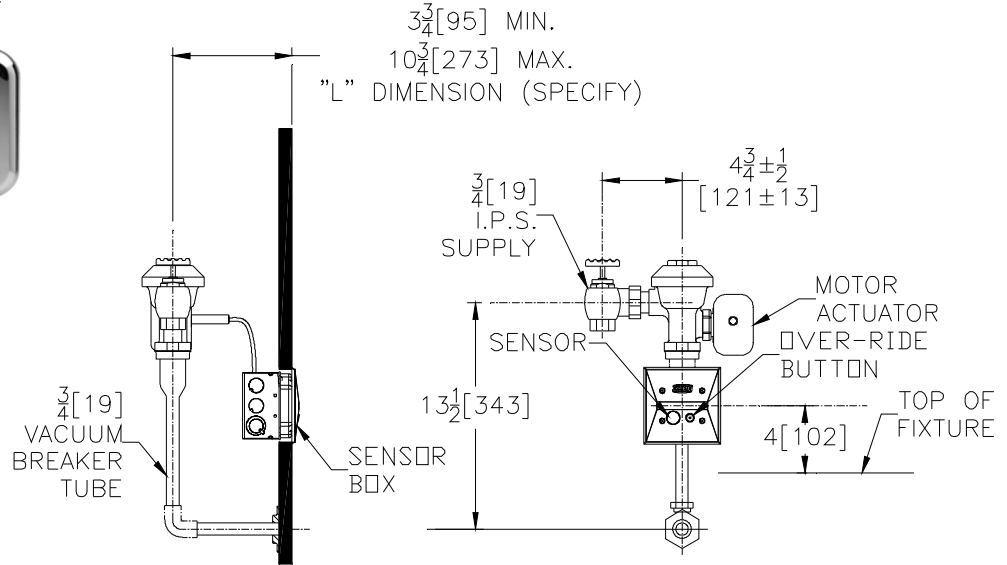
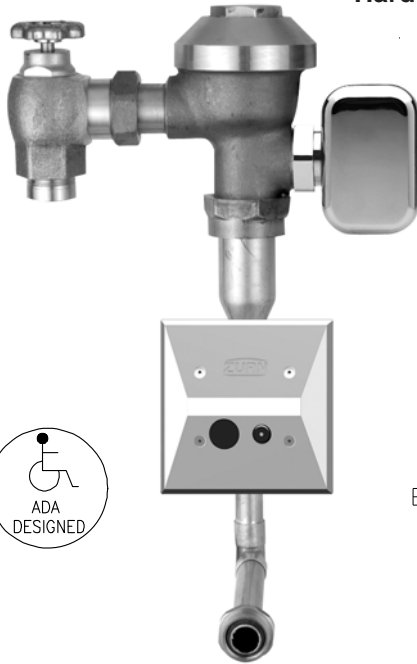


# ZEMS6195AV

Hardwired Automatic Sensor Valve for 3/4" Urinals



## Flow Options

- EWS 0.5 gpf Low Consumption Flush
- WS1 1.0 gpf Low Consumption Flush
- 1.5 gpf

## Accessories

- \_\_\_\_\_ Other

## Power Supply Choices (Sold Separately)

- ACA-BA 6VDC Plug-in Power Converter (Up to 6 valves)
- HW6 Hardwired Power Converter (Up to 8 Valves)
- MJ Mini Junction Box

Architectural/Engineering Approval

The information contained in this document is subject to change without notice.  
Please contact Zurn for most up to date information.

**NOTE: MUST USE EITHER ZURN P6000-HW6 HARDWIRE POWER CONVERTER OR ZURN P6900-ACA-BA PLUG-IN POWER CONVERTER TO ENSURE PROPER OPERATION. USING A POWER CONVERTER OTHER THAN ZURN MAY RESULT IN OPERATION MALFUNCTION OR UNIT FAILURE.**

ZURN INDUSTRIES, LLC. ♦ COMMERCIAL BRASS OPERATION  
5900 ELWIN BUCHANAN DRIVE ♦ SANFORD NC 27330  
Phone: 1-800-997-3876 ♦ Fax: 919-775-3541  
www.zurn.com  
In Canada: ZURN INDUSTRIES LIMITED  
3544 Nashua Drive ♦ Mississauga, Ontario L4V1L2  
Phone: 905-405-8272 Fax: 905-405-1292

## ENGINEERING SPECIFICATIONS

Concealed, quiet diaphragm-type, rough brass flushometer valve.

- Zurn's AquaVantage® TPE diaphragm
  - Clog Resistant Triple filtered by-pass
  - Chloramine resistant
  - Dual seal
- Proprietary DR resistant low lead brass alloy
- Actuator
  - ZEMS 6 VDC Motorized Actuator
- Automatic Sensor
  - Fully configurable sensor range adjustment
  - Manual push button override
  - 48 or 168 hour trap seal flush
  - Capacitive sensing push button override
- Control Stop
  - Internal siphon-guard protection
  - Sweat solder kit
- Vacuum Breaker
  - High back pressure
  - One piece hex coupling nut
- Internal seals
  - Chloramine resistant
- Adjustable tailpiece
- Spud coupling and flange for back spud connection