



FD-1002M_J(Z)-C

Modular Ice Machine
Slim-Line Dispenser Series



FD-1002M_J(Z)-C
08/03/23
Item # 13242

W x D x H
22" x 24" x 26"


Shipping Dimensions
28¹/₂" x 26³/₄" x 32"


FD-1002MAJ-C
Air-Cooled Cubelet
Shown on Lancer
IBD Bold 30i

FD-1002MRJZ-C
Remote Air-Cooled Cubelet



Features

- ▶ Durable stainless steel exterior
- ▶ Advanced CleanCycle24™ design 
- ▶ Stainless steel auger with greaseless bearing

- Up to 890 lbs. of ice production per 24 hours
- 2 second flush cycle every hour
- Flush cycle removes sediment for cleaner ice
- Infrared bin control for easy cleaning and reliability
- Protected by H-GUARD Plus  Antimicrobial Agent
- Ice on beverage design
- Popular cubelet ice
- R-404A Refrigerant

Available on Bins:

B-250SF B-500SF B-700SF B-800SF B-900SF

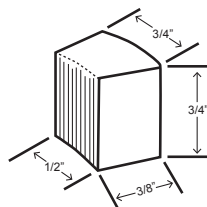
Top kit may be required; See Bin Spec Sheets.

Warranty:

3 Year Parts & Labor on entire machine. 5 Year Parts on Compressor; air-cooled condenser coil. Valid in United States, Canada, Puerto Rico and U.S. Territories. Contact factory for warranty in other countries.

Condenser	Model	ICE PRODUCTION		WATER USAGE		ELECTRICAL					Refrigerant Charge Amount	Net / Ship Weight (lbs.)	
		Air / Water Temp Lbs. per 24 hours 70°/ 50°F 90°/ 70°F	Potable Gal. per 100 lbs. 90°/ 70°F	Condenser Gal. per 100 lbs. 90°/ 70°F	kWh Used per 100 lbs. 90°/ 70°F	Min. Circuit/Max. Fuse Size	Amperage	Voltage	Circuit Wires (including ground)	Heat Rejection BTU/hr.			
Air	FD-1002MAJ-C	890	726	12.0	N/A	4.57	20A	15.2A	115V/60/1	3	8,700	2 lbs. 4 oz.	176 / 210
Remote	FD-1002MRJZ-C	821	680	12.0	N/A	4.94	20A	13.7A	115V/60/1	3	8,500	2 lb. 3.3 oz. <small>4 lbs. 1 oz. † (with condenser)</small>	176 / 210

Cube Dimensions*



* approximate size in inches, image not to scale

Operating Limits

- Ambient Temp Range 45 - 100°F
- Water Temp Range 45 - 90°F
- Water Pressure 10 - 113 PSIG
- Voltage Range 104-127V
- If GFCI is required, a GFCI breaker MUST be used in lieu of GFCI receptacle

Service

- Panels easily removed and all components accessible for service.
- Allow 24" (61 cm) clearance at top for removal of auger and 6" (15 cm) clearance at rear and sides for proper air circulation and ease of maintenance/service.

Plumbing

- Icemaker Water Supply Line: Minimum 1/4" Nominal ID Copper Water Tubing or Equivalent
- Icemaker Drain Line: Minimum 3/4" Nominal ID Hard Pipe or Equivalent

Water Filter

Please refer to water filter specification sheet for recommendations.

Hoshizaki reserves the right to change specifications without notice.

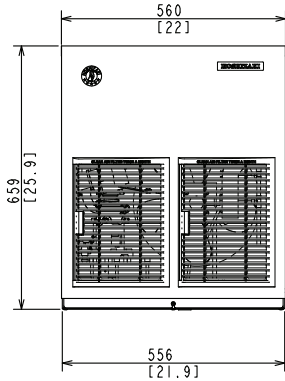


FD-1002M_J(Z)-C

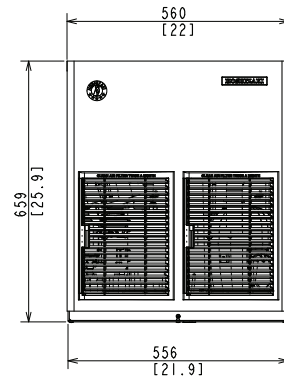
Modular Ice Machine
Slim-Line Dispenser Series

FD-1002M_J(Z)-C
08/03/23
Item # 13242

FRONT VIEW



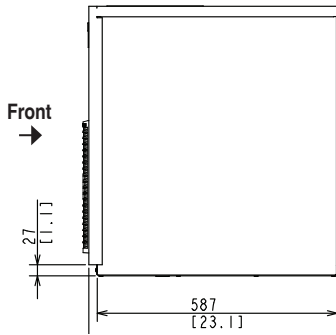
AIR-COOLED



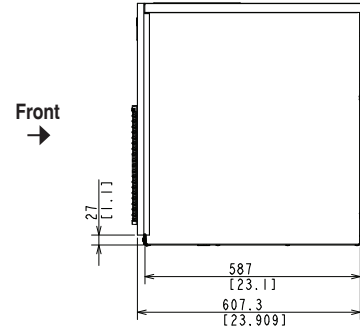
REMOTE AIR-COOLED

mm
[inch]

SIDE VIEW

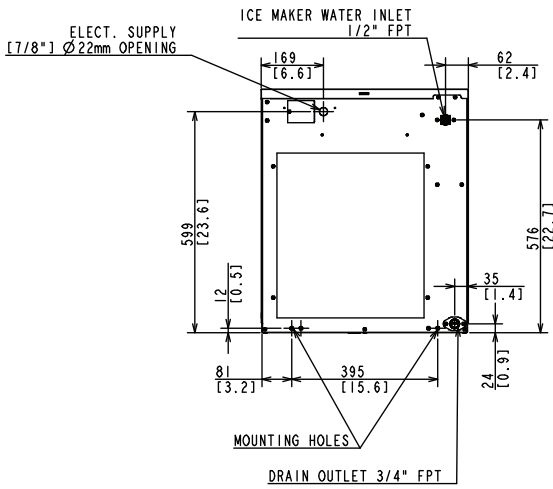


AIR-COOLED

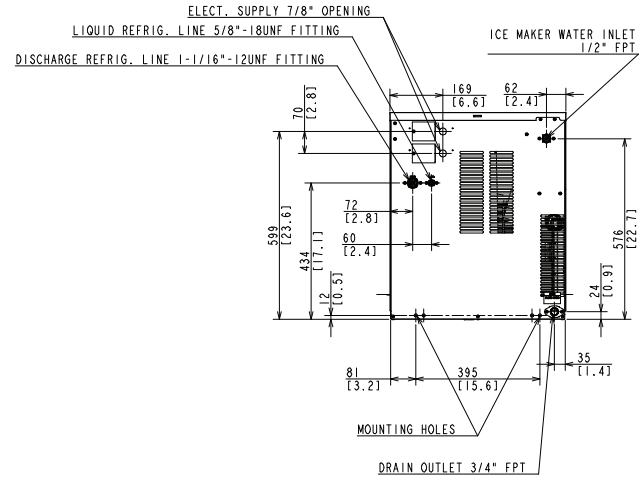


REMOTE AIR-COOLED

REAR VIEW

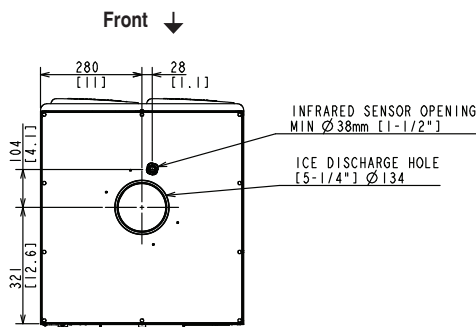


AIR-COOLED



REMOTE AIR-COOLED

BOTTOM VIEW



AIR-COOLED
REMOTE AIR-COOLED

URC-5FZ Remote Condenser (Sold Separately)
(W x D x H) 21^{13/16} x 14^{1/16} x 32^{13/16}
For Use with FD-1002MRJZ-C

Brazed Line Sets
(Sold Separately)
25' HS-5587
35' HS-5588

Voltage supply for ice maker and condensing unit are separate.

