



# F-2001MLJ

Modular Flaker Ice Machine  
Low-Side Series



F-2001MLJ  
08/03/23  
Item # 13155

**W x D x H**  
30" x 27<sup>1</sup>/<sub>2</sub>" x 34<sup>7</sup>/<sub>16</sub>"\*


Shipping Dimensions  
34<sup>3</sup>/<sub>4</sub>" x 32" x 40"


**F-2001MLJ\***  
Rack System Flaker  
Shown on optional bin B-900



Item #: \_\_\_\_\_  
Project: \_\_\_\_\_  
Qty: \_\_\_\_\_  
AIA#: \_\_\_\_\_

## Features

- ▶ Durable stainless steel exterior
- ▶ Advanced CleanCycle24™ design 
- ▶ Stainless steel auger with greaseless bearing

- Up to 2280 lbs. of ice production per 24 hours
- Mount two units, side-by-side, in only 60" of floor space for double the amount of ice production
- 2 second flush cycle every hour
- Flush cycle removes sediment for cleaner ice
- Protected by H-GUARD Plus Antimicrobial Agent 
- Nitrogen holding charge
- Can be used with refrigerant R-404A, R-407A, and R-407F

### Available on Bins:

B-250SF B-700SF B-900SF B-1300SS B-1650SS\*  
B-500SF B-800SF B-1150SS B-1500SS\*

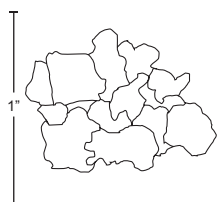
Top kit may be required. See Bin Spec Sheets. \*Two unit application only.

### Warranty:

3 Year Parts & Labor on entire machine. Valid in United States, Canada, Puerto Rico and U.S. Territories. Contact factory for warranty in other countries.

Condenser	Model	ICE PRODUCTION		WATER USAGE			ELECTRICAL					Heat Rejection BTU/hr.	Net / Ship Weight (lbs.)
		Air / Water Temp Lbs. per 24 hours 70°/ 50°F	90°/ 70°F	Type of Ice (Hardness Rating)	Potable Gal. per 100 lbs. 90°/ 70°F	Condenser Gal. per 100 lbs. 90°/ 70°F	kWh Used per 100 lbs. 90°/ 70°F	Min. Circuit/Max. Fuse Size	Amperage	Voltage	Circuit Wires (including ground)		
Air-Cooled	F-2001MLJ	2280	1733	Flaked (69.2)	12.0	N/A	0.6	15A	6.1A	115V/60/1	3	11,600	216 / 250

## Cube Dimensions\* Flaked



\* approximate size in inches, image not to scale

## Operating Limits

- Ambient Temp Range 45 - 100°F
- Water Temp Range 45 - 90°F
- Water Pressure 10 - 113 PSIG
- Voltage Range 104-127V
- If GFCI is required, a GFCI breaker MUST be used in lieu of GFCI receptacle

## Service

- Panels easily removed and all components accessible for service.
- Allow 6" (15 cm) clearance at rear and sides for proper air circulation and ease of maintenance/service. Allow 24" (61 cm) clearance at top to allow removal of auger.

## Plumbing

- Icemaker Water Supply Line: Minimum 1/4" Nominal ID Copper Water Tubing or Equivalent
- Icemaker Drain Line: Minimum 3/4" Nominal ID Hard Pipe or Equivalent

Hoshizaki reserves the right to change specifications without notice.



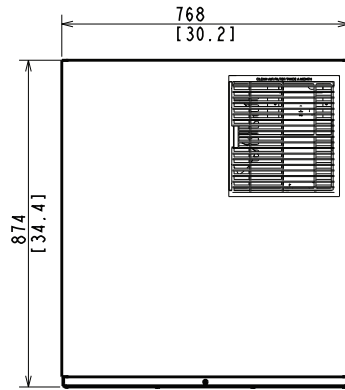
# F-2001MLJ

Modular Flaker Ice Machine  
Low-Side Series



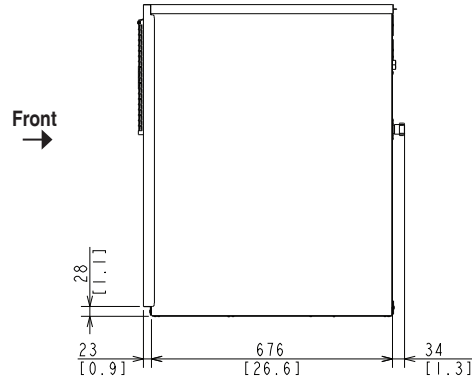
F-2001MLJ  
08/03/23  
Item # 13155

## FRONT VIEW

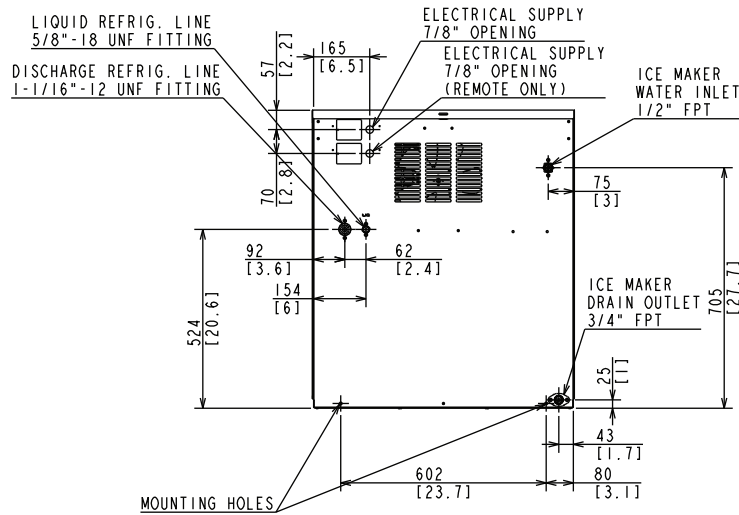


mm  
[inch]

## SIDE VIEW



## REAR VIEW



## BOTTOM VIEW

