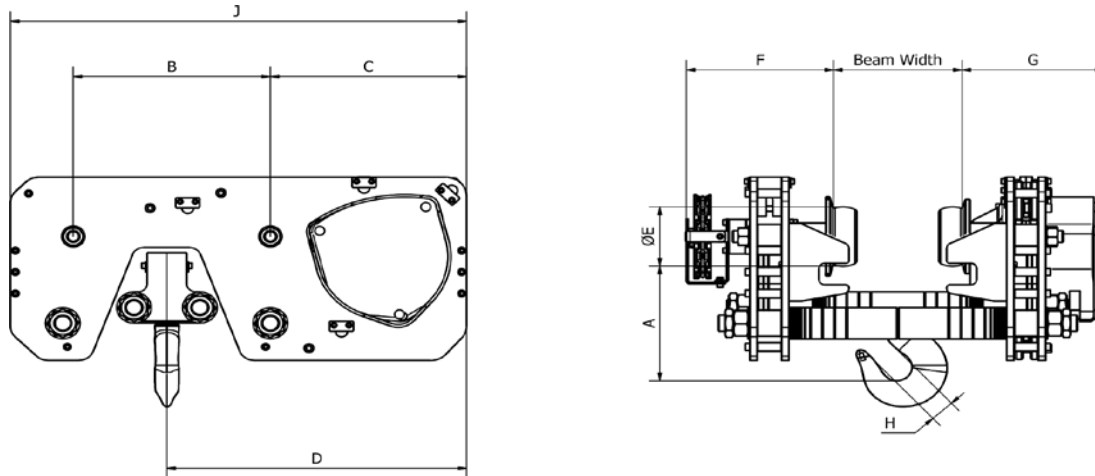




HGUL LOW PROFILE MANUAL TROLLEY HOIST

- Combination hoist and trolley offer ultra-low headroom
- 0.5t ~ 40 ton capacity
- Load chain & hand chain is corrosion resistant
- Adjustable to fit various beam widths
- Wheels of the unit fit both I-beams and H-beams
- With anti-drop plates
- Spark resistant units available upon request
- With overload protection safety device





Schematics are for reference only

SPECIFICATIONS & DIMENSIONS – HGUL LOW PROFILE MANUAL TROLLEY HOIST

Lifting Capacity (t)	0.5	1.0	2.0	3.0	5.0	10.0	15.0	20.0	30.0	40.0
Model	HGUL-0.5	HGUL-1	HGUL-2	HGUL-3	HGUL-5	HGUL-10	HGUL-15	HGUL-20	HGUL-30	HGUL-40
Falls of Chain	2	2	2	2	2	4	6	10	2x6	2x8
Chain Size	7x21				9x27					
Chain Weight per Foot	1.5				2.4	4.8	7.2	12	15	19.2
Weight with 10ft Lift (kg)	179	179	179	202	392	728	1042	1714	1680	2576
Beam Width Range	3.9-7.9	3.9-7.9	3.9-7.9	4.3-8.3	4.3-8.3	4.9-12.	5.9-13.8	5.9-12.2	5.9-13.8	5.9-13.8
A Min. Headroom (in)	6.69	6.69	6.69	6.77	8.27	10.47	10.83	13.86	15.75	16.54
Maximum Depth (in)	8.38	8.38	8.38	8.46	8.27	5.94	7.00	8.85	13.77	13.77
Max Beam Flange Thickness (in)	0.55	0.55	0.55	0.43	1.25	1.10	1.10	2.00	Upon Request	Upon Request
B	8.07	8.07	8.07	8.66	12.95	16.93	19.41	25.20	33.07	11.81/41.92
C	7.68	7.68	7.68	8.86	12.87	13.78	16.97	12.60	12.20	12.17
D	12.20	12.20	12.20	13.98	19.69	22.05	27.44	24.41	28.74	33.19
E	3.54	3.54	3.54	3.54	4.33	5.71	5.71	7.87	7.87	7.87
F	5.55	5.55	5.55	5.75	8.58	8.62	10.31	10.39	10.39	12.20
G	6.10	6.10	6.10	6.10	9.33	9.37	9.53	10.39	10.39	12.20
H	0.91	0.91	0.91	1.38	1.57	2.09	2.28	3.07	3.19	3.19
J	18.50	18.50	18.50	21.46	31.50	35.43	44.88	50.39	51.18	66.34
Maximum Height Above the Beam (in)	4.80	4.80	4.80	4.84	6.49	7.16	7.16	9.25	Upon Request	Upon Request

