
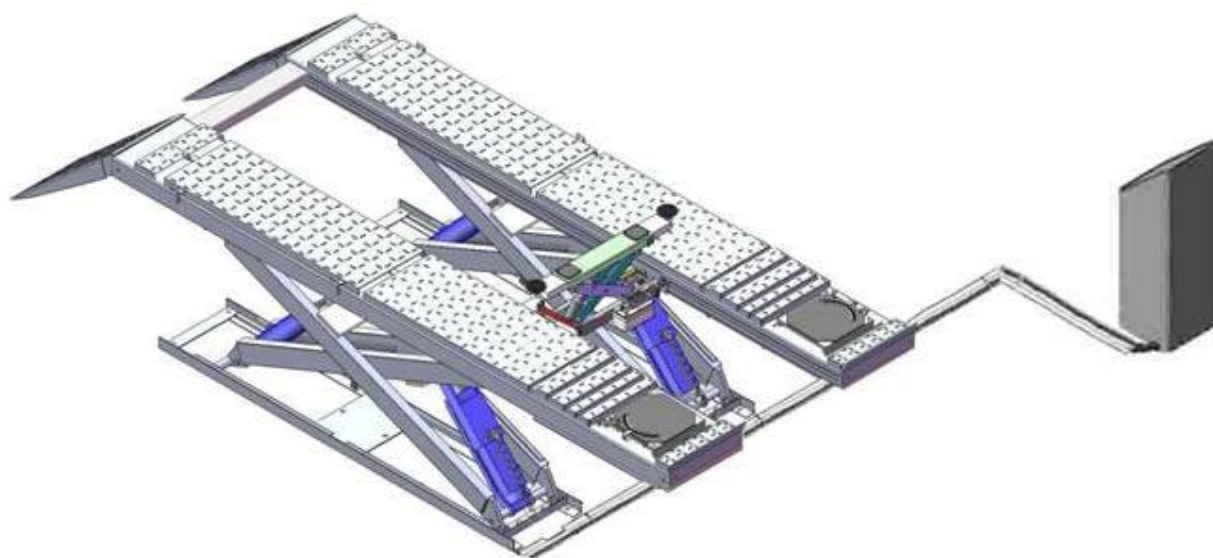


**AMGO**  <sup>®</sup> **Hydraulics**

Original

# Installation And Service Manual



**SCISSORS LIFT**  
**Model:AX-16A**

# CONTENTS

Product Features and Specifications .....	1
Installation Requirement .....	2
Steps of Installation .....	3
Exploded View .....	20
Test Run .....	29
Operation Instruction .....	30
Maintenance .....	31
Trouble Shooting .....	33
Lift Disposal.....	34

# I. PRODUCT FEATURUES AND SPECIFICATIONS

## Professional Alignment Scissors Lift

### Model AX-16A

- Electric- air control system, safety self-lock mechanism
- 2-Dual synchronous cylinders are applied to assure the lifting level on both platforms
- Non-skid diamond runway
- Integrated rear slip-plates
- Heavy duty design, fit for a wide range of vehicle car to van and light truck.
- Optional Jack (with hand pump/air-operated hydraulic pump)
- Optional Turnplate

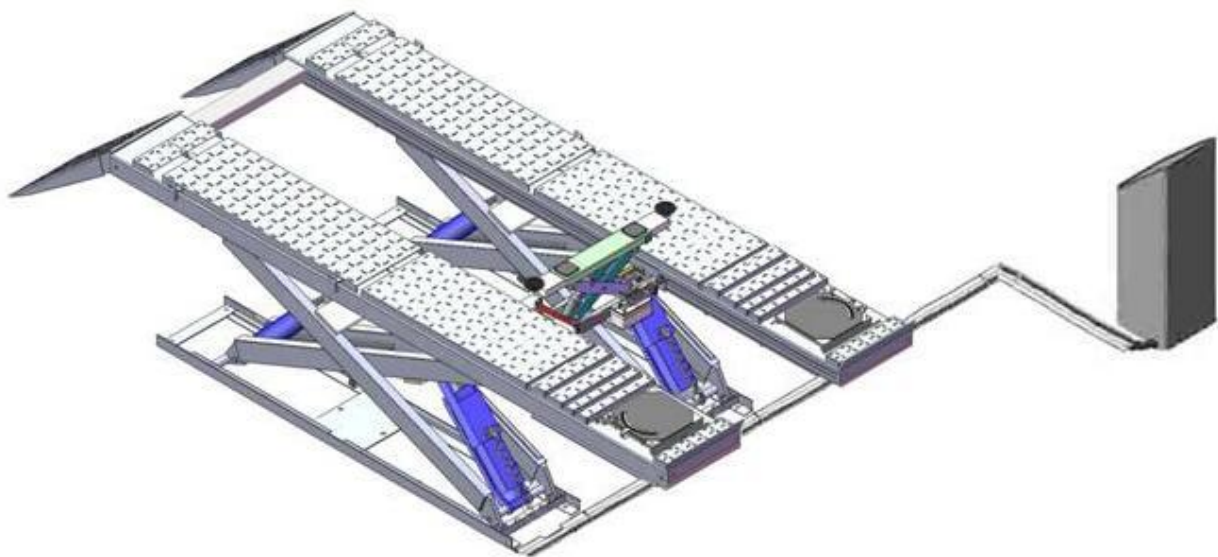


Fig. 1

### MODEL AX-16A SPECIFICATIONS

Model	Lifting Capacity	Lifting Height	Min. Height	Lifting Time	Overall Length (Inc.Ramps)	Overall Width	Runway Width	Distance Between Runway	Motor
AX-16A	16000 lbs	73-5/8"	13"	82S	274 1/8"	94-1/8"	24 5/8"	41-1/2"	2.0HP

## II. INSTALLATION REQUIREMENT

### A. TOOLS REQUIRED

- ✓ Rotary Hammer Drill ( $\Phi 19$ ,  $\Phi 10$ ,  $\Phi 4$ ,)



- ✓ Hammer



- ✓ Level Bar



- ✓ English Spanner (12")



- ✓ Ratchet Spanner With Socket (28#)



- ✓ Wrench Set (8#, 14#, 15#, 17#, 19#)



- ✓ Carpenter's Chalk



- ✓ Screw Sets



- ✓ Tape Measure (7.5m)



- ✓ Pliers



- ✓ Lock Wrench



- ✓ Grease gun



Fig. 2

## B. Equipment storage and installation requirements.

The equipment should be stored or installed in a shady, normal temperature, ventilated and dry place.

## C. SPECIFICATIONS OF CONCRETE

Specifications of concrete must be adhered to the specification as following.

Failure to do so may result in lift and/or vehicle falling.

1. Concrete must be thickness 4" mm minimum and without reinforcing steel bars, and must be dried completely before the installation.
2. Concrete must be in good condition and must be of test strength 3,000psi (210kg/cm<sup>2</sup>) minimum.
3. Floors must be level and no cracks.

## D. POWER SUPPLY

The electrical source must be 2.0HP minimum. The source cable size must be 2.5mm<sup>2</sup> and in good condition of contacting with floor.

## III. STEPS OF INSTALLATION

### A. Location of Installation

Check and insure the installation location (concrete, layout, space size etc.) is suitable for lift installation.

#### 1. For Standard Installation: On surface installation

##### 1.1 On surface installation foundation (See Fig. 3).

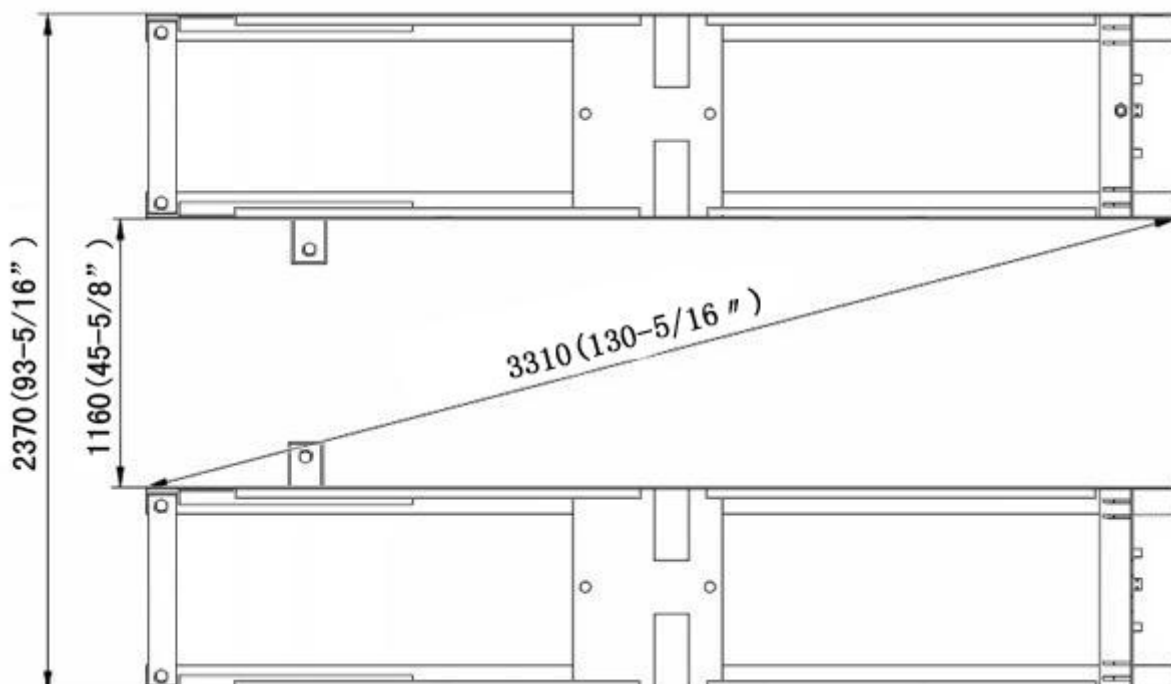
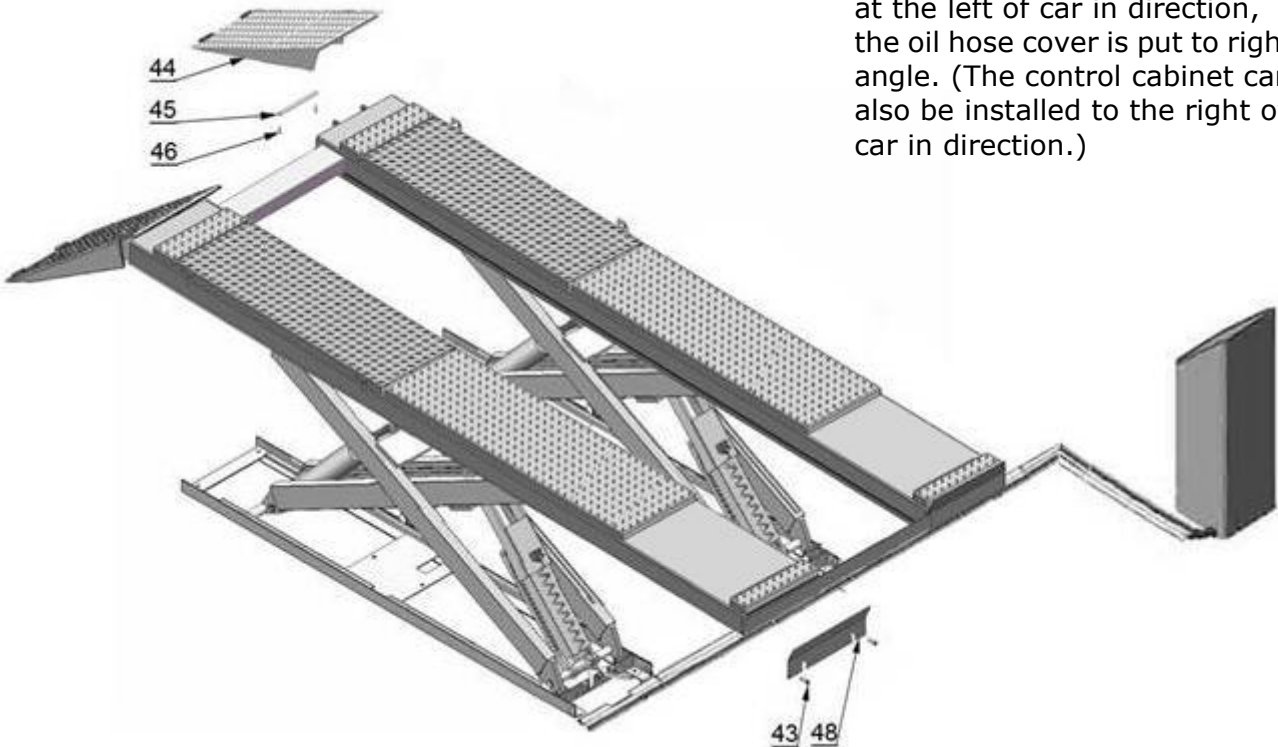


Fig. 3

1.2 Illustration for on surface installation (See Fig.4).

The control cabinet is installed at the left of car in direction, the oil hose cover is put to right angle. (The control cabinet can also be installed to the right of car in direction.)



The control cabinet is installed at the left of car in direction. The oil hose cover is put to straight line. (The control cabinet can also be installed to the right of car in direction)

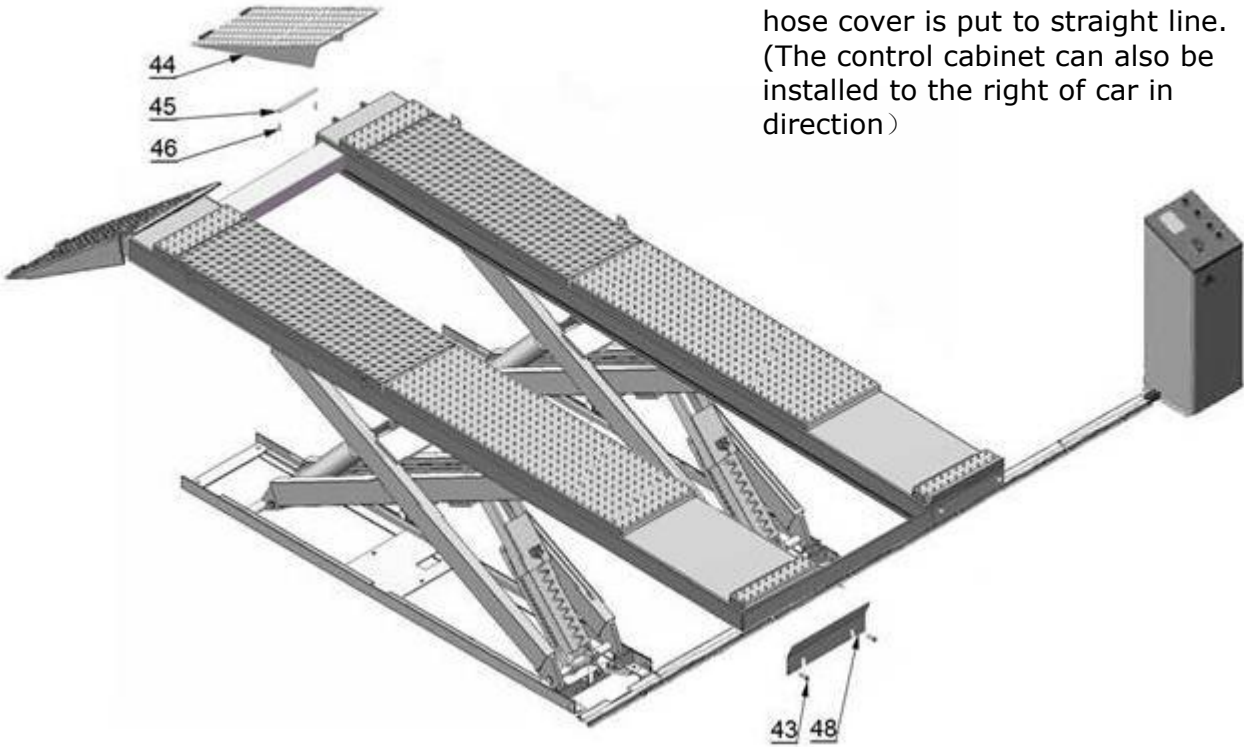
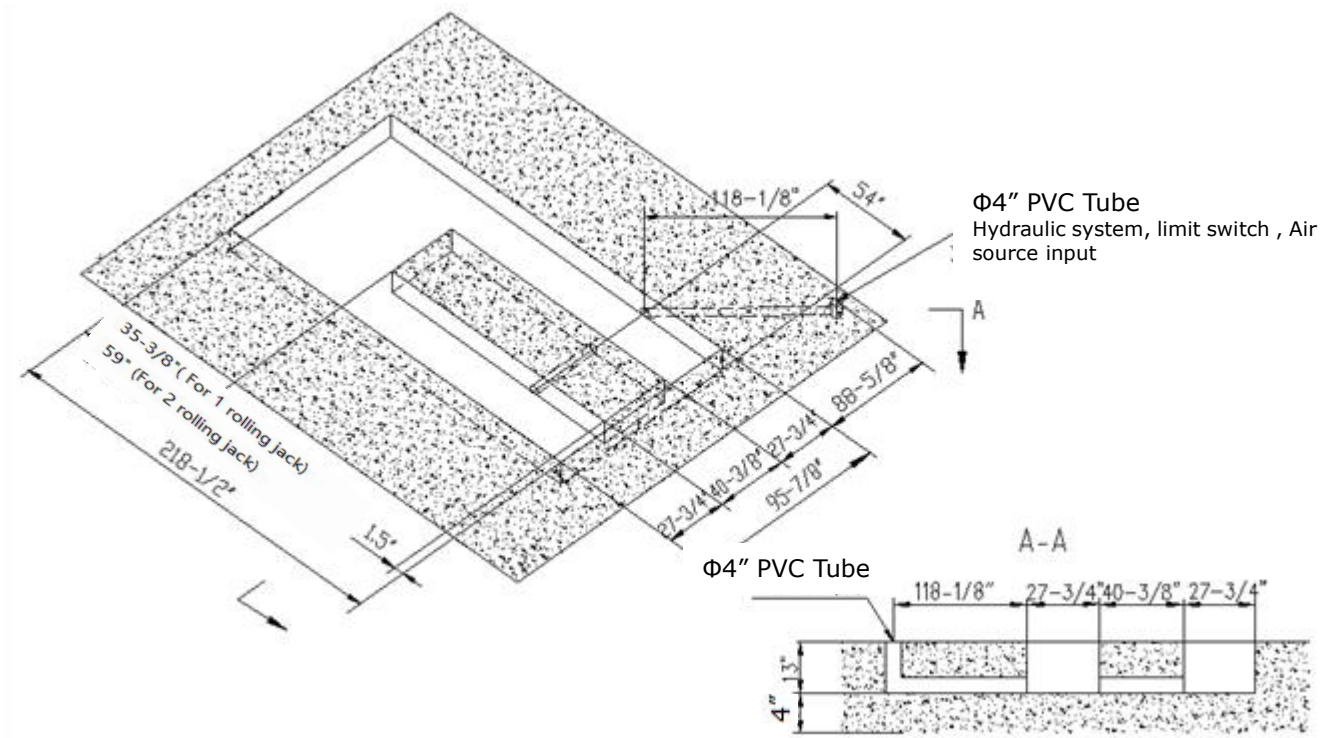


Fig. 4

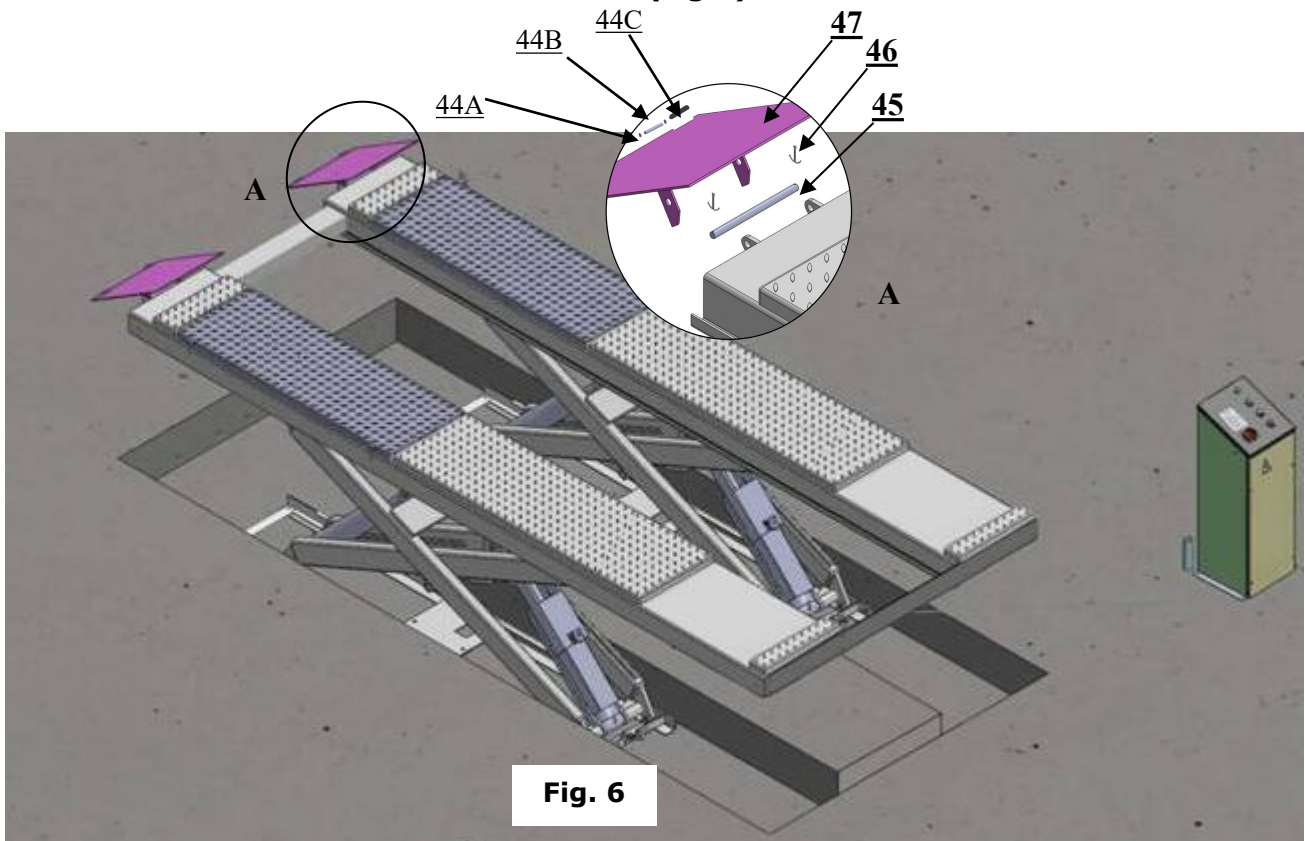
**2. For Optional Installation: Flush mount installation**

**2.1 Flush mount installation foundation (Fig.5).**



**Fig. 5**

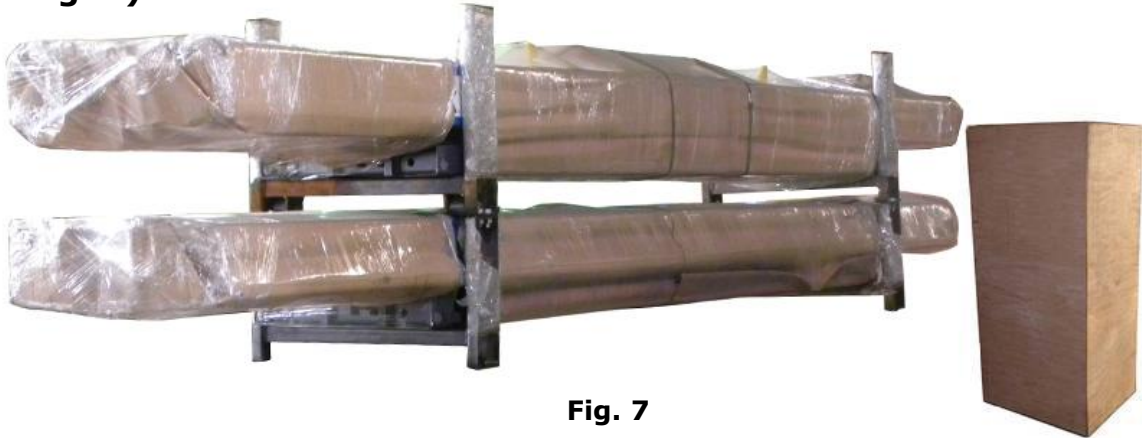
**2.3 Illustration for flush mount installation (Fig.6).**



**Fig. 6**

**B. Check the parts before assembly.**

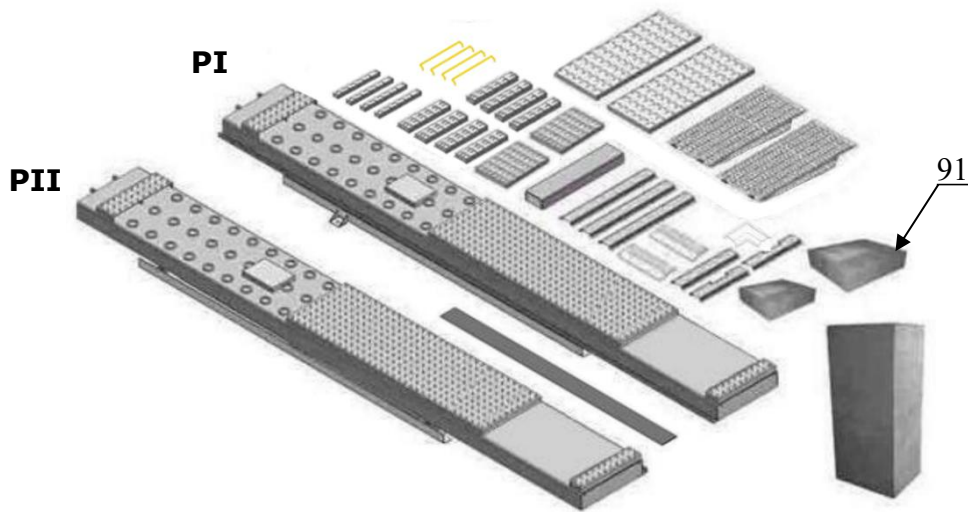
1. Received package (Packaged lift , control cabinet and Guide Ramp. Etc.)(See Fig. 7).



**Fig. 7**

2. Move aside the lift with fork lift or hoist, and open the outer packing carefully.

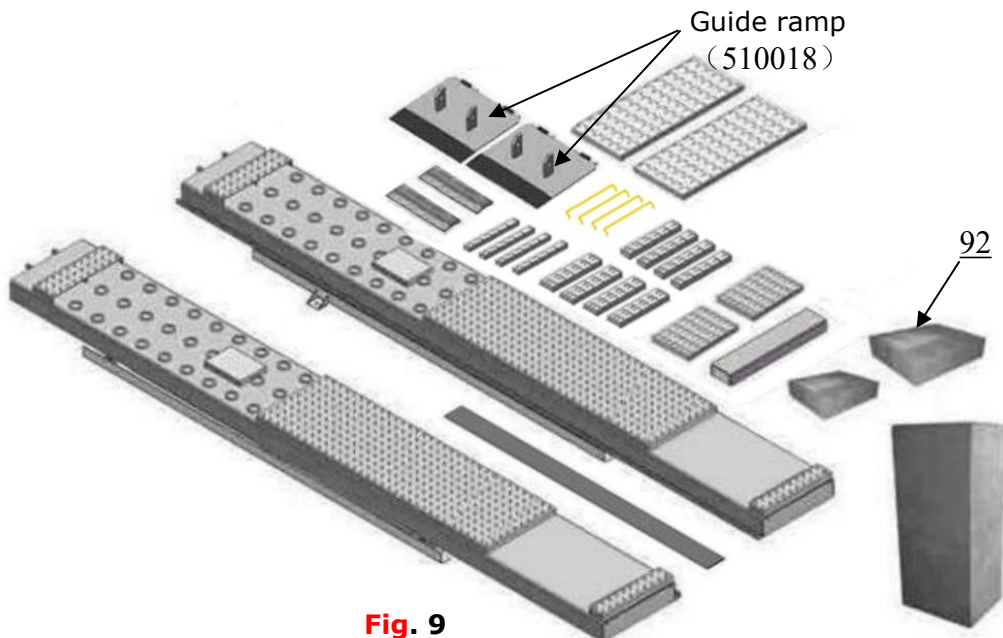
2.1 Parts for on surface installation (See Fig.8)



**Fig. 8**

2.2 Parts for flush mount installation (See Fig.9)

Noted: Need guide ramp for flush mount installation



**Fig. 9**



3. Open the parts box, check the parts according to the part list (See Fig.10).



**Fig. 10**

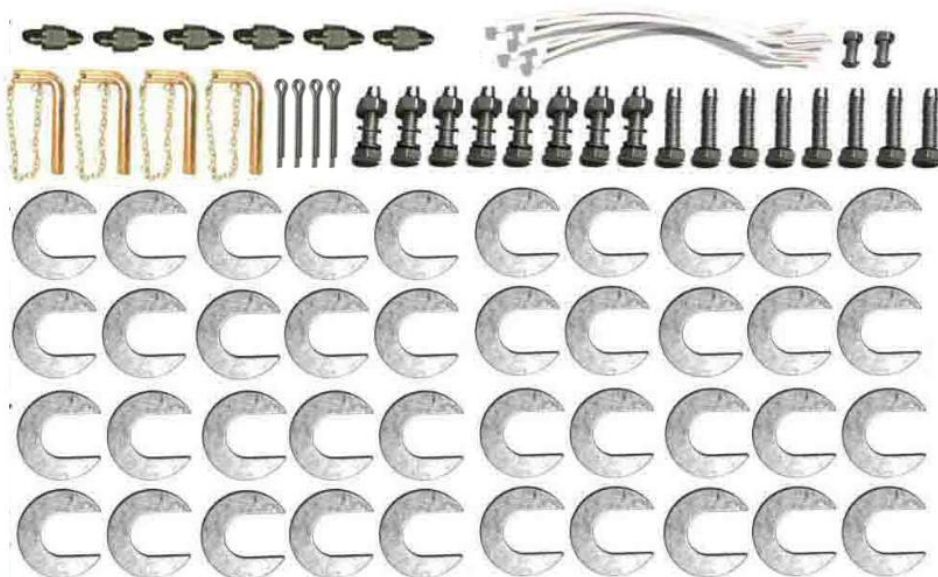
4. Check the parts of the parts bag according to the parts bag list.

4.1 Parts bag for on surface installation (See Fig.11)



**Fig. 11**

4.2 Parts bag for flush mount installation (See Fig.12)

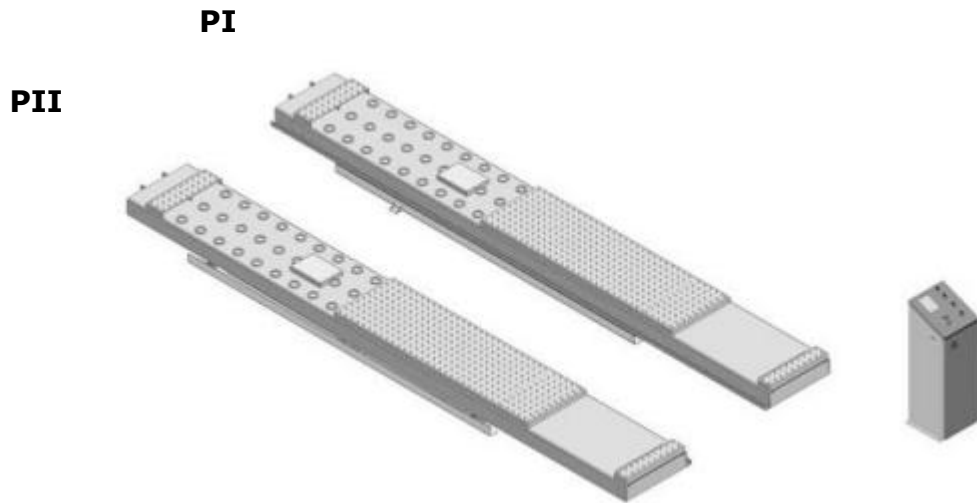


**Fig. 12**

**C. Layout the machine and install oil system and air line system.**

1. Select a location and layout the equipment according to steps **A** (See Fig. 13).

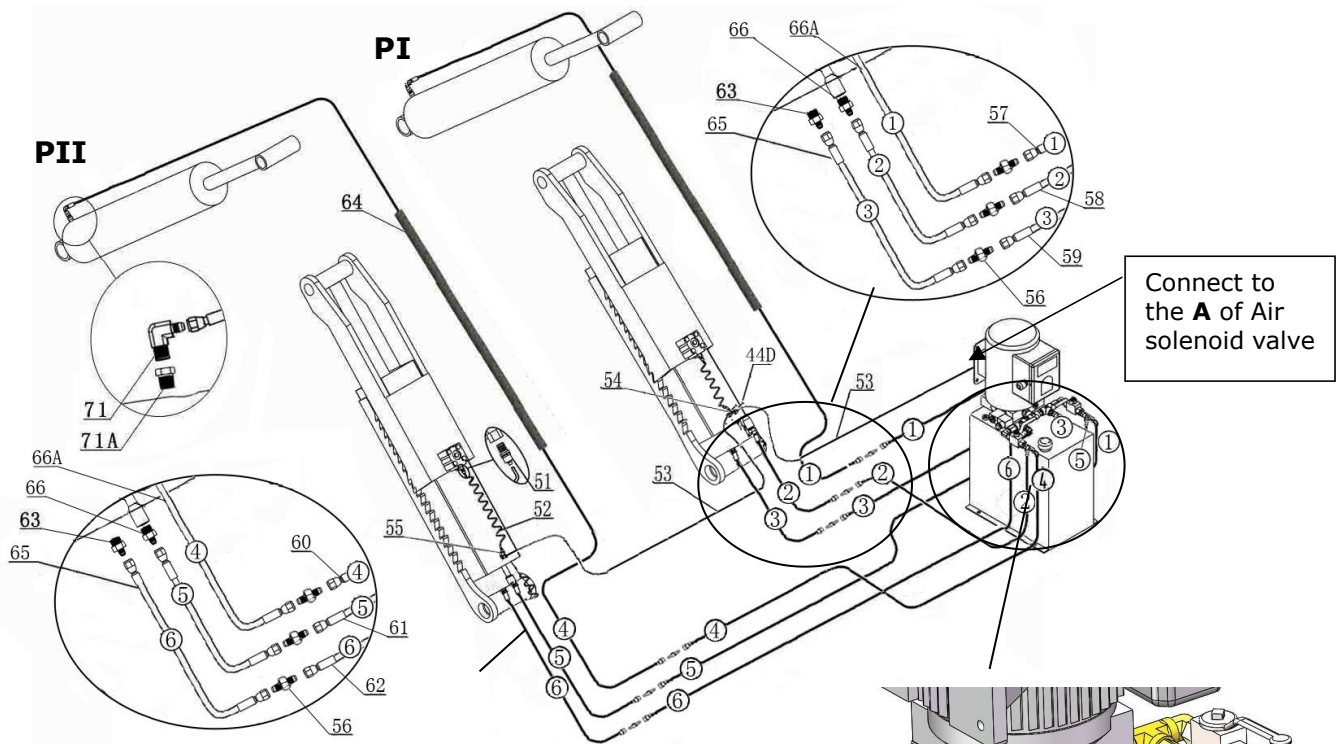
The control cabinet can be installed on the left or right according to the site.



**Fig. 13**

2. Connecting the oil hose and air line.

2.1 Control cabinet installed in the left of the car in direction (See Fig. 14)

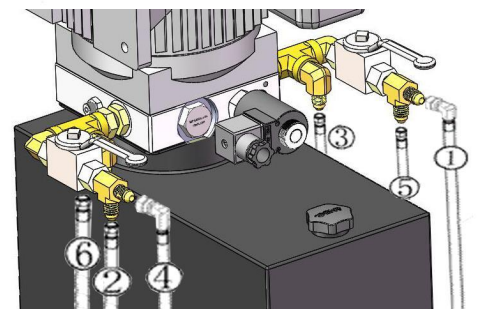


Connect to the **A** of Air solenoid valve

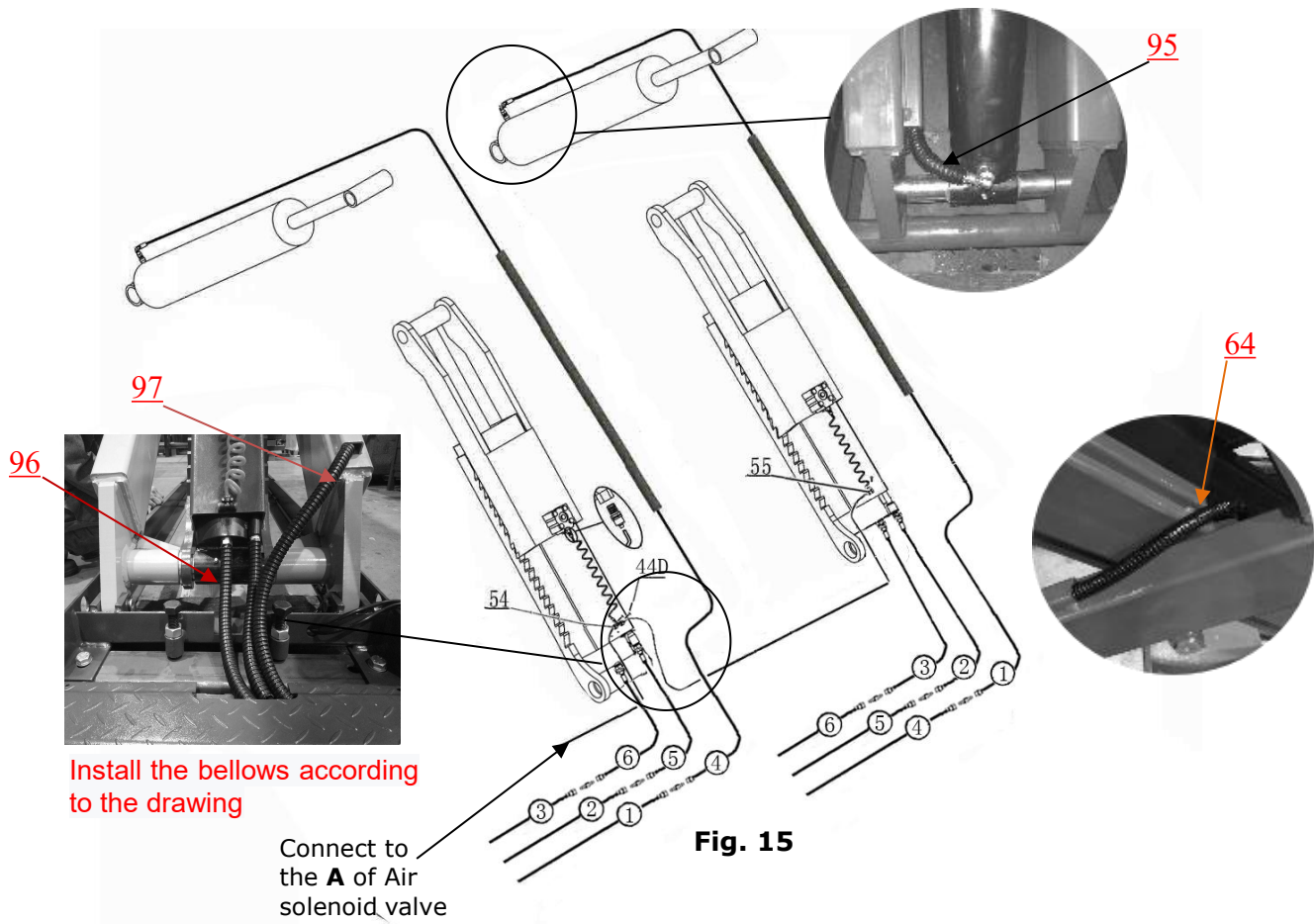
Oil hose length for Control Cabinet

- ① Oil Hose 1/4\*4450mm
- ② Oil Hose 1/4\*4200mm
- ③ Oil Hose 1/4\*4500mm
- ④ Oil Hose 1/4\*5960mm
- ⑤ Oil Hose 1/4\*6100mm
- ⑥ Oil Hose 1/4\*6300mm

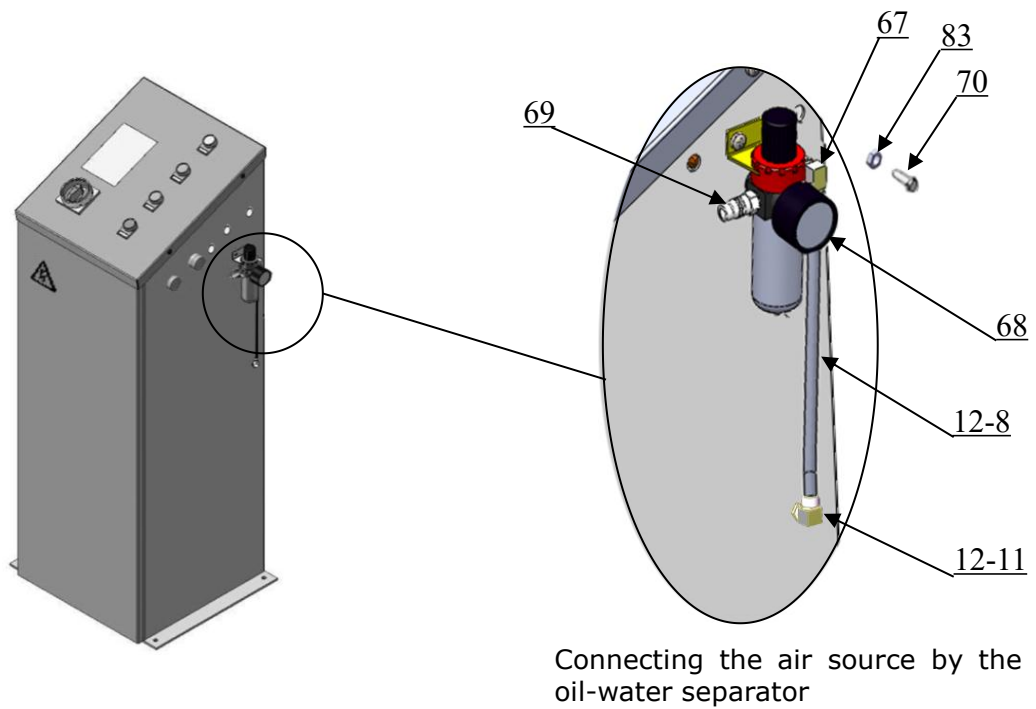
**Fig. 14**



2.2 Control cabinet installed in the right of the car in direction (See Fig. 15).



3. Install the oil-water separator (See Fig. 16).

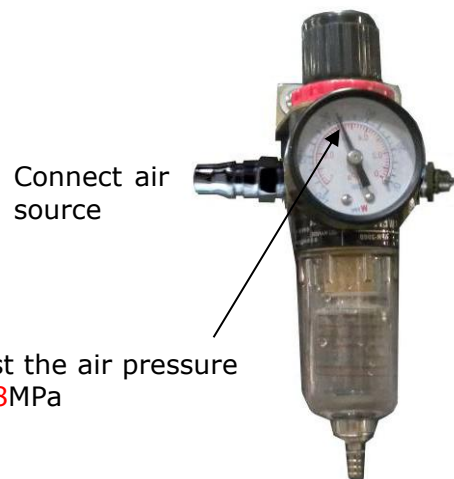


**Fig.16**

4. Connect the air source (air pressure 5kg/cm<sup>2</sup>-8kg/cm<sup>2</sup> ), Adjust the air pressure to 0.8MPa (See Fig. 17).



Clockwise to increase the air pressure  
Counter-clockwise to reduce the air pressure  
Adjust the air pressure to 0.8MPa

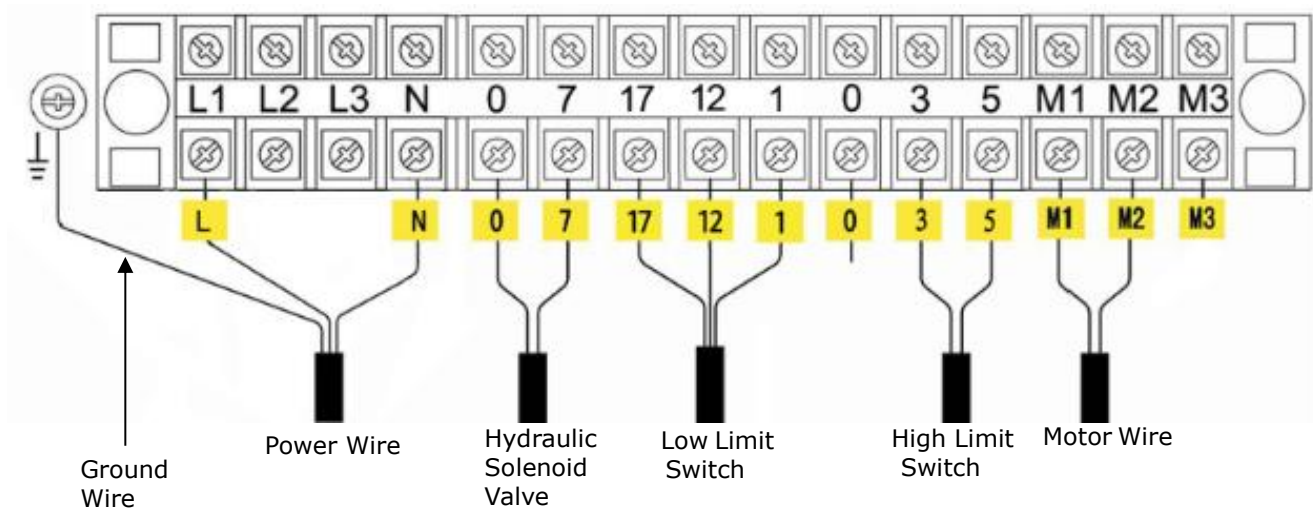


**Fig. 17**

#### D. Install electric system

1. Wire connection for hydraulic power unit (220V)

1.1 Connect the power wire and limit switch wire according to the Wiring diagram (See Fig. 18)



**Fig. 18**

**When the input power supply are two fire wires, these two fire wires connect terminal L1 and N in separate.**

### 1.2 Circuit Diagram (See Fig. 19).

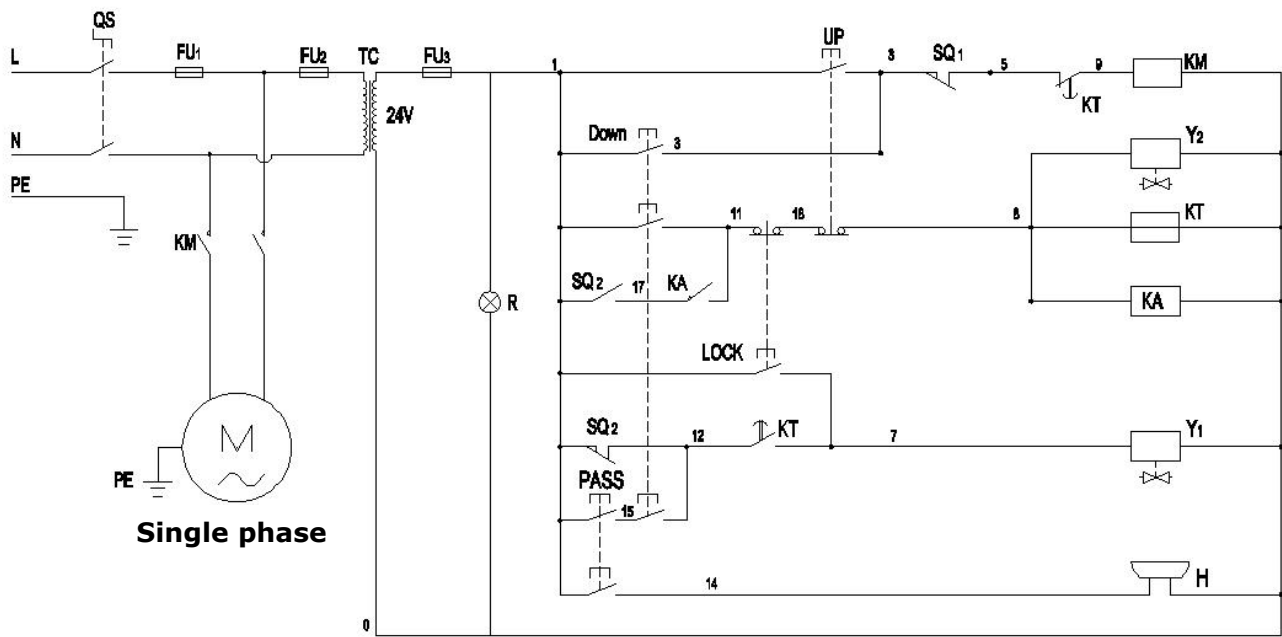


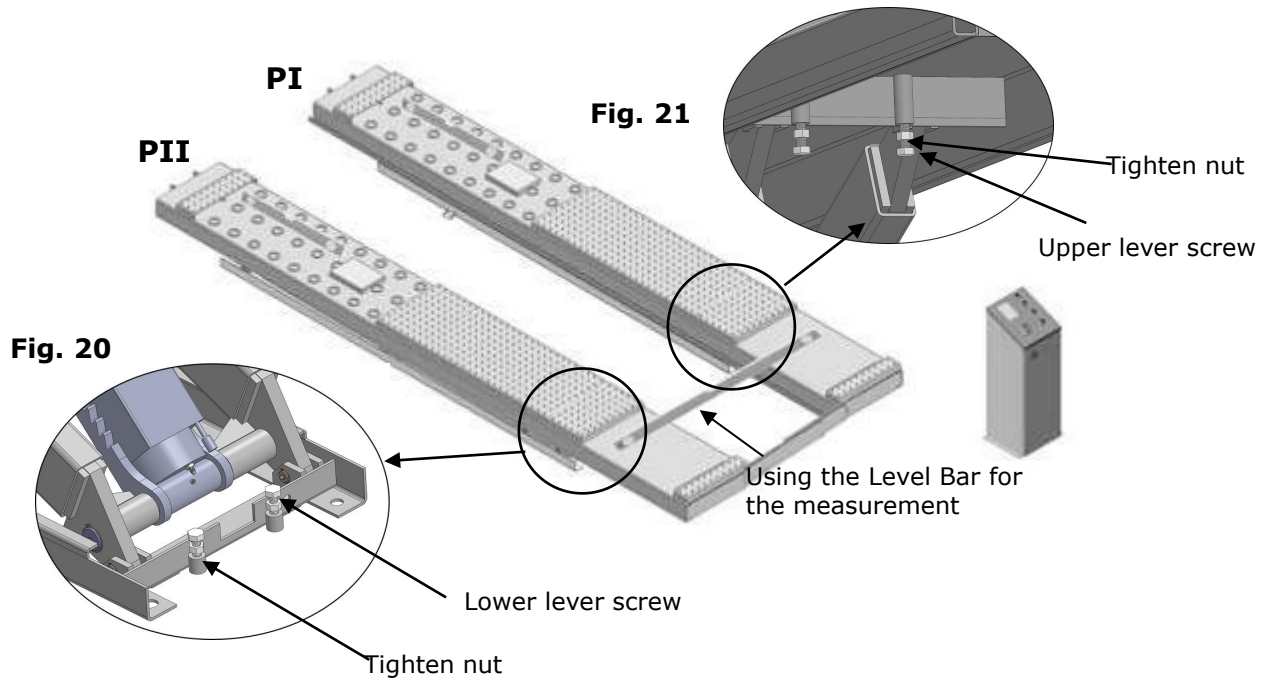
Fig. 19

### 220V Electric Component

Item	Name	Code	Specification	Item	Name	Code	Specification
1	Power switch	QS	380V AC	11	Push button	UP	Duplex
2	Breaker	FU <sub>1</sub>	2P	12	Push button	LOCK	Duplex
3	Breaker	FU <sub>2</sub>	1P	13	Push button	Down	Triple
4	Breaker	FU <sub>3</sub>	1P	14	Lower Alarm button	Pass	Duplex
5	AC contactor	KM	24V AC	15	Buzzer	H	24VAC
6	Time relay	KT	24V AC	16	Transformer	TC	24VAC
7	Low Limit Switch	SQ1	10A	17	Intermediate relay	KA	24VAC
8	High Limit Switch	SQ2	10A	18	Power indicator	R	24VAC
9	Hydraulic solenoid valve	Y1	24V AC				
10	Air solenoid valve	Y2	AC 24V				

## E. Level two platforms and install anchor bolts.

1. Check by level bar, adjust downward screw(see Fig 20) ,level adjustment until two platforms to both side, then adjust upward screw(see Fig 21) and make it to touch with downward screw when lower to the lowest position, tighten nut finally.



2. Install anchor bolts.

- 2.1 Raise the lift to 1000mm then drill holes to install the anchor bolts (See Fig.22).

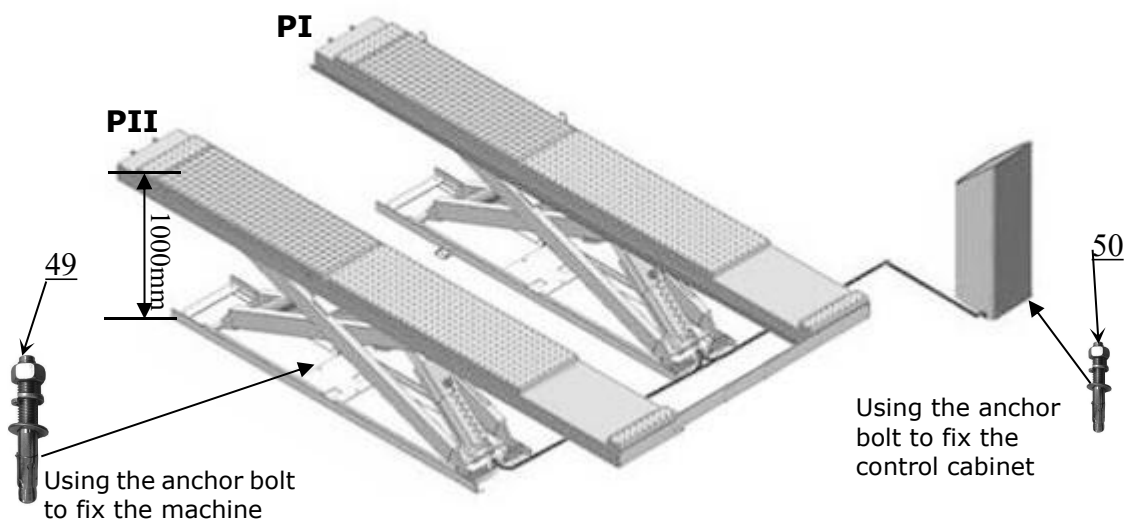
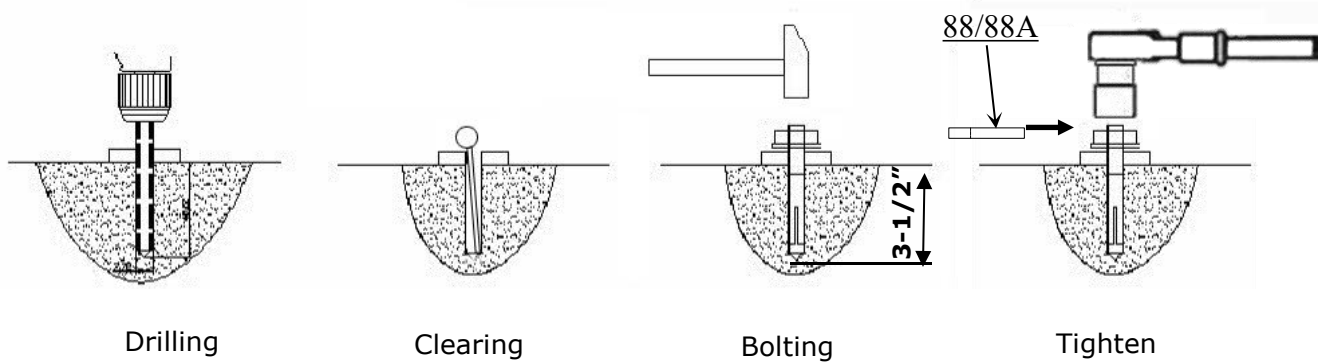


Fig. 22

## 2.2 Fix the anchor bolts.

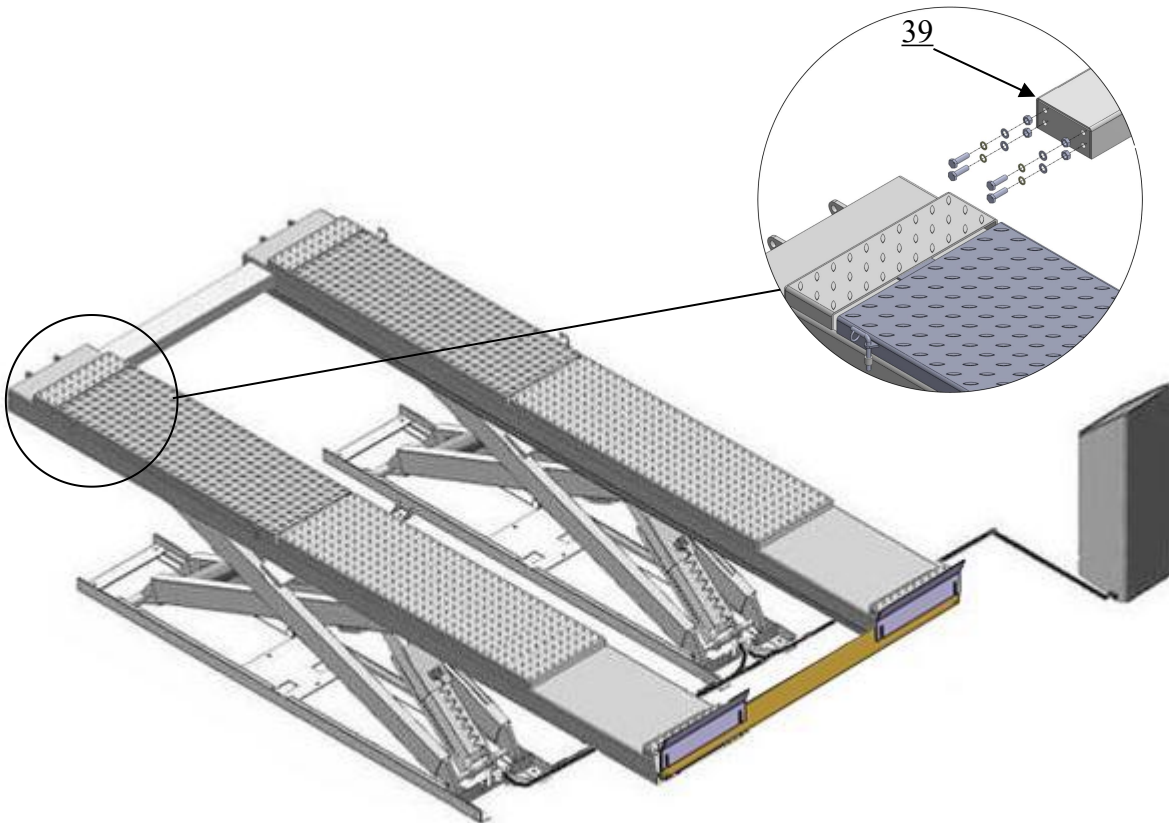
Drilling the hole for the anchor bolt with the rotary hammer drill, type the anchor bolt into the ground, and then fasten it with ratchet spanner (**See Fig. 23**). **Note: The torque of anchor bolt is 150N.m, the length inside ground of anchor bolt must be over 3-1/2".**



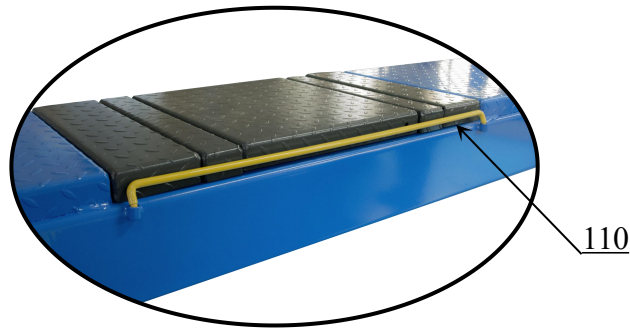
For the lifts: use  $\Phi 19$  driller to drill hole  
For the control cabinet: use  $\Phi 10$  driller to drill hole

**Fig. 23**

## F. Install platform runway connecting bar, Install Limit rod. (See Fig. 24).



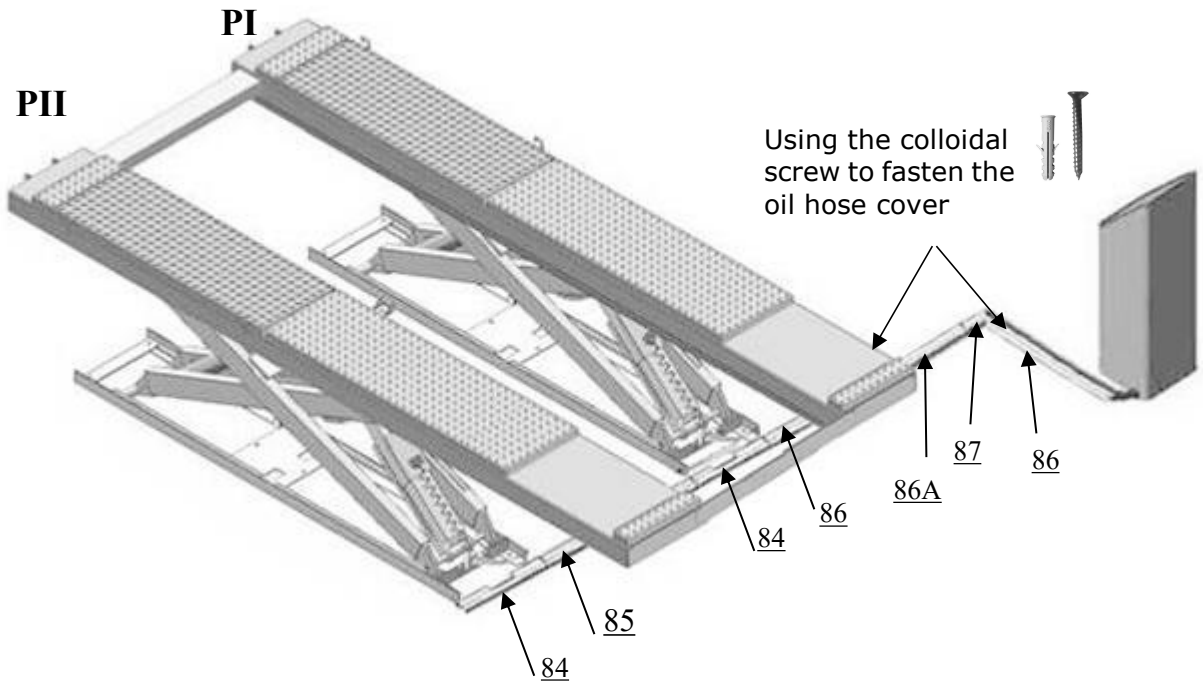
**Fig. 24**



Install Limit rod

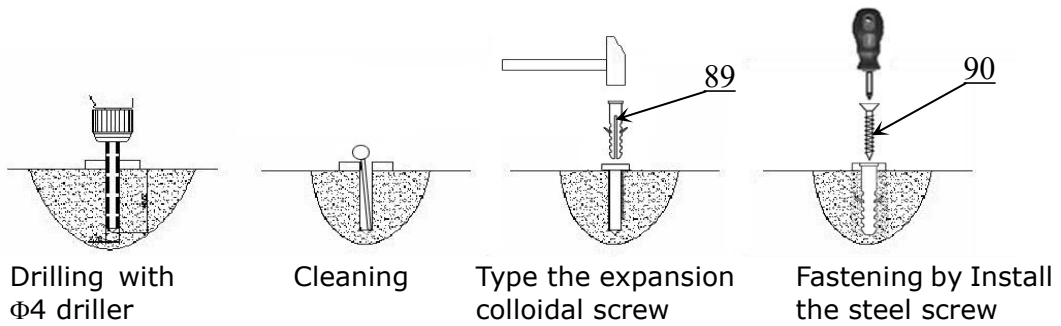
**G. Install oil hose cover for on surface installation.**

1. Tidy up the oil hose and air line, cover the oil hose cover (See Fig. 25).



**Fig. 25**

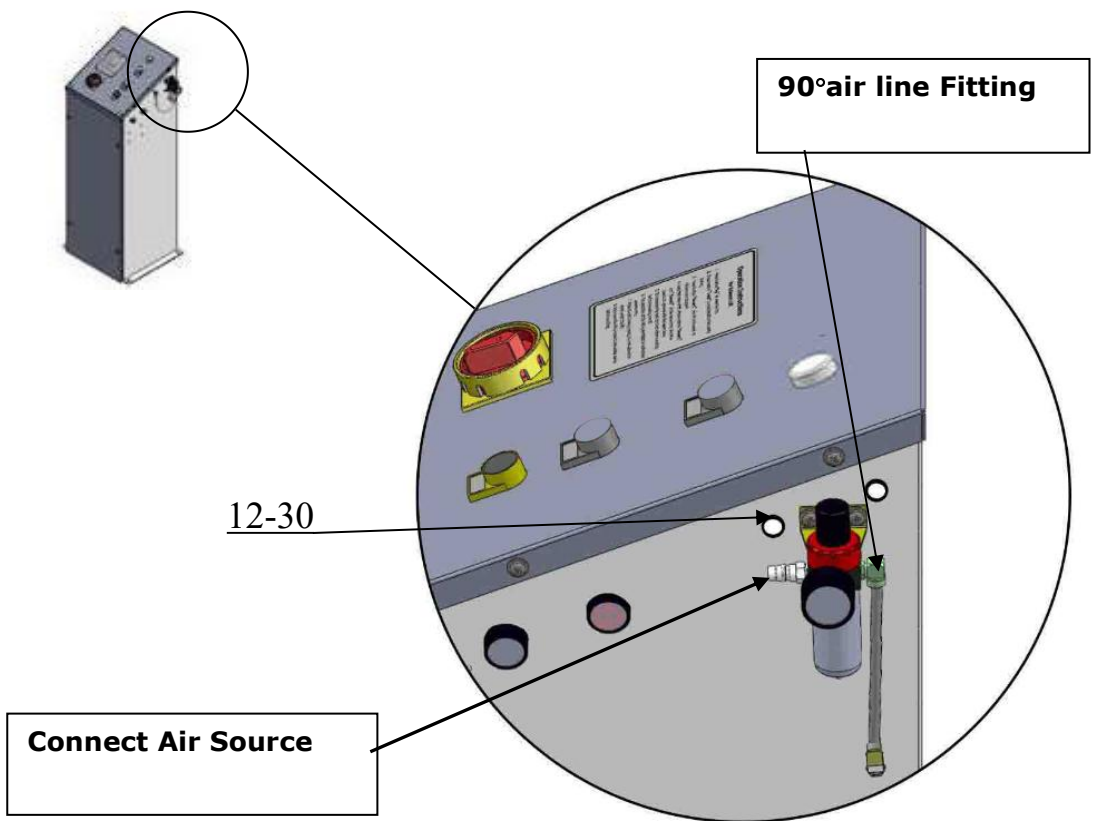
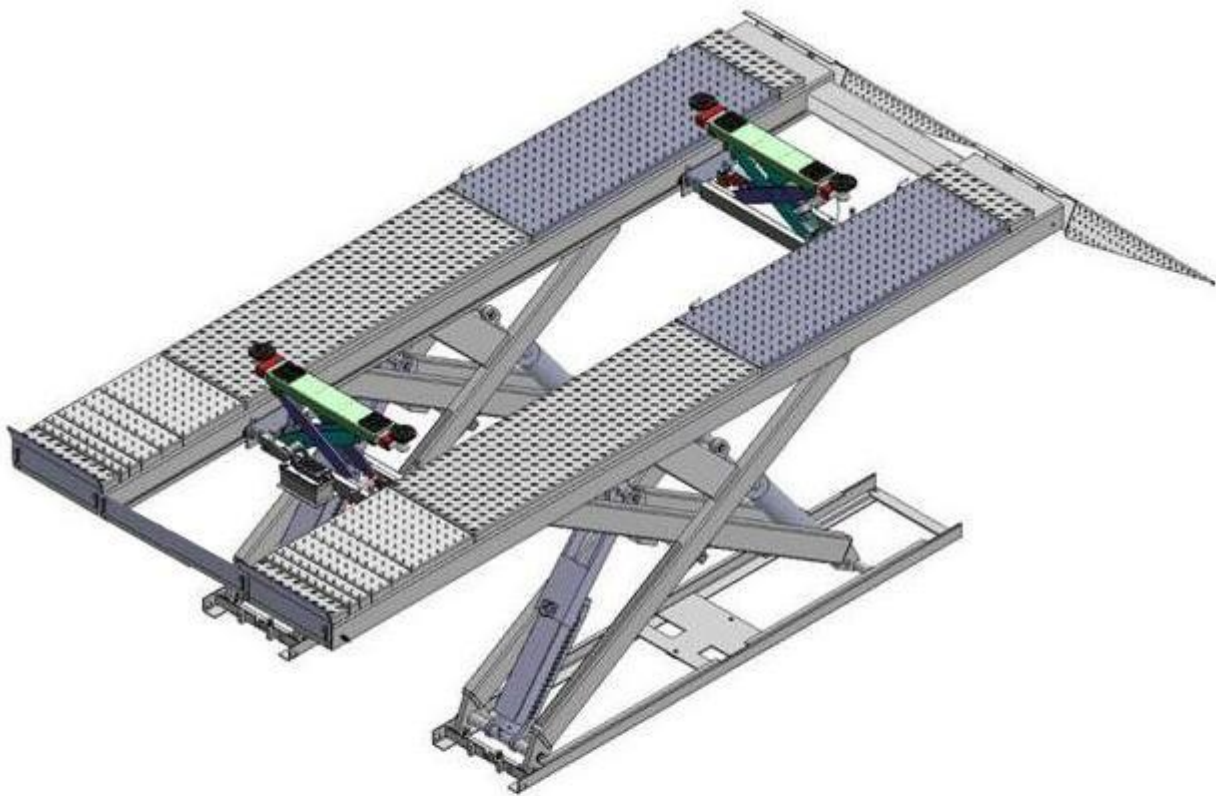
2. Install the oil hose cover (See Fig. 26).



**Fig. 26**



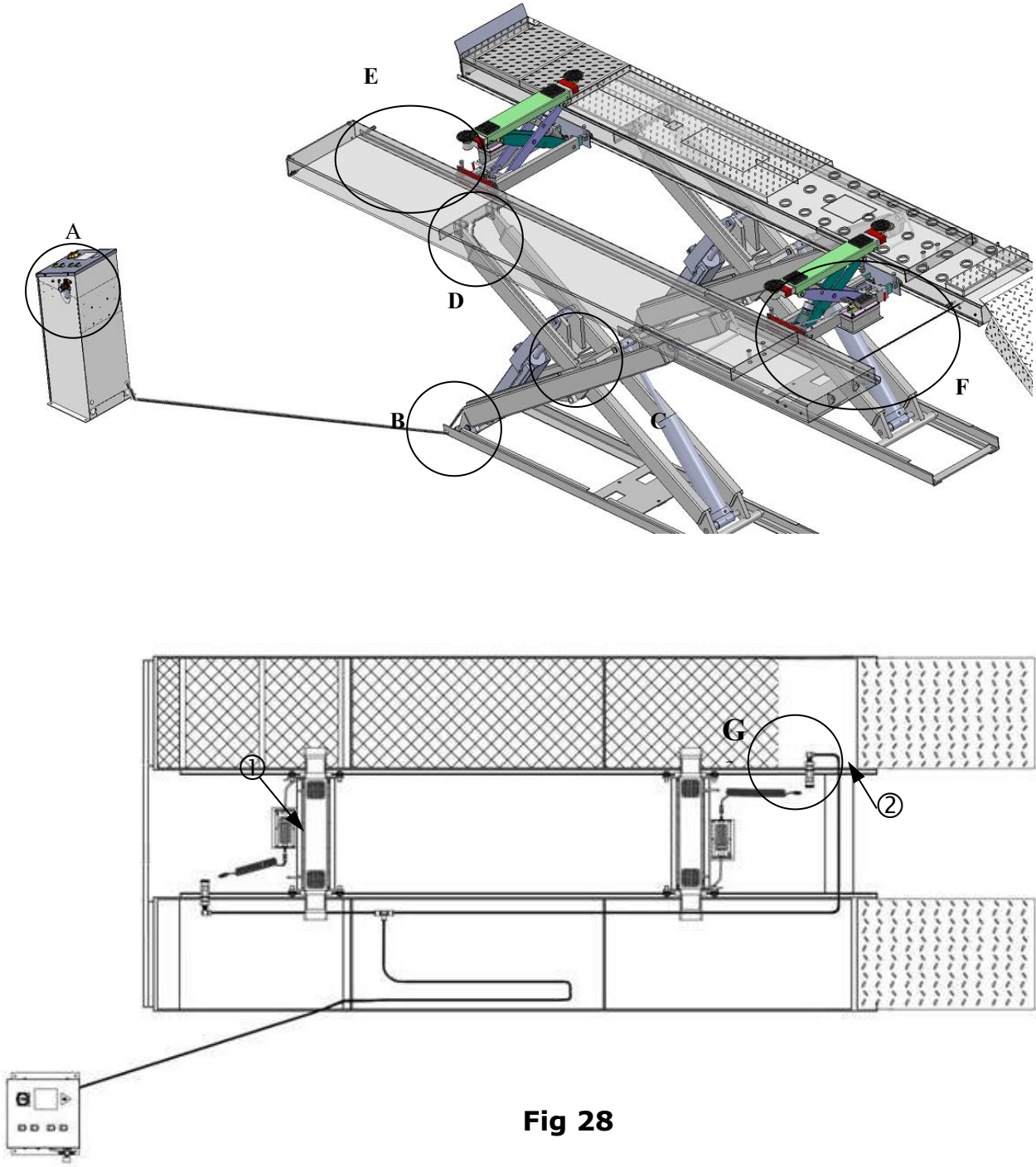
**H.Install optional parts of air line kit(see Fig.27)**



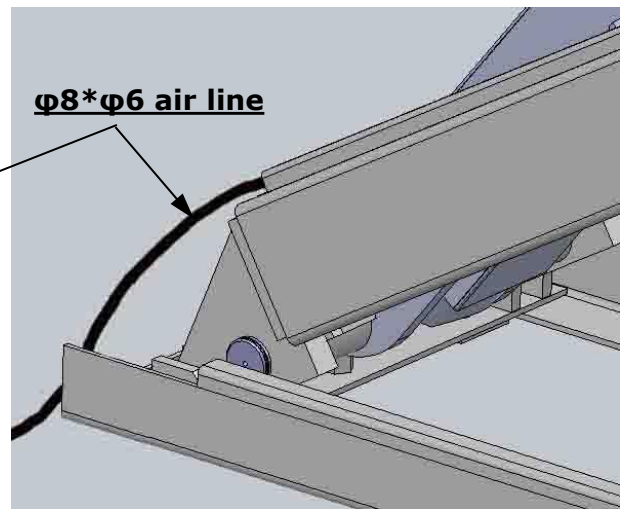
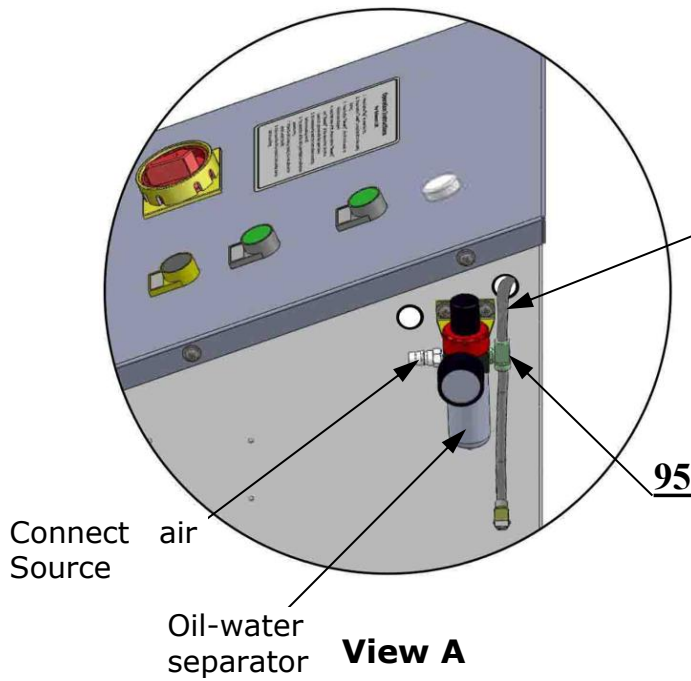
**Fig.27**

**1.Install air line kit**

1.1. Connect the air line fittings with  $\phi 8 * \phi 6$  black air line as following photo. The length of air line can be cut accordingly. **(See Fig.28)**

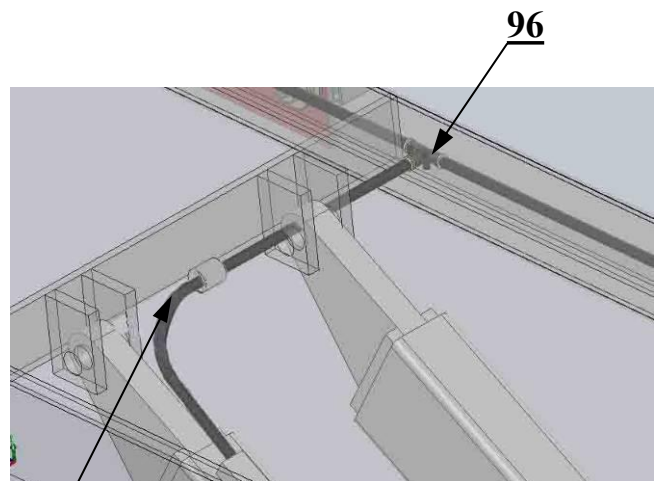
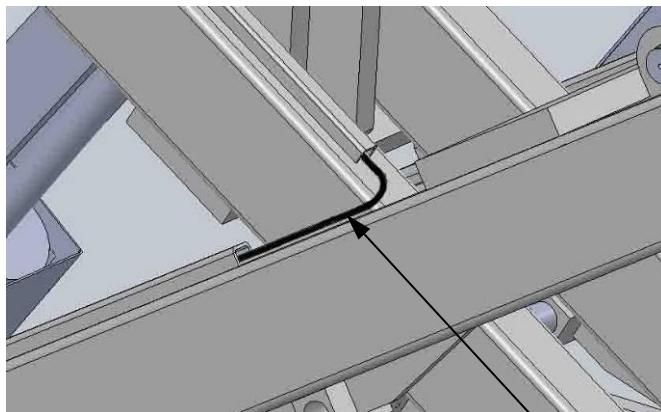


**Fig 28**



1.2. Replace 90° air line fitting to two-way fitting from oil-water separator, then pass through black air line (ø8\*ø6) to control cabinet and connect with screw fitting.

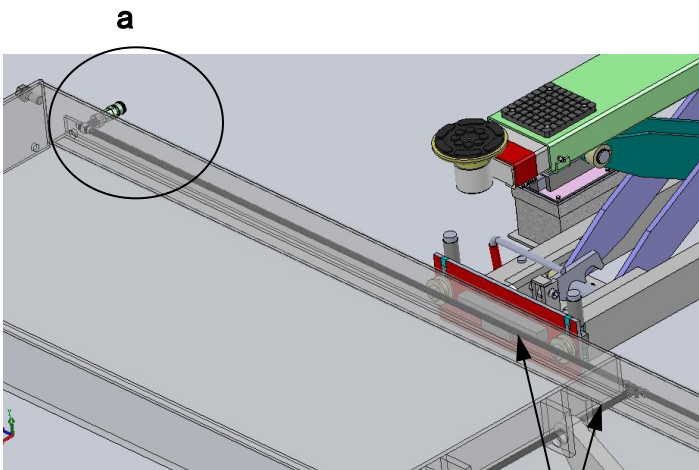
1.3. Through black air line (ø8\*ø6) to the hole at the base and fixing slot of outer scissor



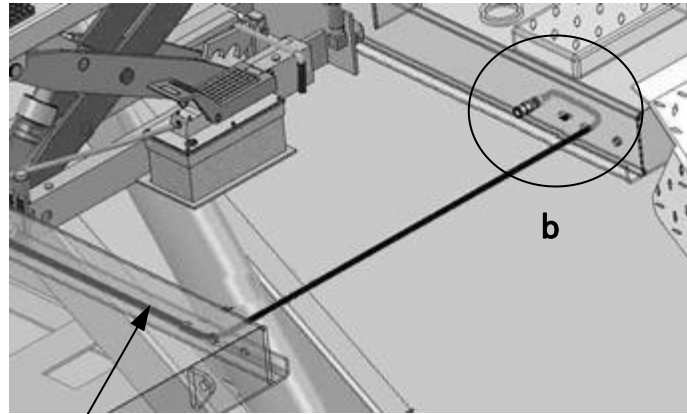
**View C**

ø8\*ø6 Air line

**View D**



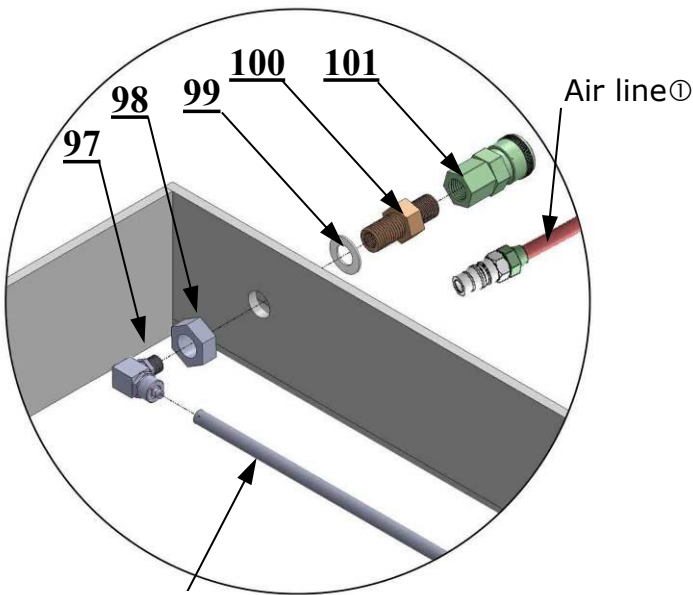
**View E**



**View F**

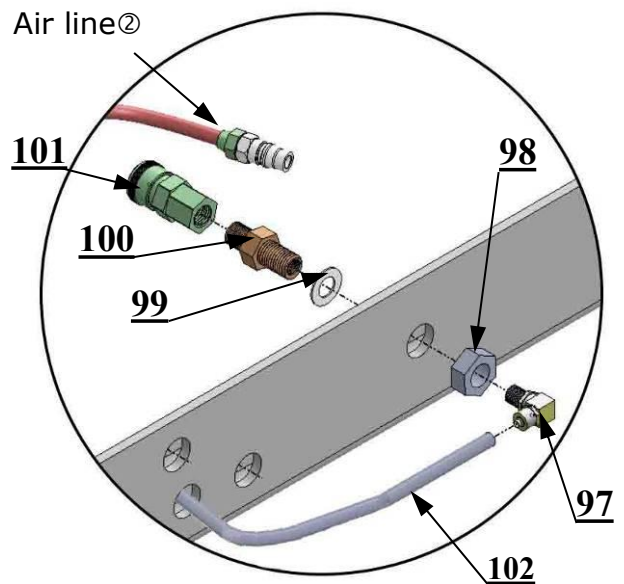
Ø8\*Ø6Air line

1.4. With Two-way valve separate the air source into two ways and connect with rolling jack separately



Ø8\*Ø6Air line

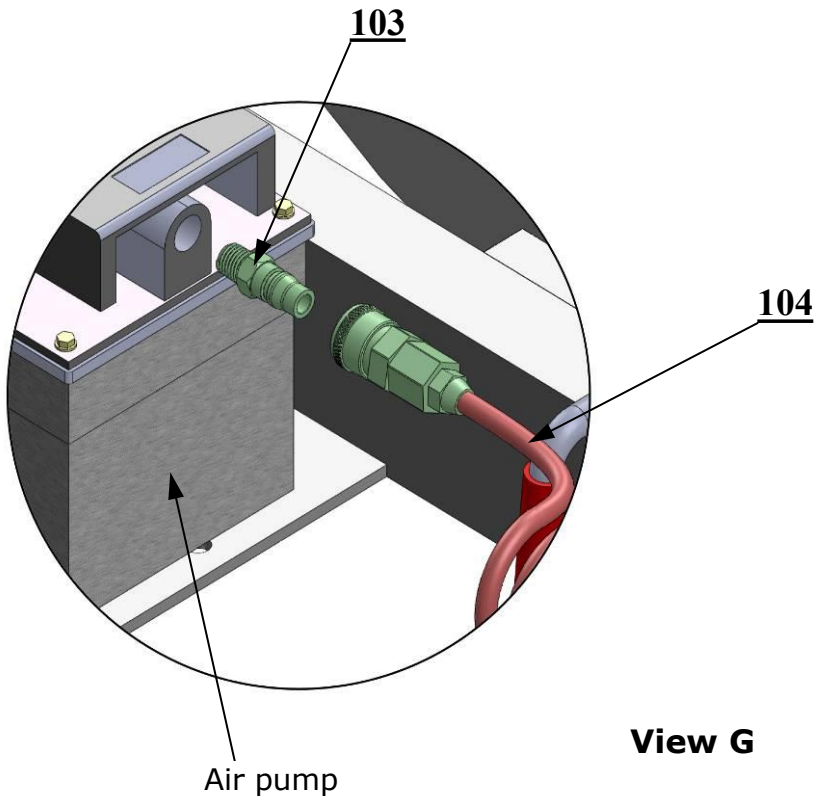
**View a**



**View b**

1.5. Install quick female fitting, then connect it with male air line ①

1.6. Install quick female fitting, then connect it with male air line ②



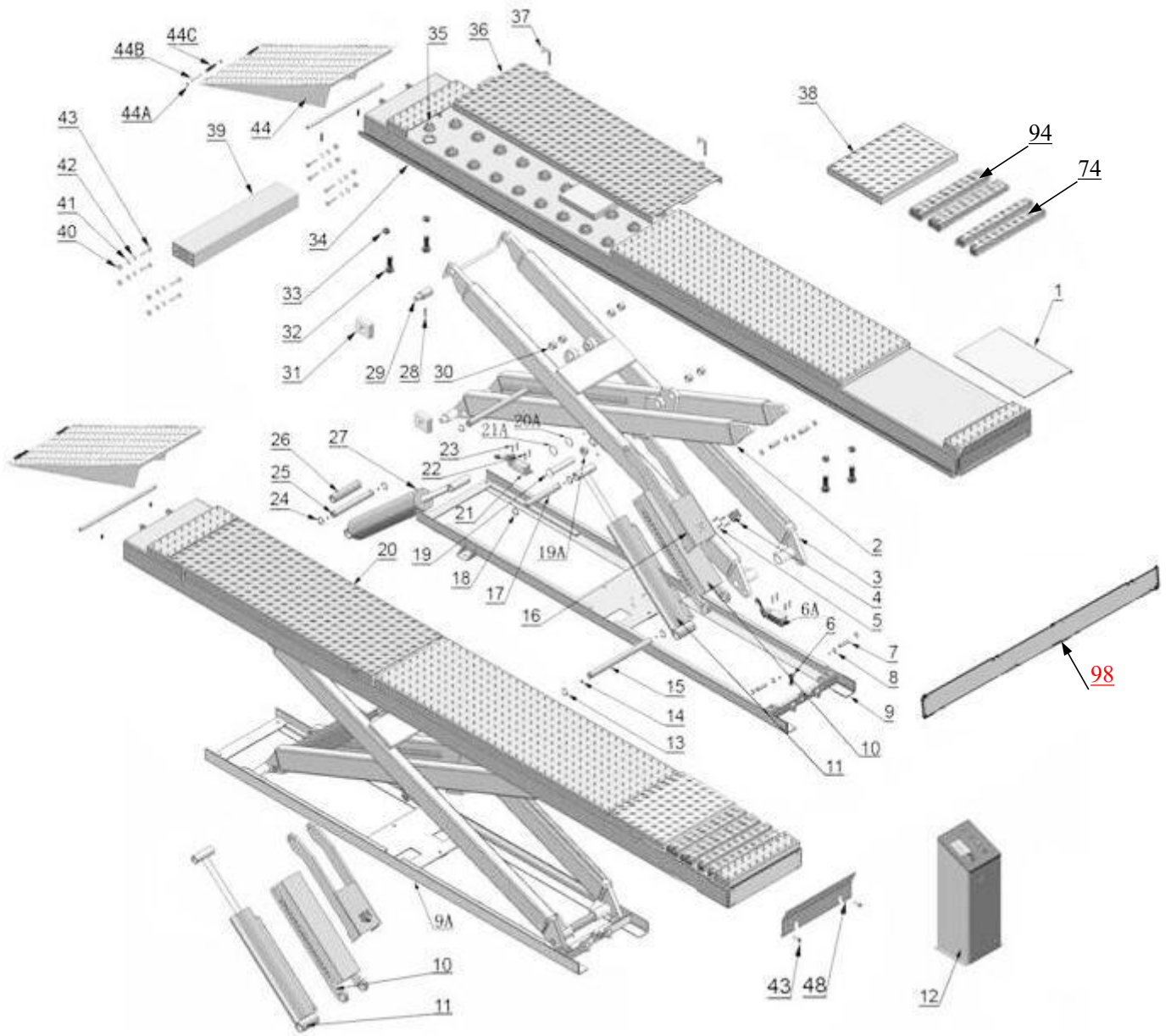
1.7. Connect female airlines of ① and ② to quick male fitting on two operate jack.

Part list for Optional Airline Kits:

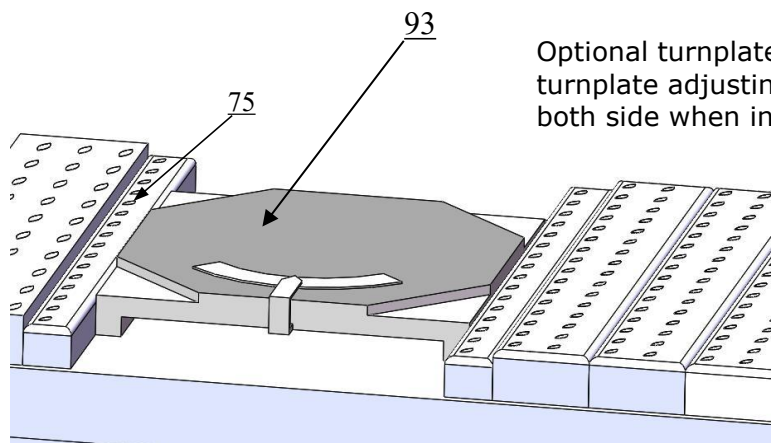
Item	Part#	Description	QTY	Item	Part#	Description	QTY
95	10420213	T screw fitting	1	100	1061K091	Air line fitting	2
96	10540007	Quick T fitting	1	101	1061K090	C shape Quick female fitting	2
97	1061K094	90° bend fitting	2	102	10540009	φ8*φ6*17500mm Air line	1
98	1061K092	Hex nut M14	2	103	10420146	Quick Male fitting	2
99	10430010	φ14 Washer	2	104	10520065A	Spring air line (Include male and female fitting)	2

#### IV. EXPLODED VIEW

#### MODEL AX-16A



**Fig.31**



Optional turnplate (set  
turnplate adjusting block to  
both side when installation)

## PARTS LIST For Model AX-16A

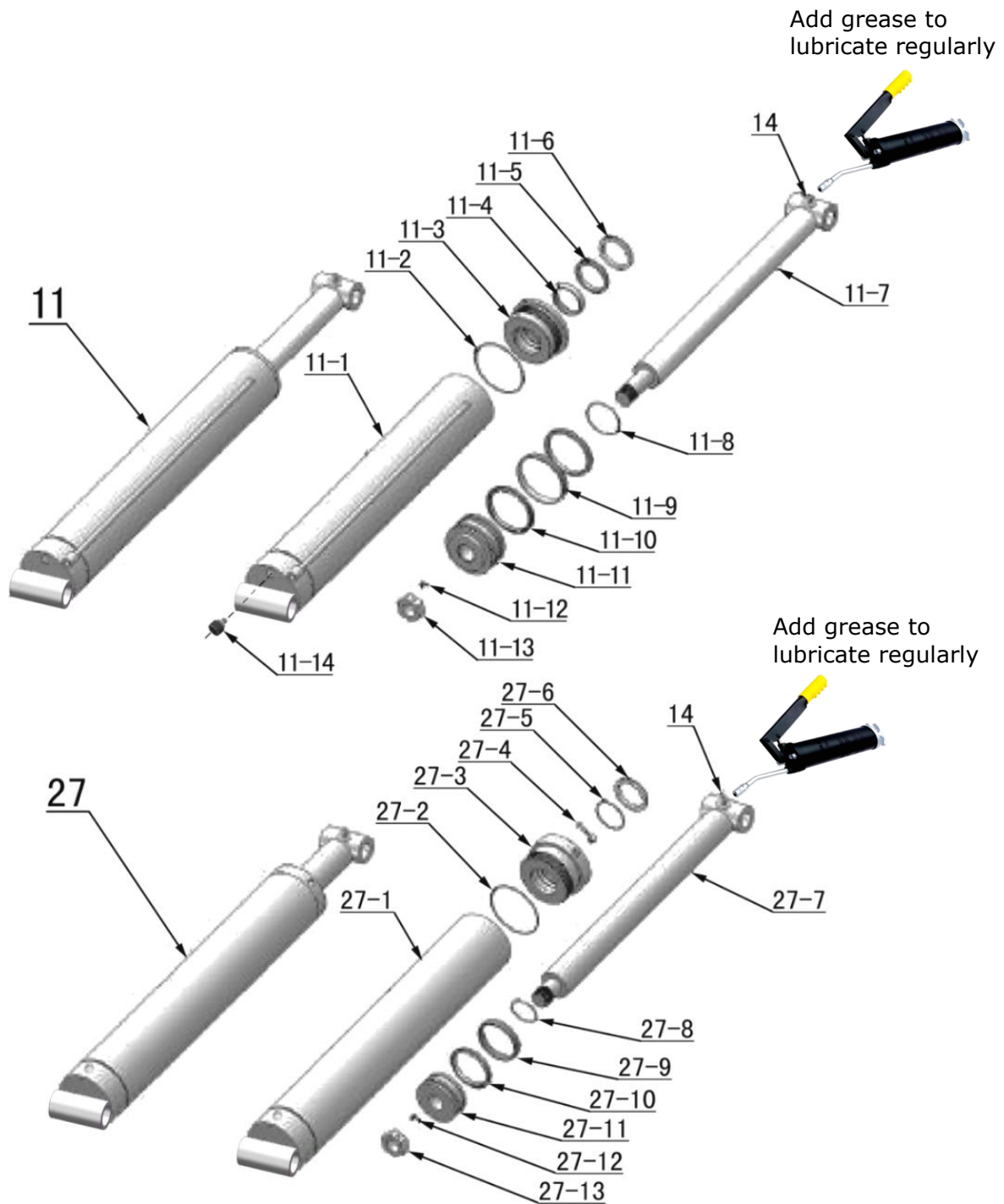
Item	Part#	Description	QTY	Note
1	11520003	Shelf	2	
2	11530002A	Inner Scissors	2	
3	11530003A	Outer Scissors	2	
4	10520011	Air Cylinder	2	
5	10420153	Cap Head Bolt M6*20	8	
6	10510012	Hex Bolt M20*75	4	
6A	10510040	Limit switch assy.	1	
7	11520013A	Connecting Pin	8	
8	10206032	Snap Ring $\phi$ 25	16	
9	11520015C	Base frame	1	
9A	11520015D	Base frame	1	
10	11520038B	Main Safety Lock Tube	2	
11	10520028B	Main Cylinder	2	
12	10520102B	Control Cabinet	1	
13	10520020	Snap Ring $\phi$ 50	4	
14	10620064	Grease Fitting M6	32	
15	11520018A	Connecting Shaft For Main Cylinder	2	
16	11520021A	Safety Lock	2	
17	11610005A	Connecting pin for Main Cylinder	4	
18	10610098	Snap Ring $\phi$ 35	8	
19	11520024A	Connecting Pin For Scissors	4	
19A	10610019	Self locking nut M30*3.5	4	
20	11570002	Offside Platform	1	
20A	10610108	Washer $\phi$ 44* $\phi$ 30.5*2	4	
21	10510041	Limit Switch Assy.	1	
21A	10530023	Washer	4	
22	10620109	Cap Head Bolt M4*18	4	
23	10420164	Cap Head Bolt M4*30	4	
24	10520023	Snap Ring $\phi$ 38	4	
25	11560026A	Connecting Shaft For Secondly Cylinder	2	
26	11560027	Piston Connecting Tube	2	
27	10520017B	Secondly Cylinder	2	
28	10520108	Socket Set Screw M8*10 (cuspidal end)	4	
29	11520032A	Pin For Pulley	4	
30	10530042	Bronze Bush( $\phi$ 41.3* $\phi$ 35.1*28)	8	
31	10530012	Slider	8	
32	10510028	Hex Bolt(M20*110)	8	
33	10420175A	Hex Nut M20	12	
34	11570001	Powerside Platform	1	
35	10420157	Steel Ball	86	
36	11570003	Side Slip Plate	2	
37	11520037	Pin for Rear Slip Plate	4	
38	11560003	Cover for Turnplate	2	
39	11570004	Runway Connecting Bar	1	
40	10206023B	Hex Nut M12	8	
41	10420026	Lock Washer $\phi$ 12	8	

Item	Part#	Description	QTY	Note
42	10206006	Washer φ12	8	
43	10420136	Hex Bolt M12*45	16	
44	11520005A	Drive-in Ramp(On surface/Flush mount)	2/0	
44A	10206010	Snap ring φ10	8	
44B	11620043	Roller Pin	4	
44C	11610667	Up Sweep Roller	4	
44D	10510039	Cap head bolt M3*16	3	
45	11510006	Pin For Drive-in Ramp	2	
46	10201005	Split Pin 4*50	4	
47	11510018	Guild Ramp (On surface/Flush mount)	0/2	
48	11520004A	Tire Stop Plate	2	
49	10209059	Anchor Bolt 3/4*5-1/2	14	
50	10620071	Anchor Bolt M10*100	4	
51	10420047	Quick Fitting for Air Cylinder	2	
52	10520065	Spring Air Line	2	
53	10570015	Air Line (Black) φ 6*φ 4*8200mm	1	
54	10420124	T-fitting	1	
55	10520069	90° Quick fitting for air line	1	
56	10620079	T-Fitting 1/4JIC(M) *1/4JIC(M)	6	
57	10203119-01	Oil Hose No.①1/4*4450mm (straight+90° )	1	
58	10540020-01	Oil Hose No.②1/4*4200mm (double straight)	1	
59	10540019-01	Oil Hose No.③1/4*4500mm (double straight)	1	
60	10570022-01	Oil Hose No.⑥1/4*5960mm (straight+90° )	1	
61	10570023-01	Oil Hose No.⑤1/4*6100mm (double straight)	1	
62	10570024-01	Oil Hose No.④1/4*6300mm (double straight)	1	
63	10510023	Straight Fitting G3/8-19(M)*1/4JIC(M)	2	
64	1003245004	Metal bellows φ 25. 5 φ 20*530	2	
65	10540030-01	Oil hose 1/4*600mm (double straight)	4	
66	10420119	Straight Fitting for cylinder 3/8NPT(M)*1/4JIC(M)	2	
66A	10540021-01	Oil Hose 1/4*3600mm (double straight)	2	
67	10420076	90° Fitting for air line	1	
68	10420145	Oil-water Separator AFR-2000	1	
69	10420146	Straight Fitting for air line (1/4 external thread)	1	
70	10680005	Cap Head Bolt M6*10	4	
71	10420097	90° Fitting 1/4NPT(M)*1/4JIC(M)	4	
71A	10510024	Transition Fitting G3/8-19(M)*1/4NPT(F)	2	
72	071204	Electric Power unit	1	
73	10440009	Straight Fitting for power unit 3/8SEAO/R(M)*1/4NPT(M)	2	
74	11580090	Turnplate adjusting block (605*76*50)	4	
75	11580097	Turnplate adjusting block(no.1) (605*35*35)	4	
76	1061K107	T-fitting 1/4NPT(F)*1/4NPT(F)*1/4NPT(F)	2	
77	1061K050	Hex Bolt M8*30	4	
78	10209033	Washer φ8	8	
79	10209005	Self locking Nut M8	4	



80	10209062	T-Fitting 1/4NPT(M)*1/4JIC(M)*1/4JIC(M)	2	
81	1061K101	Shut off Valve 1/4NPT(F)*1/4NPT(F)	2	
82	10680072	90° Fitting 1/4NPT(M)*1/4NPT(M)	2	
83	10420018	Self locking Nut M6	2	
84	11570618	Oil horse Cover (L=605mm)	2	
85	11540028	Oil Hose Cover (L=1160mm)	1	
86	11540027	Oil Hose Cover (L=1060mm)	2	
86A	11540025	Oil Hose Cover (L=750mm)	1	
87	11540029	Oil Hose Cover	1	
88	10620065	Shim (2mm)	20	
88A	10201090	Shim(1mm)	20	
89	10620070	Colloidal φ6	36	
90	10620069	Wood Screw M4*30	36	
91	10570500	Parts box(On surface installation)	1	
92	10570501	Parts box(On surface installation)	1	
93	10420158	Turnplate (optional)	2	
94	11520116	Turnplate adjusting block(no.2) (605*145*50)	4	
95	1003245001	Metal bellows φ25.5φ20*140	2	
96	1003245002	Metal bellows φ25.5φ20*400	4	
97	1003245003	Metal bellows φ25.5φ20*600	2	
98	11570027	Platform connecting bar L=2387mm	1	
99	11440090	Limit rod	4	

#### 4.1 CYLINDERS EXPLODED VIEW(520028B/520017B)

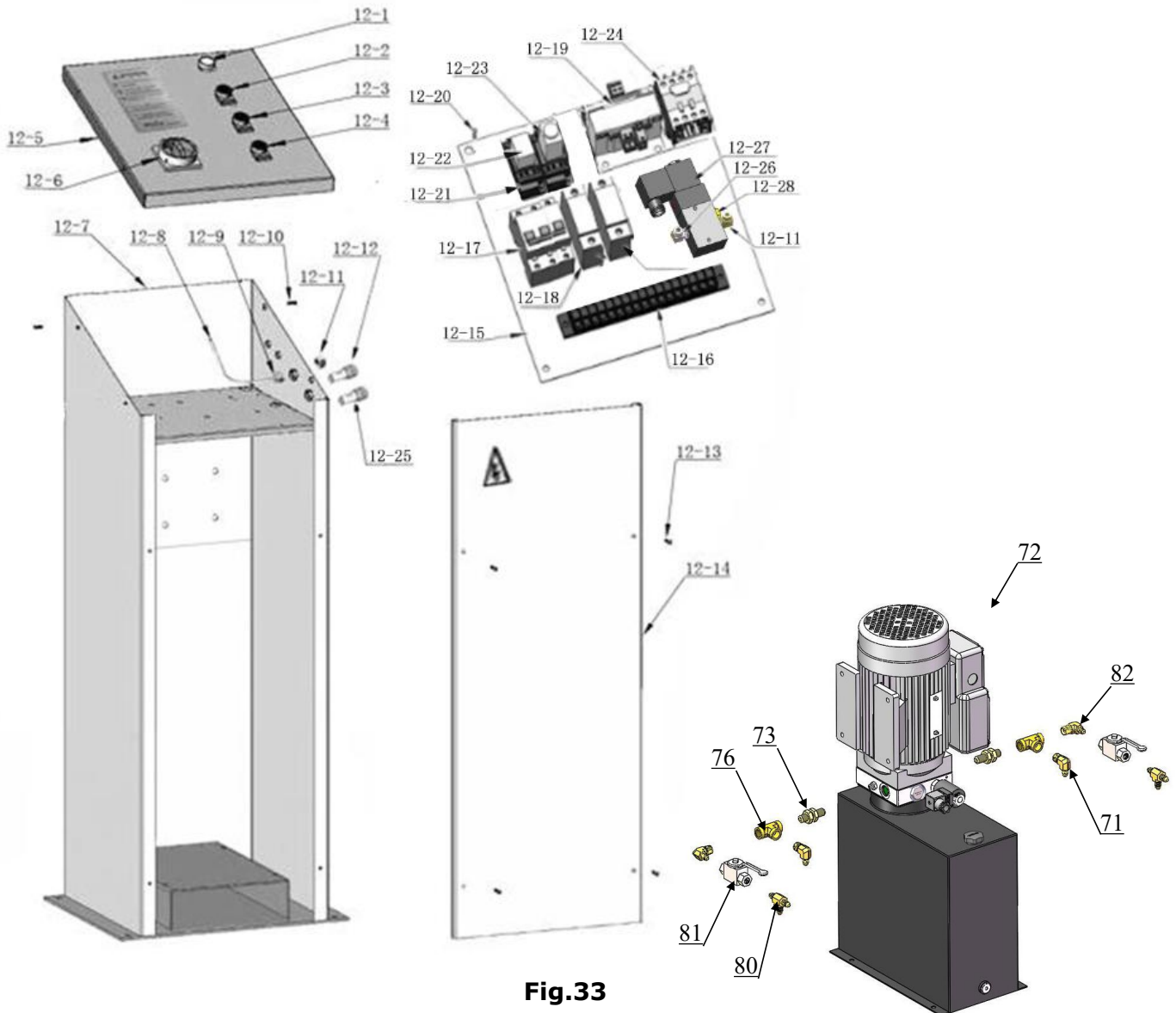


**Fig. 32**

**Parts For Cylinder**

Item	Part#	Description	QTY	Note
<b>Parts For Main Cylinder</b>				
11-1	10510008B	Main Cylinder	1	
11-2	10520053	O- Ring (φ118*5.3)	1	
11-3	11520043	Head Cap(Main)	1	
11-4	10520052	Support Ring (φ67*φ73*15)	1	
11-5	10520051	Y- Ring ISI(φ67*φ77*6)	1	
11-6	10520050	Dust Ring (φ67*φ75)	1	
11-7	11510009B	Piston Rod (Main)	1	
11-8	10520054	O- Ring (φ38*3.55)	1	
11-9	10520056	Support Ring (φ114*φ120*15)	1	
11-10	10520055	Y- Ring OSI(φ105*φ120*9)	2	
11-11	11520045	Piston (Main)	1	
11-12	10520049	Set Screw	1	
11-13	10520047	Hex Nut	1	
11-14	10530009	Burst valve	2	
<b>Parts For Secondly Cylinder</b>				
27-1	11510010B	Secondly Cylinder	1	
27-2	10510083	O- Ring (φ100*3.55)	1	
27-3	11520044	Head Cap (Secondly)	1	
27-4	10201034	Bleeding Plug	2	
27-5	10520058	O- Ring (φ45*3.55)	1	
27-6	10217078	Dust Ring (φ45*φ53)	1	
27-7	11510011B	Piston Rod (Secondly)	1	
27-8	10520061	O- Ring (φ28*3.55)	1	
27-9	10520062	Support Ring (φ94*φ100*15)	1	
27-10	10520063	Y- Ring OSI(φ85*φ100*9)	1	
27-11	11520046	Piston (Secondly)	1	
27-12	10520049	Set Screw	1	
27-13	10520048	Hex Nut	1	

## 4.2 CONTROL CABINET EXPLODED VIEW

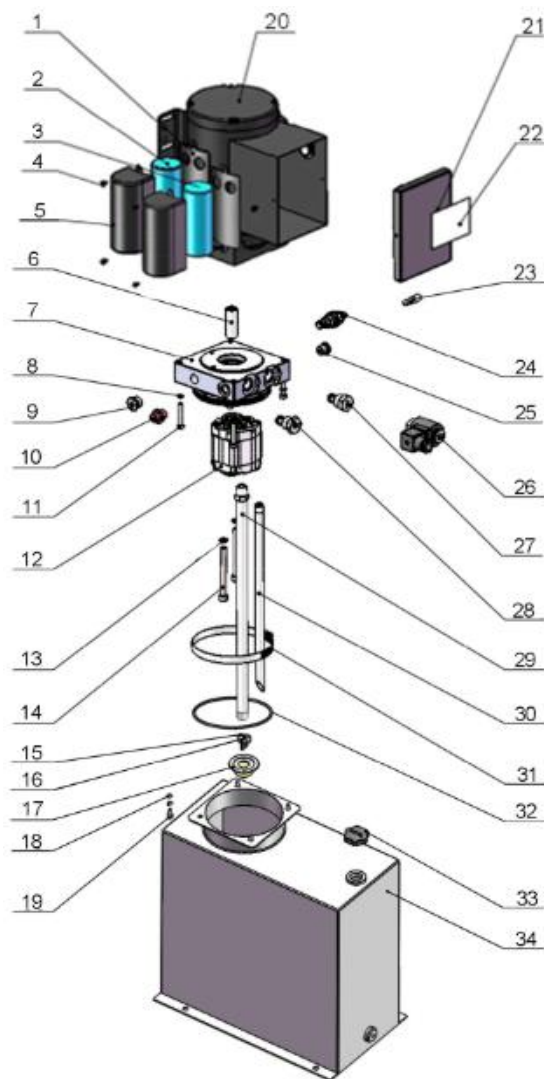


**Fig.33**

Parts for Control Cabinet				
Item	Part#	Description	QTY	Note
12-1	10201094	Power Indicator	1	
12-2	10420071	Button <b>UP</b>	1	
12-3	10420071	Button <b>Lock</b>	1	
12-4	10420072	Button <b>DOWN</b>	1	
12-5	1152K001C	Control Panel	1	
12-6	41010217	Power Switch (QS)	1	
12-7	1152K007D	Cabinet Body	1	
12-8	10420167C	Air line $\phi 6 * \phi 8 * 200\text{mm}$	2	
12-9	1061K110	Straight Fitting 6*8 1/4 inner thread screw	1	
12-10	10209145	Cap Head Bolt M6*12	4	
12-11	10420076	90° Fitting 6*8 1/4 external thread screw	2	
12-12	10420143	Buzzer (H)	1	
12-13	1052K056	Cap Head Bolt M6*30	4	
12-14	1152K022	Cabinet Door	1	
12-15	1152K006A	Install panel	1	

Item	Part#	Description	QTY	Note
12-16	10620082	Terminal	1	
12-17	10202046	Breaker 2P (Only for Single Phase)	1	
12-18	10202049	Breaker 1P	2	
12-19	10580114	Transformer (TC)	1	
12-20	1061K052	Cap head bolt M4*8	19	
12-21	10420135	Timer Relay Base	2	
12-22	10420141	Intermediate Relay(KA)	1	
12-23	10420083	Timer Relay(KT)	1	
12-24	10420084A	AC Contactor (KM)	1	
12-25	10420142	Down Alarm Button Pass	1	
12-26	10420166	90° Fitting 6*4 1/4 external thread screw	1	
12-27	10420077	Air Solenoid Valve(Y2)	1	
12-28	10201034	Bleeding plug 1/4 external thread	1	

#### 4.3 ELECTRIC POWER UNIT EXPLODED VIEW(071204)



**220V/60HZ /1Phase Electric Power Unit Parts list**

<b>Item</b>	<b>Part#</b>	<b>Description</b>	<b>Qty.</b>	<b>Note</b>
1	81400180	Rubber Pad	2	
2	81400250	Start capacitor	1	
3	81400200	Run Capacitor	1	
4	10420148	Cap head bolt with washer	6	
5	81400066	Protective cover for capacitor	2	
6	81400363	Motor Connecting Shaft	1	
7	80101014	Manifold Block	1	
8	10209149	Lock Washer $\phi 6$	4	
9	81400276	Hex iron plug	1	
10	81400259	Red Plastic Plug	1	
11	85090142	Socket bolt	4	
12	81400292	Gear pump	1	
13	10209034	Lock Washer $\phi 8$	2	
14	81400295	Socket bolt	2	
15	10209152	Ties	1	
16	85090167	Magnet	1	
17	81400290	Filter net	1	
18	10420152	Washer	4	
19	81400438	Hex Nut	4	
20	81400413	Motor	1	
21	81400287	Cover of Motor Terminal Box	1	
22	71111230	AMGO Nameplate	1	
23	81400560	Throttle valve	1	
24	81400266	Relief Valve	1	
25	81400284	Iron plug	1	
26	81400420	Solenoid valve coil	1	
27	81400423	Release valve(electrical)	1	
28	81400566	Check valve	1	
29	81400380	Inlet pipe	1	
30	81400376	Oil return pipe	1	
31	81400364	Clamp(stainless steel)	1	
32	81400365	O Ring	1	
33	81400263	Oil tank cap	1	
34	81400327	Oil tank	1	

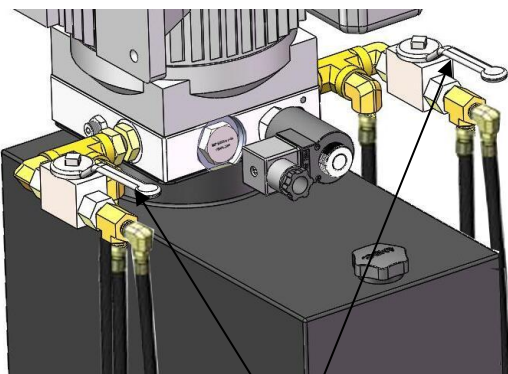
## V. TEST RUN

### 1. Preparation before Synchronous adjustment

- a. Fill the reservoir with hydraulic oil. In consideration of power unit's durability and keep the equipment running in the perfect condition, **please use Hydraulic Oil 46#.**
- b. Turn on the power after connecting oil system correctly. Press the button **Up**, and check the rotated direction of the motor (This is right if lift is upward, otherwise, it is wrong direction of the motor). Shut off power and exchange the phase connection if the direction is wrong.
- c. Lower the platforms to the lowest position.

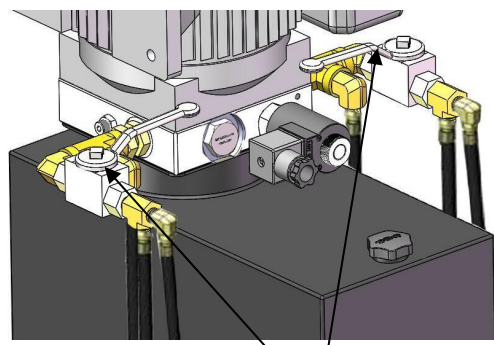
### 2. Synchronous adjustment

- a. Turn the handles of the shutoff valves to the position as **Fig. 35** (Normal working position), push **UP** button to start filling oil in the cylinder, until the machine starts to lift. at this time push **Down** and **Pass** button about 5 seconds while hearing the buzzer sound and the sounds of inside air coming out from oil tank . Repeat the above steps 2-3 times until the inside air are all come out.
- b. Tap **UP** button, until the platform just be lifted up.
- c. Turn the handle of shutoff valves to the position as **Fig.36.** push **UP** button, check If PI ,PII platform at the same time means the machine is synchronization. If still not, repeat b steps until the both side of platform are synchronization.
- d. After PI,PII platform are synchronization, operating the lift up and down.



Oil Filling Position

**Fig. 35**



Normal Working Position

**Fig. 36**

### 3. Test run

Check and adjust the limit switch, the hose and fitting connection, and do test run. The lift must be tested run and checked carefully before in use.

## VI. OPERATION INSTRUCTIONS

### To lift vehicle

1. Keep clear of site near the lift, and down the lift to the lowest position.
2. Drive vehicle on the platforms and pull the brake.
3. Turn on the power and push the button "**Up**", raise the lift to the working position.

**Note:** make sure the vehicle is steady when the lift is rising

4. Push the button "**Lock**", lock the lift in the safety device. Make sure the safety device is locked in the same height.

### To lower vehicle

1. Be sure clear of around and under the lift, only leaving operator in lift area.
2. Push the button "**Down**", the lift is lowered continually and stopped at the height 600mm from ground. Keep feet clear off lift, push button "**DOWN**" while push the **Lowering Alarm Button(K)** at the side of control cabinet, the lift is lowered to ground with alarm tone;
3. Drive away the vehicle when the lift is lowered to the lowest position.
4. Turn off the power.

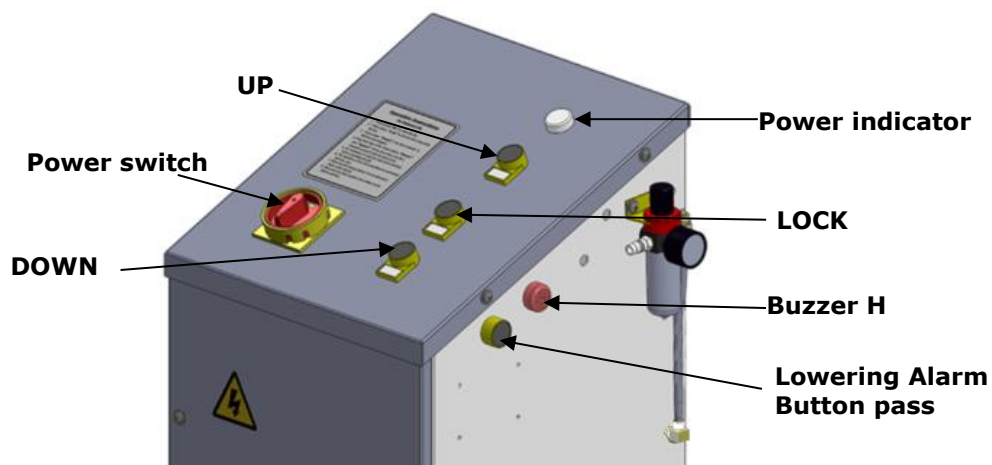


Fig. 37



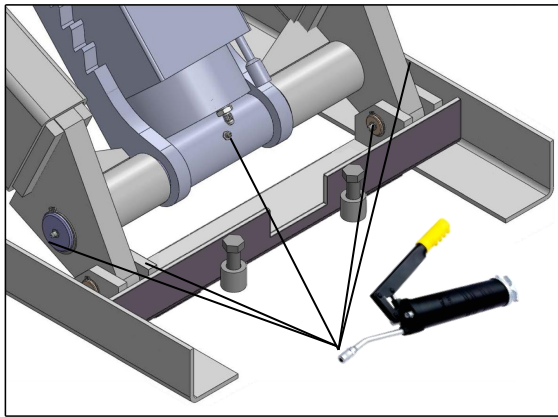
## VII. MAINTENANCE SCHEDULE

### Monthly:

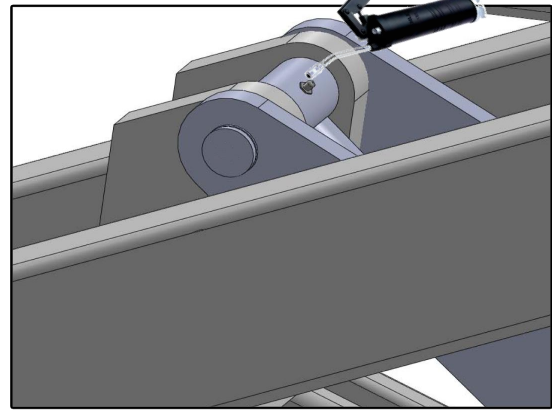
1. Re-torque the anchor bolts to 150Nm.
2. Check all fittings, bolts and pins to insure proper mounting.

**Note:** All anchor bolts should take full torque. If any of the bolts does not function for any reason, **DO NOT** use the lift until the bolt has been replaced.

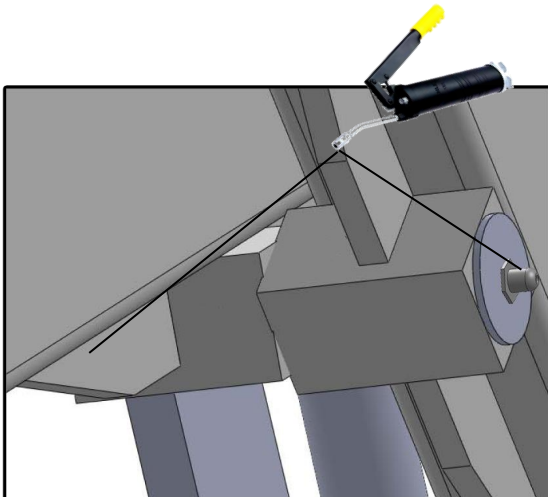
3. Make a visual inspection of all hydraulic hoses/lines for possible wear or leakage.
4. Adjusting the lifting level on both platforms.
5. Lubricate all moving parts with lubricant (**See Fig. 38-43**).



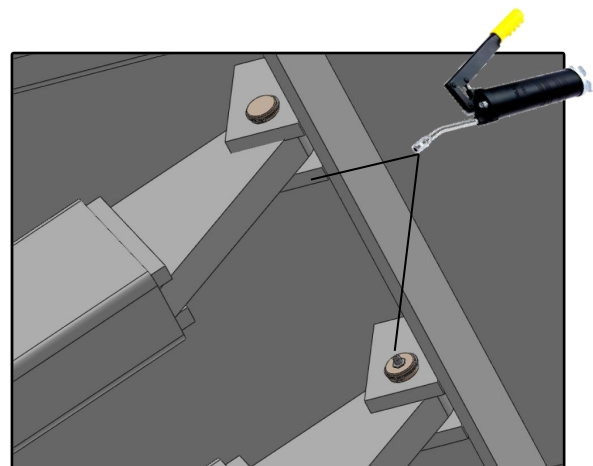
**For Main Cylinder**  
**Fig.38**



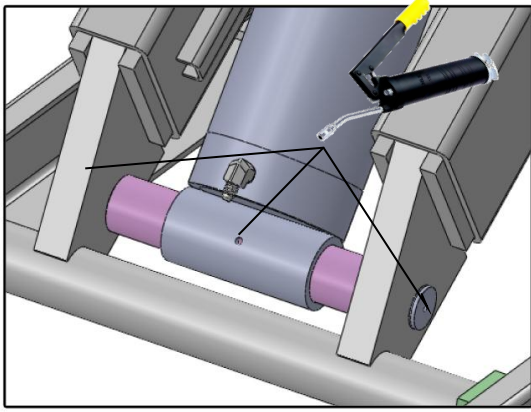
**For shaft of piston rod of Main cylinder**  
**Fig.39**



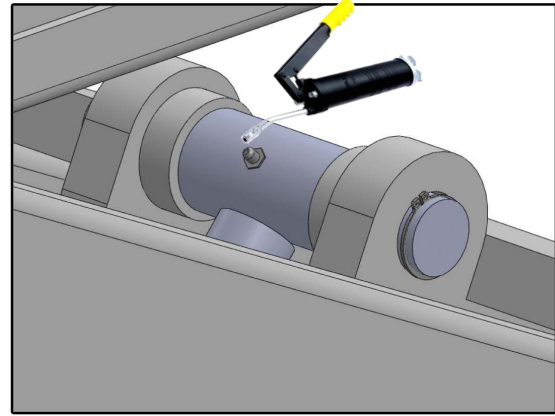
**For pins of connecting  
platforms and scissors**  
**Fig. 40**



**For pins of connecting  
platforms and scissors**  
**Fig. 41**



**For Secondly Cylinder**  
**Fig.42**



**For shaft of piston rod of**  
**Secondly cylinder**  
**Fig.43**

**Every six months:**

1. Make a visual inspection of all moving parts for possible wear, interference or damage.
2. Check and adjust the platform as necessary to insure level lifting.
3. Check all fastener and re-torque.

**Oil cylinder maintenance:**

In order to extend the service life of the oil cylinder, please operate according to the following requirements.

1. Recommend to use N46 anti-wear hydraulic oil.
2. The hydraulic oil of the lifts should be replaced regularly during using. Replace the hydraulic oil 3 months after the first installation, Replace the hydraulic oil once a year afterwards.
3. Make at least one full trip raising and lowering per day. For exhausting the air from the system, which could effectively avoid the corrosion of the cylinder and damage to the seals caused by presence of air or water in the system.
4. Protect the outer surface of the oil cylinder's piston rod from bumping and scratching, and timely clean up the debris on the oil cylinder dust-ring and the piston rod.

### VIII.TROUBLE SHOOTING

TROUBLE	CAUSE	REMEDY
Motor does not run	<ol style="list-style-type: none"> <li>1.Start Button does not work</li> <li>2.Wiring connections are not in good condition</li> <li>3. AC contactor burned out</li> <li>4. Motor burned out</li> </ol>	<ol style="list-style-type: none"> <li>1. Replace button</li> <li>2. Repair all wiring connection</li> <li>3. Replace AC contactor</li> <li>4. Repair or replace motor</li> </ol>
Motor runs but the lift is not raised	<ol style="list-style-type: none"> <li>1. Motor runs in reverse rotation</li> <li>2. Low oil level</li> <li>3. The Gear Pump out of operation</li> <li>4. Relief valve or check valve in damage</li> <li>5. Hydraulic Solenoid valve out of operation</li> </ol>	<ol style="list-style-type: none"> <li>1. Reverse two power wire</li> <li>2. Fill tank</li> <li>3. Repair or replace</li> <li>4. Repair or replace</li> <li>5. Repair or Replace</li> </ol>
Lift does not stay up	<ol style="list-style-type: none"> <li>1. Hydraulic Solenoid valve out of operation</li> <li>2. Relief valve or check valve leakage</li> <li>3. Cylinder or fittings leaks</li> </ol>	Repair or replace
Lift raised slowly	<ol style="list-style-type: none"> <li>1. Oil line is jammed</li> <li>2. Gear Pump leaks</li> <li>3. Overload lifting</li> <li>4. Power Voltage low</li> <li>5. Oil mixed with air</li> </ol>	<ol style="list-style-type: none"> <li>1. Clean the oil line</li> <li>2. Repair or Replace</li> <li>3. Check load</li> <li>4. Check electrical system</li> <li>5. Fill tank and bleeding air</li> </ol>
Lift cannot lower	<ol style="list-style-type: none"> <li>1. Hydraulic Solenoid valve out of operation</li> <li>2. Air Solenoid Valve out of operation</li> <li>3. Air cylinder in damage</li> <li>4.Low Air pressure</li> </ol>	<ol style="list-style-type: none"> <li>1. Repair or replace the Valve</li> <li>2. Repair or replace the Valve</li> <li>3. Repair or replace</li> <li>4. Check the air line</li> </ol>

### IX. LIFT DISPOSAL:

When the car lift cannot meet the requirements for normal use and needs to be disposed,



## **AMGO HYDRAULIC CORPORATION**

1931 Jo Rogers Blvd, Manning, South Carolina, USA

Tel: (803) 505-6410

Fax: (803) 505-6410

**Manual No.:** 72257403

**Revised date:** 2022/05