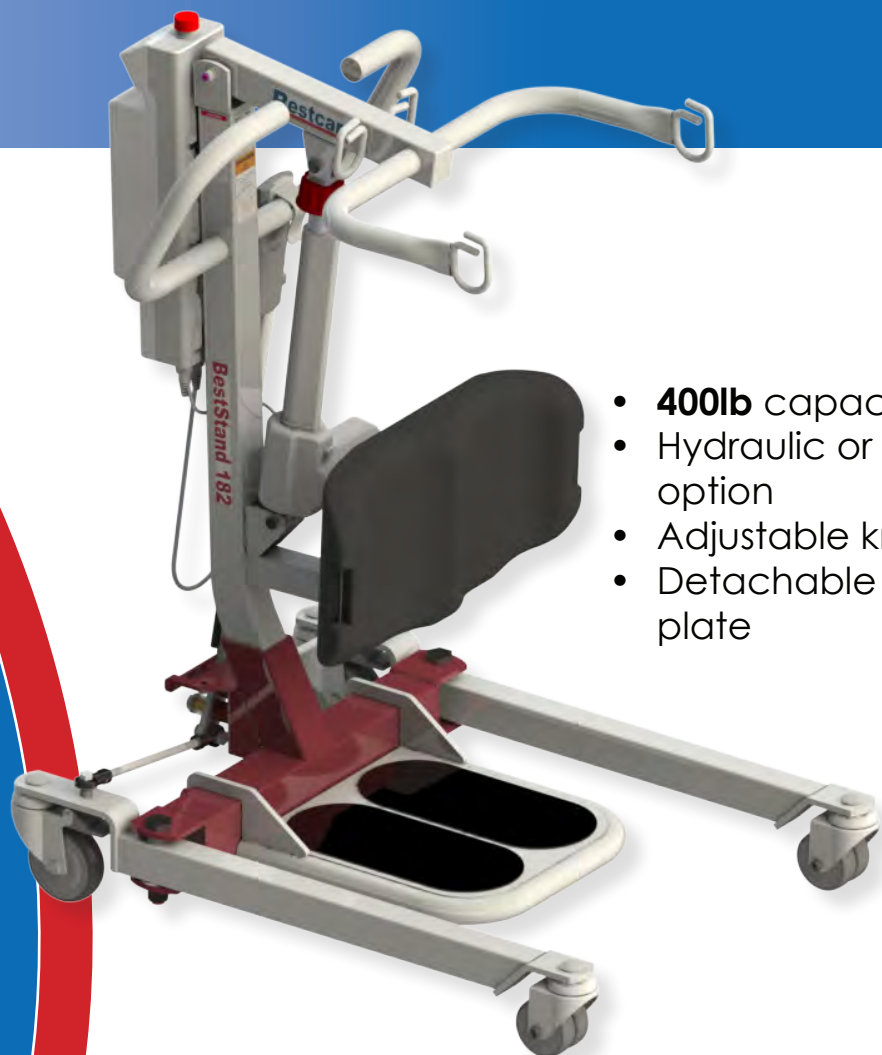


BESTSTAND™

SA182/H | SIT-TO-STAND

The Bestlift SA182/H are an affordable Care solution. They are compact and easy to maneuver. Medicare reimbursable (E0630).



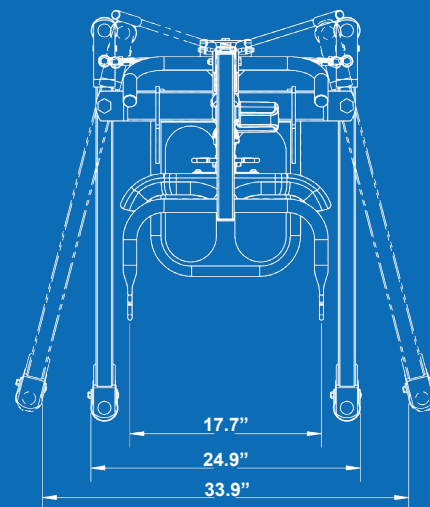
- **400lb** capacity
- Hydraulic or Electric option
- Adjustable knee pad
- Detachable foot plate

| DIMENSIONS

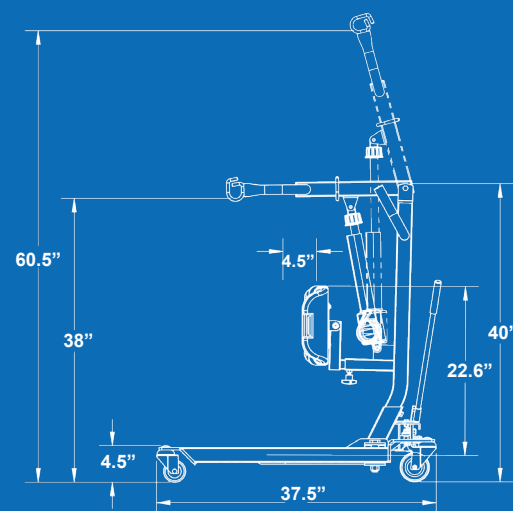
Key dimensions of SA182/H	
maximum capacity	400Lb / 182 Kg
external base width (closed)	24.9"
internal leg width (opened)	33.9"
upright mast height	40"
overall base length	37.5"
base height	4.9"
minimum lifting height with spreader bar	38"
maximum lifting height with spreader bar	60.5"
knee pad length extension range	4.5"
maximum boom width	17.7"
knee pad height extension range	22.6"
net weight	110lb / 49.9kgs
shipping weight	118lb / 53.5kgs

* SPECIFICATIONS PROVIDED ARE A GENERAL GUIDELINE AND ARE SUBJECT TO CHANGE WITHOUT NOTICE

SA182H - Hydraulic SA182 - Electric



TOP VIEW OF SA182



SIDE VIEW OF SA182