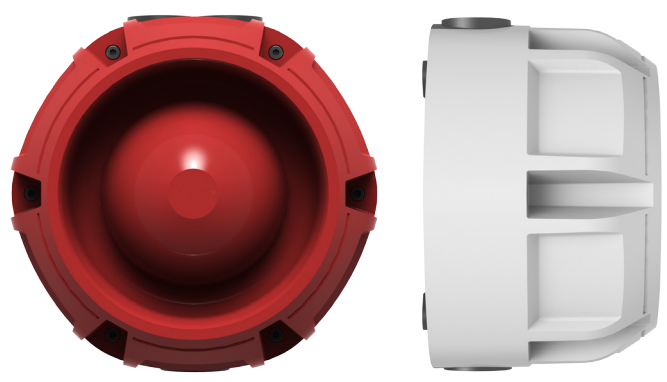


# Raptor Addressable Weatherproof Sounder (ZRAP/R & ZRAP/W)

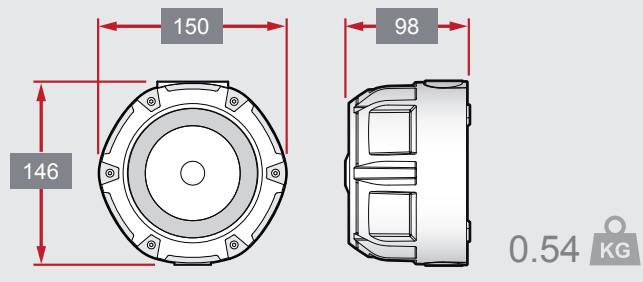


## Description

The Raptor addressable sounder is a large weatherproof horn sounder suitable for many indoor & outdoor applications.

It is available in red or white and has 16 tones selectable at the control panel. Termination of field wiring is made to the backbox for a clean first fix.

## Dimensions & Weight



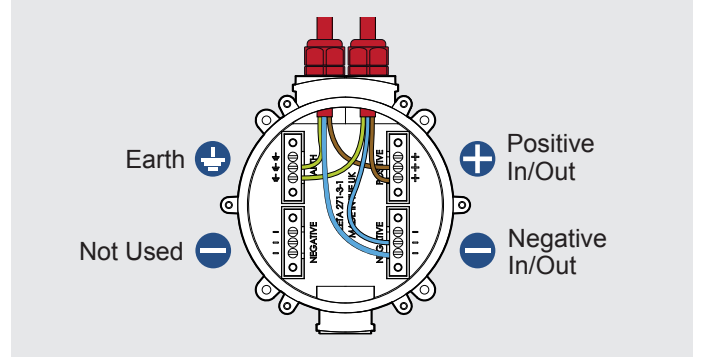
## Features

- ✓ Complies with EN54 Part 3 Type B
- ✓ Available in Red or White Plastic
- ✓ 16 Tone patterns (site selectable)\*\*
- ✓ Suitable for surface mounting only
- ✓ Housed in UL V0 flame retardant ABS
- ✓ 3 x 20mm cable entries (2 top, 1 bottom)
- ✓ First fix, wire to back box technology
- ✓ IP65 Rating

## Technical Specification

Model	ZRAP/R	ZRAP/W
Part No.	42-635	42-636
Voltage	17 - 28V DC	
Quiescent Current	1.5mA	
Alarm Current	5.4mA	
Body Colour	Red	White
Sounder Type	B	
IP Rating	IP65 (certified to IP33C)	
Operating Temperature	-25°C to 70°C	
Sound Output @ 1m	*96.9dB +/- 3dB	
Size mm	150 x 146 x 98	
Weight	540g	

## First Fix



\* This applies to TONE 0 in reverberant conditions.  
 \*\* Approved tones are Tone 0 and Tone 8.