

## IDS-7200HQHI-K1/S(B) SERIES TURBO ACUSENSE DVR

### Key Feature

- Deep learning-based motion detection 2.0 for all analog channels
- Deep learning-based perimeter protection
- H.265 Pro+/H.265 Pro/H.265/H.264+/H.264 video compression
- HDTV/AVHD/CVI/CVBS/IP video inputs
- Audio via coaxial cable
- Up to 6/12/24-ch IP camera inputs (up to 6 MP)
- Up to 10 TB capacity per HDD



### Compression and Recording

- H.265 Pro+ video compression improves encoding efficiency, and reduces data storage costs
- Full channel recording at up to 1080p resolution

### Storage and Playback

- Smart search for efficient playback
- Support the third party cloud storage

### Smart Function

- Deep learning-based motion detection, perimeter protection (line crossing and intrusion detection), or facial detection
- Support multiple VCA (Video Content Analytics) events for both analog and smart IP cameras

### Network & Ethernet Access

- Compatible with major Wi-Fi dongle products in the market
- Hik-Connect & DDNS (Dynamic Domain Name System) for easy network management
- Output bandwidth limit configurable



## Specification

Model	iDS-7204HQHI-K1/2S(B)	iDS-7208HQHI-K1/4S(B)	iDS-7216HQHI-K1/4S(B)
<b>Motion Detection 2.0<sup>1</sup></b>			
<b>Human/Vehicle Analysis</b>	Deep learning-based motion detection 2.0 is enabled by default for all analog channels, it can classify human and vehicle, and extremely reduce false alarms caused by objects like leaves and lights; Quick search by object or event type is supported;		
<b>Perimeter Protection<sup>1</sup></b>			
<b>Human/Vehicle Analysis</b>	Up to 2-ch	Up to 4-ch	
<b>Facial Detection<sup>1</sup></b>			
<b>Facial detection and capture</b>	1-ch human face capture (HD analog camera)		
<b>Recording</b>			
<b>Video compression</b>	H.265 Pro+/H.265 Pro/H.265/H.264+/H.264		
<b>Encoding resolution</b>	Main stream: When 1080p lite mode not enabled: For 4 MP stream access: 4 MP lite@15 fps; 1080p lite/720p/WD1/4CIF/VGA/CIF@25 fps (P)/30 fps (N) For 3 MP stream access: 3 MP/1080p/720p/VGA/WD1/4CIF/CIF@15fps For 1080p stream access: 1080p/720p@15 fps; VGA/WD1/4CIF/CIF@25 fps (P)/30 fps (N) For 720p stream access: 720p/VGA/WD1/4CIF/CIF@25 fps (P)/30 fps (N) When 1080p Lite mode enabled: 4 MP lite/3 MP@15 fps; 1080p lite/720p lite/VGA/WD1/4CIF/CIF@25 fps (P)/30 fps (N) Sub-stream: WD1/4CIF@12 fps; CIF@25 fps (P)/30 fps (N)		
<b>Video bitrate</b>	32 Kbps to 6 Mbps		
<b>Dual stream</b>	Support		
<b>Stream type</b>	Video, Video & Audio		
<b>Audio compression</b>	G.711u		
<b>Audio bitrate</b>	64 Kbps		
<b>Video and Audio</b>			
<b>IP video input<sup>2</sup></b>	1-ch (up to 5-ch)	2-ch (up to 10-ch)	2-ch (up to 18-ch)
	Enhanced IP mode on: 2-ch (up to 6-ch), each up to 4 Mbps	Enhanced IP mode on: 4-ch (up to 12-ch), each up to 4 Mbps	Enhanced IP mode on: 8-ch (up to 24-ch), each up to 4 Mbps
	Up to 6 MP resolution		
Support H.265+/H.265/H.264+/H.264 IP cameras			
<b>Analog video input</b>	4-ch	8-ch	16-ch
	BNC interface (1.0 Vp-p, 75 Ω), supporting coaxitron connection		
<b>HDTVI input</b>	4 MP, 3 MP, 1080p@30 fps, 1080p@25 fps, 720p@60 fps, 720p@50 fps, 720p@30 fps, 720p@25 fps <b>*: The 3 MP signal input is only available for channel 1 of iDS-7204HQHI-K1/2S(B), for channel 1/2 of iDS-7208HQHI-K1/4S(B), and for channel 1/2/3/4 of iDS-7216HQHI-K1/4S(B).</b>		

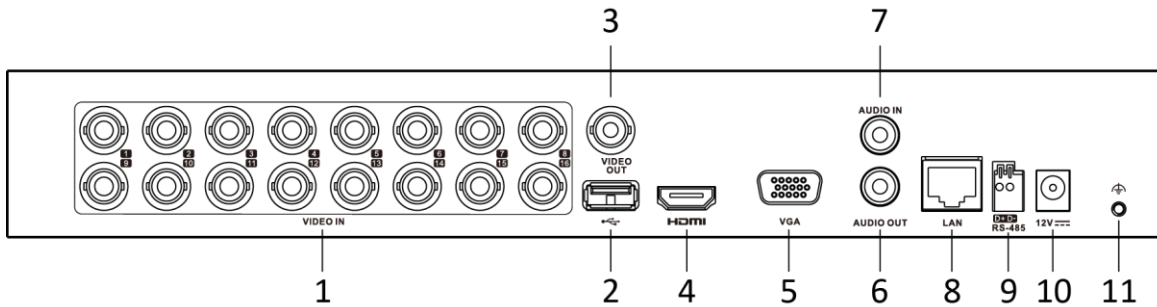
<b>AHD input</b>	4 MP, 1080p@25 fps, 1080p@30 fps, 720p@25 fps, 720p@30 fps		
<b>HDCVI input</b>	4 MP, 1080p@25 fps, 1080p@30 fps, 720p@25 fps, 720p@30 fps		
<b>CVBS input</b>	PAL/NTSC		
<b>CVBS output</b>	1-ch, BNC (1.0 Vp-p, 75 Ω), resolution: PAL: 704 × 576, NTSC: 704 × 480		
<b>HDMI/VGA output</b>	1-ch, 1920 × 1080/60Hz, 1280 × 1024/60Hz, 1280 × 720/60Hz, 1024 × 768/60Hz, HDMI/VGA simultaneous output		
<b>Audio input</b>	1-ch, RCA (2.0 Vp-p, 1 KΩ)		
	4-ch via coaxial cable	8-ch via coaxial cable	16-ch via coaxial cable
<b>Audio output</b>	1-ch, RCA (Linear, 1 KΩ)		
<b>Two-way audio</b>	1-ch, RCA (2.0 Vp-p, 1 KΩ) (using the first audio input)		
<b>Synchronous playback</b>	4-ch	8-ch	16-ch
<b>Network</b>			
<b>Remote connection</b>	32	64	128
<b>Network protocol</b>	TCP/IP, PPPoE, DHCP, Hik-Connect, DNS, DDNS, NTP, SADP, NFS, iSCSI, UPnP™, HTTPS, ONVIF		
<b>Network interface</b>	1, RJ45 10/100 Mbps self-adaptive Ethernet interface		1, RJ45 10/100/1000 Mbps self-adaptive Ethernet interface
<b>Wi-Fi</b>	Connectable to Wi-Fi network by Wi-Fi dongle through USB interface		
<b>Auxiliary interface</b>			
<b>SATA</b>	1 SATA interface, up to 10 TB capacity for each disk		
<b>Serial interface</b>	RS-485 (half-duplex)		
<b>USB interface</b>	2 × USB 2.0		
<b>Alarm in/out</b>	N/A		
<b>General</b>			
<b>Power supply</b>	12 VDC, 1.5 A		12 VDC, 2 A
<b>Consumption (without HDD)</b>	≤ 18 W		≤ 24 W
<b>Working temperature</b>	-10 °C to 55 °C (14 °F to 131 °F)		
<b>Working humidity</b>	10% to 90%		
<b>Dimension (W × D × H)</b>	315 × 242 × 45 mm (12.4 × 9.5 × 1.8 inch)		
<b>Weight (without HDD)</b>	≤ 1.16 kg (2.6 lb)	≤ 1.78 kg (3.9 lb)	≤ 2 kg (4.4 lb)

**Note:**

1: Motion detection 2.0, perimeter protection and facial detection cannot be enabled at the same time. Enable one function will make the other two unavailable.

2: Enhanced IP mode might be conflicted with smart events (face picture comparison, motion detection 2.0 and perimeter protection) or other functions, please refer to the user manual for details.

## Physical Interface



\*: The rear panel of iDS-7204HQHI-K1/2S(B) provides 4 video input interfaces. The rear panel of iDS-7208HQHI-K1/4S(B) provides 8 video input interfaces.

No.	Description	No.	Description
1	VIDEO IN	7	AUDIO IN, RCA connector
2	USB interface	8	LAN network interface
3	VIDEO OUT	9	RS-485 serial interface
4	HDMI interface	10	12 VDC power input
5	VGA interface	11	GND
6	AUDIO OUT, RCA connector		

## Available Model

iDS-7204HQHI-K1/2S(B), iDS-7208HQHI-K1/4S(B), iDS-7216HQHI-K1/4S(B)

Distributed by



## HIKVISION

### Headquarters

No.555 Qianmo Road, Binjiang District,  
Hangzhou 310051, China  
T +86-571-8807-5998  
overseasbusiness@hikvision.com

**Hikvision USA**  
T +1-909-895-0400  
sales.usa@hikvision.com

**Hikvision Australia**  
T +61-2-8599-4233  
salesau@hikvision.com

**Hikvision India**  
T +91-22-28469900  
sales@pramahikvision.com

**Hikvision Canada**  
T +1-866-200-6690  
sales.canada@hikvision.com

**Hikvision Thailand**  
T +662-275-9949  
sales.thailand@hikvision.com

**Hikvision Europe**  
T +31-23-5542770  
sales.eu@hikvision.com

**Hikvision Italy**  
T +39-0438-6902  
info.it@hikvision.com

**Hikvision Brazil**  
T +55 11 3318-0050  
Latam.support@hikvision.com

**Hikvision Turkey**  
T +90 (216)521 7070- 7074  
sales.tr@hikvision.com

**Hikvision Malaysia**  
T +601-7652-2413  
sales.my@hikvision.com

**Hikvision UK & Ireland**  
T +01628-902140  
sales.uk@hikvision.com

**Hikvision South Africa**  
Tel: +27 (10) 0351172  
sale.africa@hikvision.com

**Hikvision France**  
T +33(0)1-85-330-450  
info.fr@hikvision.com

**Hikvision Kazakhstan**  
T +7-727-9730667  
nikia.panfilov@hikvision.ru

**Hikvision Vietnam**  
T +84-974270888  
sales.vt@hikvision.com

**Hikvision UAE**  
T +971-4-4432090  
salesme@hikvision.com

**Hikvision Singapore**  
T +65-6684-4718  
sg@hikvision.com

**Hikvision Spain**  
T +34-91-737-16-55  
info.es@hikvision.com

**Hikvision Tashkent**  
T +99-87-1238-9438  
uzb@hikvision.ru

**Hikvision Hong Kong**  
T +852-2151-1761  
info.hk@hikvision.com

**Hikvision Russia**  
T +7-495-669-67-99  
saleru@hikvision.com

**Hikvision Korea**  
T +82-(0)31-731-8817  
sales.korea@hikvision.com

**Hikvision Poland**  
T +48-22-460-01-50  
info.pl@hikvision.com

**Hikvision Indonesia**  
T +62-21-2933759  
Sales.Indonesia@hikvision.com

**Hikvision Colombia**  
sales.colombia@hikvision.com

04260002010224