



(12) **United States Design Patent**
Morrison

(10) **Patent No.:** **US D767,043 S**
(45) **Date of Patent:** **** Sep. 20, 2016**

- (54) **QUADCOPTER**
- (71) Applicant: **Robert Morrison**, Walworth, NY (US)
- (72) Inventor: **Robert Morrison**, Walworth, NY (US)

(**) Term: **14 Years**
(21) Appl. No.: **29/524,042**
(22) Filed: **Apr. 16, 2015**

(51) **LOC (10) CI.** **21-01**
(52) **U.S. Cl.**
USPC **D21/441**; D12/16.1
(58) **Field of Classification Search**
USPC D12/16.1, 319, 325, 326, 327, 328, 329,
D12/330, 333, 344, 345; D21/301, 437,
D21/441, 443, 446, 447, 448, 453, 454, 461
CPC B64C 2201/146; B64C 2201/141;
B64C 2201/126; B64C 2201/021; B64C
29/00

See application file for complete search history.

(56) **References Cited**

U.S. PATENT DOCUMENTS

D189,462	S	*	12/1960	Vogt	D12/329
D648,809	S	*	11/2011	Seydoux	D21/441
D659,771	S	*	5/2012	Seydoux	D21/441
D741,751	S	*	10/2015	Klaptocz	D12/16.1
9,158,304	B2	*	10/2015	Fleck	G05D 1/0011
2012/0241555	A1	*	9/2012	Savoye	A63H 27/12 244/54
2015/0057844	A1	*	2/2015	Callou	G05D 1/0204 701/3
2015/0148988	A1	*	5/2015	Fleck	G05D 1/0011 701/2
2015/0149000	A1	*	5/2015	Rischmuller	B64C 39/024 701/7
2015/0331427	A1	*	11/2015	Chaudary	G05D 1/0816 244/17.13

OTHER PUBLICATIONS

Zhanko. found online [Jan. 2, 2016]. <https://www.google.com/search?q=unmanned+aerial+vehicle&biw=1680&bih=843&>

source=Inms&tbn=isch&sa=X&ved=0ahUKEwjz55zw64vKAhVX4WMKHfDXD-MQ_AUIBygC#tbn=isch&q=unmanned+aerial+toy&imgcr=Q_0ee9ANMAG8jM%3A.*
Bumper by hubsan dated 2001-2016. found online [Jan. 2, 2016]<http://www.everychina.com/m-rc-propel-quadcopter>.*
<http://n3.sdcdn.com/imgs/a/2/m/Stylezit-Space-Trek-Quadcopter-UFO-SDL905767934-1-801ba.jpg>.
<http://p.globalsources.com/IMAGES/PDT/S1133665976/Mini-remote-controlled-toy-drone.jpg>.
http://cdn.shopify.com/s/files/1/0898/9126/products/91_53f68792-aa04-4f2d-bf75-e8427788338e.jpg?v=1453125301.
<http://g02.A.alicdn.com/kf/HTB15MSLLXXXXXXXXqXXXXq6xXFXXXo/Rc105-2-4G-4CH-drone-w-6-axis-Rc-Drone-Quadcopter-Headless-Mode-Auto-Return-rc.jpg>.
US Trademark Registration No. 86546514; Mark—Axis Drones.

* cited by examiner

Primary Examiner — Robert M Spear
Assistant Examiner — Marissa J Cash
(74) *Attorney, Agent, or Firm* — Raj Abhyanker, P.C.

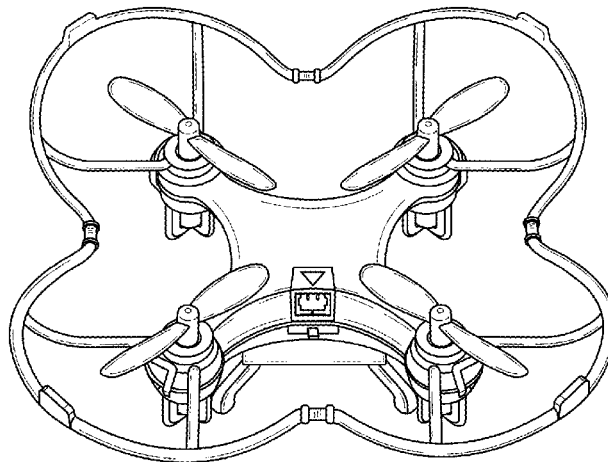
(57) **CLAIM**

The ornamental design for a quadcopter, as shown and described.

DESCRIPTION

FIG. 1 is a rear perspective view of a quadcopter showing my new design;
FIG. 2 is a front view thereof;
FIG. 3 is a rear view thereof;
FIG. 4 is a left view thereof;
FIG. 5 is a right view thereof;
FIG. 6 is a top view thereof; and,
FIG. 7 is a bottom view thereof.
The broken lines depict unclaimed portions of the quadcopter that form no part of the claimed design.

1 Claim, 4 Drawing Sheets



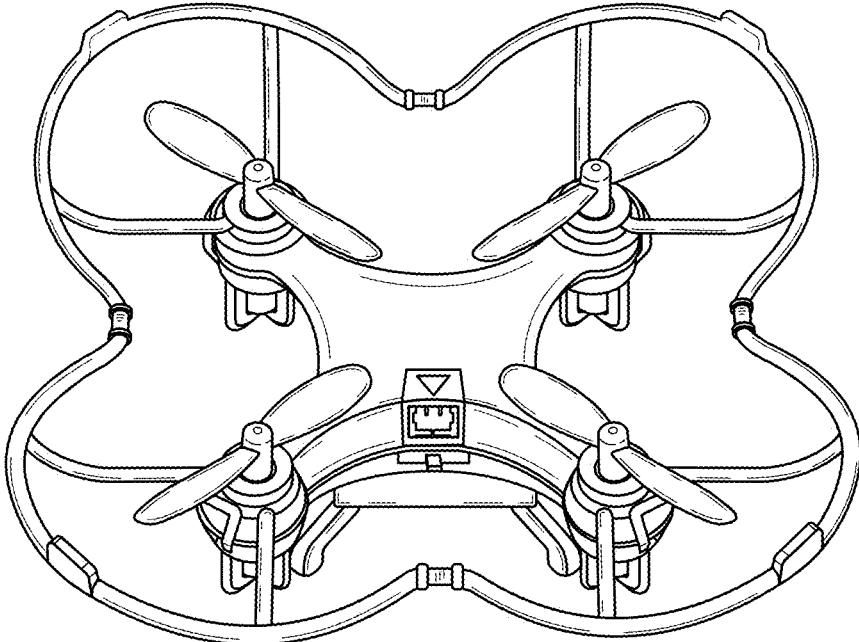


FIG. 1

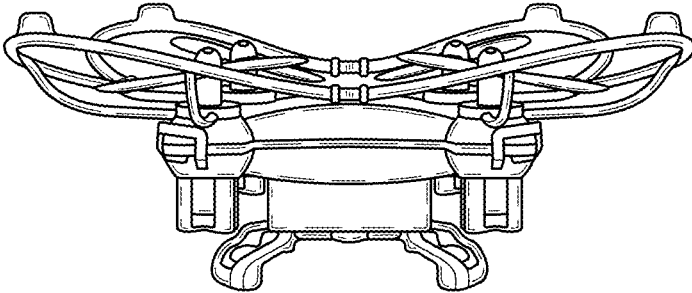


FIG. 2

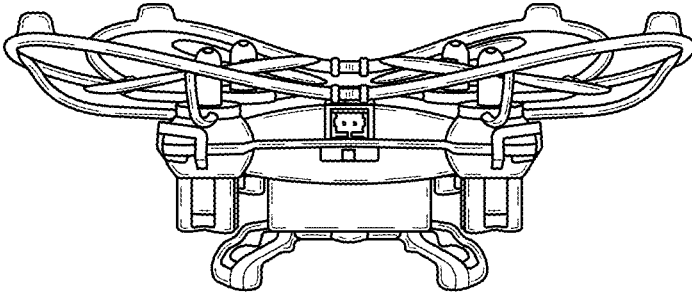


FIG. 3

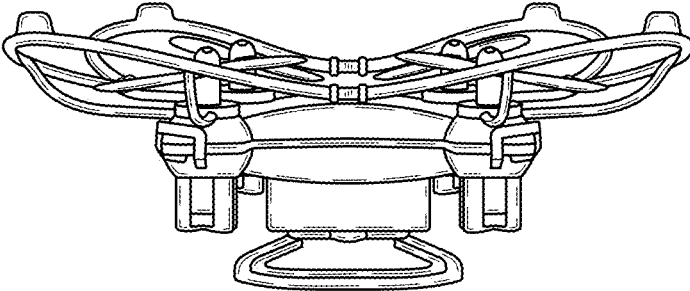


FIG. 4

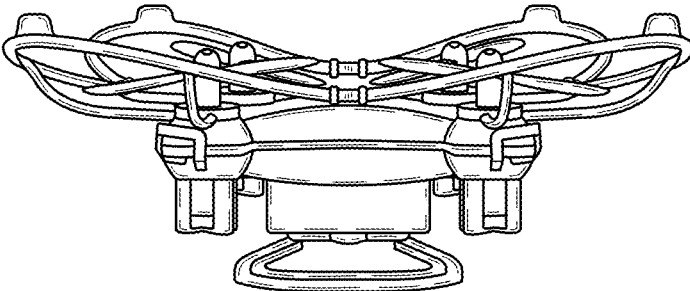


FIG. 5

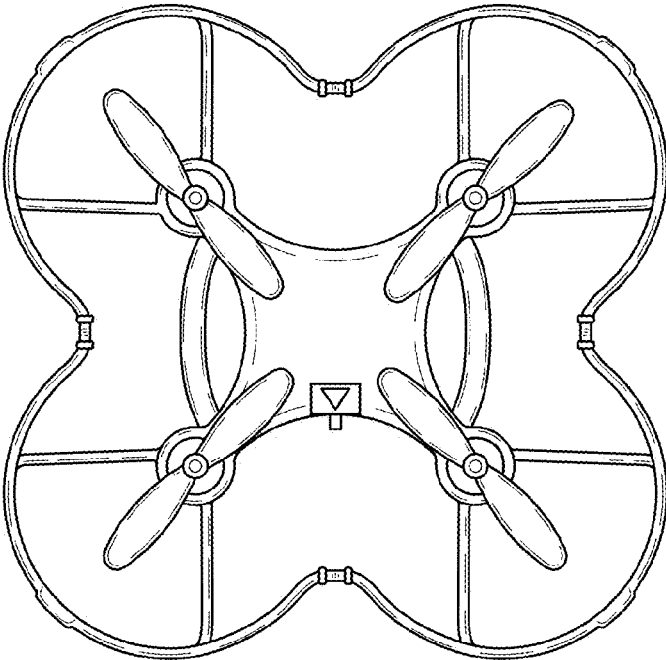


FIG. 6

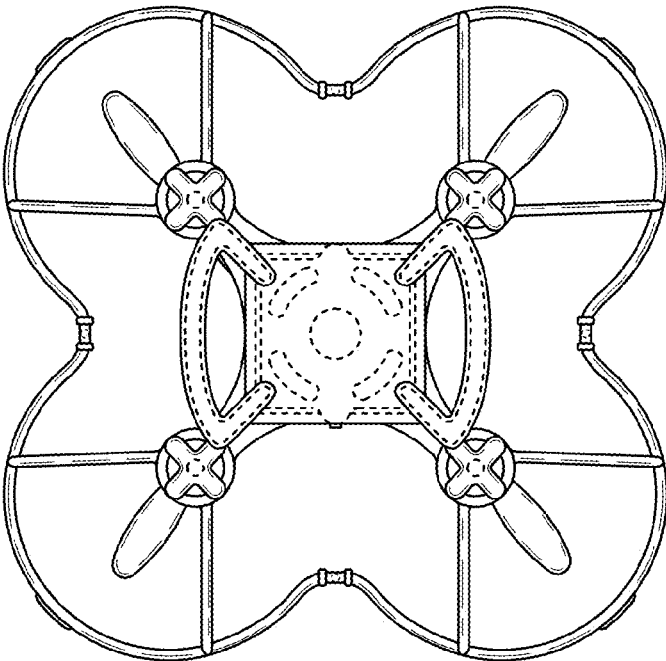


FIG. 7