

## RACK PROTECTORS

Handle-It® Rack Protectors protect uprights from powered and non-powered material handling equipment impacts. They are an inexpensive, yet effective tool to help avoid dangerous and costly racking damage. Rack protectors will extend the life of your racking system, as well as increase safety for your workers.

### Features & Benefits

- Available in Heavy and Standard Duty to suit your needs and budget.
- Work with both standard and seismic baseplates
- Steel floor angles attach securely to floor with 4 or 5 wedge anchors depending on length (sold separately)
- Powder coated Handle-It yellow for high visibility
- Custom sizes available upon request

### Specifications

• Item Numbers:

Heavy-Duty —•RP-42LH-HD •RP-42RH-HD •RP-42-HD

•RP-48LH-HD •RP-48RH-HD •RP-48-HD

Standard-Duty —•RP-42LH-MD •RP-42RH-MD •RP-42-MD

•RP-48LH-MD •RP-48RH-MD •RP-48-MD

• Material Thickness:

•  $\frac{3}{8}$ " (heavy-duty)

•  $\frac{1}{4}$ " (standard-duty)

• Standard Height: 12" tall ends; 6" x 4" floor angle

• Inside Width: 3.25"

• Anchor Size:  $\frac{3}{4}$ " x 4.25" wedge anchor



Left Hand Rack Protector



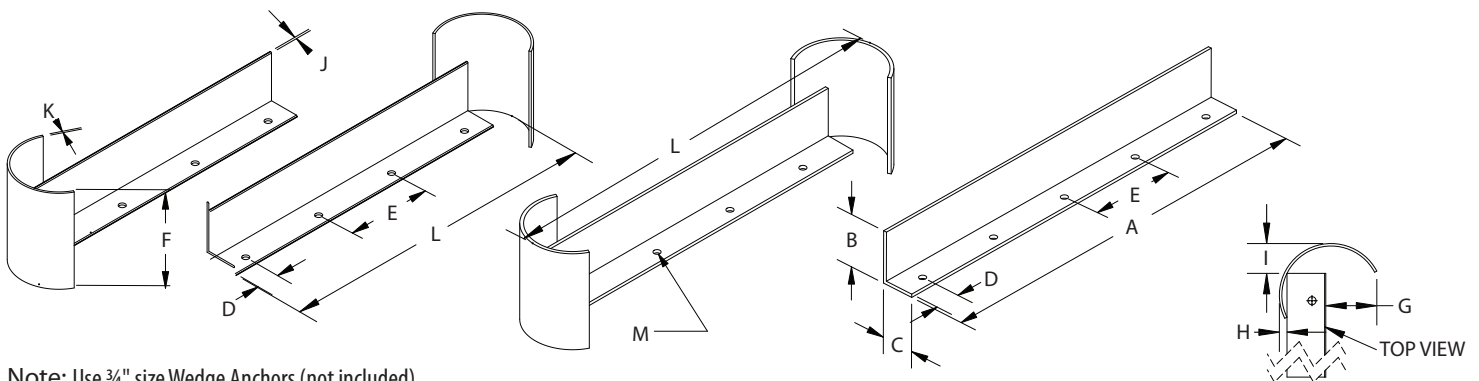
Right Hand Rack Protector



Double-End Rack Protector for  
Single Rows



## RACK PROTECTOR DIMENSIONS



Note: Use 3/4" size Wedge Anchors (not included)

Dimensions (Inches)

Part	A	B	C	D	E	F	G	H	I	J	K	L	M		
	Length of Extension	Height of Leg	Width of Leg	End to Hole	Hole to Hole	Height of Curve	Extension to Back of Curve	Extension to Front of Curve	Extension to Curve side	Extension Thickness	Curve Thickness	Outside Overall Length	Hole Diameter	Number of Holes	Curve Location
RP-42LH-MD	43	6.5	4	5.8	10.5	12	4.5	1	3	0.25	0.25	46	0.85	4	Left
RP-42RH-MD	43	6.5	4	5.8	10.5	12	4.5	1	3	0.25	0.25	46	0.85	4	Right
RP-48LH-MD	47.5	6.5	4	2.8	10.5	12	4.5	1	3	0.25	0.25	50.5	0.85	5	Left
RP-48RH-MD	47.5	6.5	4	2.8	10.5	12	4.5	1	3	0.25	0.25	50.5	0.85	5	Right
RP-42LH-HD	43	6.5	4	5.8	10.5	12	5	1	3	0.4	0.4	46	0.85	4	Left
RP-42RH-HD	43	6.5	4	5.8	10.5	12	5	1	3	0.4	0.4	46	0.85	4	Right
RP-42EX-MD	43	6.5	4	5.8	10.5	N/A	N/A	N/A	N/A	0.4	N/A	43	0.85	4	No Curve
RP-48LH-HD	47.5	6.5	4	2.8	10.5	12	5	1	3	0.4	0.4	50.5	0.85	5	Left
RP-48RH-HD	47.5	6.5	4	2.8	10.5	12	5	1	3	0.4	0.4	50.5	0.85	5	Right
RP-48EX-HD	47.5	6.5	4	2.8	10.5	N/A	N/A	N/A	N/A	0.4	N/A	47.5	0.85	5	No Curve
RP-60EX-HD	62	6.5	4	4.8	10.5	N/A	N/A	N/A	N/A	0.4	N/A	60	0.85	6	No Curve
RP-60EX-MD	62	6.5	4	4.8	10.5	N/A	N/A	N/A	N/A	0.25	N/A	60	0.85	6	No Curve
RP-42-HD	43	6.5	4	5.8	10.5	12	5	1	3	0.4	0.4	49	0.85	4	Both Sides
RP-48-HD	47.5	6.5	4	2.8	10.5	12	5	1	3	0.4	0.4	53.5	0.85	5	Both Sides
RP-42-MD	43	6.5	4	5.8	10.5	12	5	1	3	0.25	0.25	49	0.85	4	Both Sides
RP-48-MD	47.5	6.5	4	2.8	10.5	12	5	1	3	0.25	0.25	53.5	0.85	5	Both Sides

\*Custom sizes available - production lead times will apply. Please contact for a quote.

### Rack Protector Equipment Specification

To ensure proper protection consider the following:

- Measure the overall length of area that is to be protected.
- Is there a protruding object or other unusual configuration to measure? (i.e. going around corners)
- Is this a single or double end application? (Exposure to traffic is the key factor)
- Place protection equipment as close as possible in front of the area in need of protection while still providing an adequate barrier space to achieve proper installation.