

L A U R A H A M M E T T
L I V I N G



SPENCER WALL LIGHT

Modern Heritage Lighting Collection

SPENCER WALL LIGHT

Modern Heritage Lighting Collection

Range Description

The collection of Laura Hammett Living wall lights exemplifies fine attention to detail, with graceful curves, reeded detailing and stunning antique brass fixings delivering an unparalleled ambiance to elevate any space.

Product Description

Bringing a stylish elegance to traditional lighting, the Spencer Wall Light features tapered, pure silk shades with frosted perspex diffusers, supported by slim, fluted antique brass arms and a simple yet striking fixing plate. Creating a warm and inviting glow, the wall light adds a classic touch for transitional appeal. As our shades are made from pure silk they may exhibit subtle variations and naturally occurring slubs, adding to their unique charm and heritage character.

Dimensions

(Double Arm)

Height	400 mm
Width	360 mm
Projection	200 mm

Materials & construction

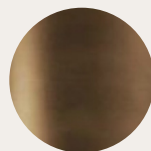
Antique Brass, Silk Shade, Frosted Perspex

Care instructions

Wipe clean with a soft, dry cloth. Avoid harsh chemicals as they may damage the finish.



Finishes



Antique Brass
Frame



Silk
Shade



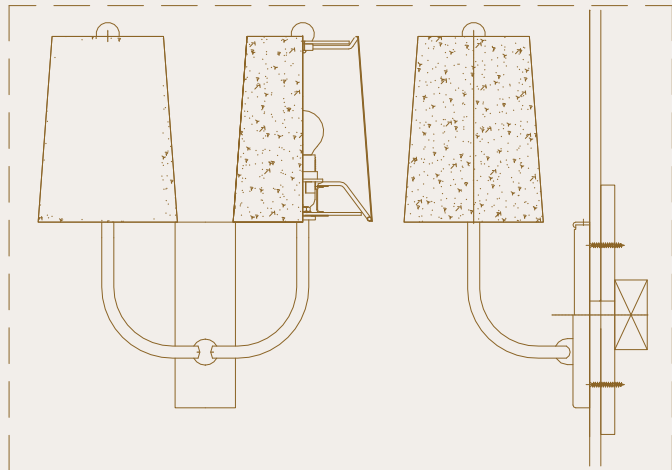
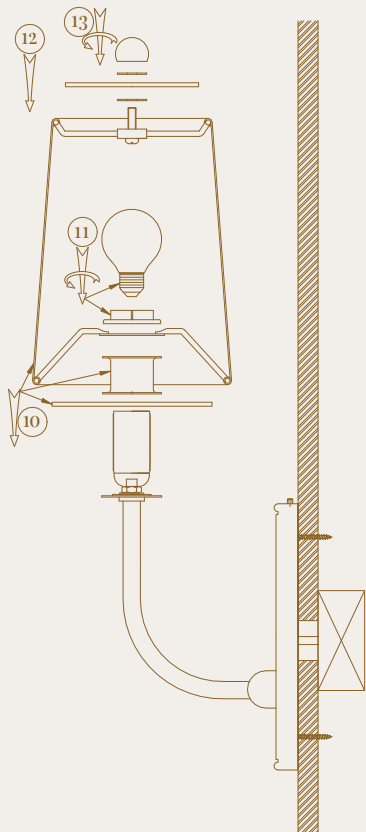
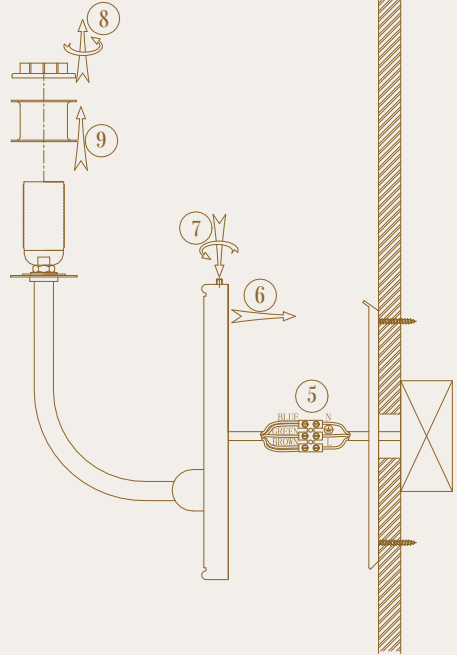
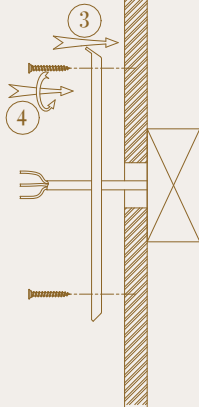
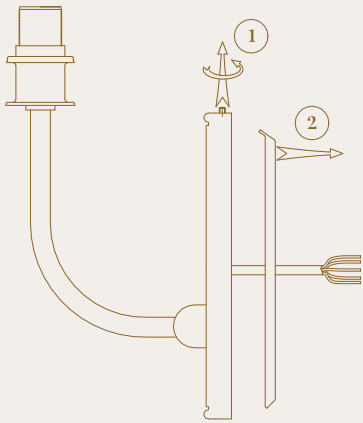
Frosted Perspex
Diffuser

SPENCER WALL LIGHT

Modern Heritage Lighting Collection



LIGHTING INSTALLATION GUIDE







Laura Hammett Living is a luxury homeware brand founded by Laura Hammett, Creative Director of the eponymous London-based interior, architecture and design studio, founded in 2008. Emerging from over 20 years of interior design expertise and a lifelong passion for creating beautiful homes, Laura Hammett Living was officially launched in 2023 and offers a carefully crafted range of custom-made furniture, lighting, case goods and accessories, each embodying Laura's refined aesthetic.

Both the Contemporary & Modern Heritage collections are a testament to Laura's passion fusing timeless design with heritage quality. Every item in the collection is thoughtfully designed by Laura and exemplifies her exceptional eye for detail, enduring quality and commitment to craftsmanship and timeless design.



www.laurahammettliving.com
hello@laurahammettliving.com