

PRINSU ROOF RACK INSTALLATION GUIDE

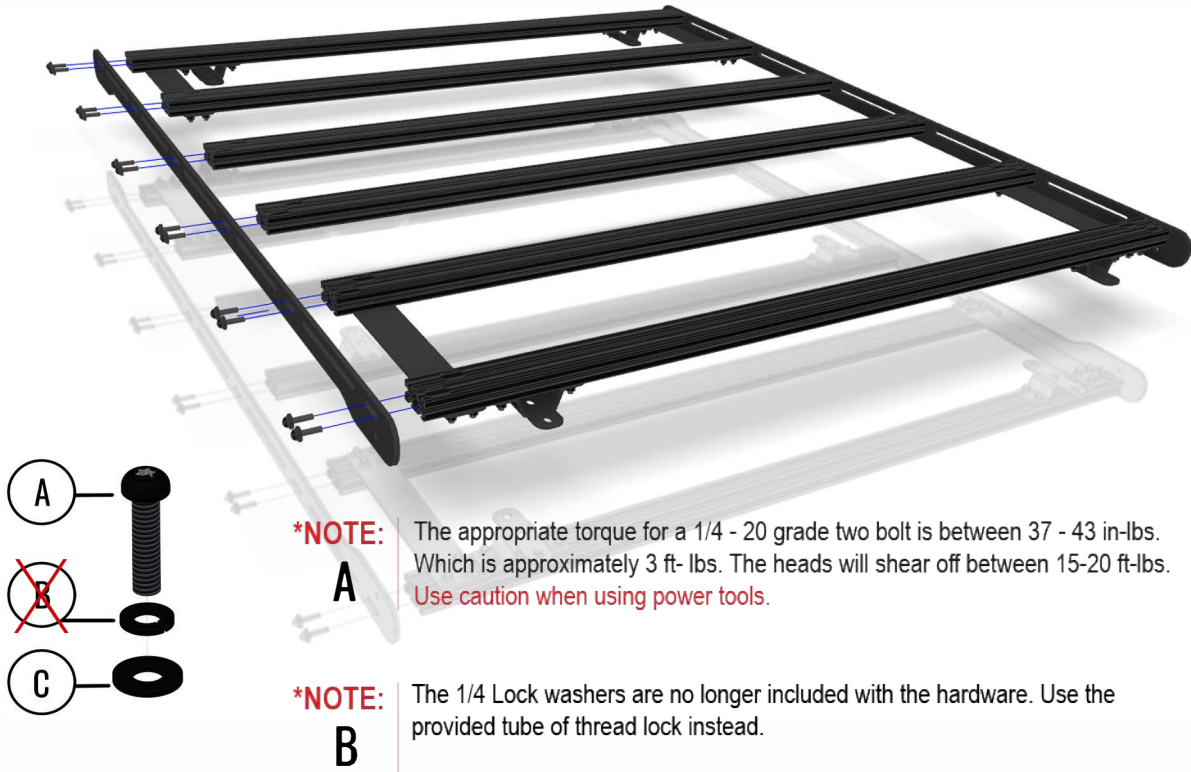


UNIVERSAL 5' TOP RACK

All products built and designed by Prinsu Design Studio are intended for off-road use and should be assembled, installed, and used according to Prinsu Design Studio's recommendations. Prinsu Design Studio products should be used safely with good judgment towards others and the environment. By installing Prinsu Design Studio Products on your vehicle you assume all liability. Prinsu Design Studio will not be held liable for damages or loss associated with the installation or use of its products. Be smart, use good judgement, don't overload your vehicle to the point of inferior handling and maneuverability!

PRINSU ROOF RACK INSTALLATION GUIDE

CROSSBAR HARDWARE DIAGRAM



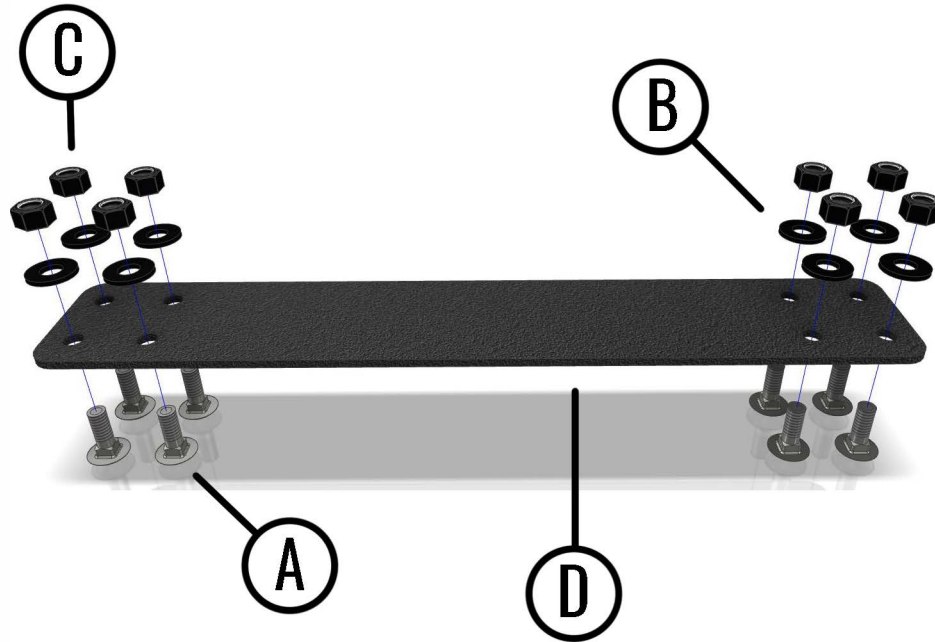
5' TOP RACK CROSSBAR HARDWARE LIST

PART	DESCRIPTION	QUANTITY
A	1/4" - 20 x 1" MACHINE SCREW	24
B	1/4" LOCK WASHER	24
C	1/4" FLAT WASHER	24

All products built and designed by Prinsu Design Studio are intended for off-road use and should be assembled, installed, and used according to Prinsu Design Studio's recommendations. Prinsu Design Studio products should be used safely with good judgment towards others and the environment. By installing Prinsu Design Studio Products on your vehicle you assume all liability. Prinsu Design Studio will not be held liable for damages or loss associated with the installation or use of its products. Be smart, use good judgement, don't overload your vehicle to the point of inferior handling and maneuverability!

PRINSU ROOF RACK INSTALLATION GUIDE

STIFFENER BRACE HARDWARE DIAGRAM



PART	DESCRIPTION	QUANTITY
A	1/4" - 20 X 3/4" CARRIAGE BOLT	32
B	1/4" FLAT WASHER	32
C	1/4" NYLON LOCK NUT	32
D	STIFFENER BRACKETS	4

All products built and designed by Prinsu Design Studio are intended for off-road use and should be assembled, installed, and used according to Prinsu Design Studio's recommendations. Prinsu Design Studio products should be used safely with good judgment towards others and the environment. By installing Prinsu Design Studio Products on your vehicle you assume all liability. Prinsu Design Studio will not be held liable for damages or loss associated with the installation or use of its products. Be smart, use good judgement, don't overload your vehicle to the point of inferior handling and maneuverability!


TOP RACK INSTALLATION GUIDE

STEP 1: IDENTIFY SIZE OF RACK AND # OF MOUNTING FEET

DESCRIPTION:

- THE 5' TOP RACK WILL RECEIVE 4 MOUNTING FEET
- ON SHELLS WHERE THE TRACKS CENTER TO CENTER DISTANCE IS WITHIN 4.6" OF THE CROSS BAR LENGTH (I.E. OVER 42.4" APART FOR A 47" RACK) THE SPECIALITY SHORTENED MOUNTING FEET WILL BE NEEDED

STANDARD MOUNT
SHORTENED MOUNT



STEP 2: IDENTIFY PLACEMENT OF MOUNTING FEET

DESCRIPTION:

- THE MOUNTING FEET CAN BE ATTACHED TO BOTH THE FAR FRONT AND FAR REAR CROSS BARS; OR OFFSET IN ONE CROSS BAR ON EACH END DEPENDING ON THE LENGTH OF YOUR TRACKS AND HOW YOU PLAN TO LOAD THE RACK
- FOR ESPECIALLY HEAVY LOADING SCENARIOS ADDITIONAL MOUNTING FEET CAN BE PURCHASED TO MORE EVENLY DISTRIBUTE THE LOAD



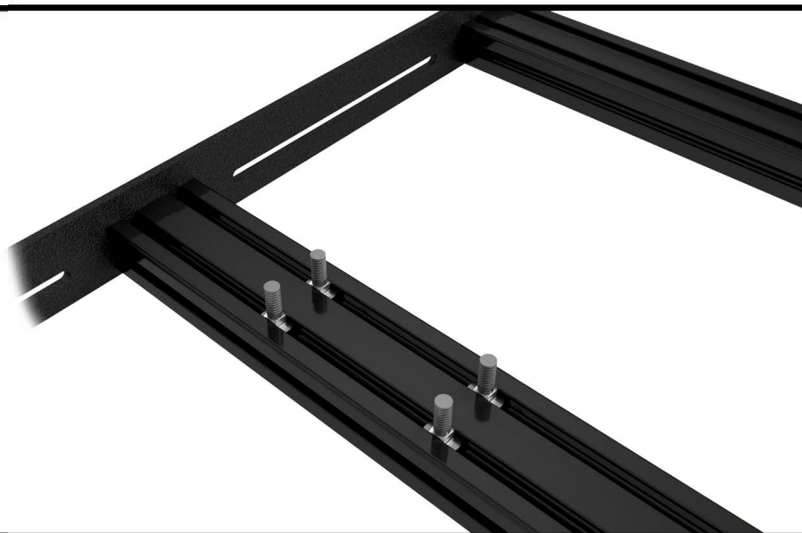
All products built and designed by Prinsu Design Studio are intended for off-road use and should be assembled, installed, and used according to Prinsu Design Studio's recommendations. Prinsu Design Studio products should be used safely with good judgment towards others and the environment. By installing Prinsu Design Studio Products on your vehicle you assume all liability. Prinsu Design Studio will not be held liable for damages or loss associated with the installation or use of its products. Be smart, use good judgement, don't overload your vehicle to the point of inferior handling and maneuverability!

TOP RACK INSTALLATION GUIDE

STEP 3: ATTACH MOUNTING FEET

DESCRIPTION:

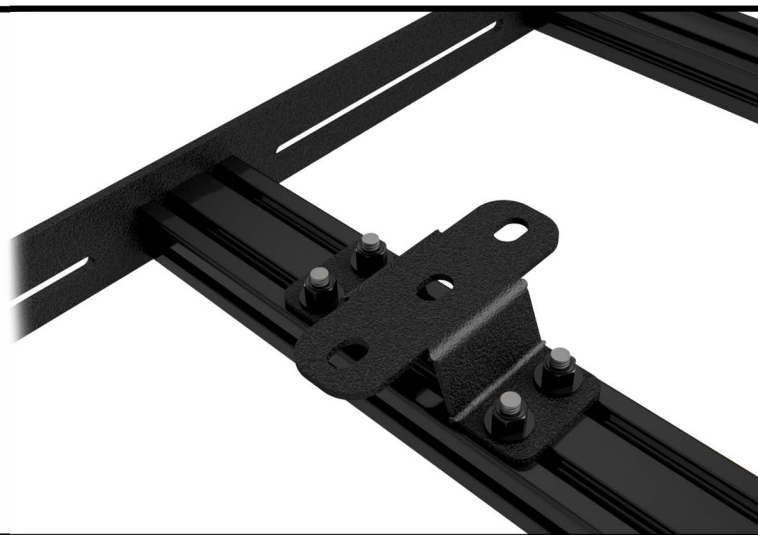
- FIRST INSERT THE CARRIAGE BOLTS INTO THE BOTTOM SIDE OF THE CROSSBAR
- MEASURE THE DISTANCE BETWEEN THE CENTER OF THE TRACKS ON YOUR SHELL. THEN PLACE THE MOUNTING FEET AT THAT DISTANCE ON THE CROSSBARS



STEP 4: ATTACH MOUNTING FEET CONT'D...

DESCRIPTION

- ONCE ALIGNED PLACE THE MOUNTING FEET OVER THE CARRIAGE BOLTS
- NEXT PLACE THE FLAT WASHERS AND FOLLOW WITH THE NYLON LOCK NUTS
- TIGHTEN WITH A 7/16" WRENCH



All products built and designed by Prinsu Design Studio are intended for off-road use and should be assembled, installed, and used according to Prinsu Design Studio's recommendations. Prinsu Design Studio products should be used safely with good judgment towards others and the environment. By installing Prinsu Design Studio Products on your vehicle you assume all liability. Prinsu Design Studio will not be held liable for damages or loss associated with the installation or use of its products. Be smart, use good judgement, don't overload your vehicle to the point of inferior handling and maneuverability!

TOP RACK INSTALLATION GUIDE

STEP 5: ATTACH STIFFENER BRACES

DESCRIPTION:

- THERE ARE FOUR STIFFENER BRACES INCLUDED WITH EVERY TOP ROCK
- ONE IS PLACED IN EACH CORNER OF THE RACK



STEP 6: ATTACH STIFFENER BRACES CONT'D...

DESCRIPTION

- ONCE ALIGNED PLACE THE STIFFENER BRACES OVER THE CARRIAGE BOLTS
- NEXT PLACE THE FLAT WASHERS AND FOLLOW WITH THE NYLON LOCK NUTS
- TIGHTEN WITH A 7/16" WRENCH



All products built and designed by Prinsu Design Studio are intended for off-road use and should be assembled, installed, and used according to Prinsu Design Studio's recommendations. Prinsu Design Studio products should be used safely with good judgment towards others and the environment. By installing Prinsu Design Studio Products on your vehicle you assume all liability. Prinsu Design Studio will not be held liable for damages or loss associated with the installation or use of its products. Be smart, use good judgement, don't overload your vehicle to the point of inferior handling and maneuverability!

TOP RACK INSTALLATION GUIDE

STEP 7: ATTACH SIDE RAILS

DESCRIPTION:

- WITH THE MOUNTING FEET AND STIFFENER BRACES INSTALLED YOU CAN NOW ATTACH THE SIDE RAILS
- TIGHTEN THE SIDE RAILS TO THE CROSSBARS WITH THE SUPPLIED MACHINE SCREWS FOLLOWED BY THE SPLIT LOCK WASHER AND THEN FLAT WASHER. TIGHTEN UNTIL THE LOCK WASHER IS COMPRESSED

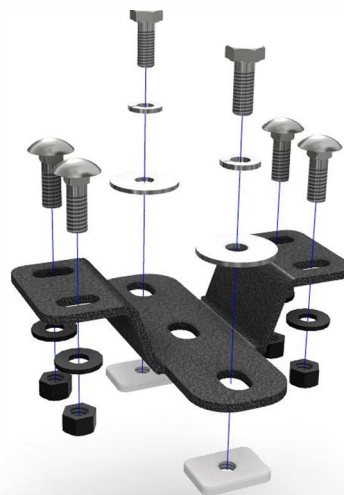


***NOTE:** The appropriate torque for a 1/4 - 20 grade two bolt is between 37 - 43 in-lbs. Which is approximately 3 ft- lbs. The heads will shear off between 15-20 ft-lbs.
Use caution when using power tools.

STEP 8: ATTACH ROOF RACK TO TRACKS

DESCRIPTION

- SLIDE THE SQUARE "A" PLATES INTO THE TRACK SYSTEM
- EACH MOUNTING FOOT REQUIRES TWO "A" PLATES



All products built and designed by Prinsu Design Studio are intended for off-road use and should be assembled, installed, and used according to Prinsu Design Studio's recommendations. Prinsu Design Studio products should be used safely with good judgment towards others and the environment. By installing Prinsu Design Studio Products on your vehicle you assume all liability. Prinsu Design Studio will not be held liable for damages or loss associated with the installation or use of its products. Be smart, use good judgement, don't overload your vehicle to the point of inferior handling and maneuverability!

TOP RACK INSTALLATION GUIDE

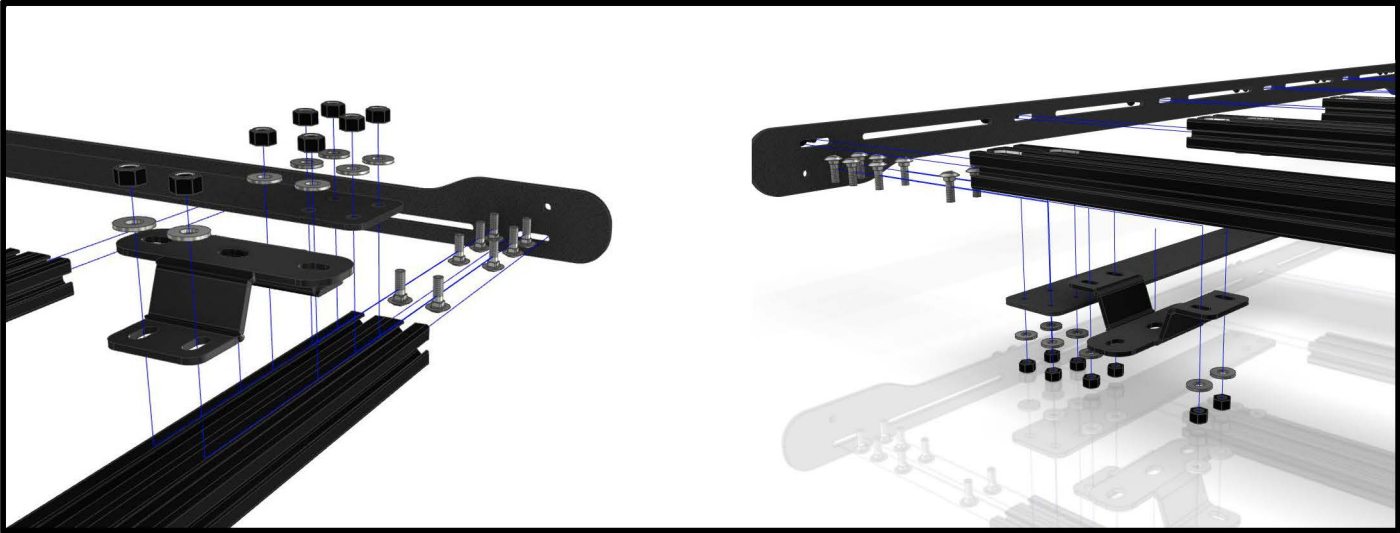
STEP 9: DOUBLE CHECK CONNECTIONS

DESCRIPTION:

- BEFORE YOUR FIRST DRIVE DOUBLE CHECK ALL FASTENERS TO ENSURE YOUR ROOF RACK FUNCTIONS CORRECTLY
- PERIODICALLY THERE AFTER CHECK THE FASTNERS TO ENSURE FULL FUNCTIONALITY



ADDITIONAL IMAGES



All products built and designed by Prinsu Design Studio are intended for off-road use and should be assembled, installed, and used according to Prinsu Design Studio's recommendations. Prinsu Design Studio products should be used safely with good judgment towards others and the environment. By installing Prinsu Design Studio Products on your vehicle you assume all liability. Prinsu Design Studio will not be held liable for damages or loss associated with the installation or use of its products. Be smart, use good judgement, don't overload your vehicle to the point of inferior handling and maneuverability!

PRINSU ROOF RACK INSTALLATION GUIDE

WARRANTY

PRINSU DESIGN STUDIO will warranty all PRINSU DESIGN STUDIO manufactured parts for a LIFETIME of use. This limited Lifetime Warranty is effective for as long as the original retail purchaser owns the product. This warranty terminates when the original retail purchaser sells or otherwise transfers the product to any other person. Each manufactured product must be installed following PRINSU DESIGN STUDIO'S recommended fitment and installation procedures. Any customization or modification to the original product design, functionality, or use, either by said customer or by PRINSU DESIGN STUDIO voids all warranty eligibility. It is the sole discretion of CBI Offroad to determine warranty eligibility. Subject to the limitations and exclusions described in this warranty, PRINSU DESIGN STUDIO will remedy defects in materials or workmanship by repairing or replacing, at its option, a defective product without charge for parts. In addition, PRINSU DESIGN STUDIO may elect, at its option, not to repair or replace a defective product but rather issue to a purchaser a refund equal to the purchase price paid for the product or a credit to be used toward the purchase of a new PRINSU DESIGN STUDIO product. No warranty is given for defects caused by normal wear and tear, cosmetic rust scratches, accidents, unlawful vehicle operation, products used for racing or competition, or modification of, or any types of repair of, a PRINSU DESIGN STUDIO manufactured product. The PRINSU DESIGN STUDIO Warranty does not include the powder coated finish. No warranty is given for defects resulting from conditions beyond PRINSU DESIGN STUDIO'S control including, but not limited to, misuse, neglect, overloading, improperly maintained or failure to assemble, mount or use the product in accordance with PRINSU DESIGN STUDIO'S written instructions or guidelines included with the product or implied use made available to the purchaser.

DISCLAIMER OF LIABILITY REPAIR OR REPLACEMENT OF A DEFECTIVE PRODUCT OR THE ISSUANCE OF A REFUND OR CREDIT (AS DETERMINED BY PRINSU DESIGN STUDIO) IS A PURCHASER'S EXCLUSIVE REMEDY UNDER THIS WARRANTY. DAMAGE TO A PURCHASER'S VEHICLE, CARGO AND/OR TO ANY OTHER PERSON OR PROPERTY IS EXCLUDED. THIS WARRANTY IS EXPRESSLY MADE IN LIEU OF ANY AND ALL OTHER WARRANTIES, EXPRESS OR IMPLIED, INCLUDING THE WARRANTIES OF MERCHANTABILITY AND FITNESS FOR A PARTICULAR PURPOSE. PRINSU DESIGN STUDIO'S SOLE LIABILITY TO ANY PURCHASER IS LIMITED TO THE REMEDY SET FORTH ABOVE. IN NO EVENT WILL PRINSU DESIGN STUDIO BE LIABLE FOR ANY LOST PROFITS, LOST SALES, OR FOR ANY CONSEQUENTIAL, DIRECT, INDIRECT, INCIDENTAL, SPECIAL, EXEMPLARY, OR PUNITIVE DAMAGES OR FOR ANY OTHER DAMAGES OF ANY KIND OR NATURE