

START HERE!

READ ME FIRST

Don't be a hero and muscle through this installation without reading these fitting instructions first! Improper installation of this gear may void certain aspects of your warranty.

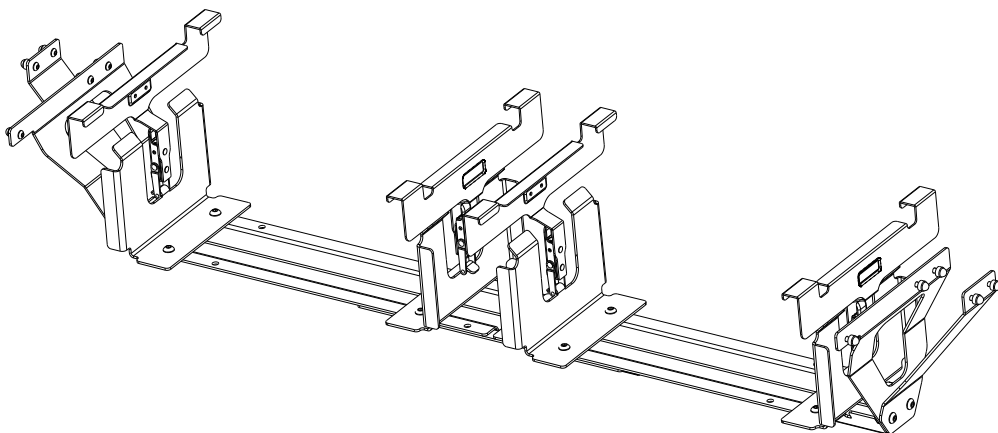
Before you begin, take a moment and open all your Front Runner rack kit boxes and gather the assembly instructions for the various components.

A complete kit will contain:

1. A Front Runner Mounting System specific to your vehicle
2. A Front Runner Rack Tray or Load Bar Slats

This document will guide you through the assembly of the mounting system and assist you in fitting the roof rack tray or load bars to your specific vehicle.

Please refer to the next page for a list of all the components, quantities and tools required.



IMPORTANT WARNING! ⚠

IT IS CRITICAL THAT ALL FRONT RUNNER PRODUCTS BE PROPERLY AND SECURELY ASSEMBLED AND ATTACHED TO YOUR VEHICLE. IMPROPER ATTACHMENT COULD RESULT IN AN AUTOMOBILE ACCIDENT, AND COULD CAUSE SERIOUS BODILY INJURY OR DEATH. YOU ARE RESPONSIBLE FOR ASSEMBLING AND SECURING ALL FRONT RUNNER PRODUCTS TO YOUR VEHICLE, CHECKING THE ATTACHMENTS PRIOR TO USE, AND PERIODICALLY INSPECTING THE PRODUCTS FOR ADJUSTMENT, WEAR AND DAMAGE. THEREFORE, YOU MUST READ AND UNDERSTAND ALL OF THE INSTRUCTIONS AND PRECAUTIONS SUPPLIED WITH YOUR FRONT RUNNER PRODUCT PRIOR TO INSTALLATION OR USE. IF YOU DO NOT UNDERSTAND ALL OF THE INSTRUCTIONS AND CAUTIONS, OR IF YOU HAVE NO MECHANICAL EXPERIENCE AND ARE NOT THOROUGHLY FAMILIAR WITH THE INSTALLATION PROCEDURES, YOU SHOULD HAVE THE PRODUCT INSTALLED BY A PROFESSIONAL INSTALLER OR OTHER QUALIFIED PERSONNEL.

NOTE: Front Runner will not be responsible for any damage caused by the failure to install the product according to these instructions.

Please call us if you have any questions about the installation of this product.

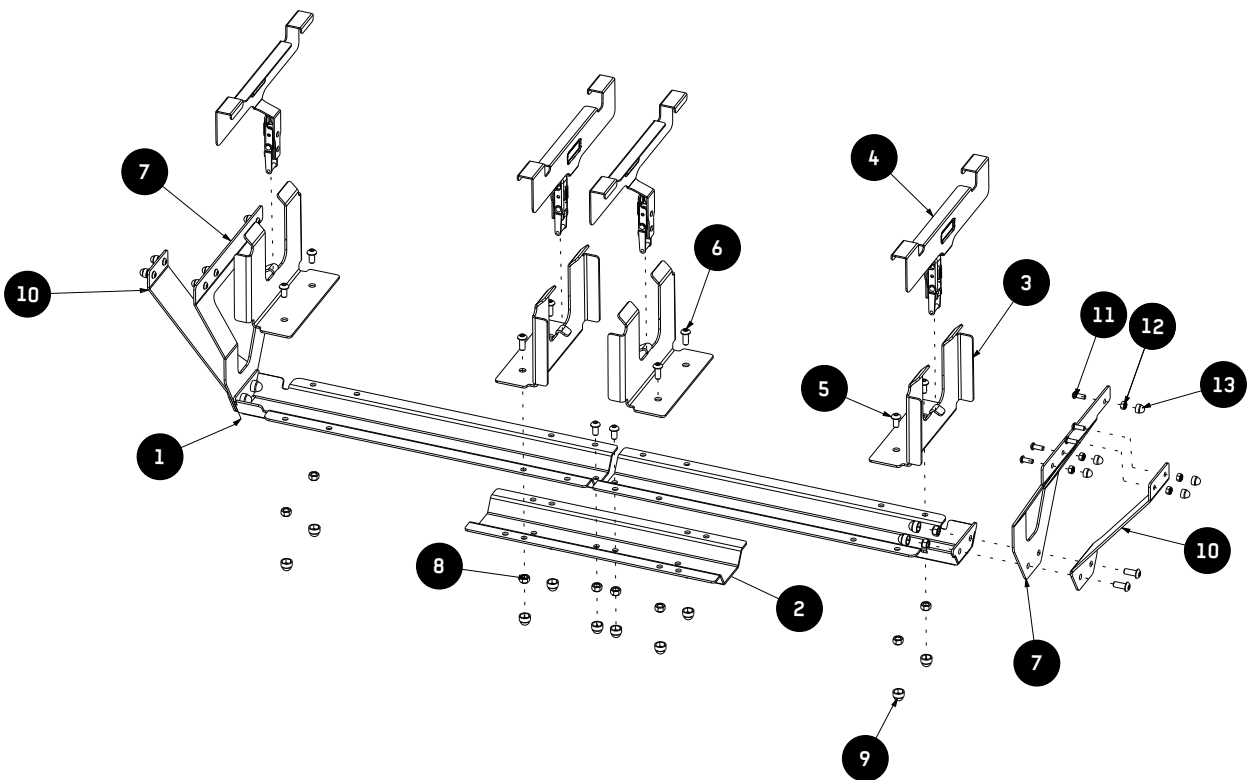


1 GET ORGANIZED

IN THE BOX

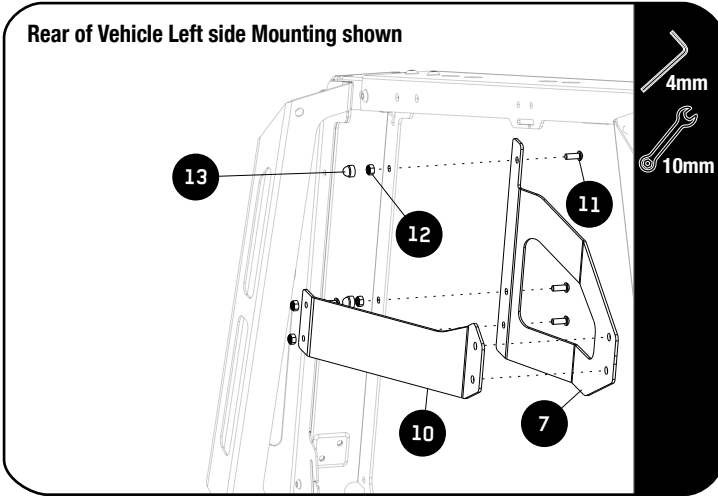
1	2 X	U-CHANNEL SUPPORT
2	1 X	U-CHANNEL SUPPORT JOINER
3	4 X	WOLF PACK MOUNT
4	4 X	WOLF PACK CLAMP BRACKET
5	6 X	M8 X 16 BUTTON HEAD SCREW
6	6 X	M8 X 20 BUTTON HEAD SCREW
7	2 X	MOUNT BRACKET 1 LH & 1 RH
8	14 X	M8 NYLOC NUT
9	14 X	M8 NUT CAP
10	2 X	STIFFENER BRACKET 1 LH & 1 RH
11	10 X	M6 X 16 BUTTON HEAD SCREW
12	10 X	M6 NYLOC NUT
13	10 X	M6 NUT CAP

TOOLS NEEDED



2.1

Rear of Vehicle Left side Mounting shown



Loosely fit the Mount Bracket RH (Item 7) to the inside of the leg mount as shown using M6 x 16 Button head screw and M6 nyloc nut (Item 11 & 12). DO NOT TIGHTEN.

Loosely fit the Stiffener bracket RH (Item 10) to the outside of the leg mount as shown using M6 x 16 Button head screw and M6 Nyloc Nut (Item 11 & 12). DO NOT TIGHTEN.

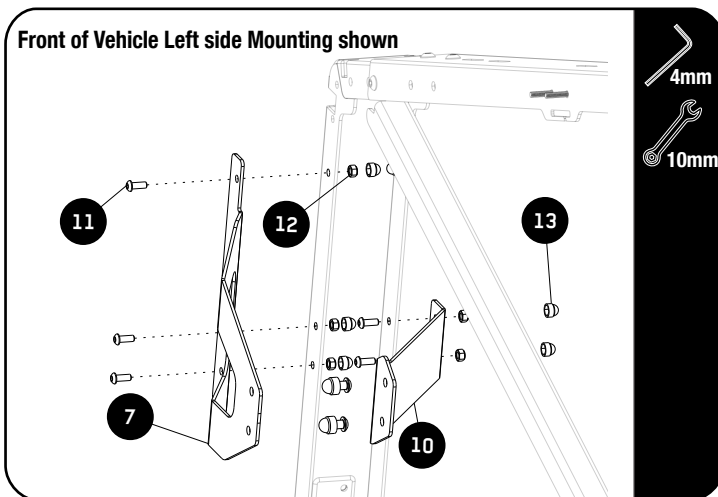


Tightening Torque:

M6 : 8-10Nm / 5.9 ft lb - 7.38 ft lb

2.2

Front of Vehicle Left side Mounting shown



Loosely fit the Mount Bracket RH (Item 7) to the inside of the leg mount as shown using M6 x 16 Button head screw and M6 nyloc nut (Item 11 & 12). DO NOT TIGHTEN.

Loosely fit the Stiffener bracket RH (Item 10) to the outside of the leg mount as shown using M6 x 16 Button head screw and M6 Nyloc Nut (Item 11 & 12). DO NOT TIGHTEN.



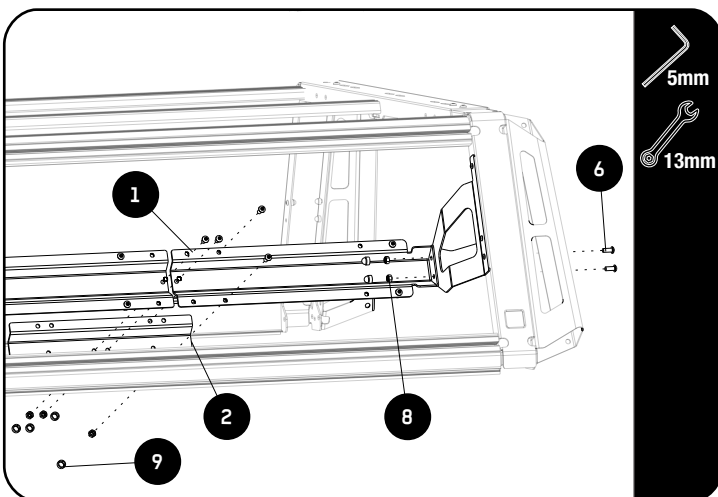
Front Stiffener bracket (Item 10) not required when PBAC002 molle panel is installed.



Tightening Torque:

M6 : 8-10Nm / 5.9 ft lb - 7.38 ft lb

2.3



Loosely assemble the two U-Channel Brackets (item 1) to the Support Brackets fitted in 2.1 using the M8 x 20 Button Head Screw and M8 Nyloc Nut (Item 6 & 8).

Loosely assemble the U-Channel Joiner Bracket (Item 2) centrally to the U-Channel Brackets as shown using the M8 x 16 Button Head Screw and M8 Nyloc Nuts (Item 5 & 8).

Fully tighten all the M6 fasteners from STEP 2.1 & 2.2 before continuing to next step

Once all the fasteners are in place fully tighten all the M8 Button Head screws and M8 Nyloc nuts.

Place the M8 Nut Caps (Item 9) on the M8 Nylc Nuts.



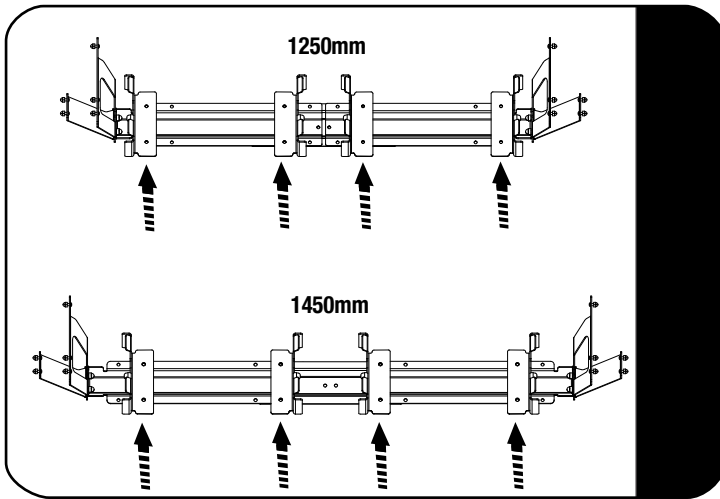
Tightening Torque:

M8 : 15-20Nm / 11.06 ft lb - 14.75 ft lb

2

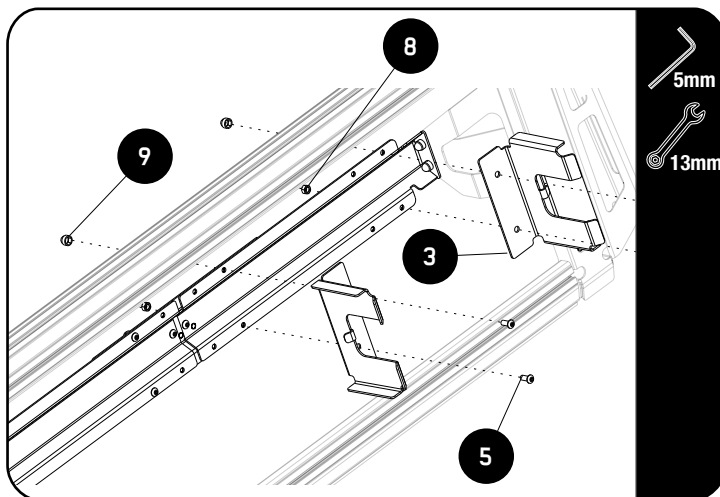
FIT AND SECURE

2.4



Take note of the Wolf Pack Mounting Brackets positions for 1250mm and 1450mm length extrusion.

2.5



Fit the Wolf Pack Mounting Bracket (Item 3) to the U-Channel Brackets as shown using the M8 x 16 Button Head Screw and M8 Nyloc Nut (Item 5 & 8).

Fully tighten the M8 x 16 Button Head Screw and M8 Nyloc Nut.

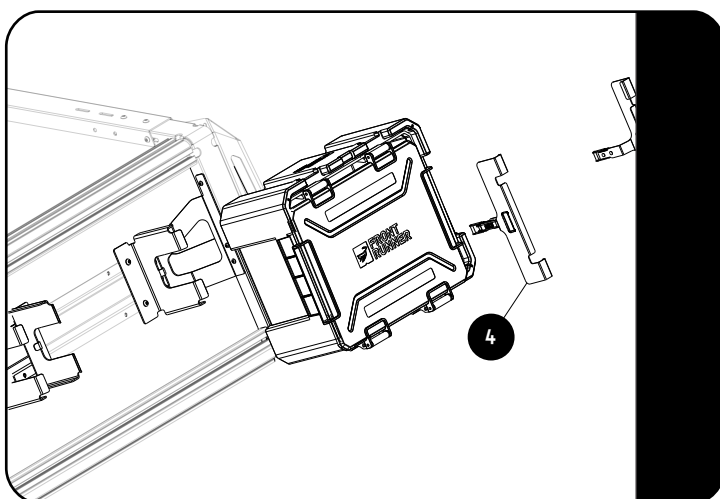
Place the M8 Nut Caps (Item 9) on the M8 Nyloc Nuts.



Tightening Torque:

M8 : 15-20Nm / 11.06 ft lb - 14.75 ft lb

2.6

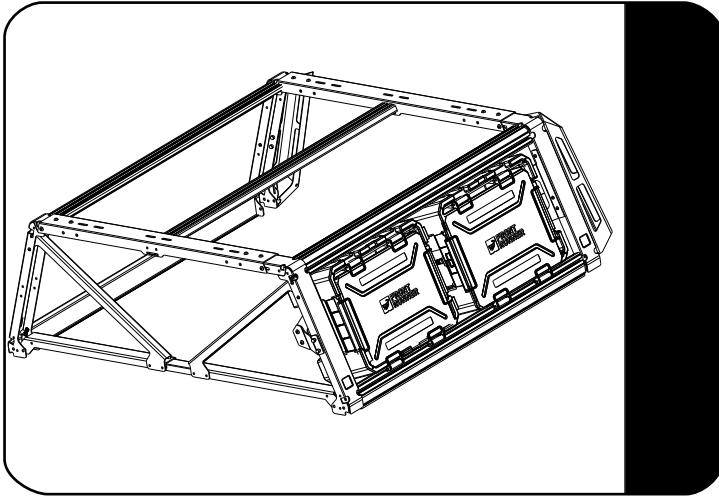


Fit your Pro Wolf Pack to the Wolf Pack Bracket using the Wolf Pack Clamping Bracket (Item 4) and secure in place using the latch.

2

FIT AND SECURE

2.7



Repeat step 2.5 to secure a second Pro Wolf Pack.

RRAC134 - Rack accessory Lock (Sold Separately) can be used to secure the Pro Wolf Packs.

3

COMPLETION

3.1

Congratulations! You did it. Take a step back and admire your work!



4

INSTALL OTHER VEHICLE AND RACK ACCESSORIES

Now's the time to visit your favorite Front Runner dealer in person or online.

IMPORTANT!

FRONT RUNNER RACK KITS OFTEN HAVE A HIGHER LOAD RATING THAN THE VEHICLES THEY ARE MOUNTED TO. PLEASE REFER TO YOUR SPECIFIC VEHICLE MANUFACTURER FOR A RECOMMENDED ROOF RATING. FRONT RUNNER CANNOT BE RESPONSIBLE FOR IMPROPER LOADING BEYOND THE VEHICLE MANUFACTURER'S STATED LOAD CAPACITY.

Be sure to tag us. We love to see our gear in action! #FrontRunnerOutfitters #BornToRoam

Share your adventures on:  